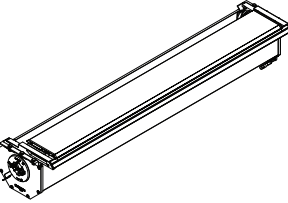
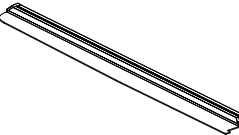
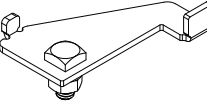
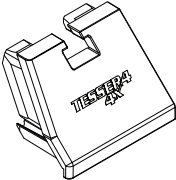
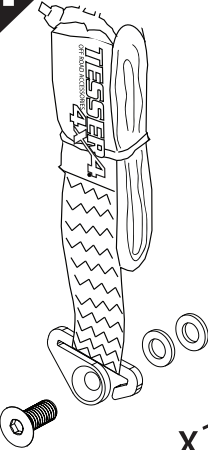

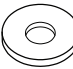


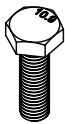
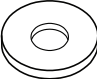
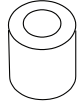

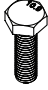
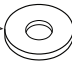

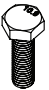
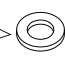
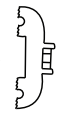

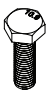
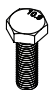



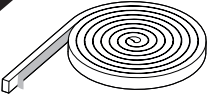
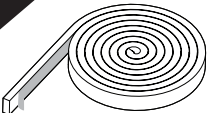
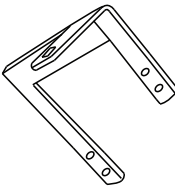
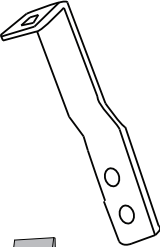


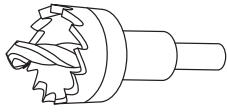
Installation Manual

PART NUMBER(S)	Model Year
TESS 15161 SE	Toyota Hilux (Revo) 2016+ WITH OEM ROLL BAR
Cab(s)	Installation Time / Weight
Double Cab	40-60 minutes / 53-57 kg

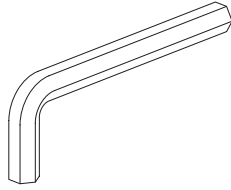
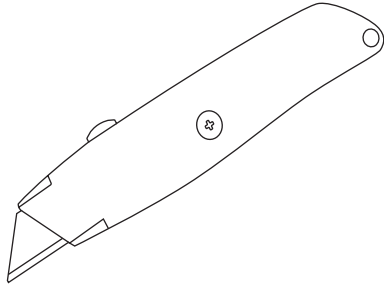
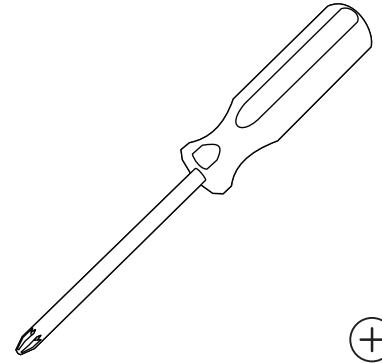
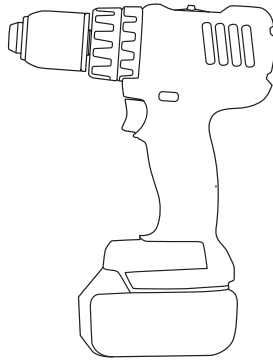
<p>A</p>  <p>x1</p>	<p>B</p>  <p>x2</p>	<p>C</p>  <p>M8 x2</p>	<p>D</p>  <p>M 4,2 x 19 x2</p>	<p>D1</p>  <p>x1</p>
--	---	--	---	--

<p>E x4</p>  <p>M8x25</p>  <p>Ø8</p>  <p>M8</p>  <p>M8</p>	<p>E1</p>  <p>4x M10x40</p>  <p>4x Ø10</p>  <p>2x 18mm</p>	<p>E2</p>  <p>8xM8</p>  <p>6x M8x30</p>  <p>4x Ø8</p>  <p>2x M8</p>  <p>2x M8x35</p>  <p>6x Ø8</p>  <p>x2</p>	<p>E3</p>  <p>6x M8</p>  <p>4x M8x30</p>  <p>2x M8x35</p>  <p>6x Ø8</p>  <p>x2</p>
--	---	--	---

<p>F</p>  <p>x2</p>	<p>G1 x1</p>  <p>1.5 x 0.8 x 400cm</p> <p>G2 x1</p>  <p>5 x 0.8 x 167cm</p>	<p>H</p>  <p>x2</p>	<p>I</p>  <p>x2</p>
---	---	---	--

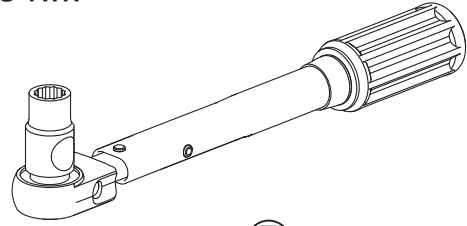


Ø 25 mm / Ø 40 mm



4, 5 mm

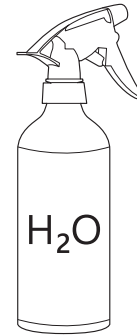
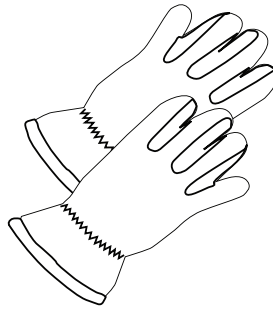
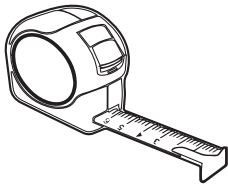
1 - 25 Nm



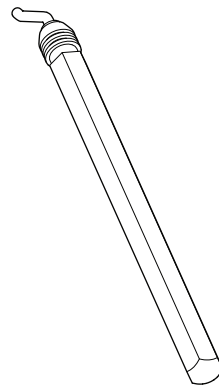
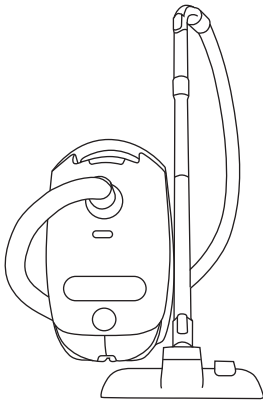
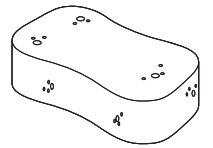
13, 17 mm



ACETONE



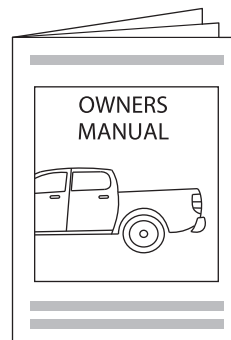
H₂O



ANTI-RUST

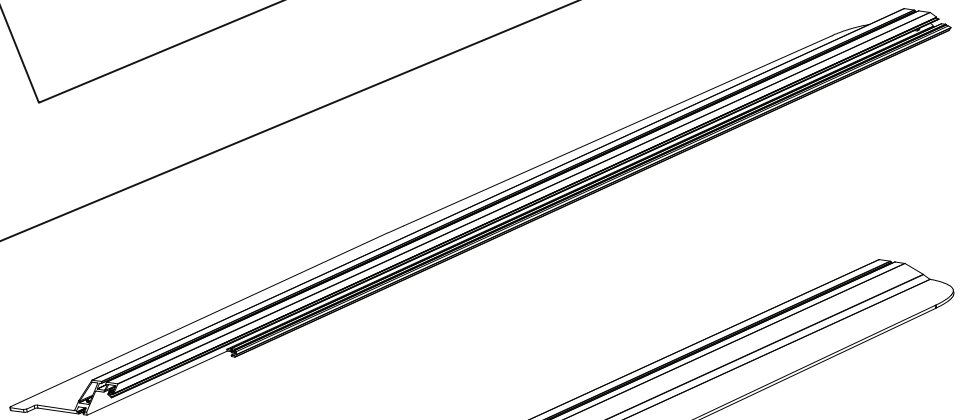
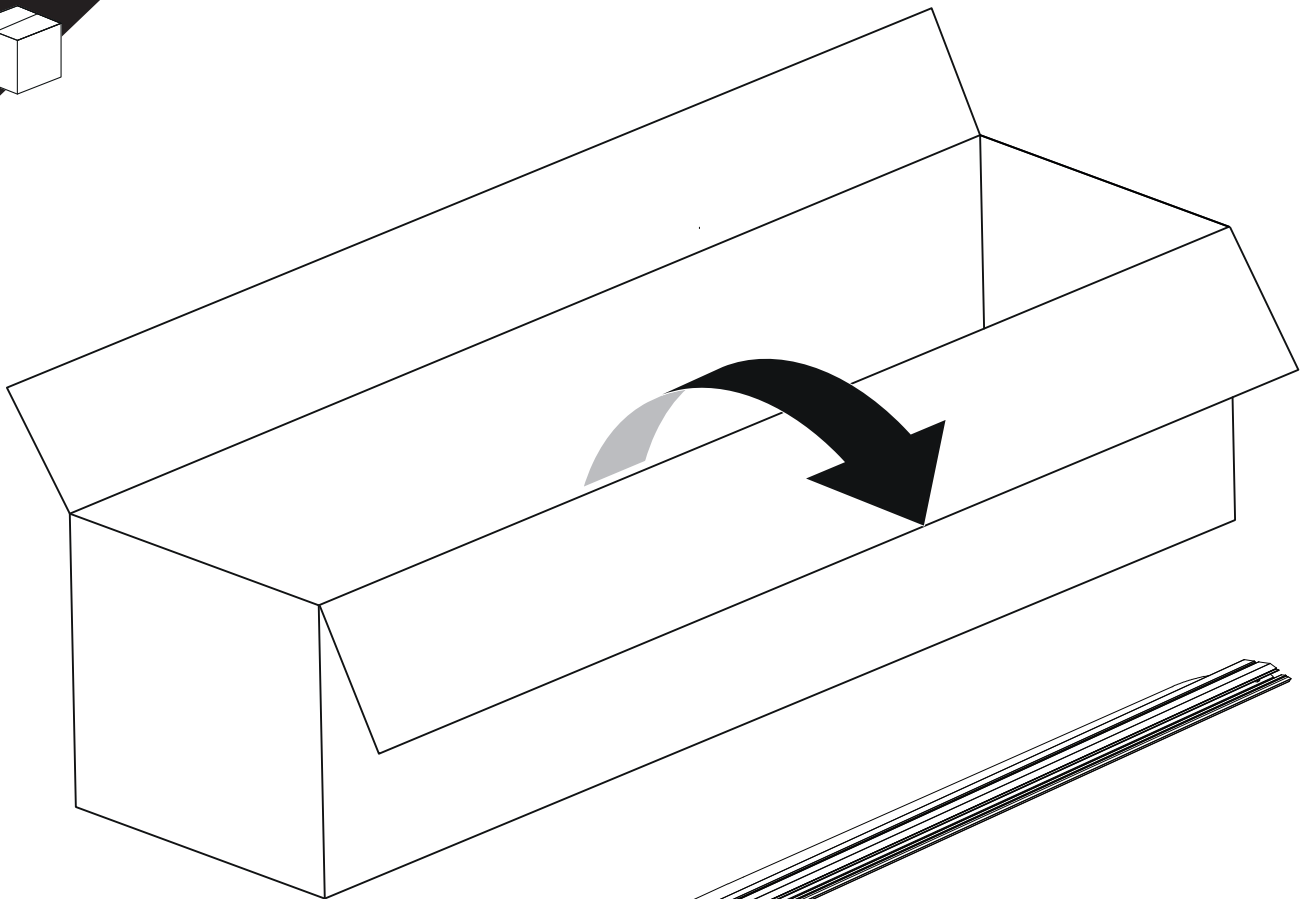


INSTALLATION
MANUAL

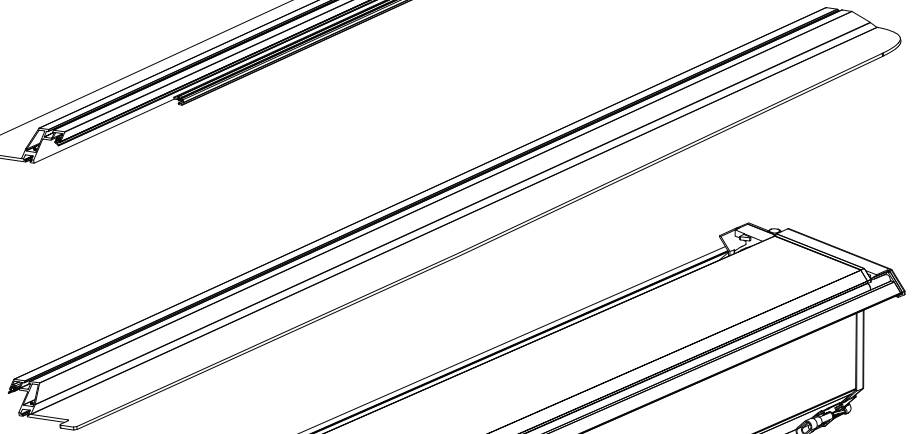


OWNERS
MANUAL

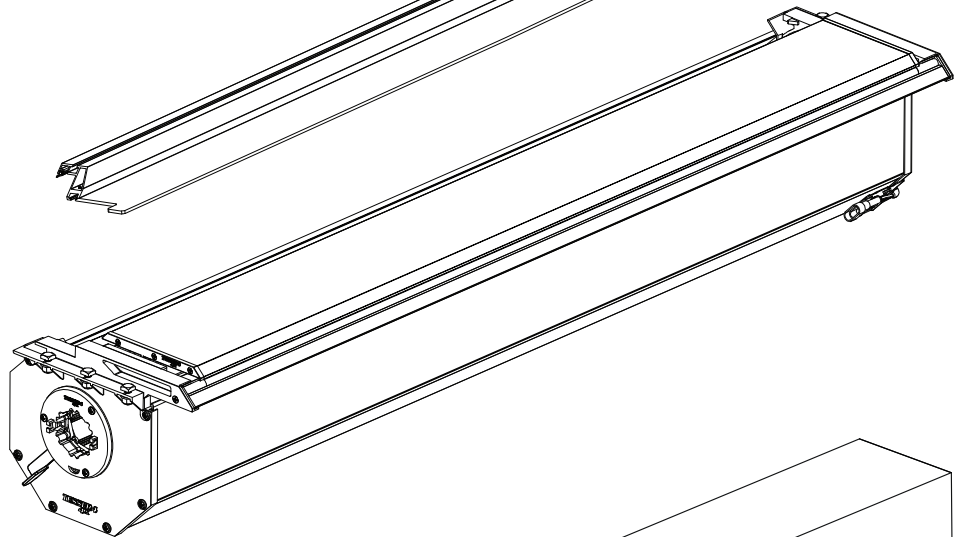
x1



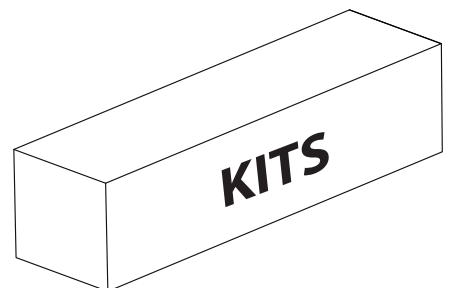
B



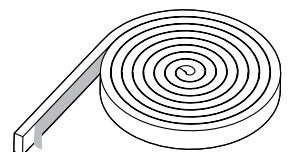
A

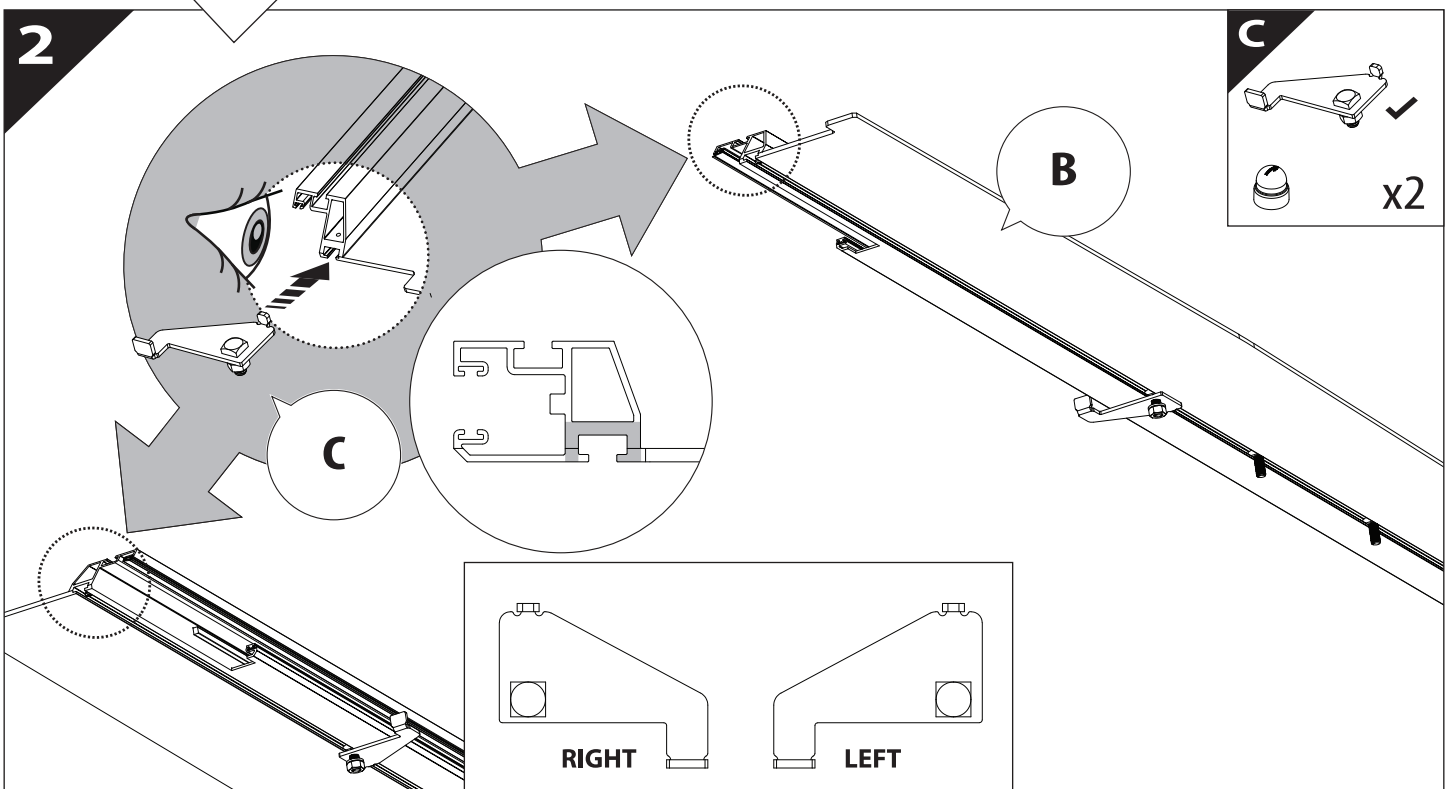
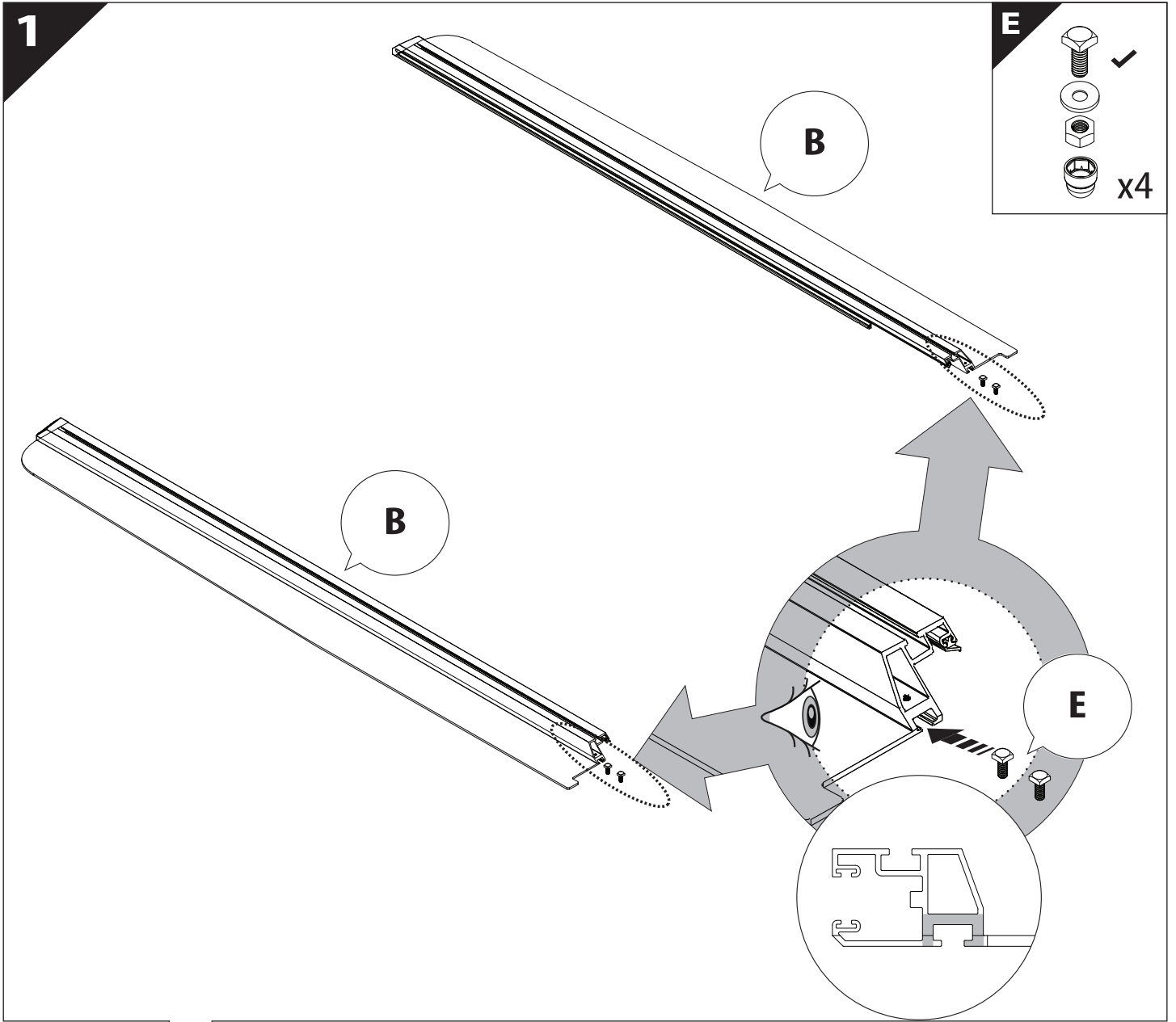


KITS

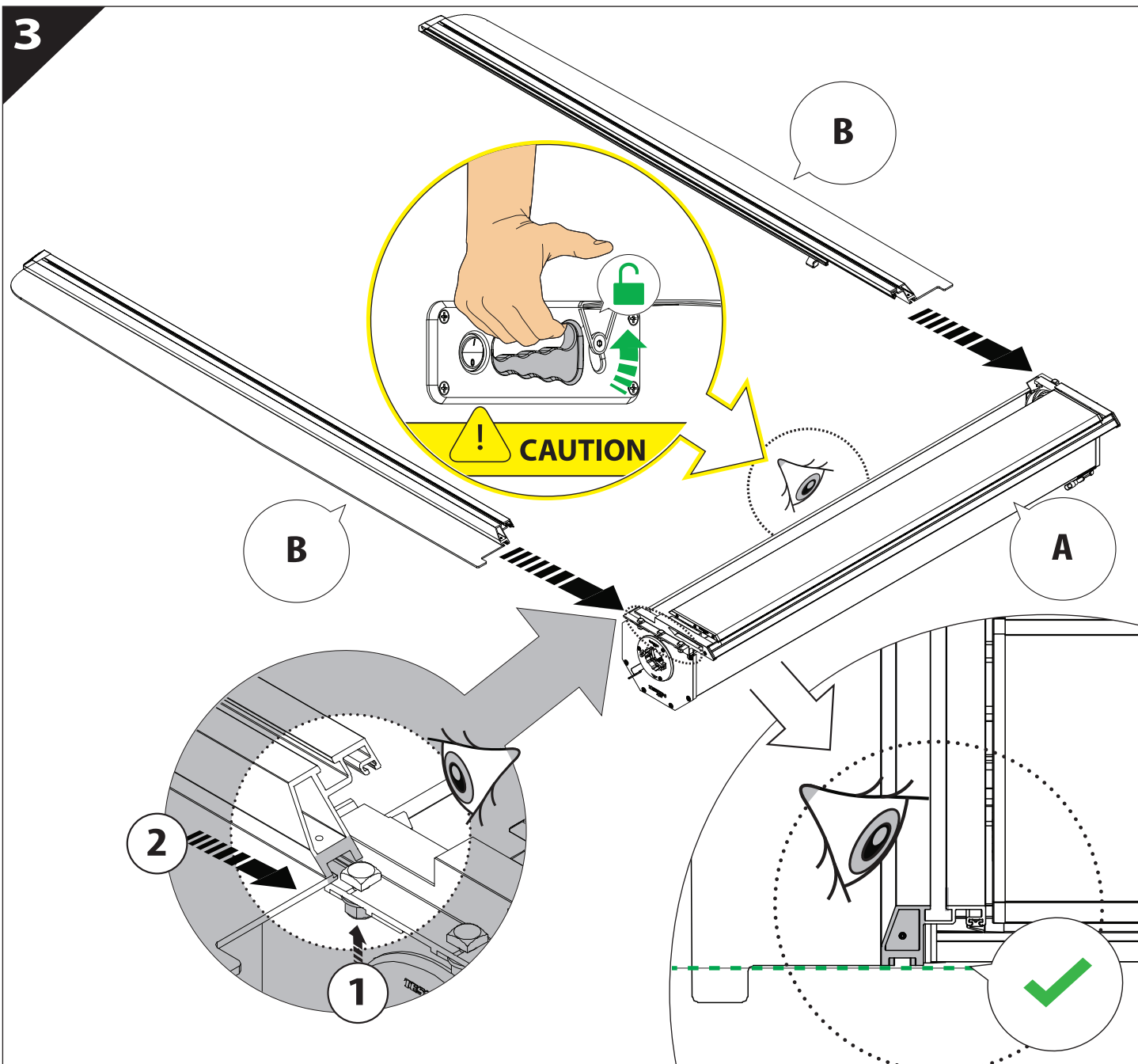


G

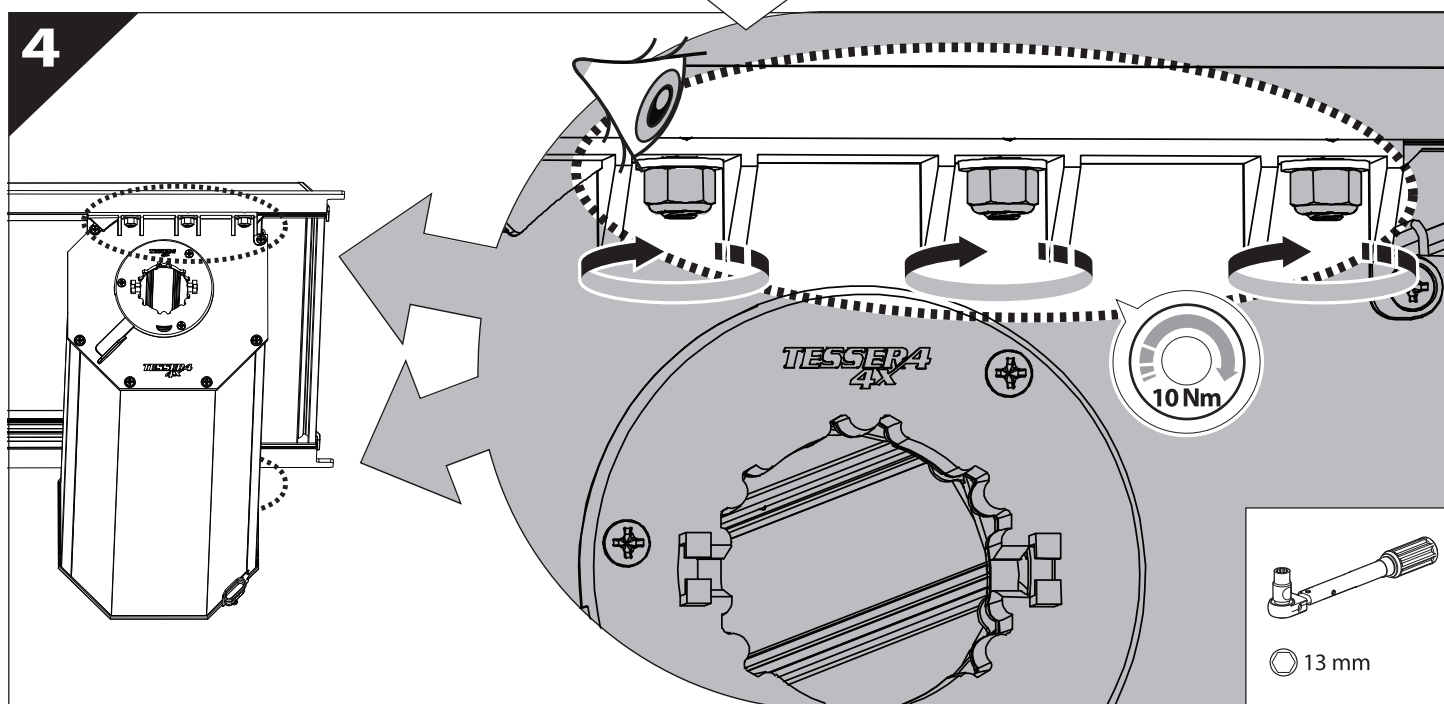




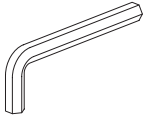
3



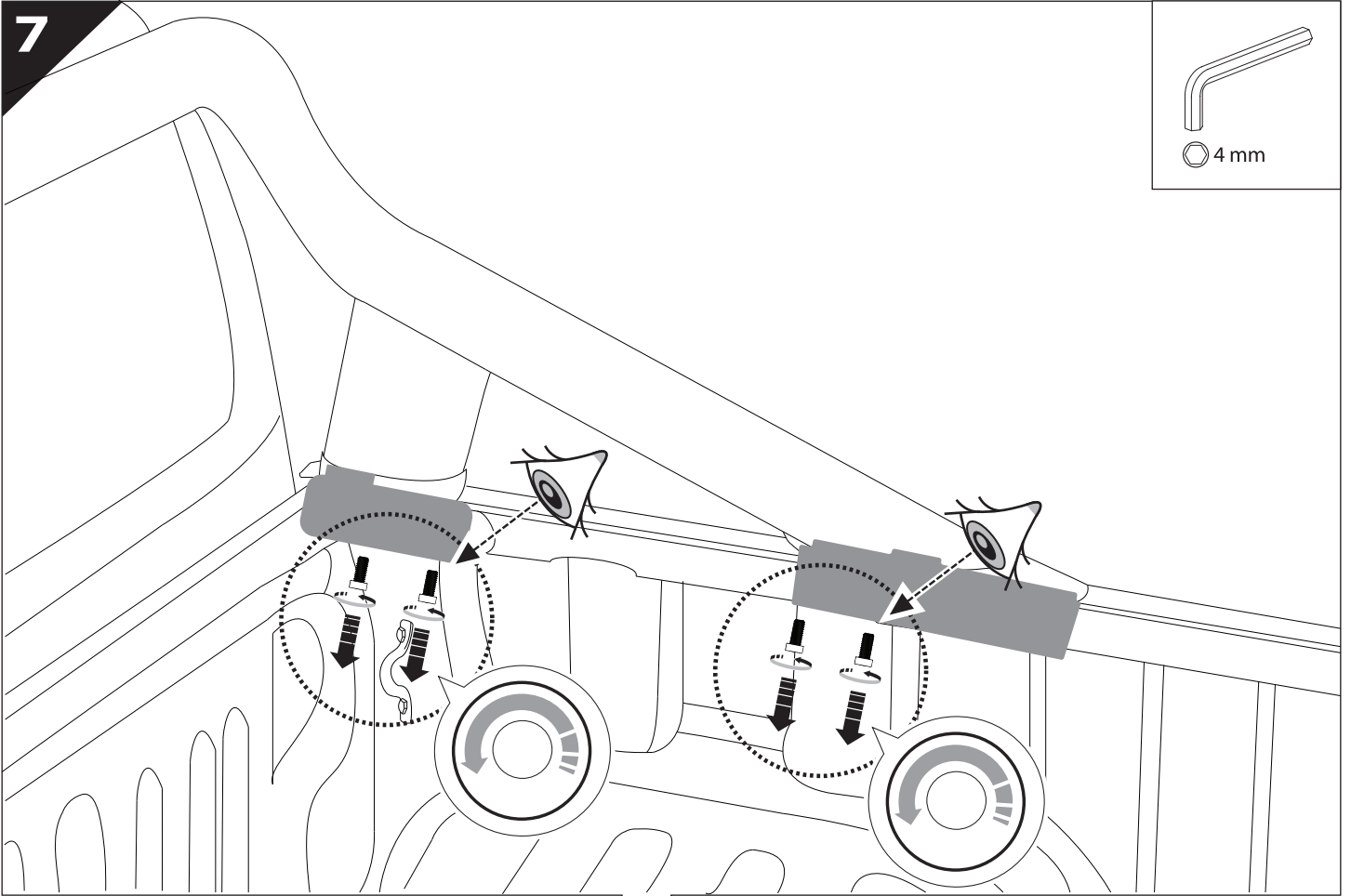
4



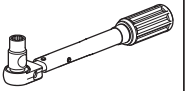
7



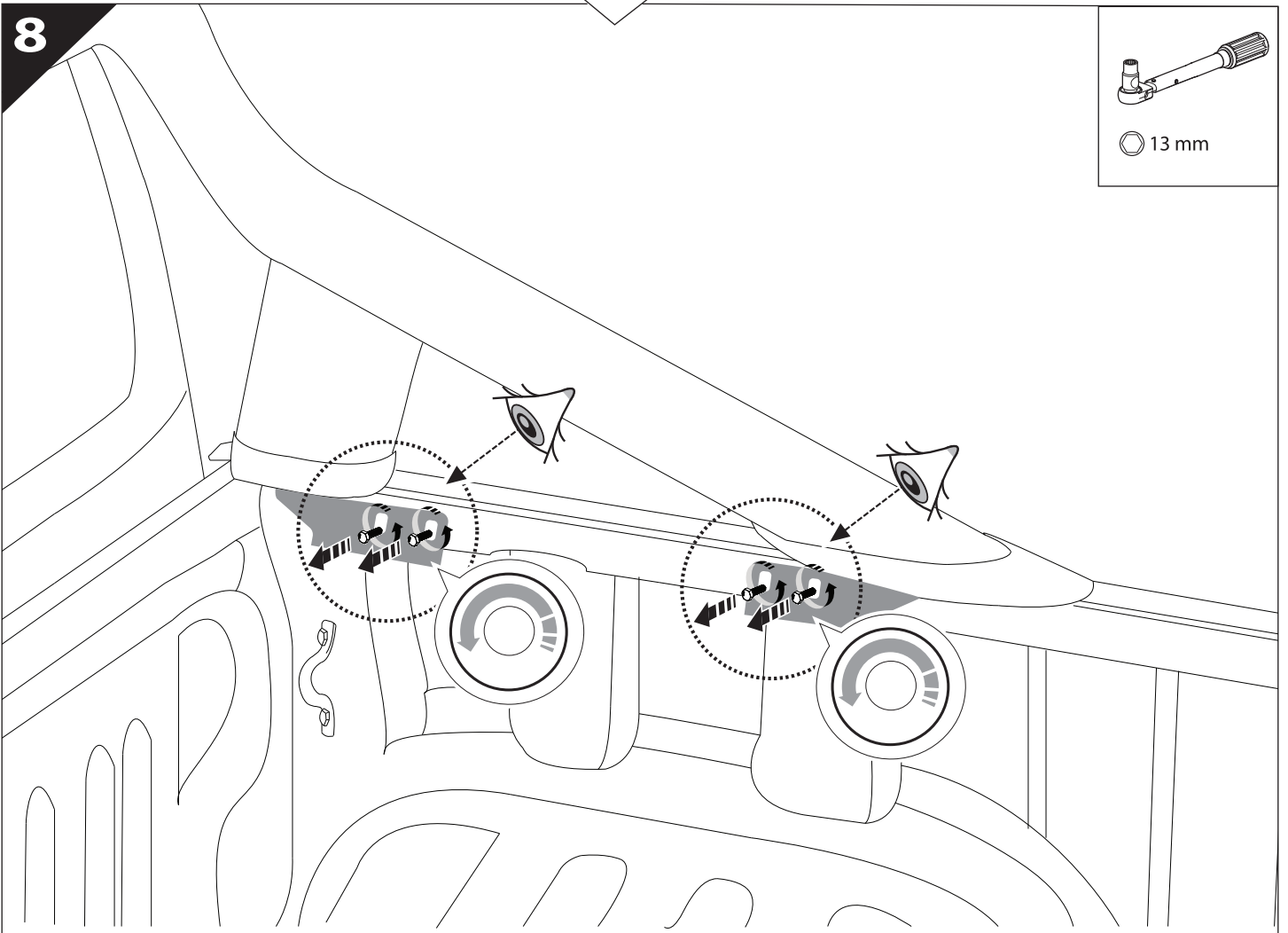
4 mm



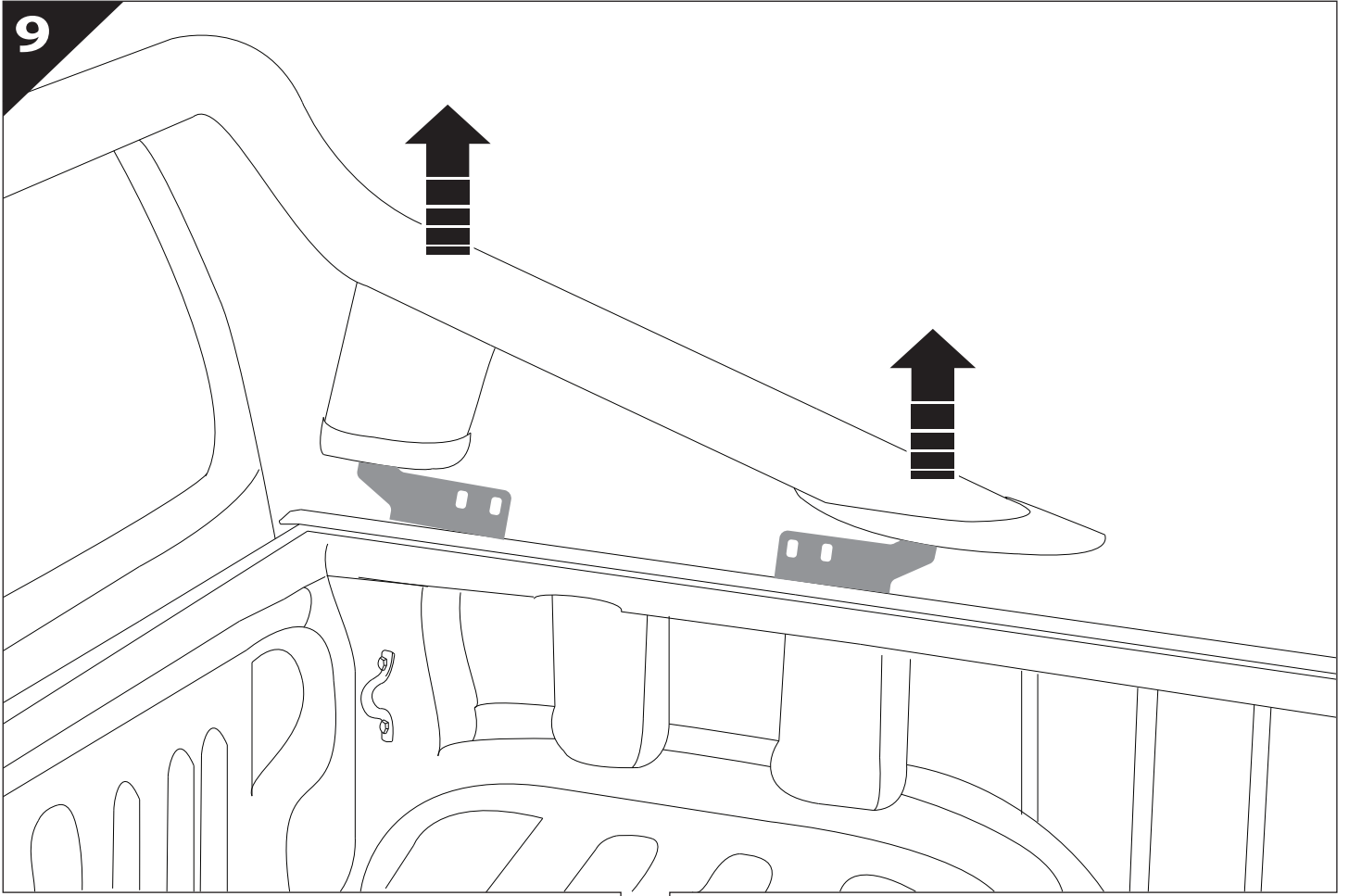
8



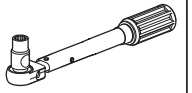
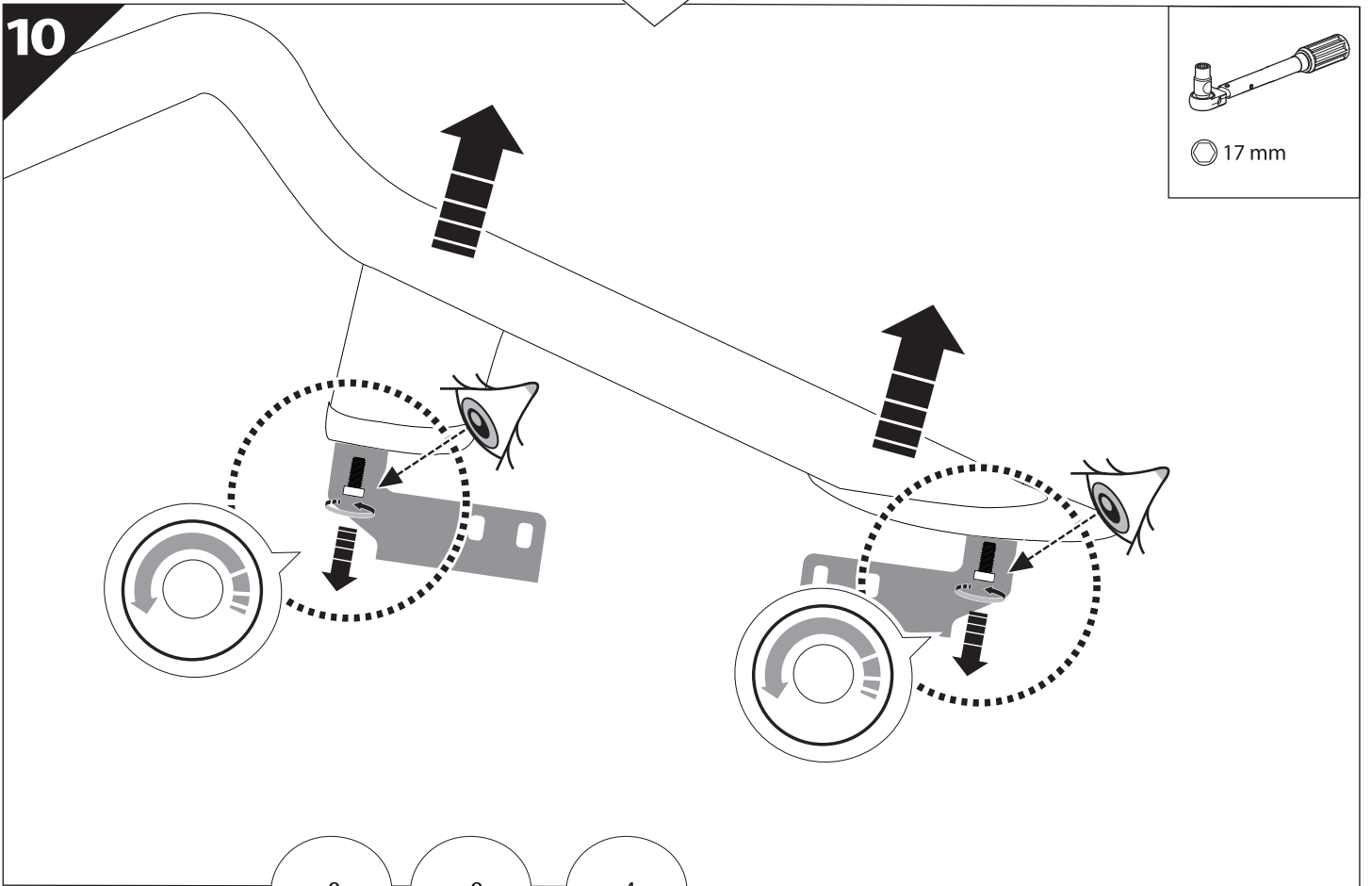
13 mm



9



10

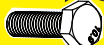


17 mm

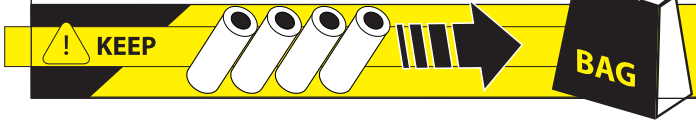
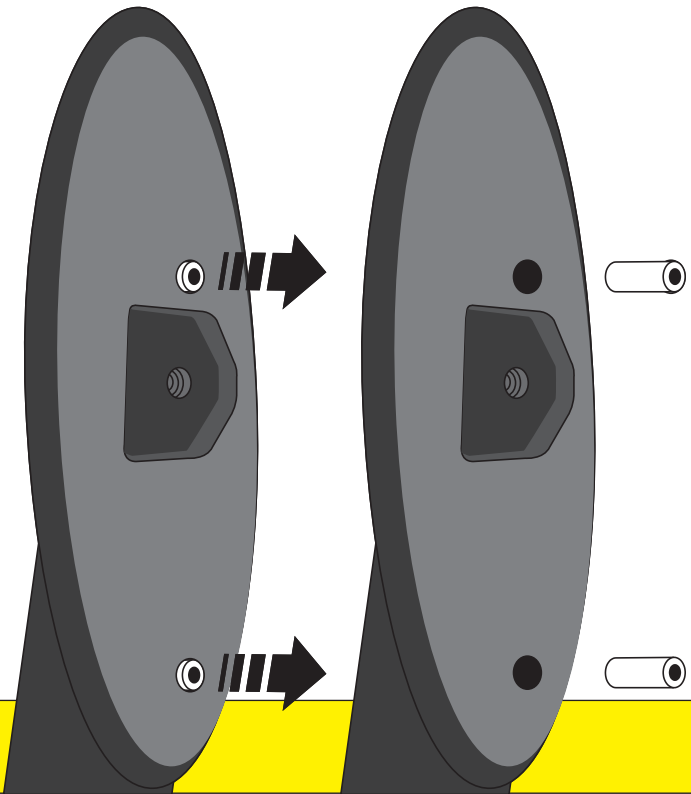
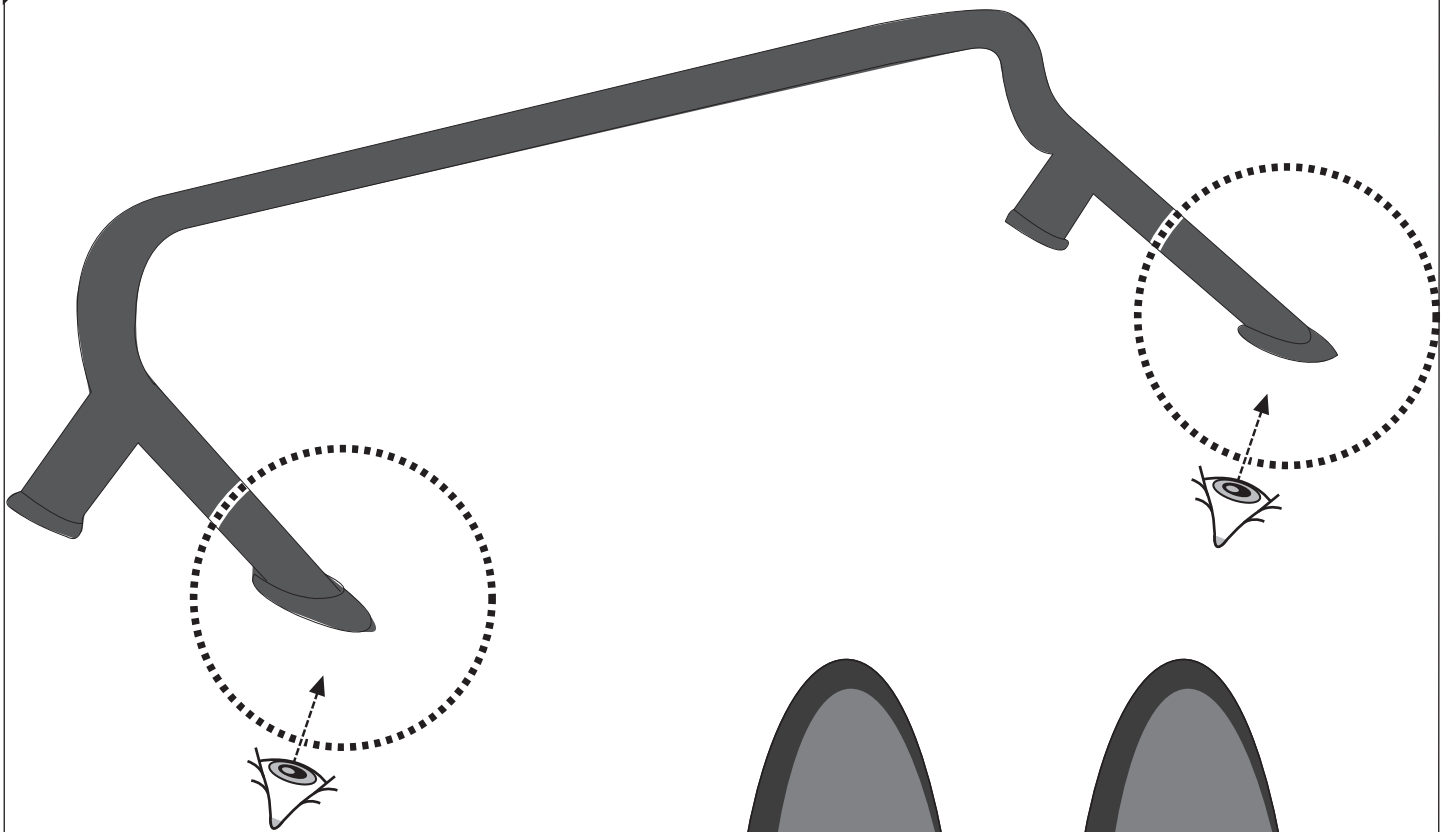
x8

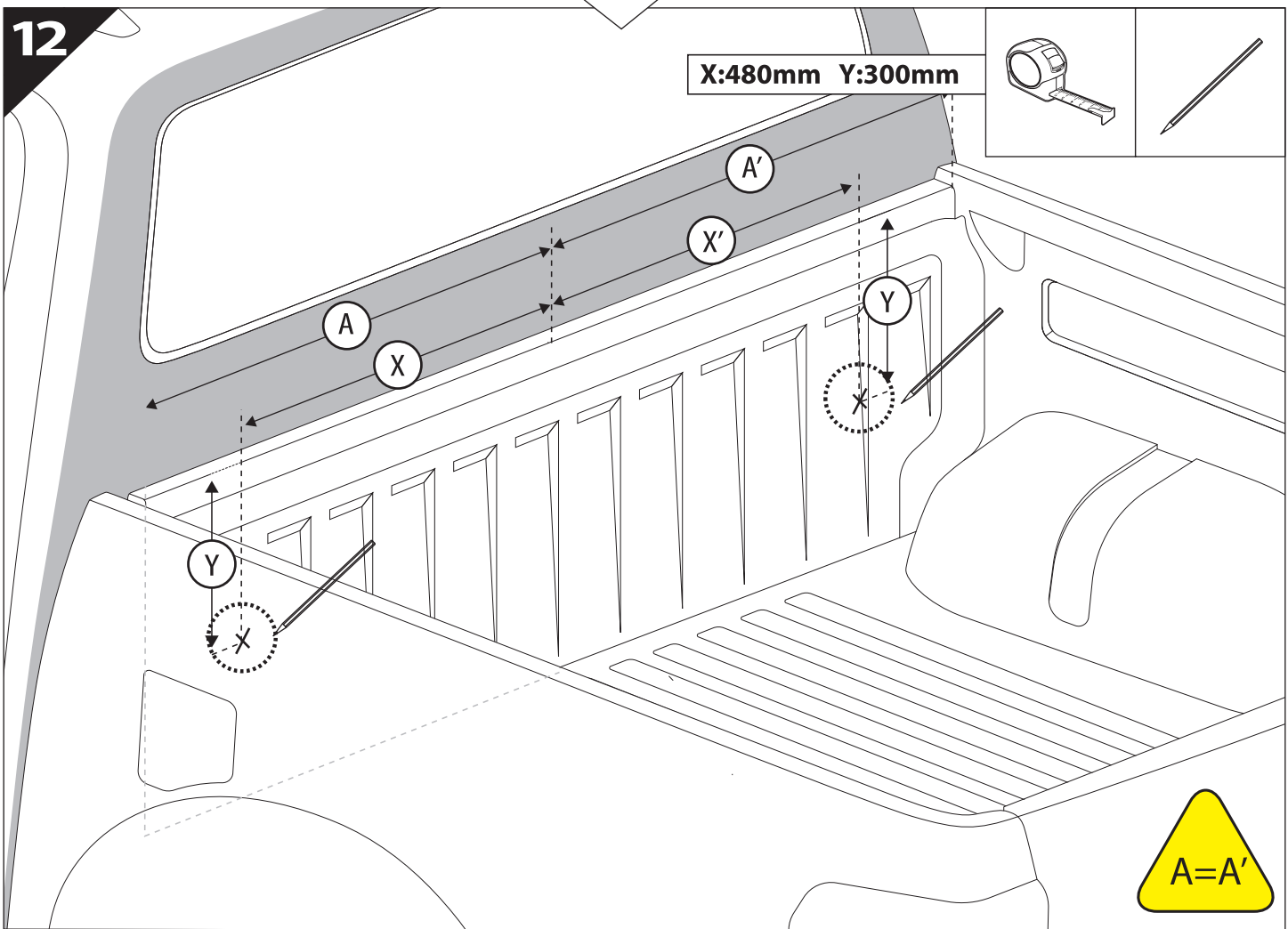
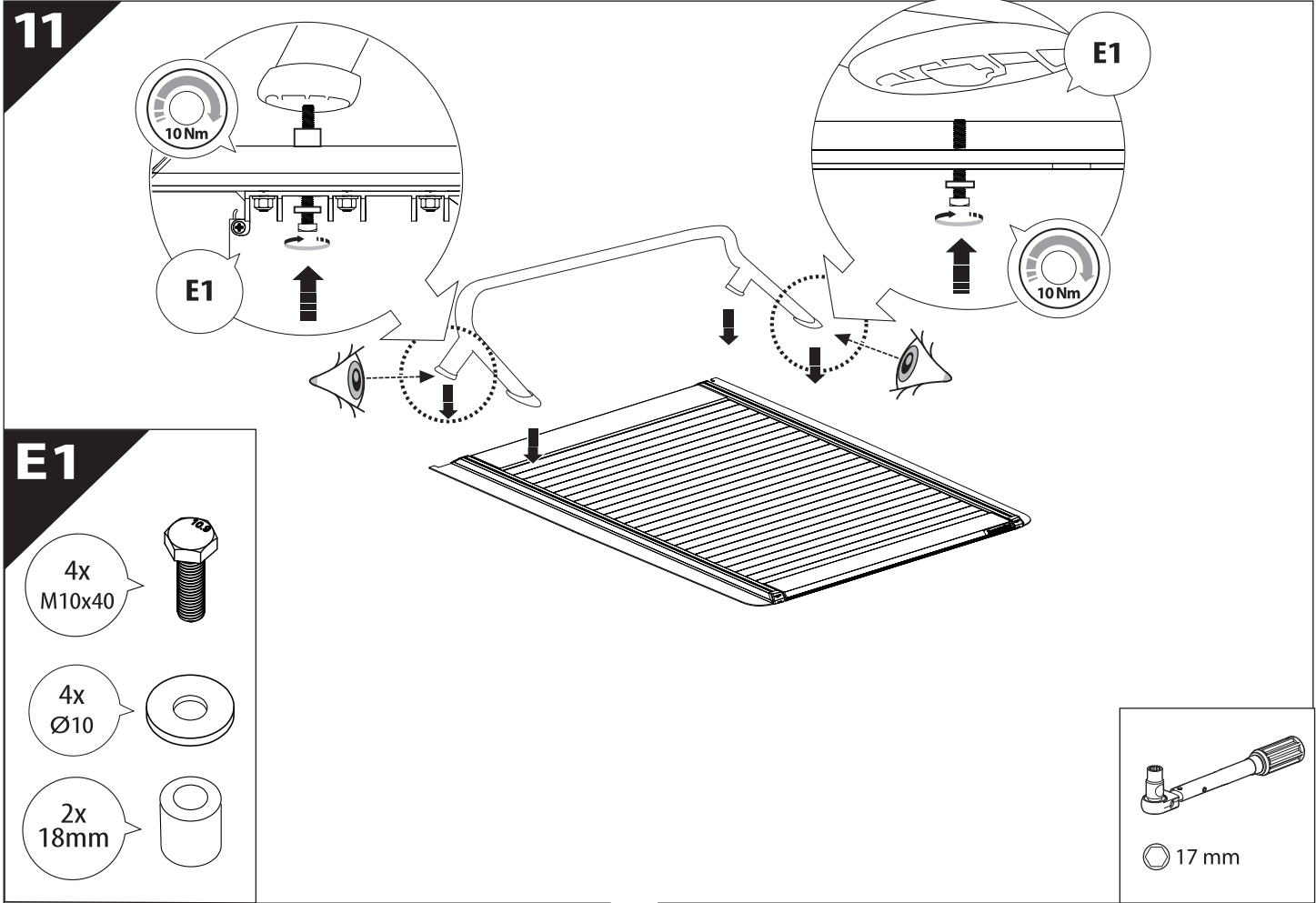
x8

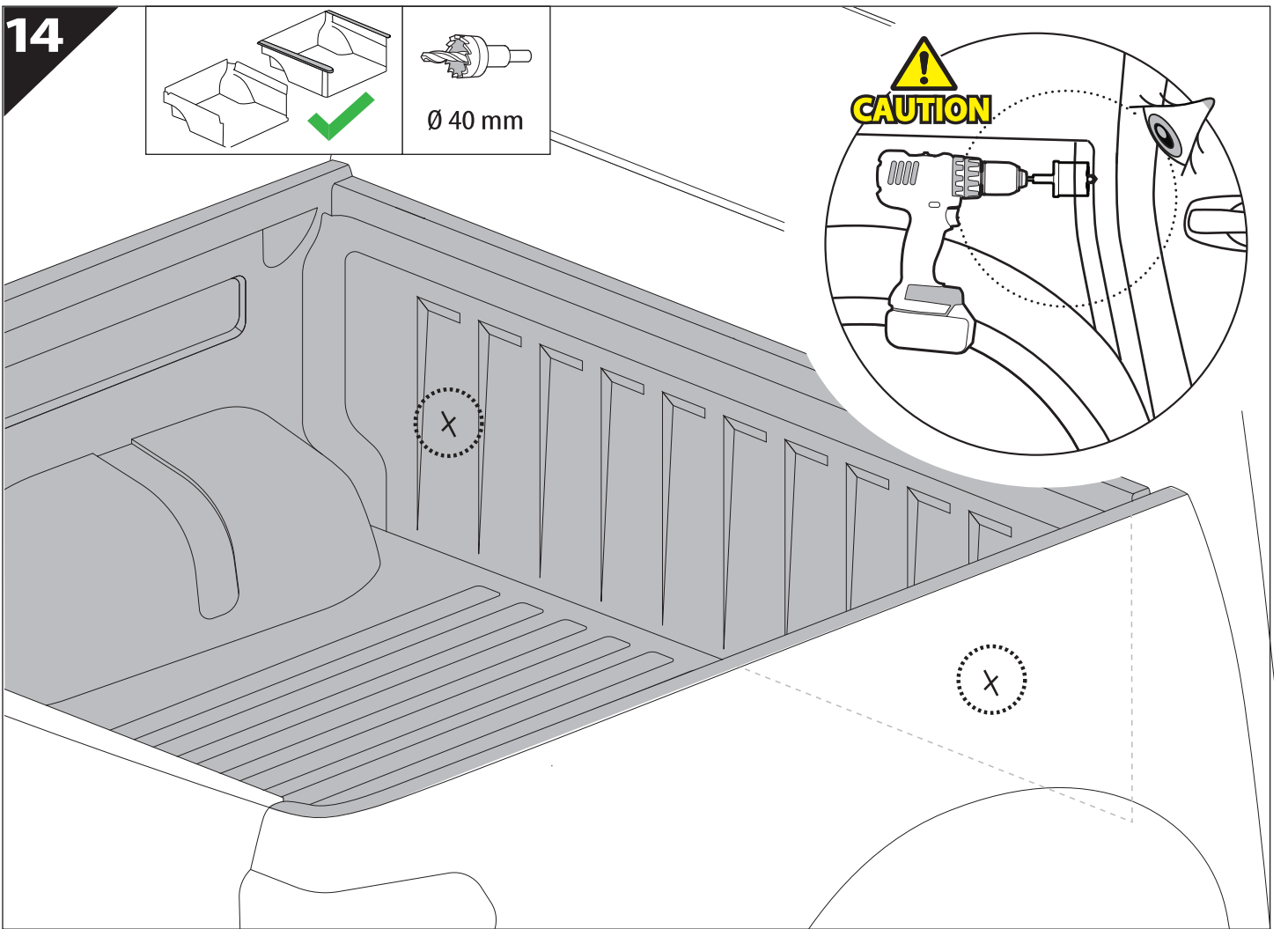
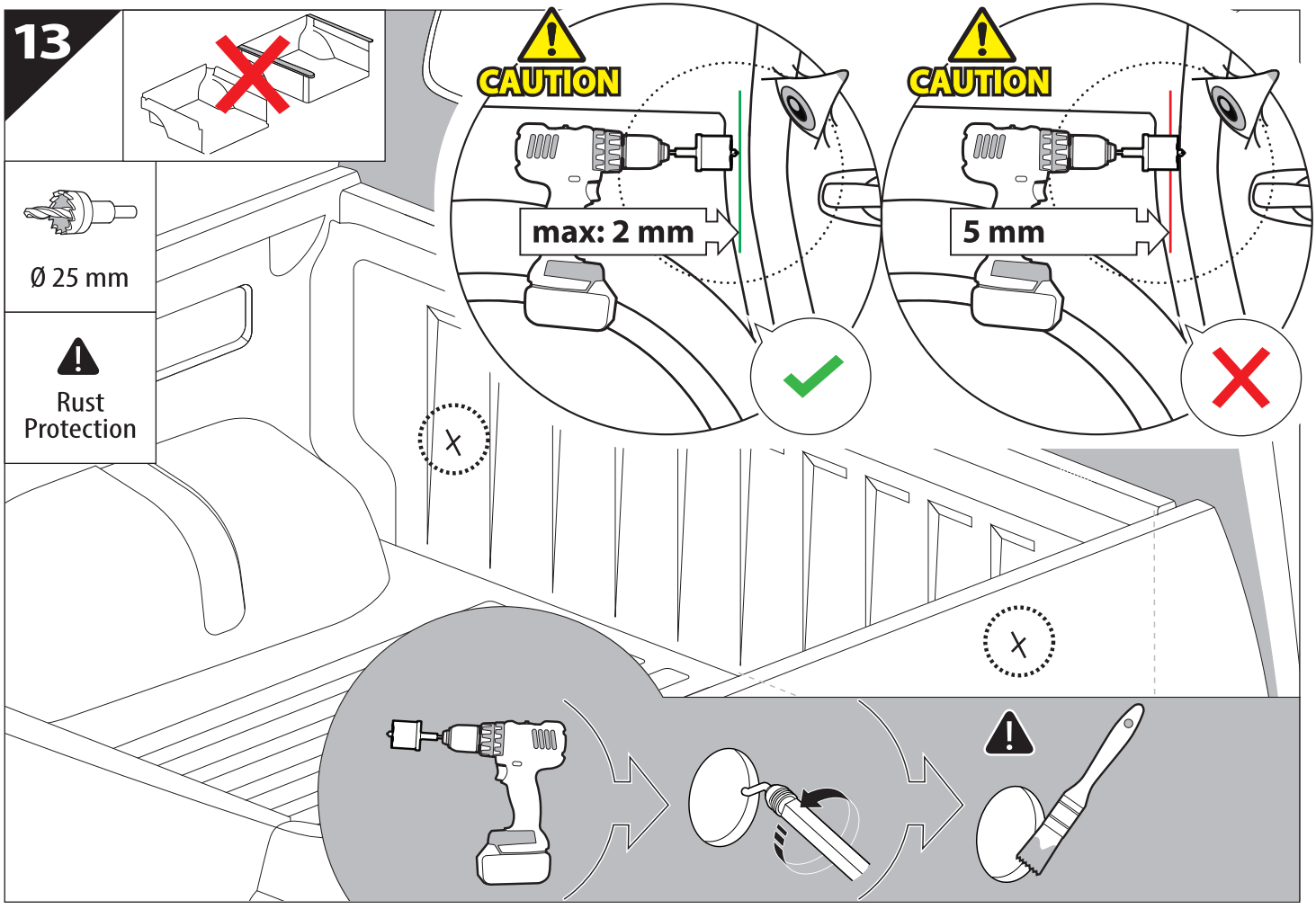
x4



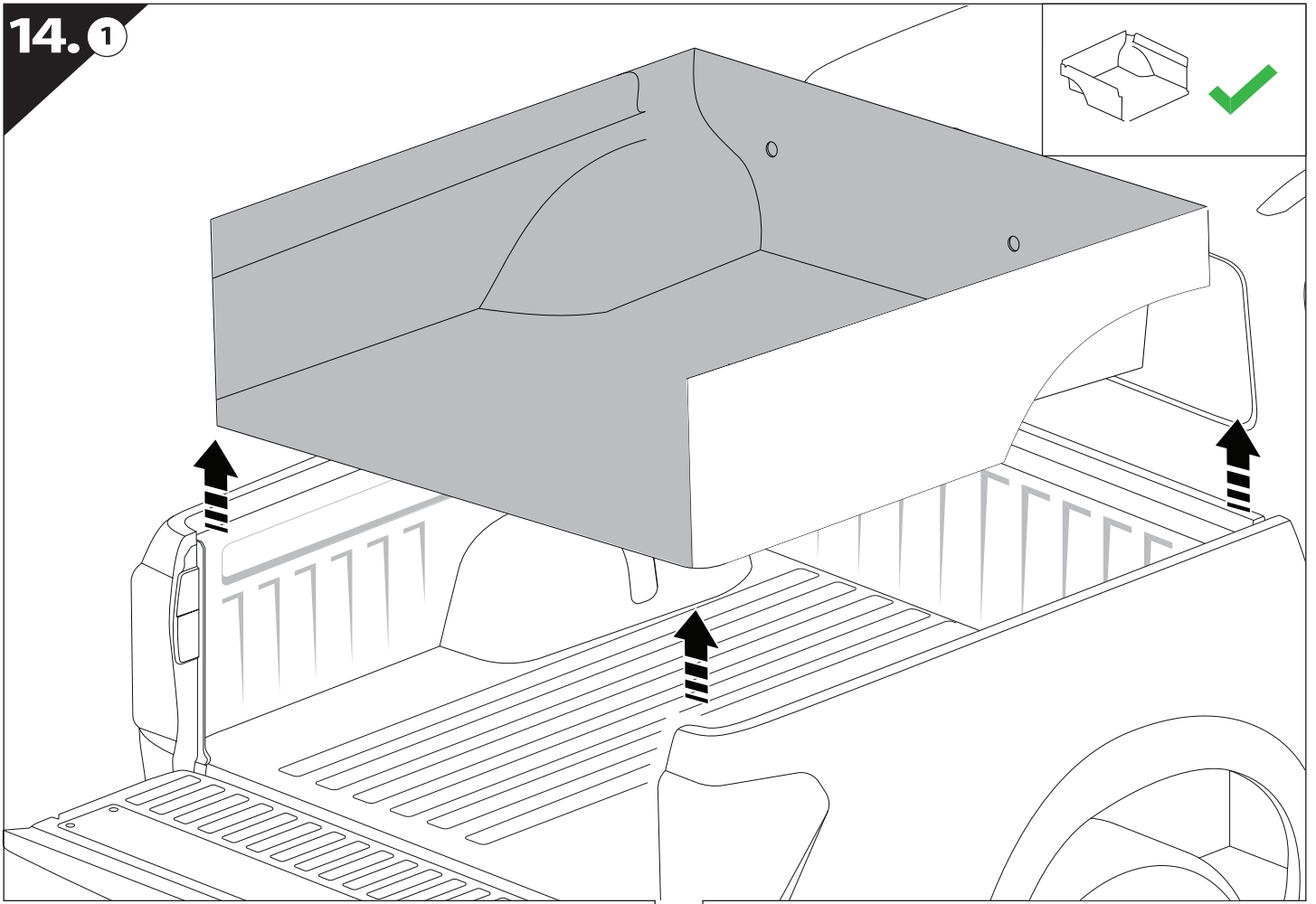
10.0



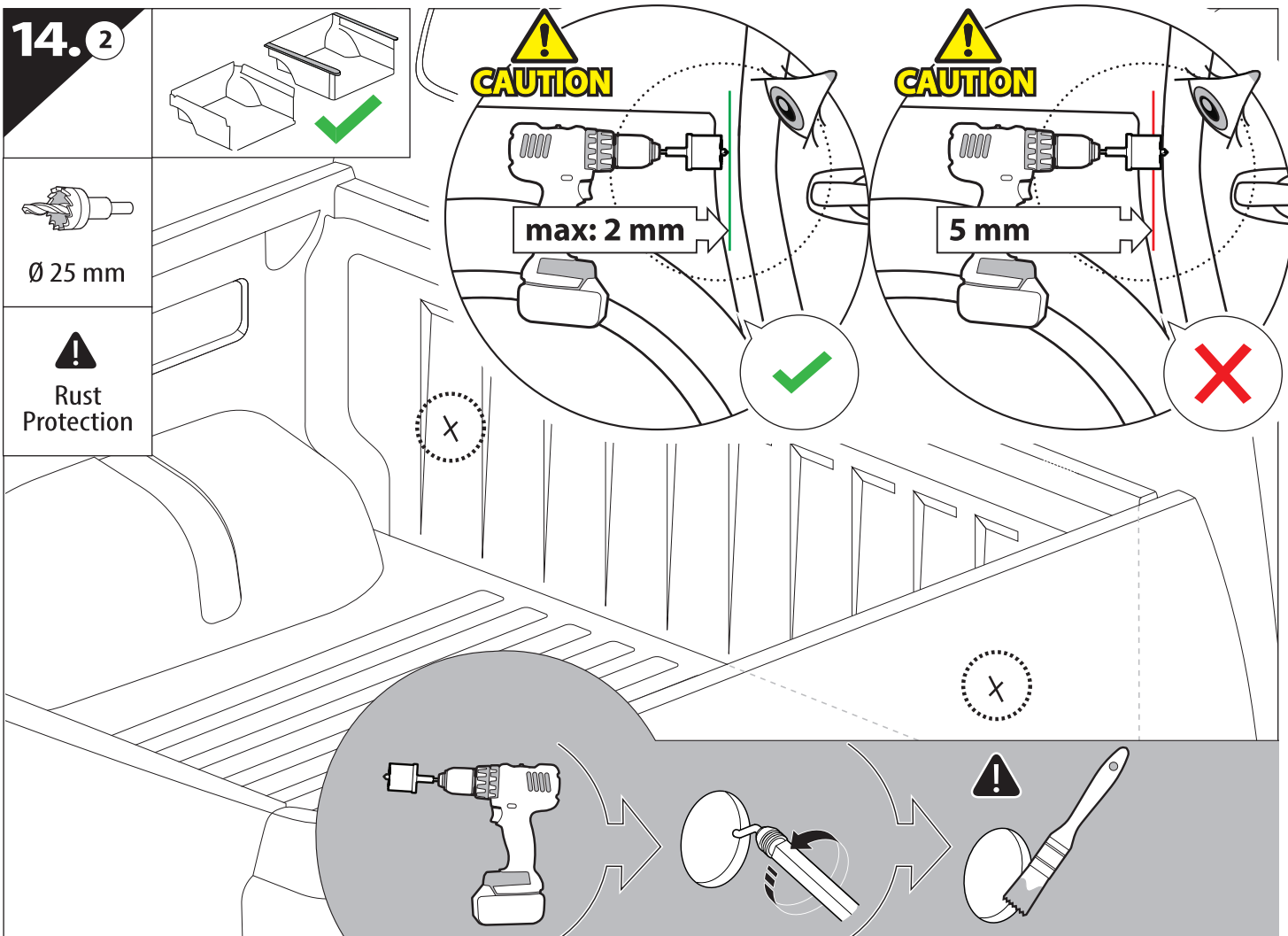




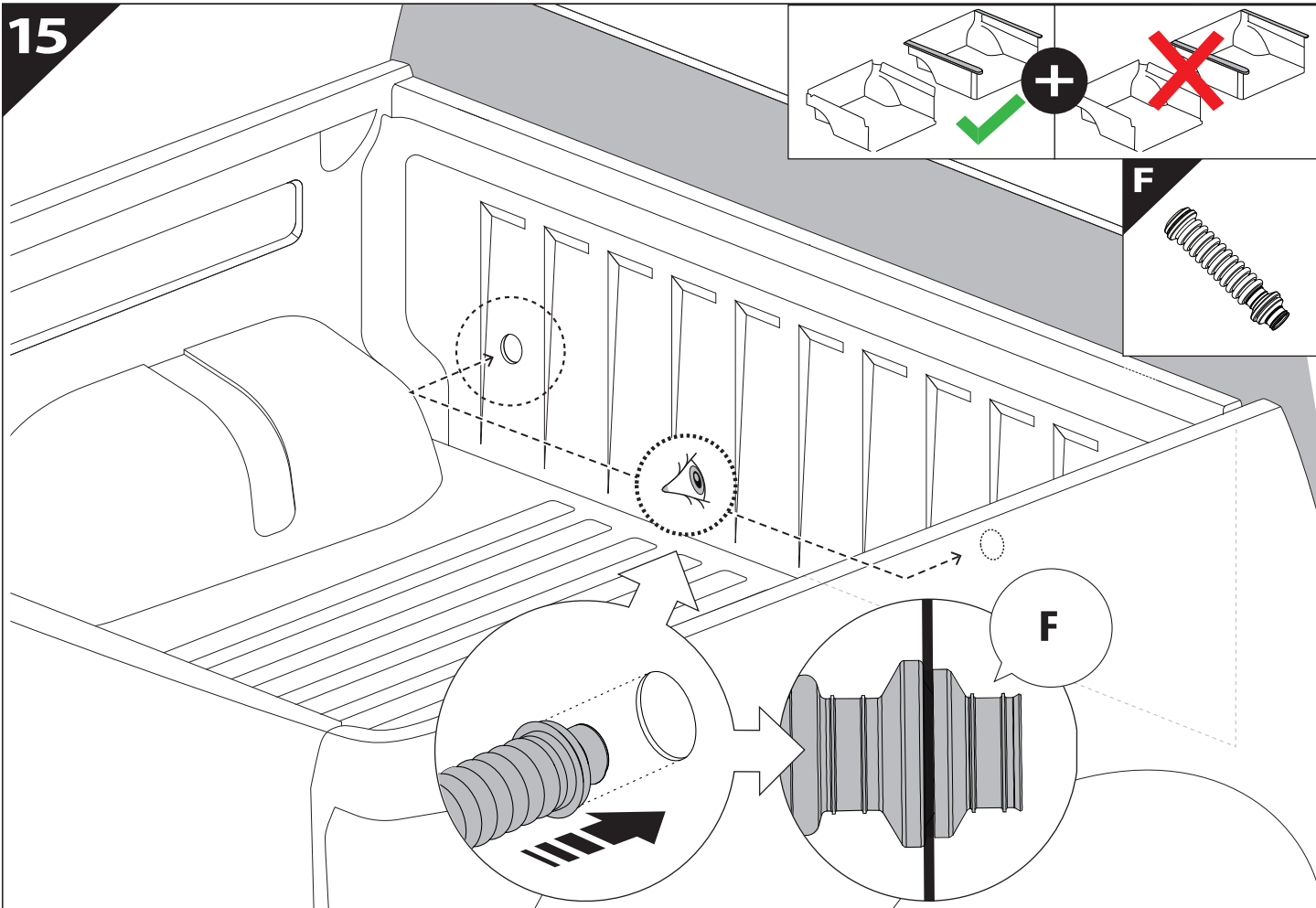
14.1



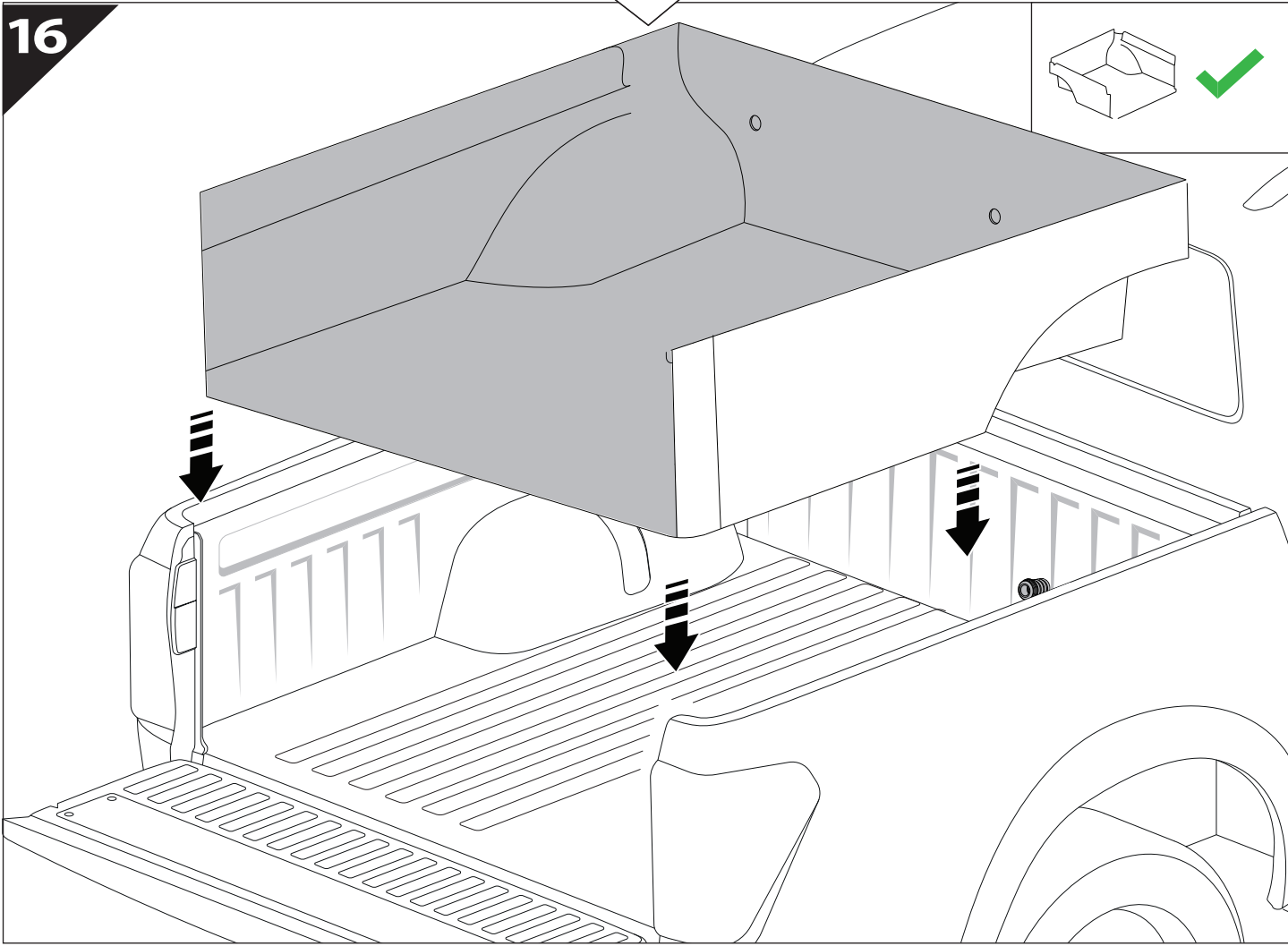
14.2



15

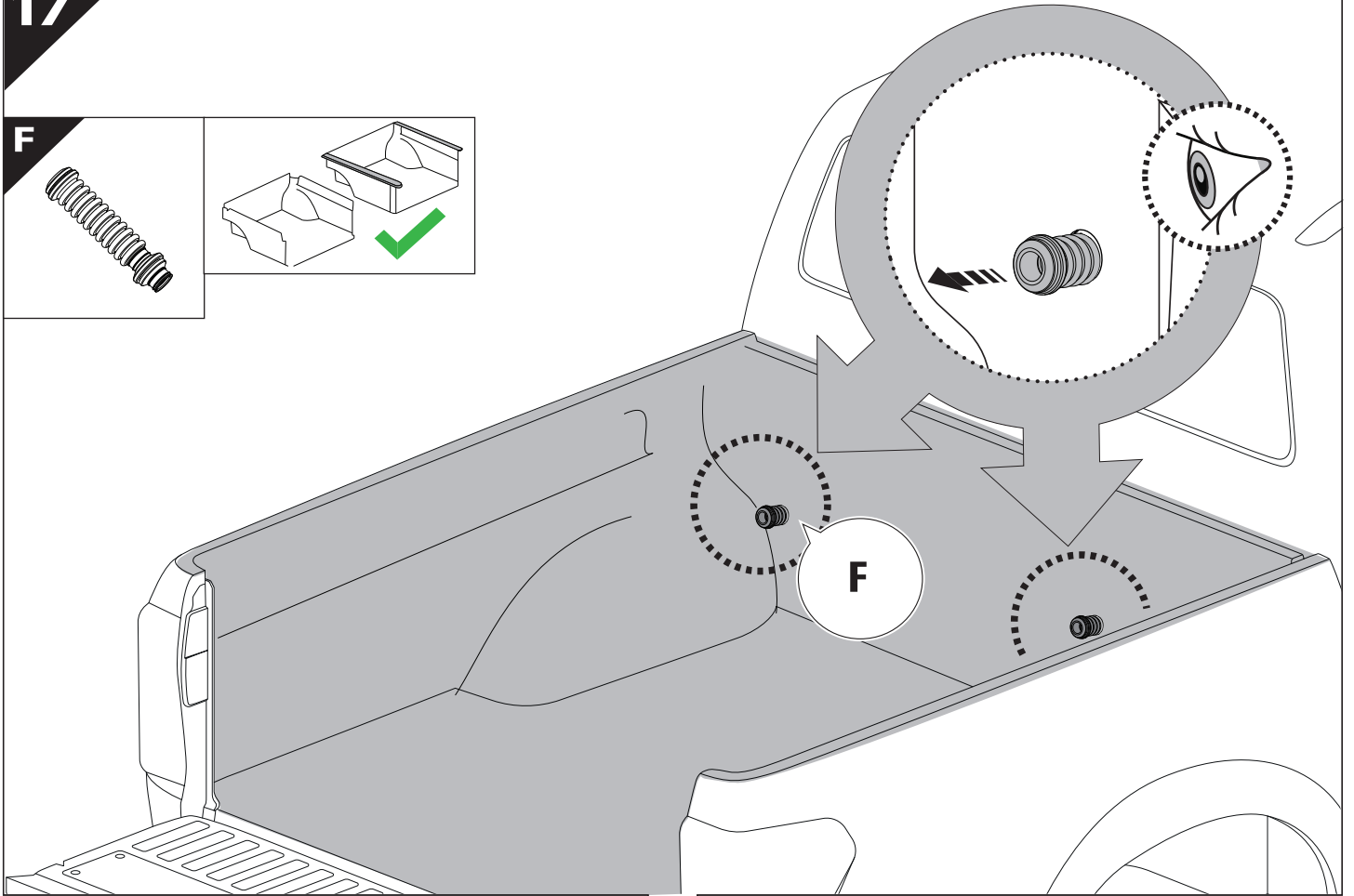
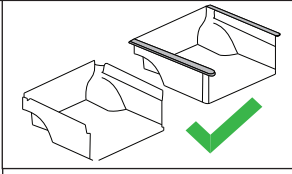


16

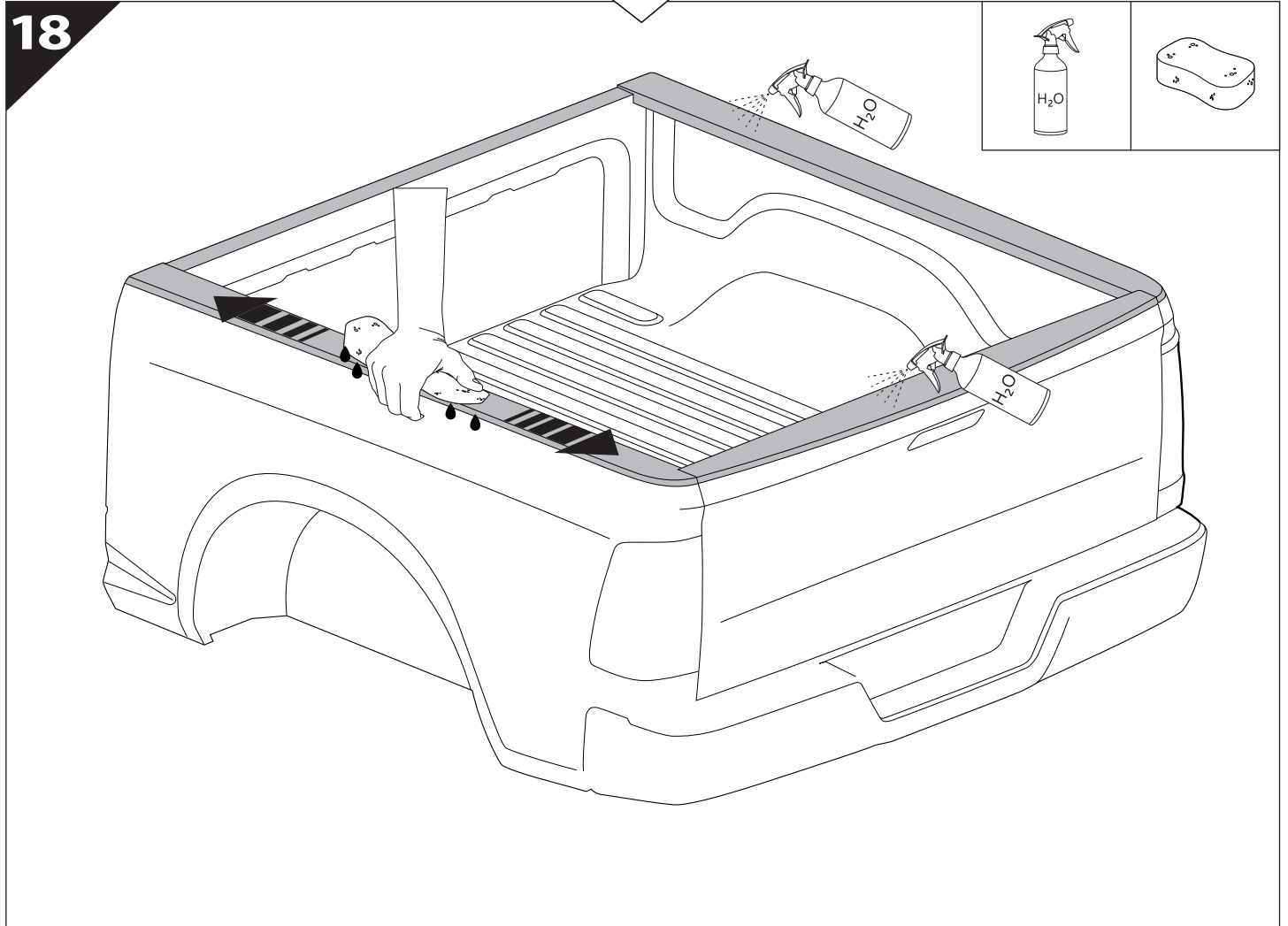
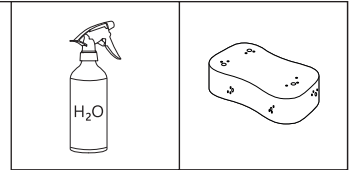


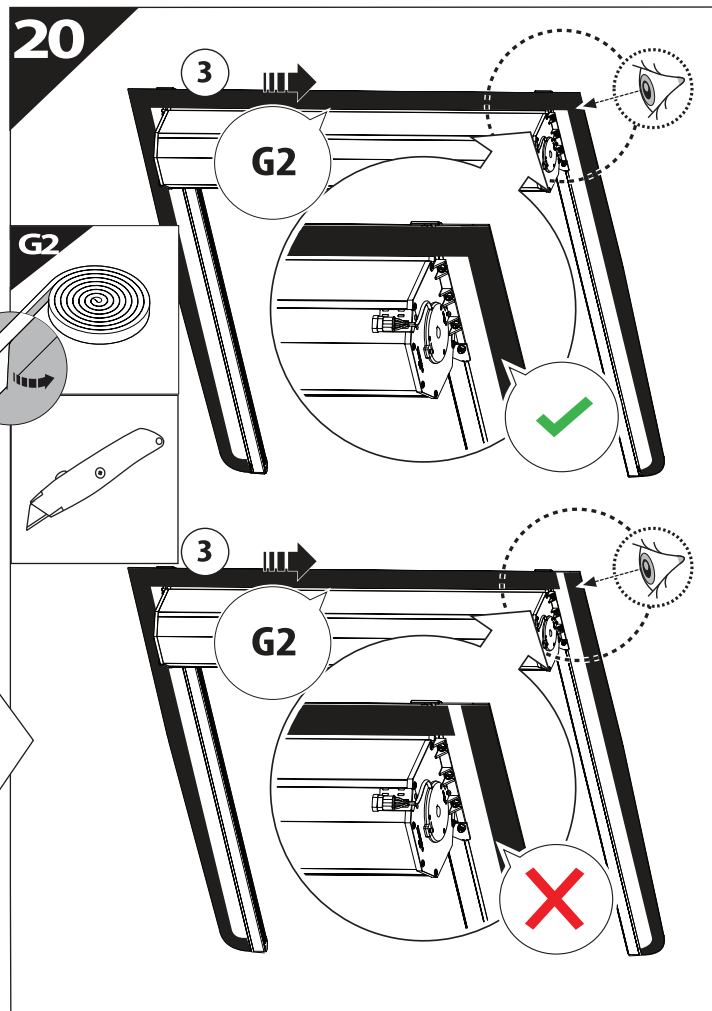
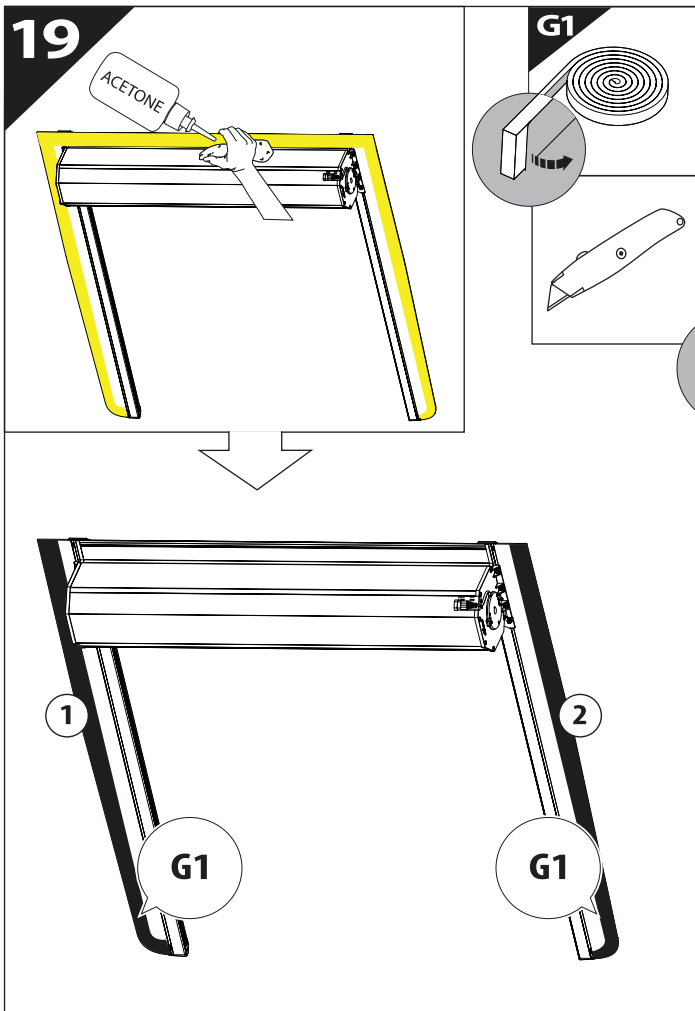
17

F

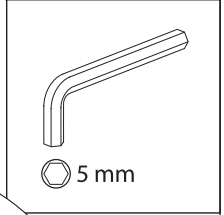
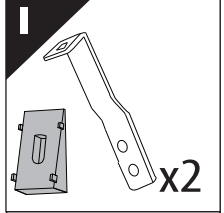
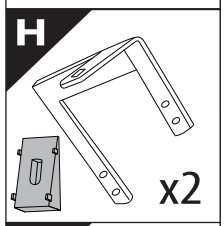
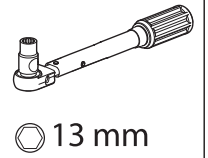
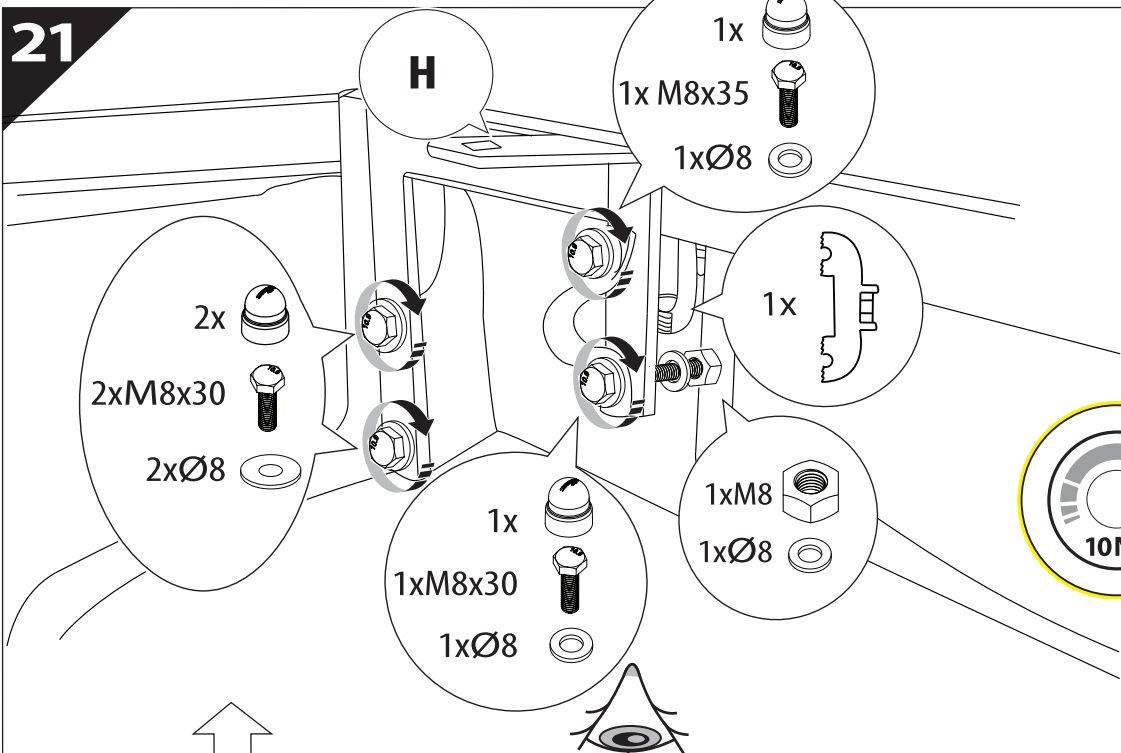


18

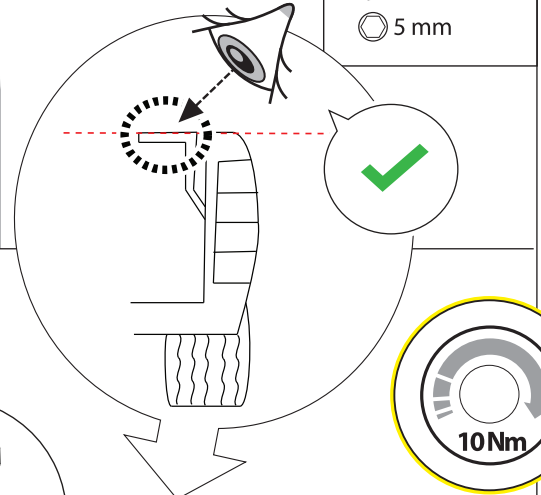
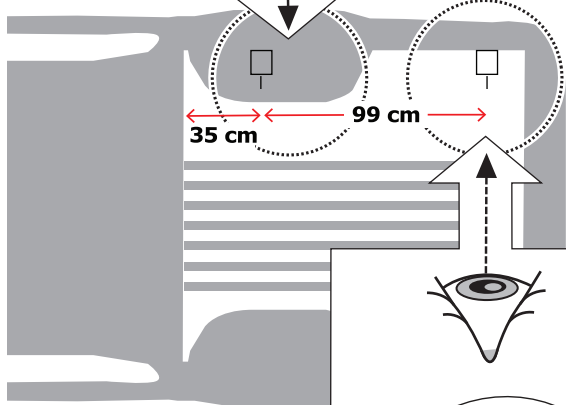




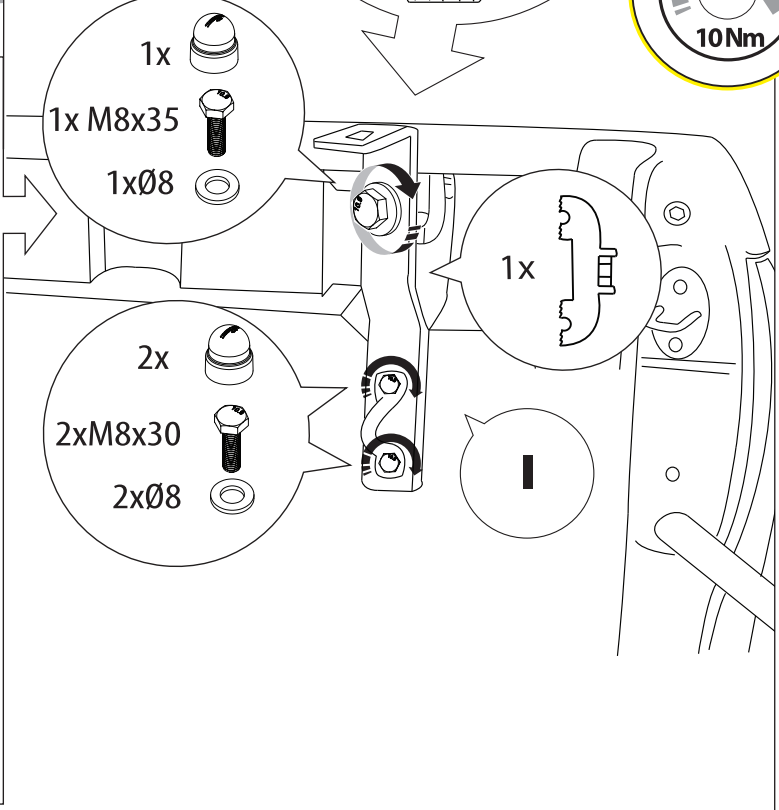
21

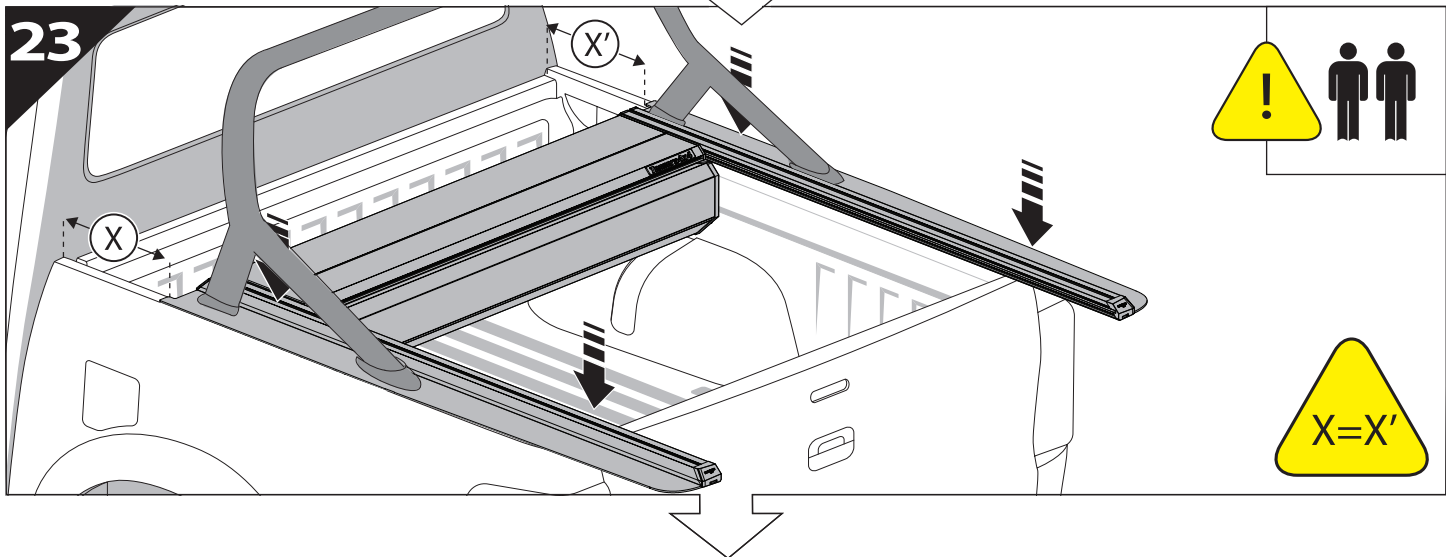
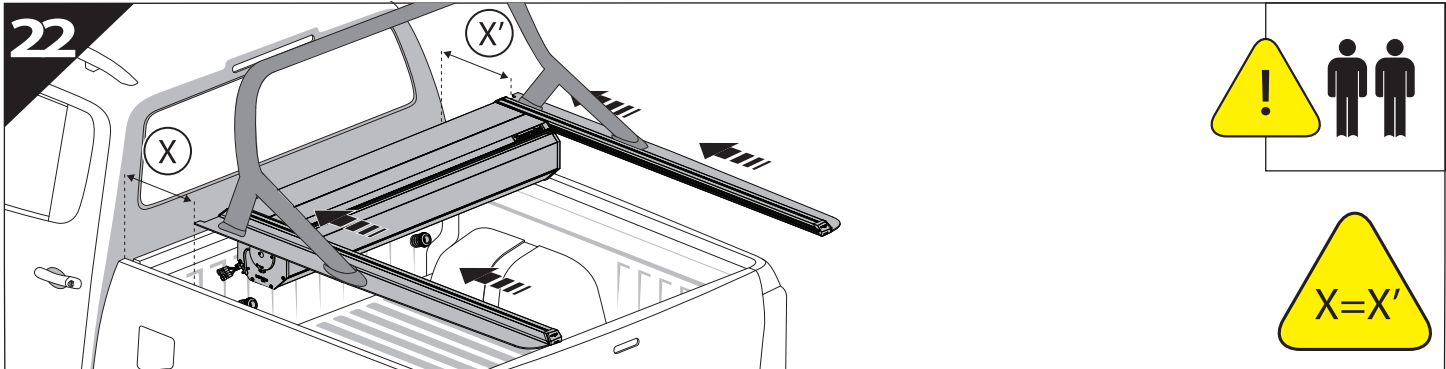


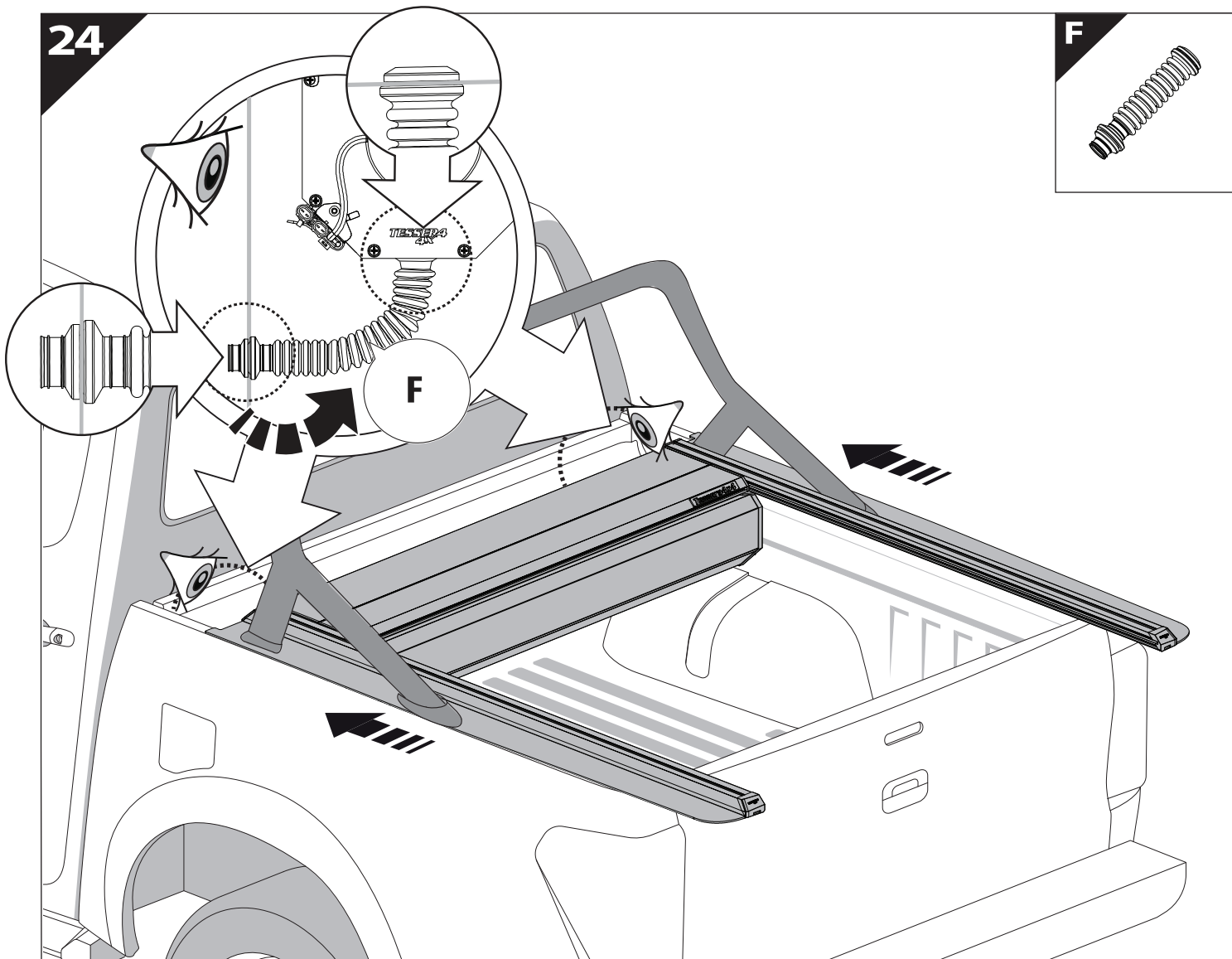
- E2**
- 8xM8
 - 6x M8x30
 - 2x M8x35
 - 4xØ8
 - 6xØ8
 - 2xM8
 - x2

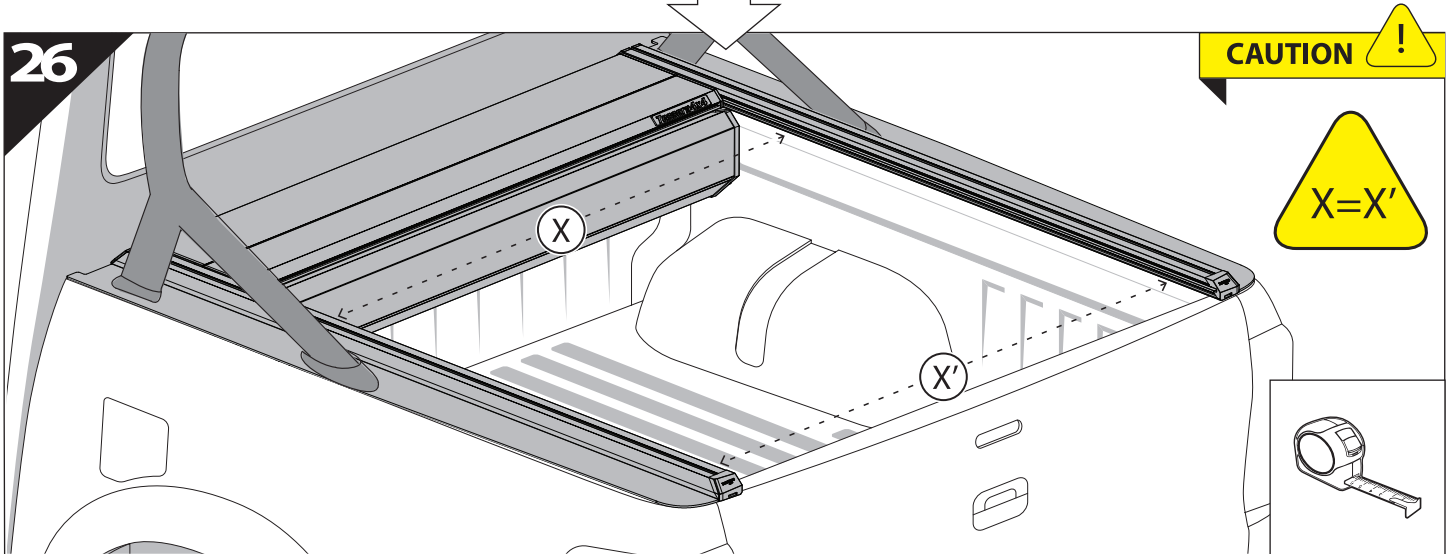
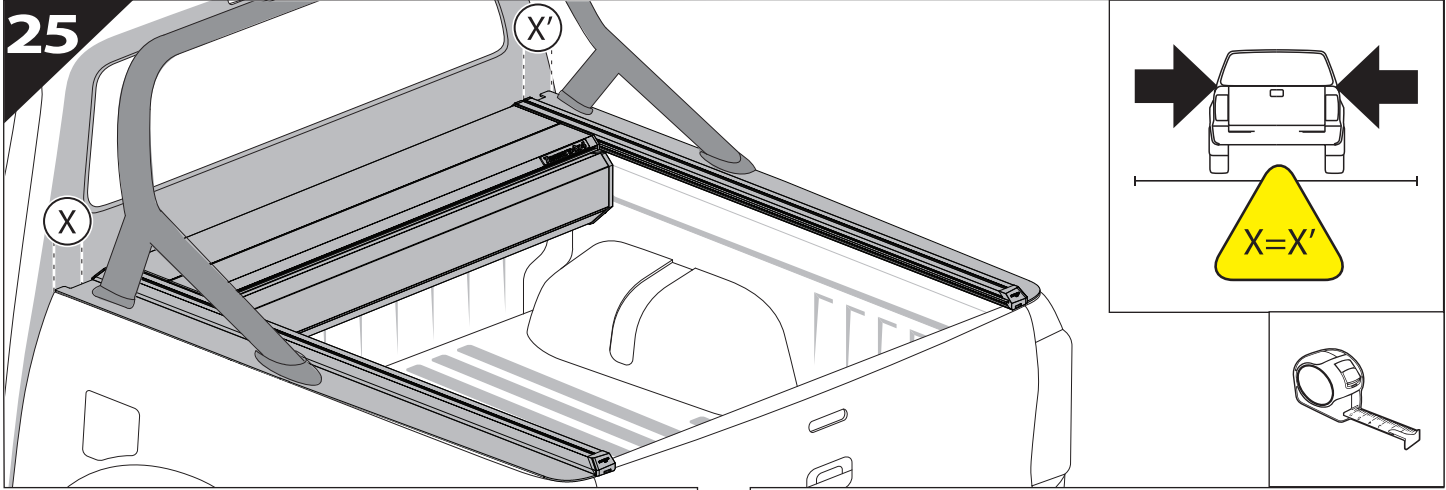


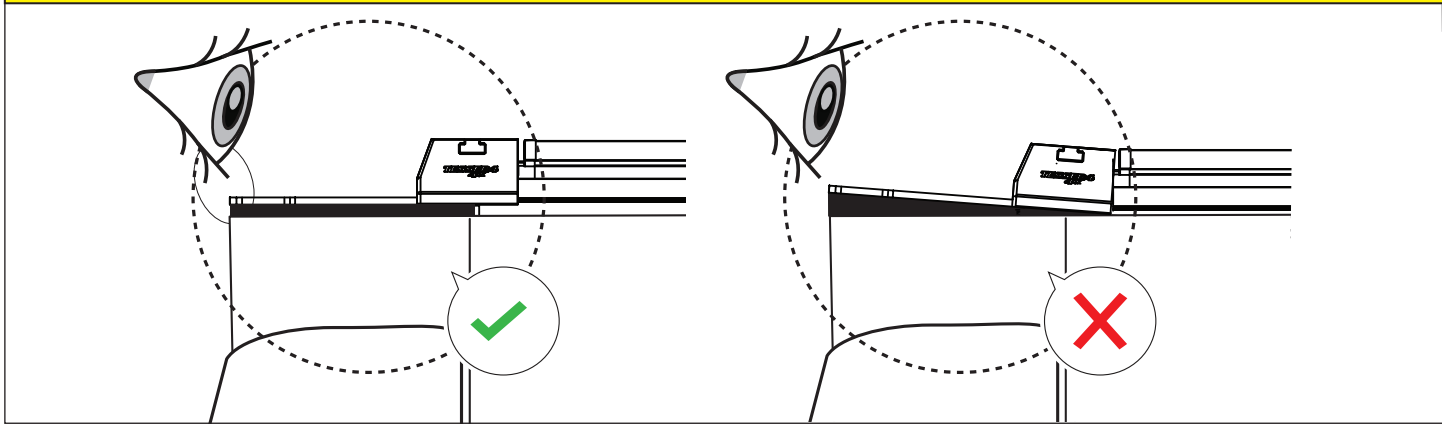
- E3**
- 6xM8
 - 4x M8x30
 - 2x M8x35
 - 6xØ8
 - x2



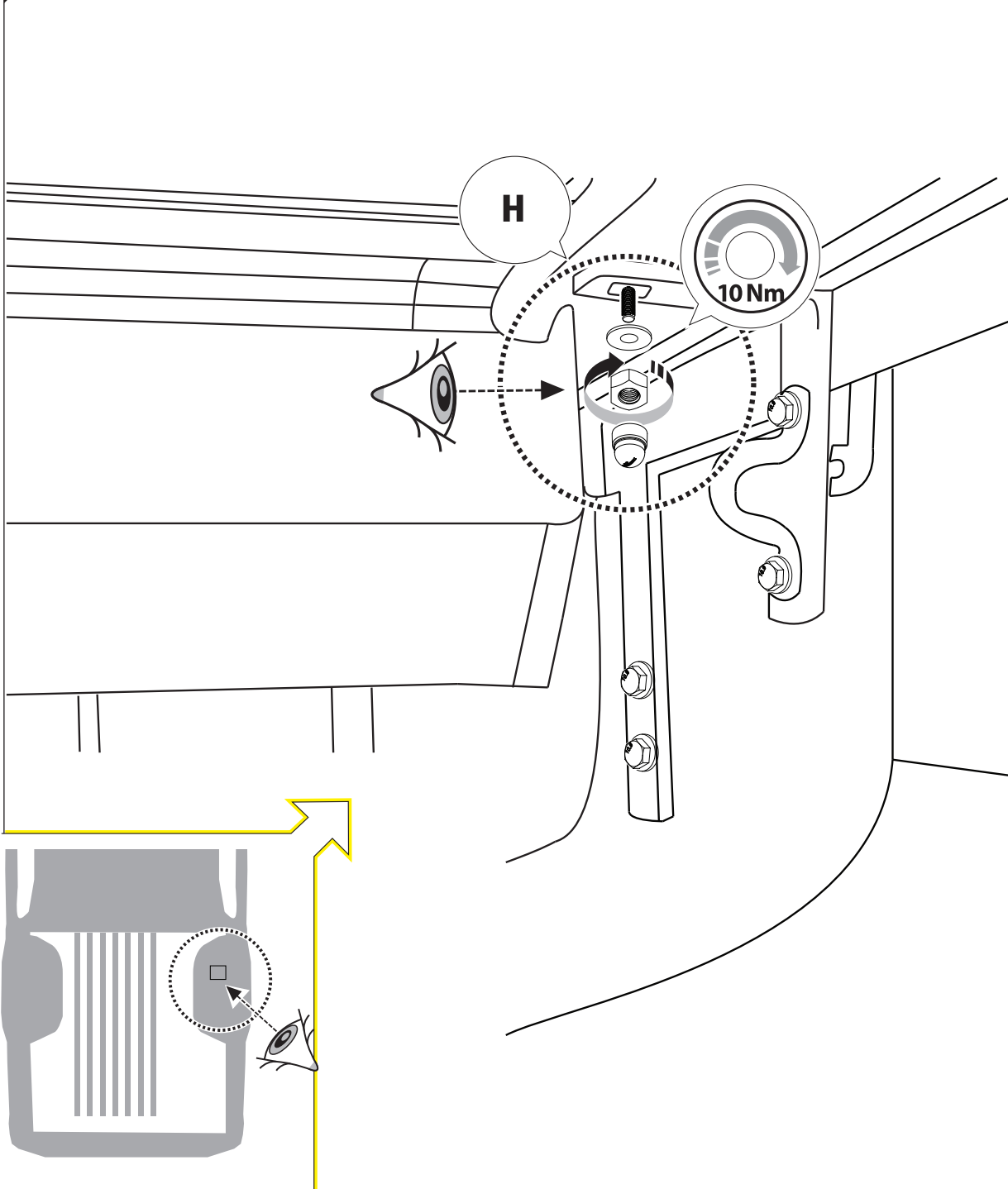








27

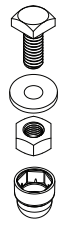


- E**
- 1 bolt
 - 1 washer
 - 1 nut
 - 1 sleeve
- x2

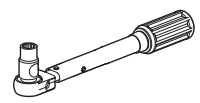
-
- 13 mm

- H**
-
- x2

E



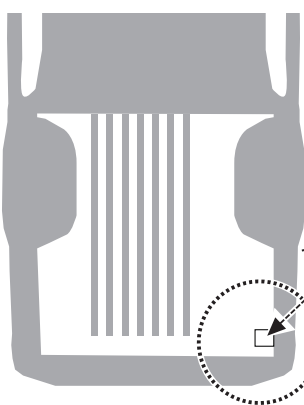
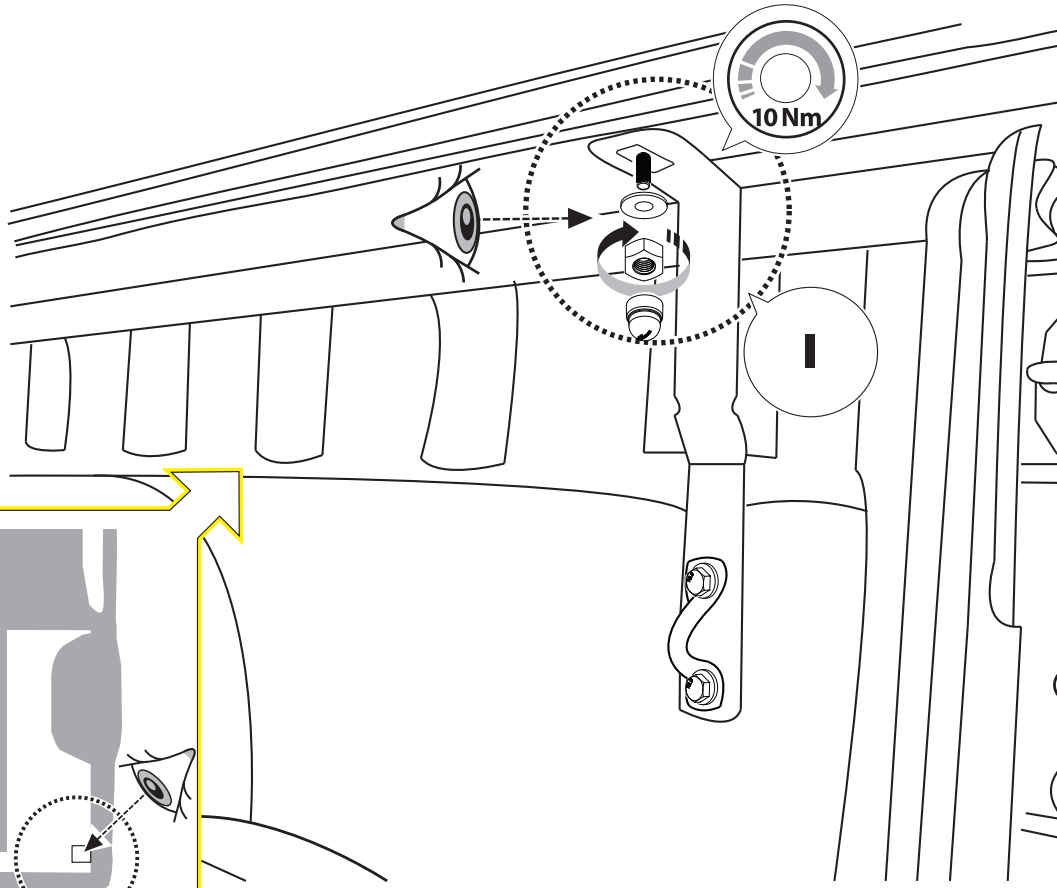
x2



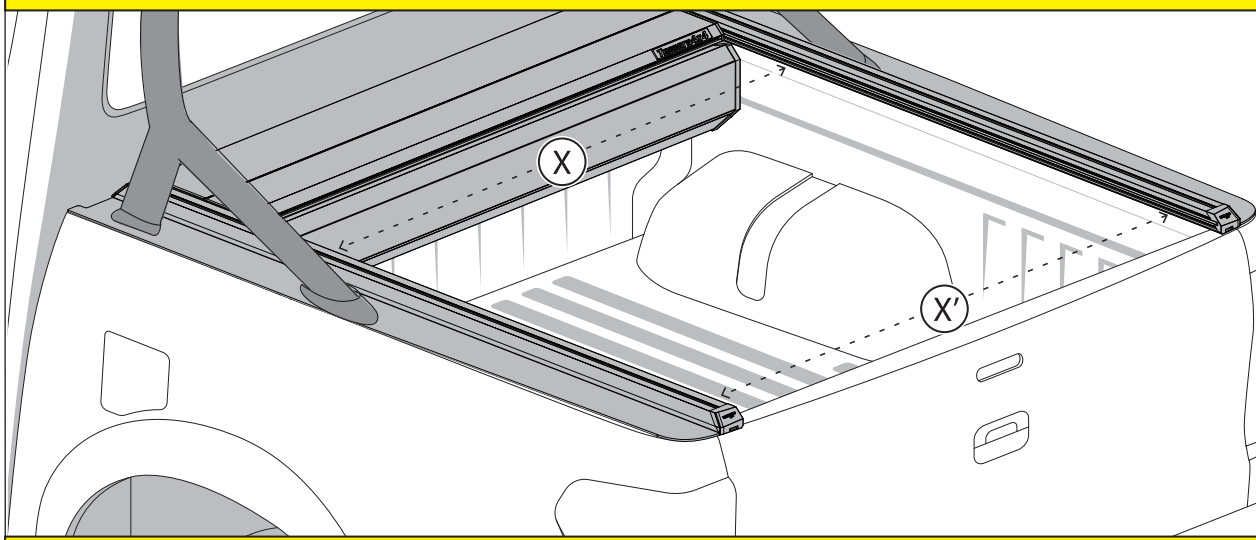
13 mm



x2

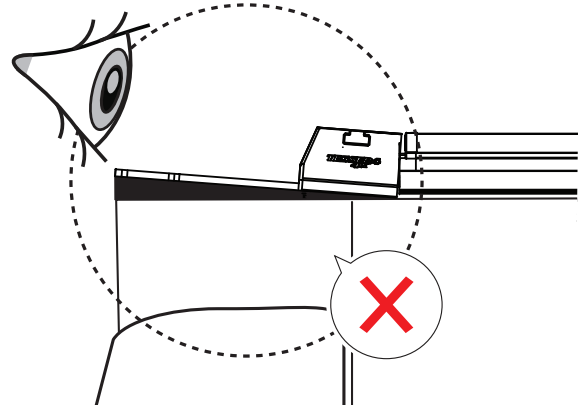
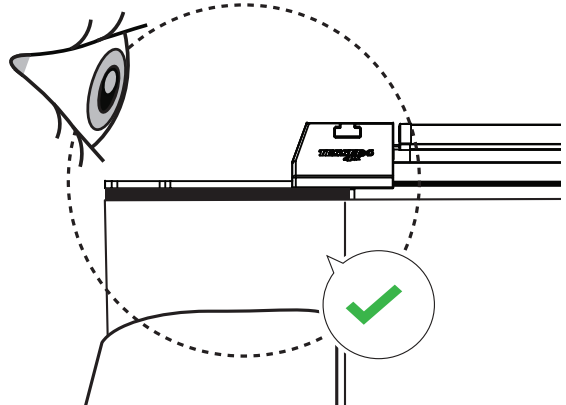


CAUTION !

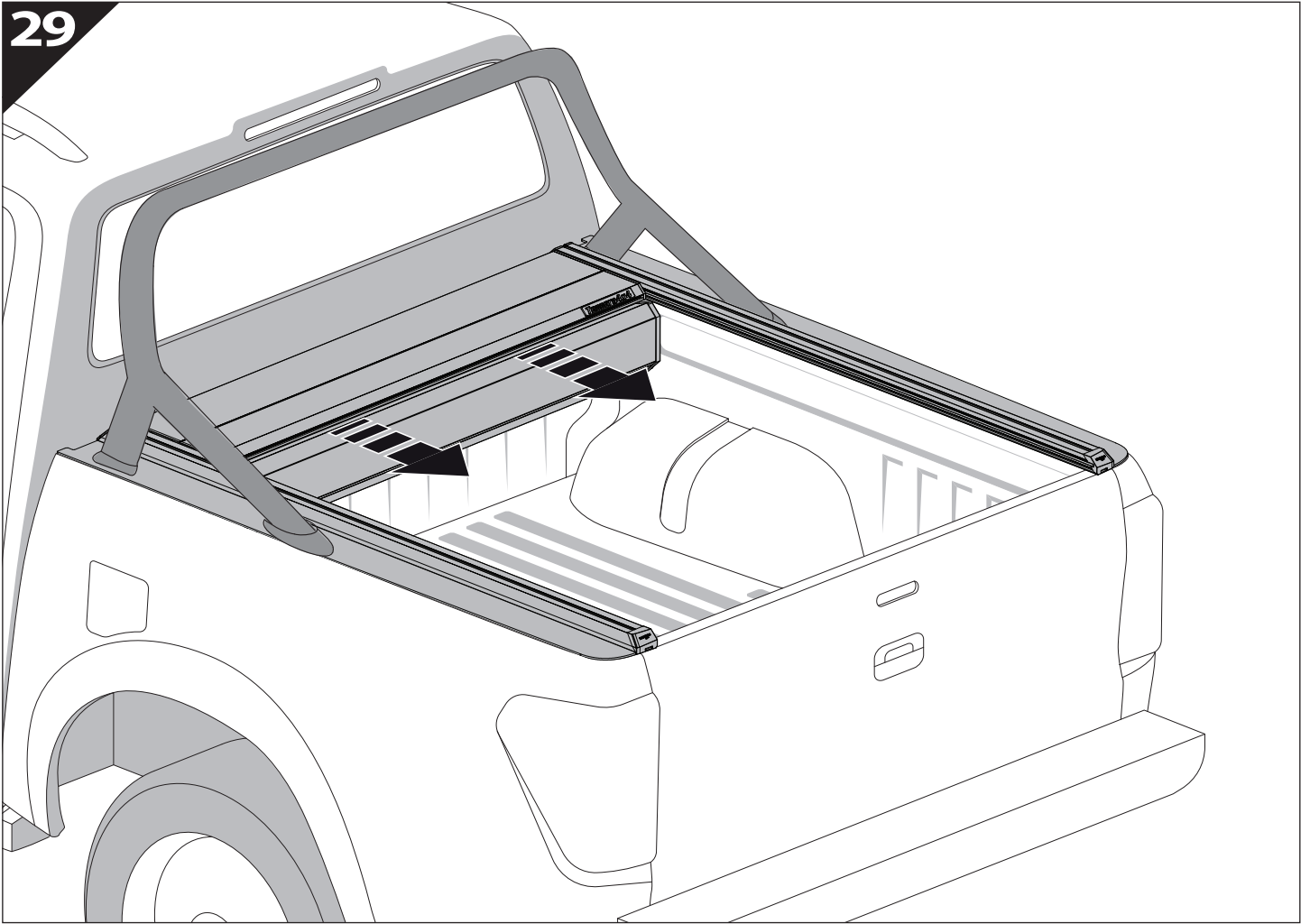


X=X'

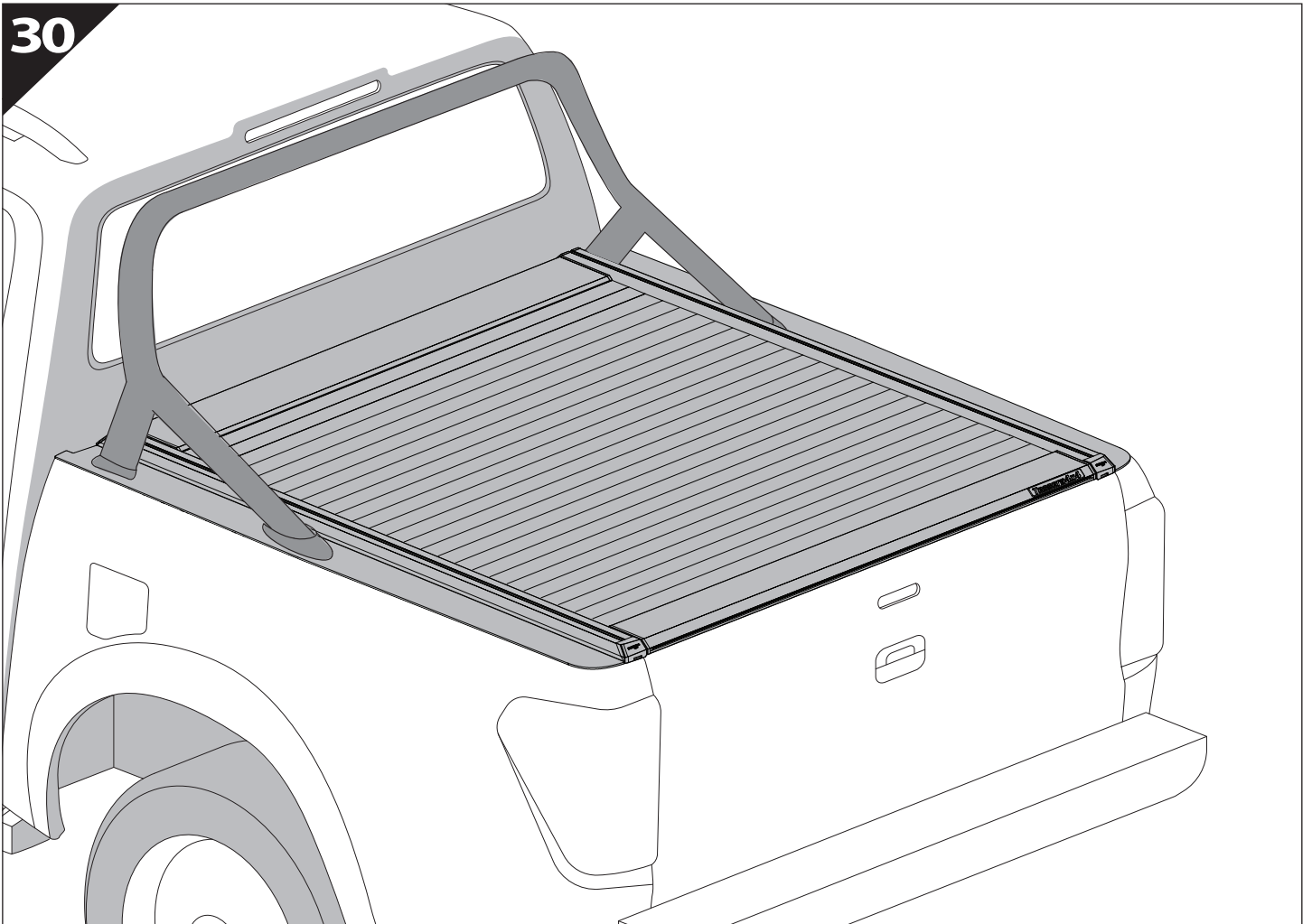
CAUTION !



29



30





GR: Οδηγίες Εγκατάστασης
GB: Installation manual
SF: Asennusohje
F: Notice de montage
PL: Instrukcja montażu
NL: Installatie-instructies
TR: Montaj Talimatı
S: Monteringsanvisning
E: Instrucciones de montaje

H: Szerelési utasítás
P: Instruções de instalação
RUS: Инструкция по установке
N: Monteringsveiledning
D: Einbauanleitung
CZ: Návod k instalaci
I: Istruzioni de montaggio
DK: Monteringsvejledning
RO: Instructiuni de instalare

Customer Service:

+30 (210) 5541161, +30 (210) 5541154 (08:00 - 16:00 EET)

Support department:

info@gianso.gr

Website:

www.tessera4x4.com

Address:

19.5 km of National road Athens-Korinthos (Elefsina) Greece, P.C: 19200