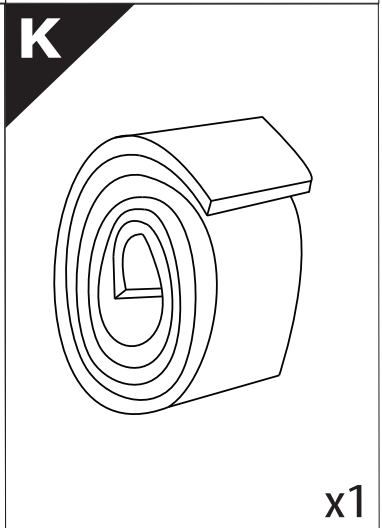
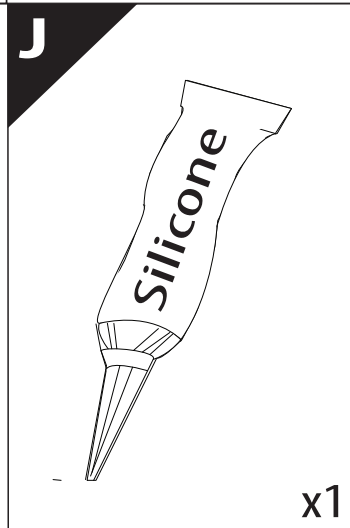
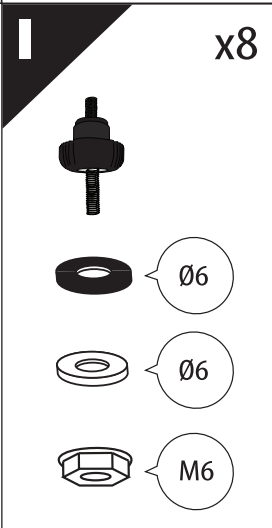
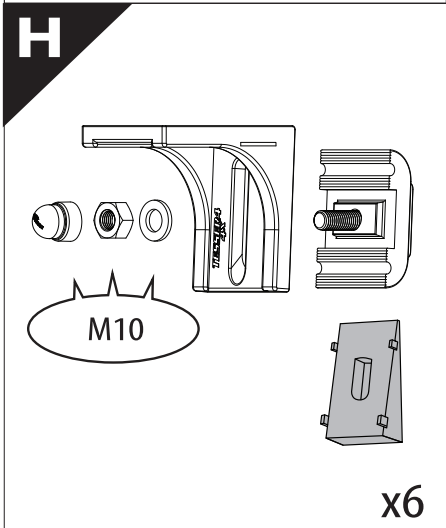
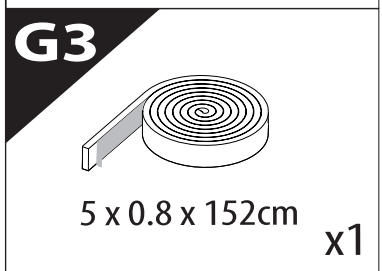
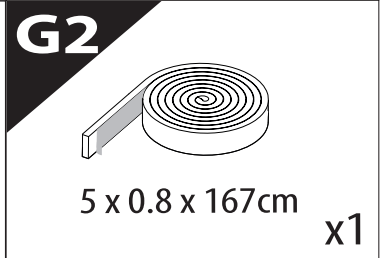
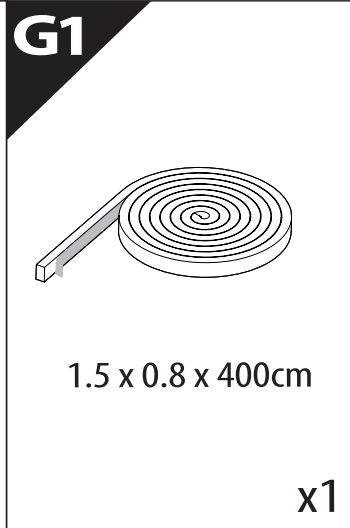
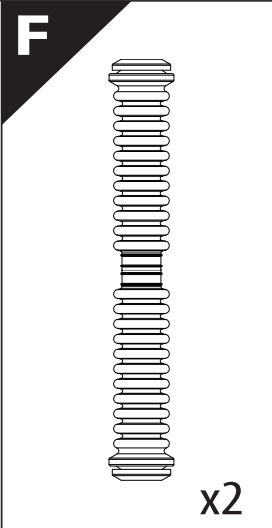
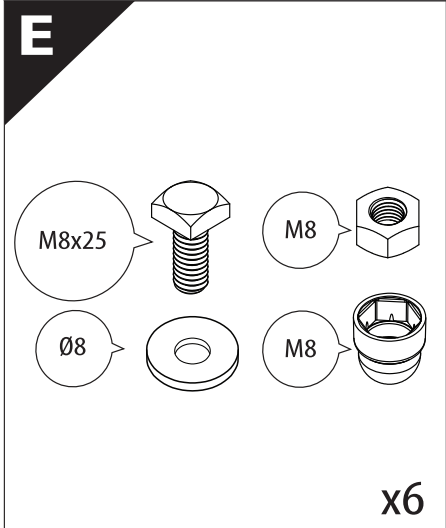
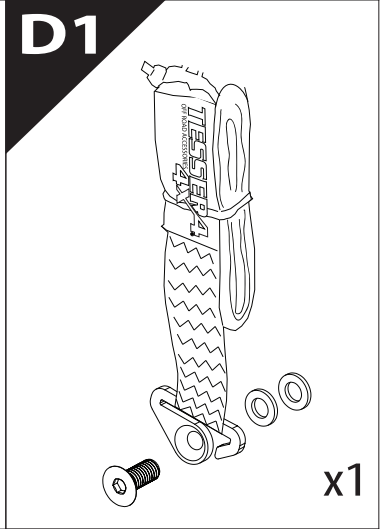
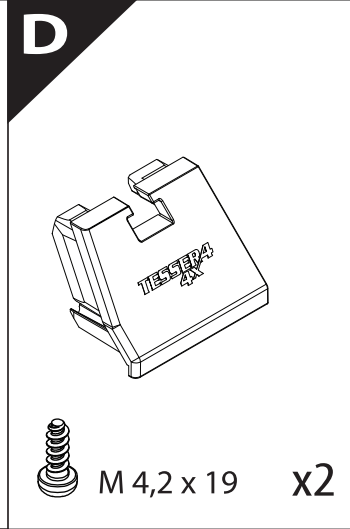
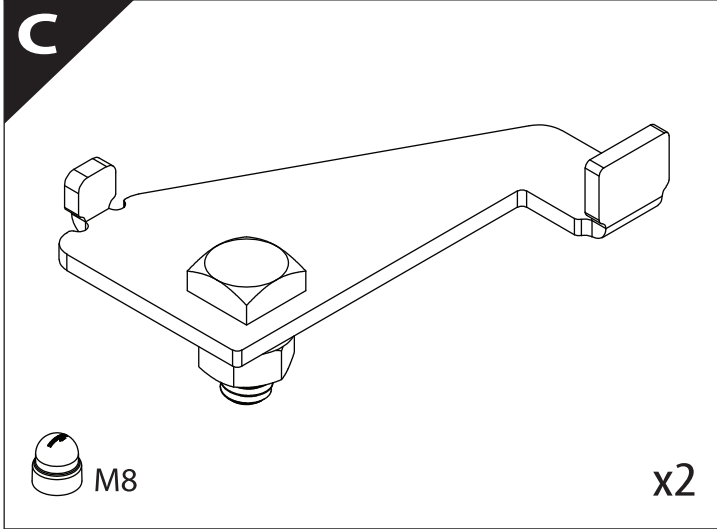
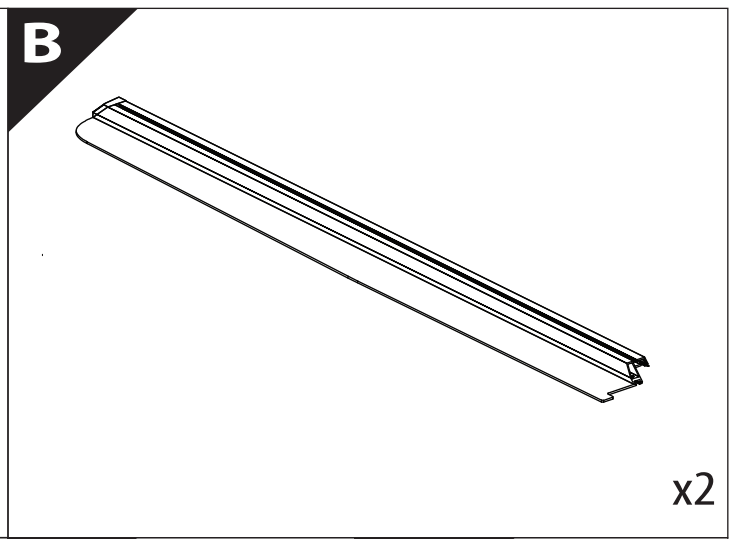
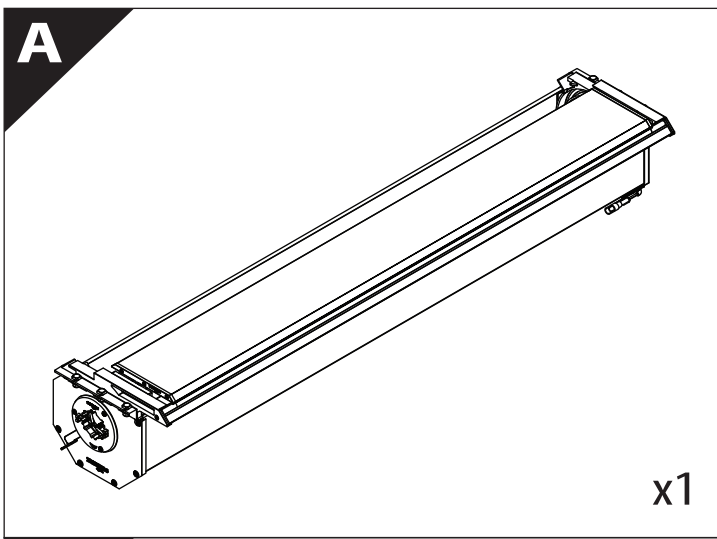
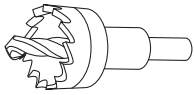


## Installation Manual

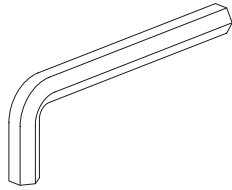
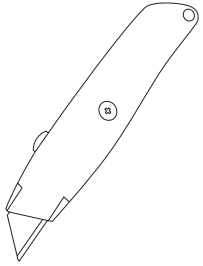
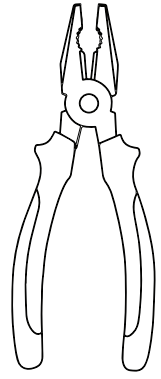
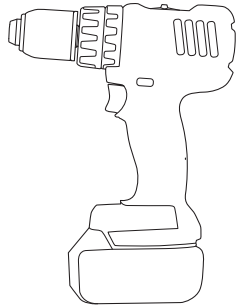
<b>PART NUMBER(S)</b>	<b>Model Year</b>
<b>TESS 15191 SE</b>	<b>Mercedes X-Class 2018+ OEM ROLL BAR (no-c-channels)</b>
<b>Cab(s)</b>	<b>Installation Time / Weight</b>
<b>Double Cab</b>	<b>40-60 minutes / 53-57 kg</b>





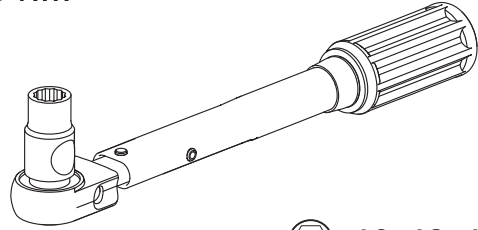


Ø 25 mm / Ø 40 mm

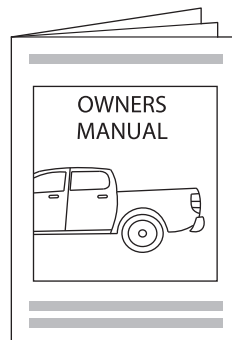
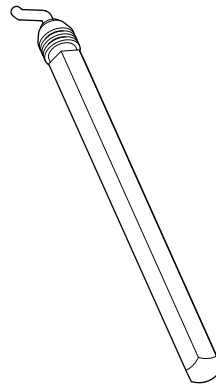
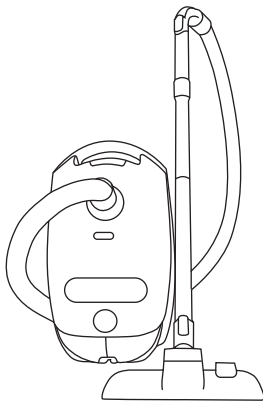
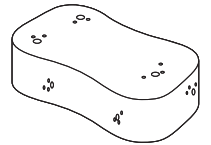
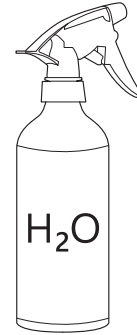
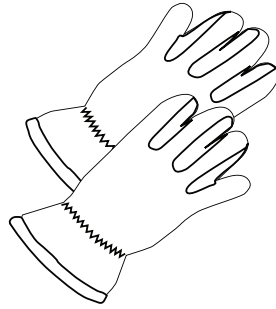
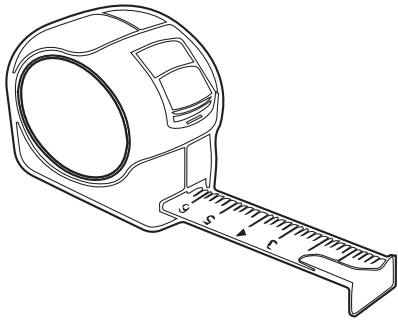


4 mm

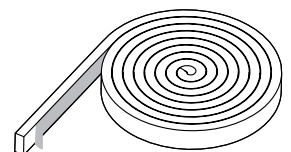
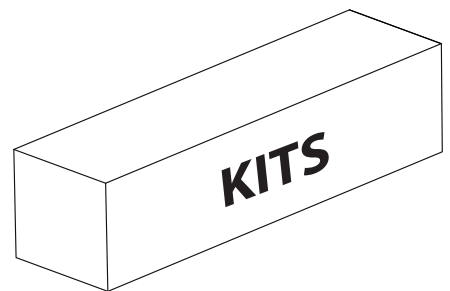
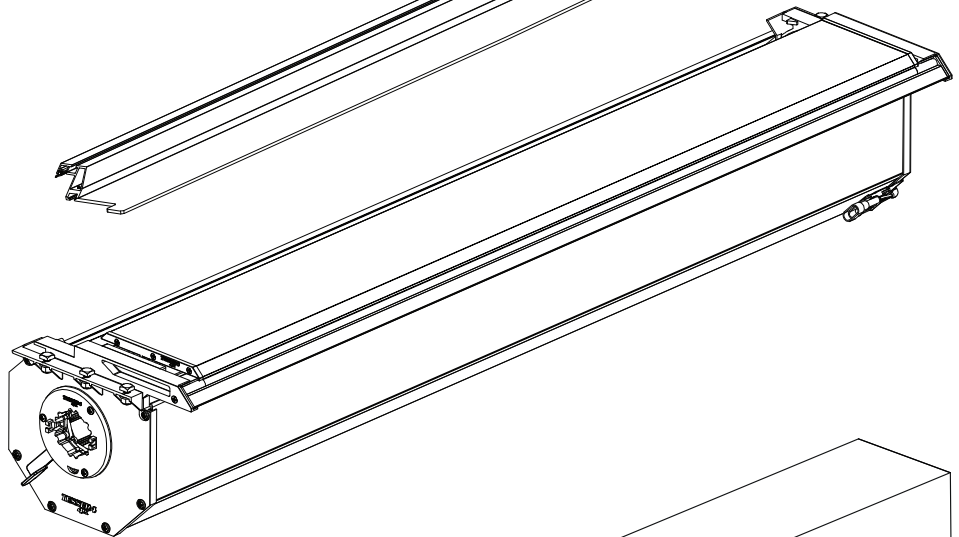
1 - 25 Nm



10, 12, 13, 17 mm



x1

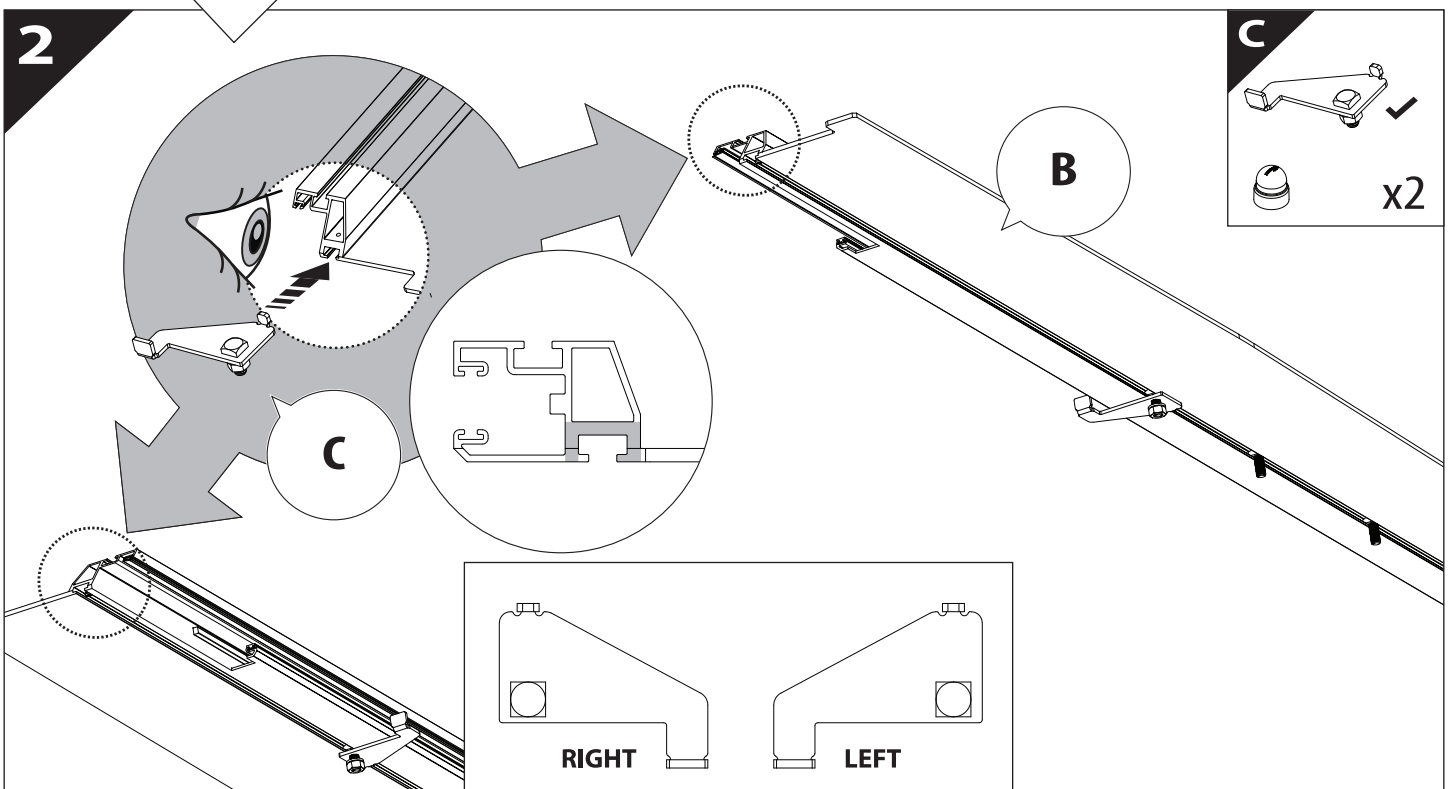
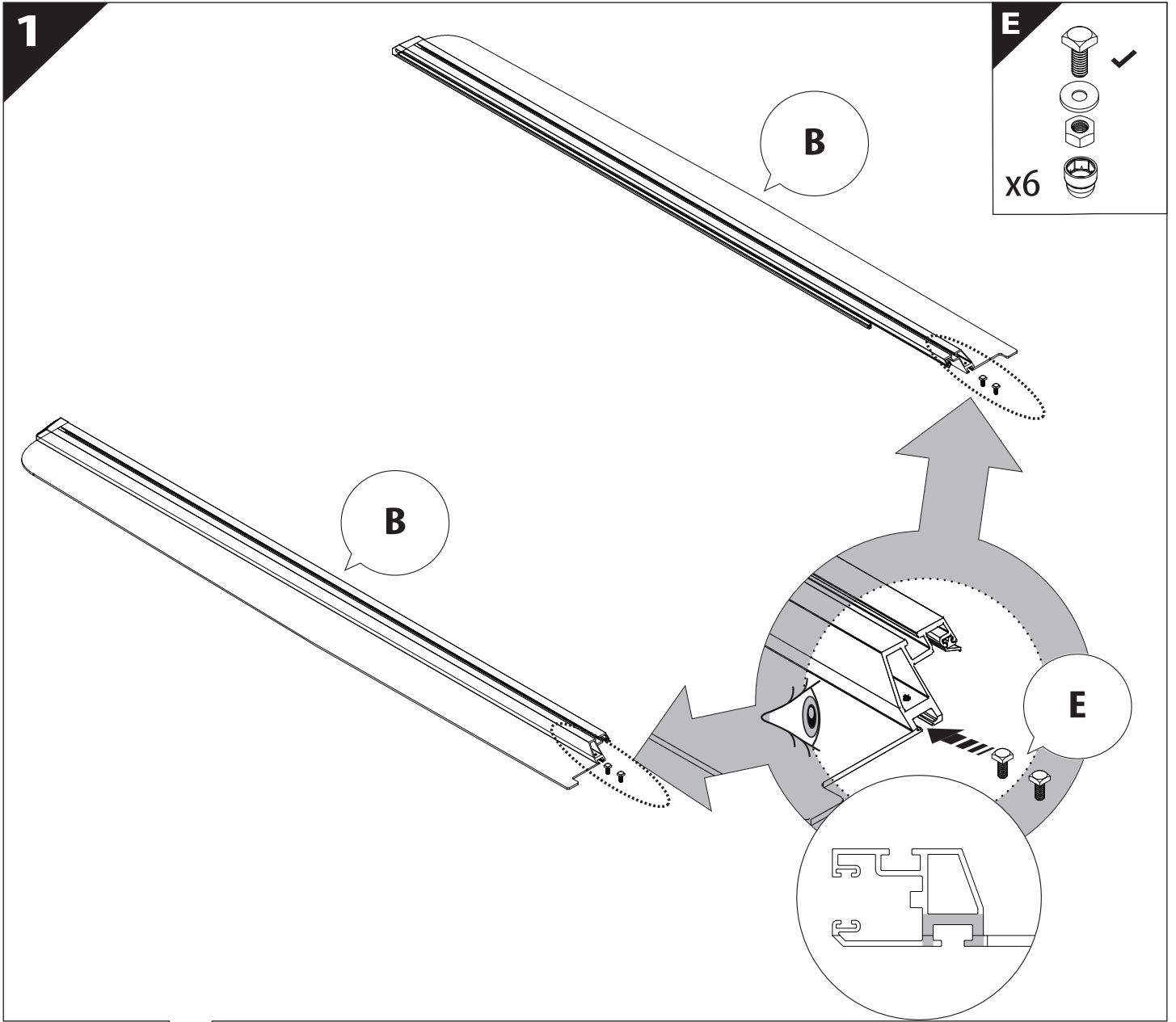


**B**

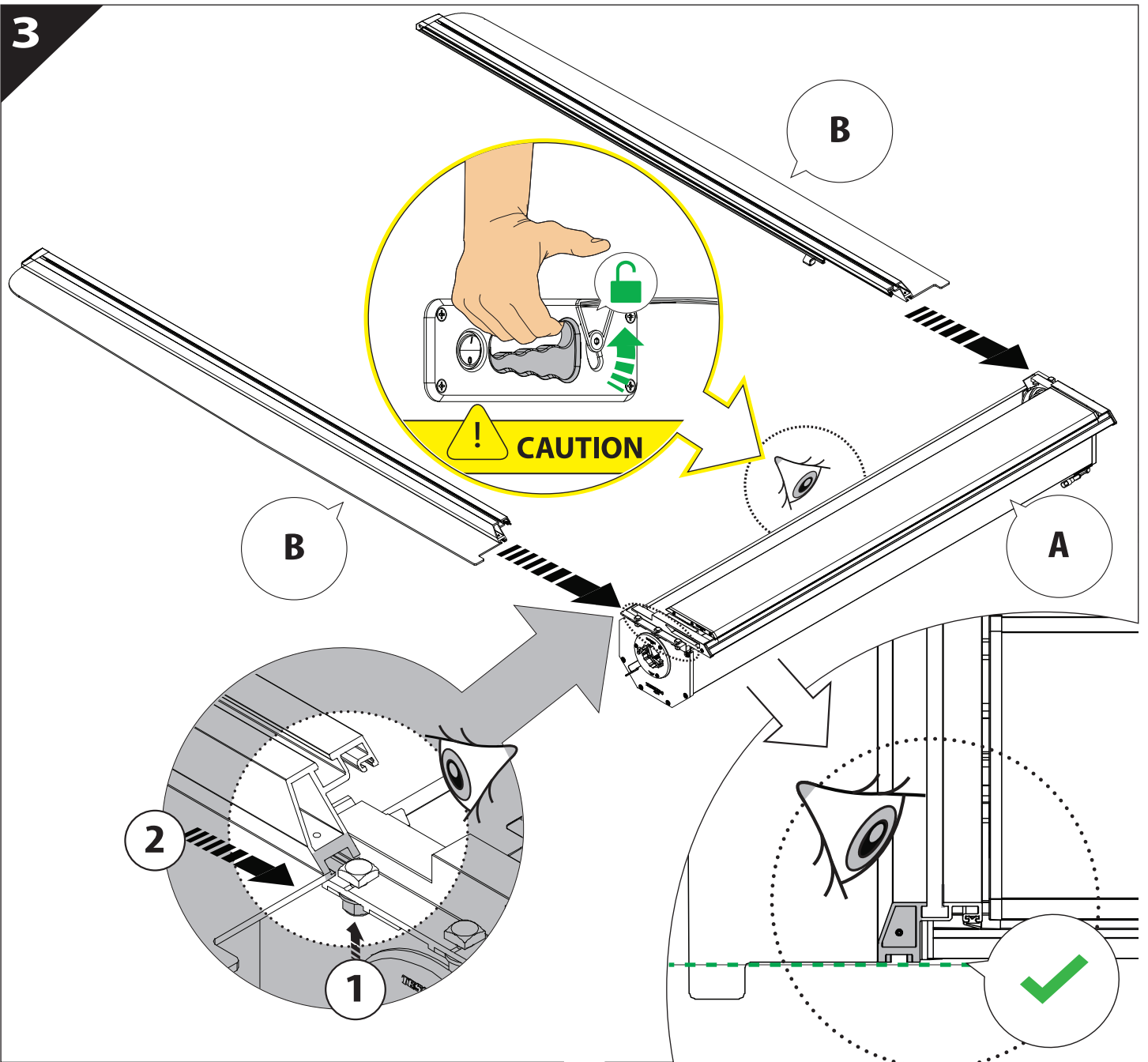
**A**

**KITS**

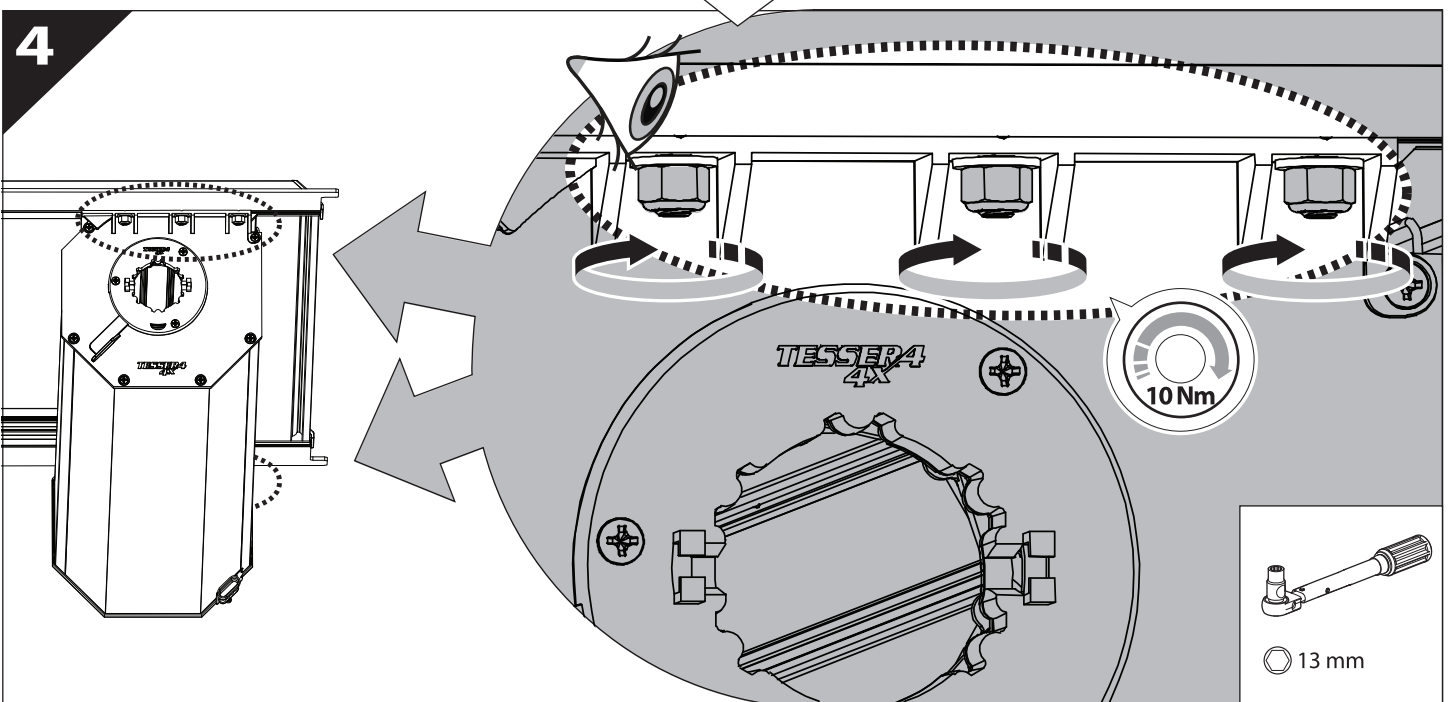
**L**

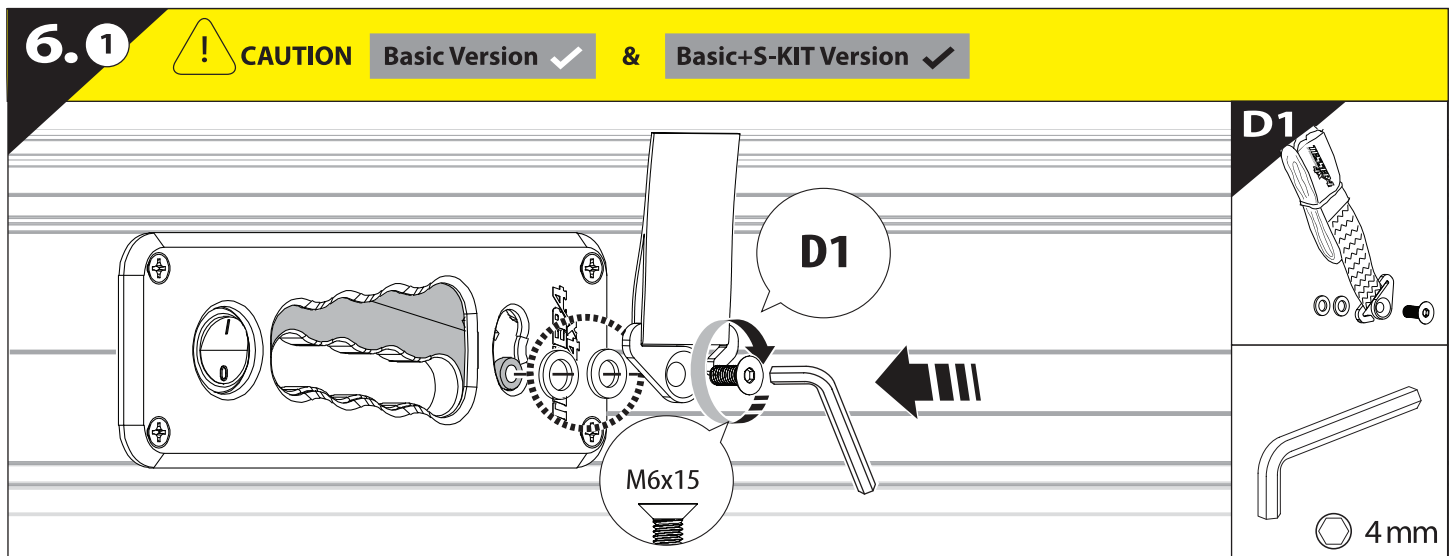
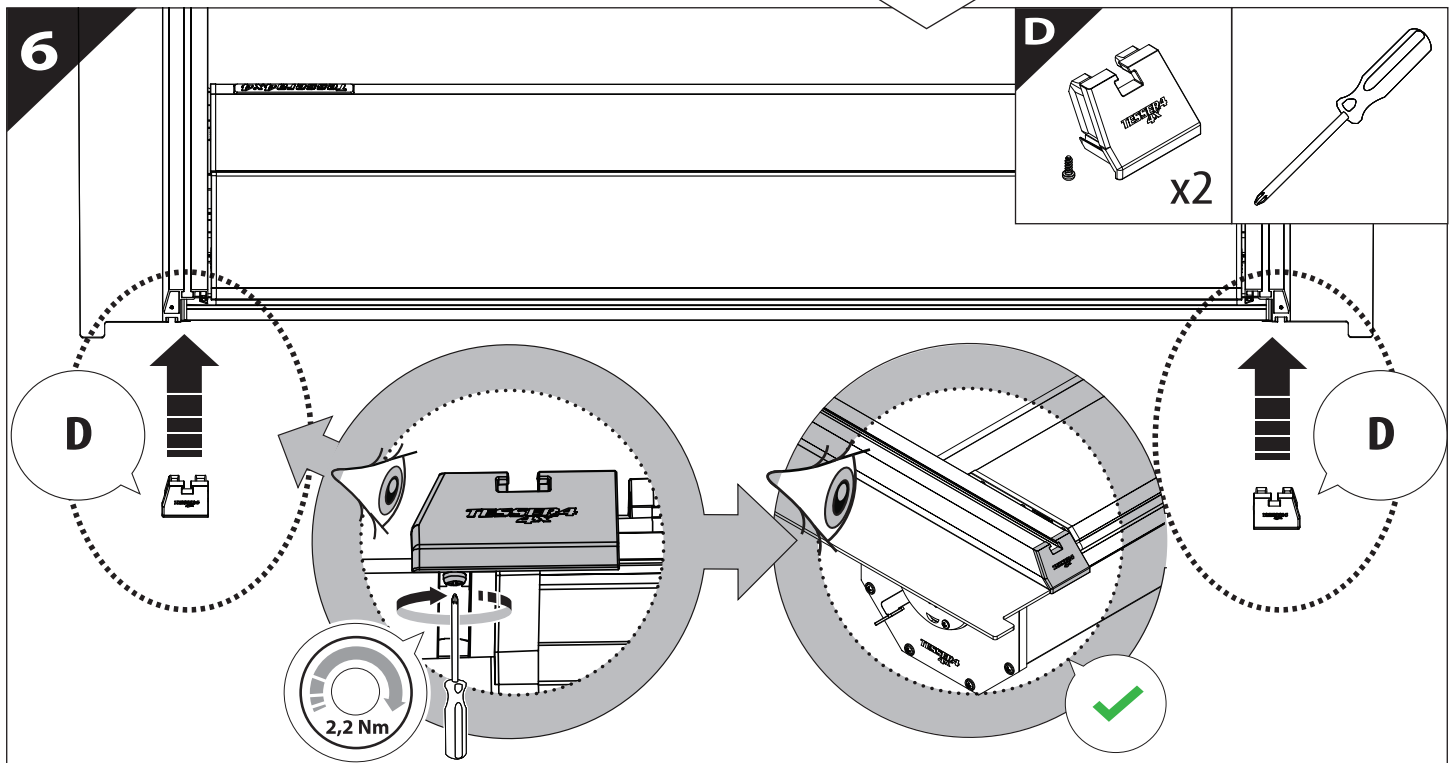
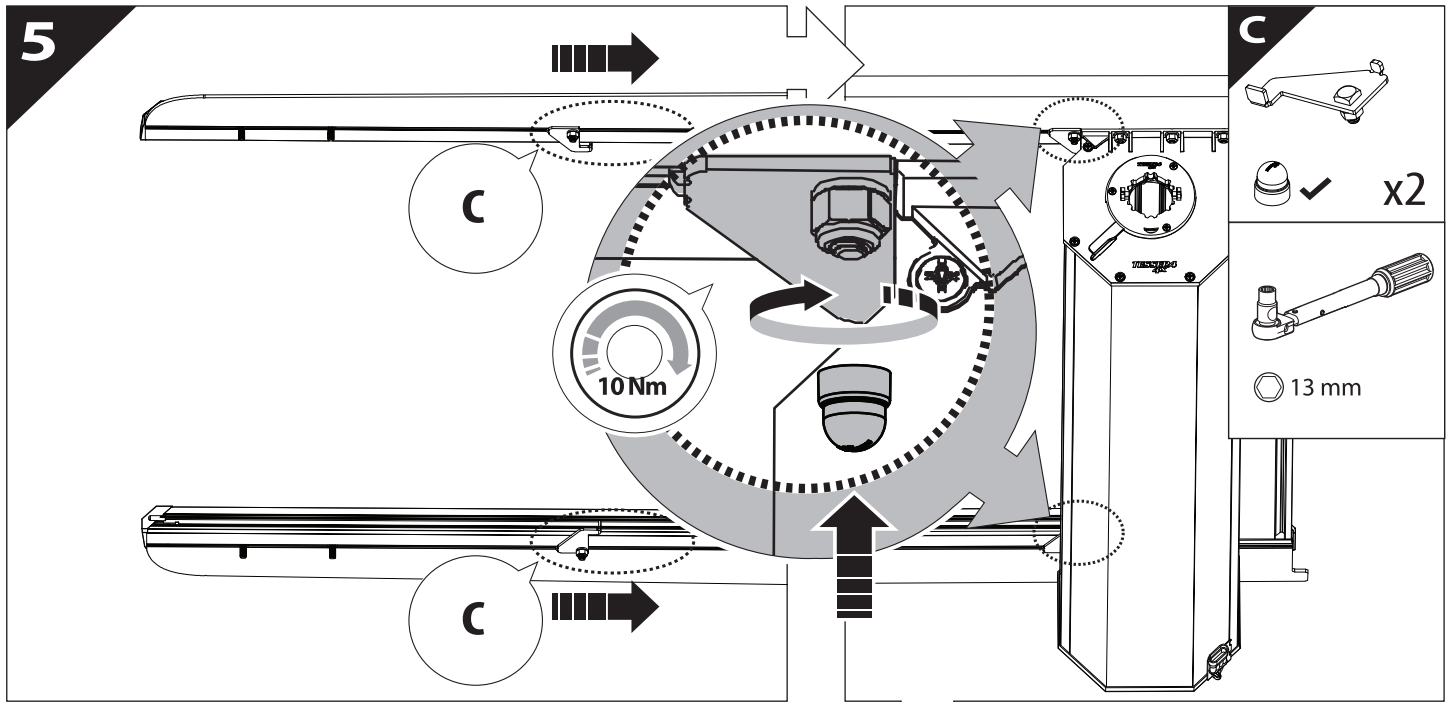


3



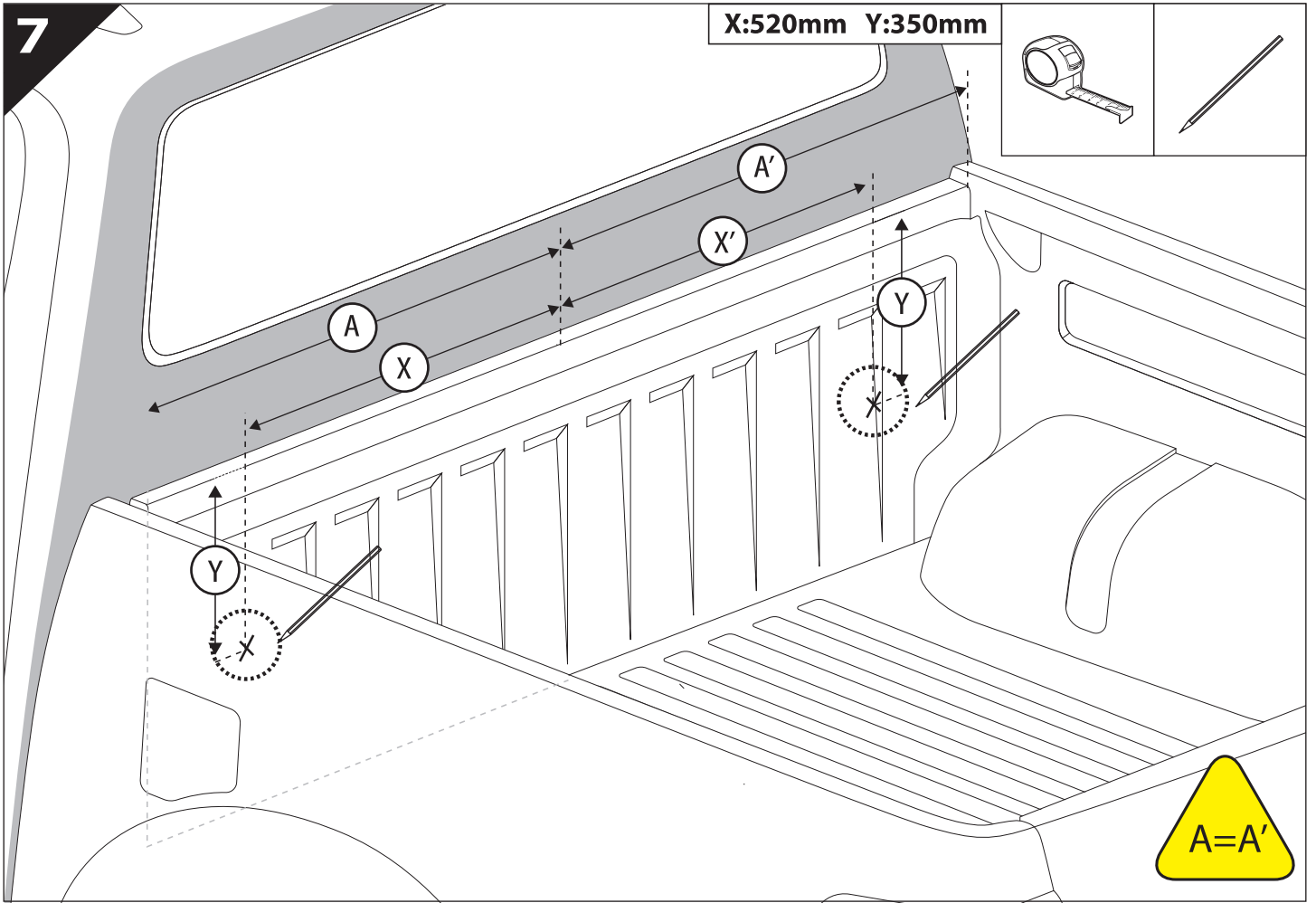
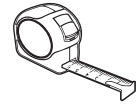
4

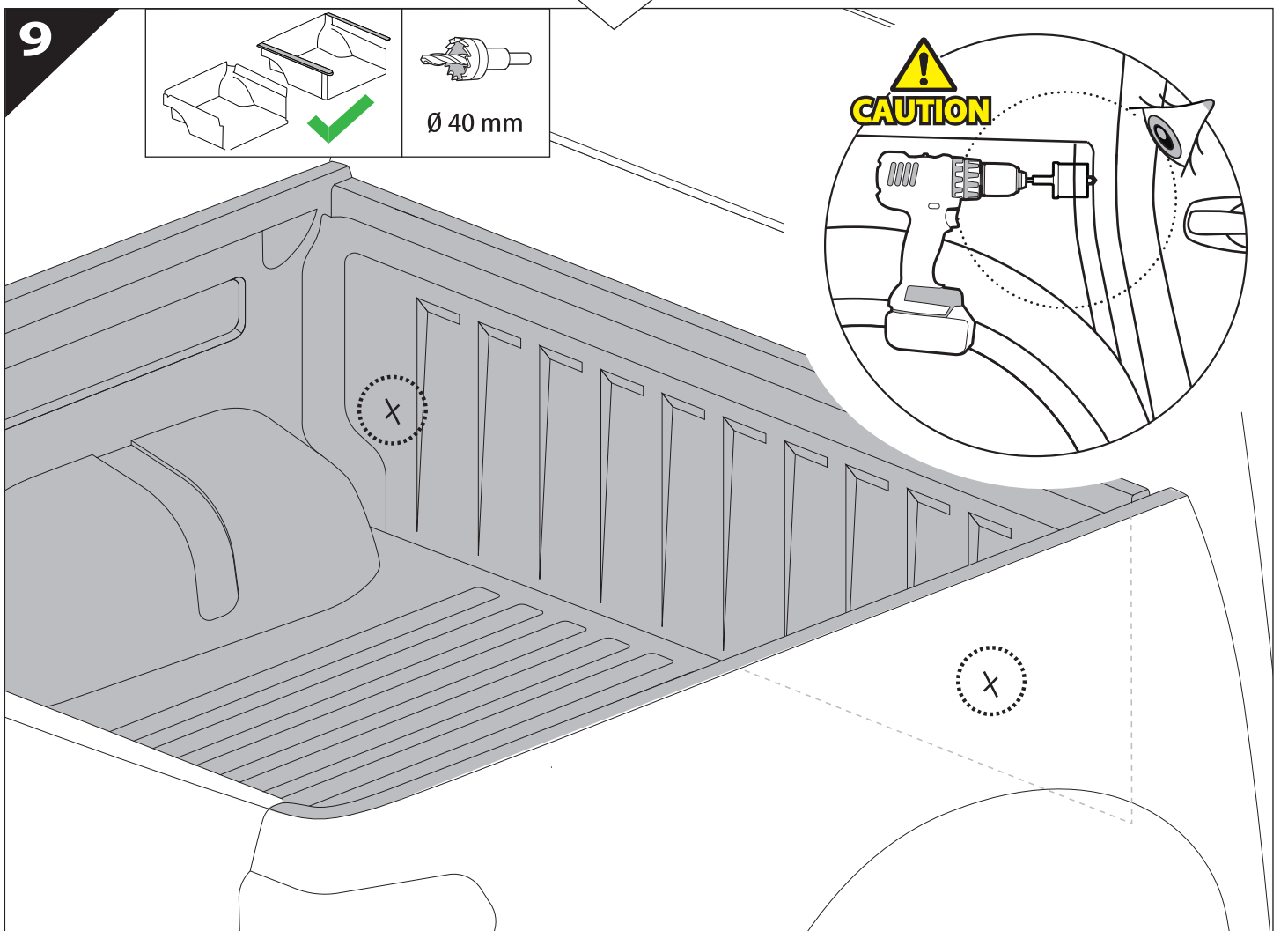
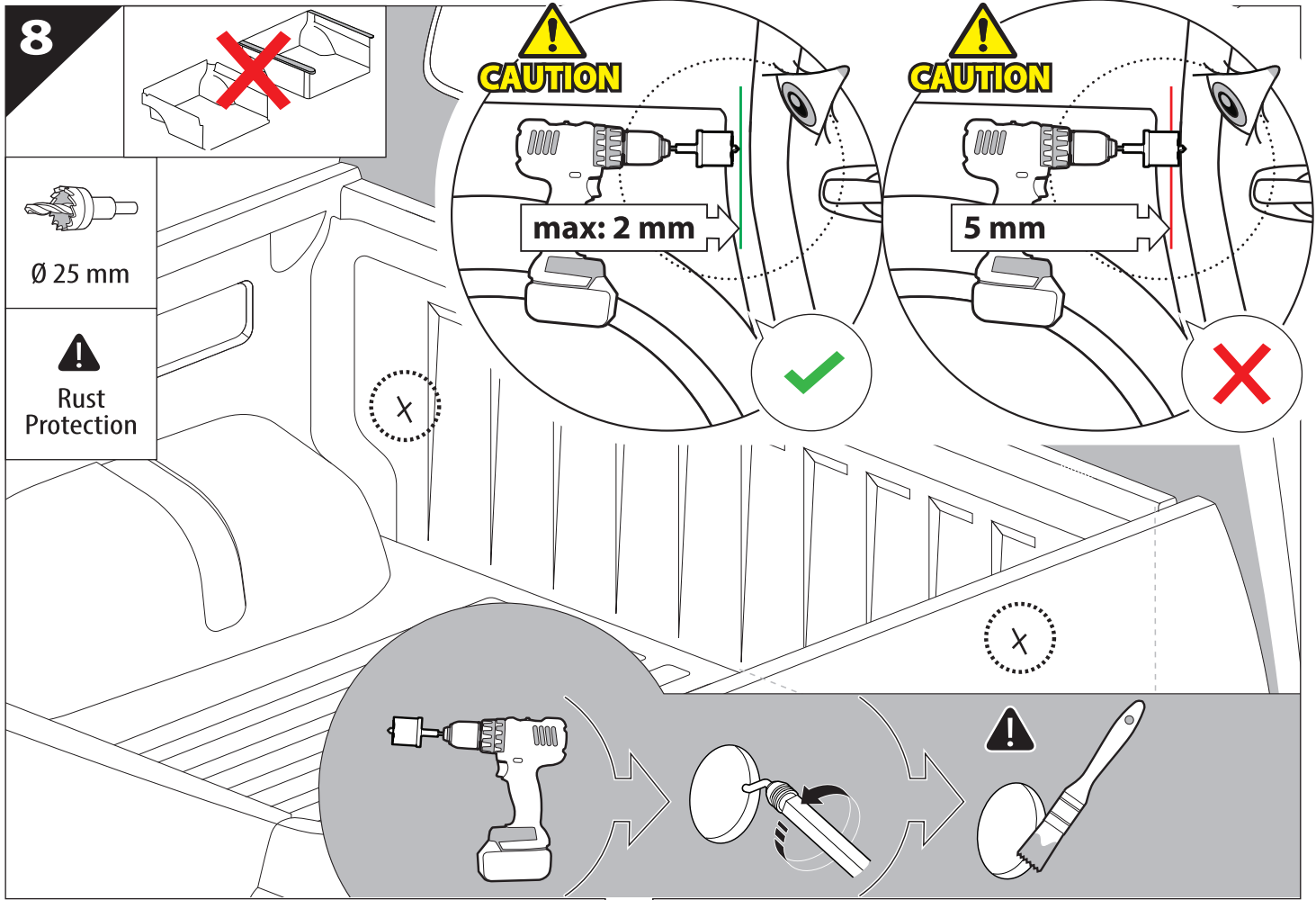




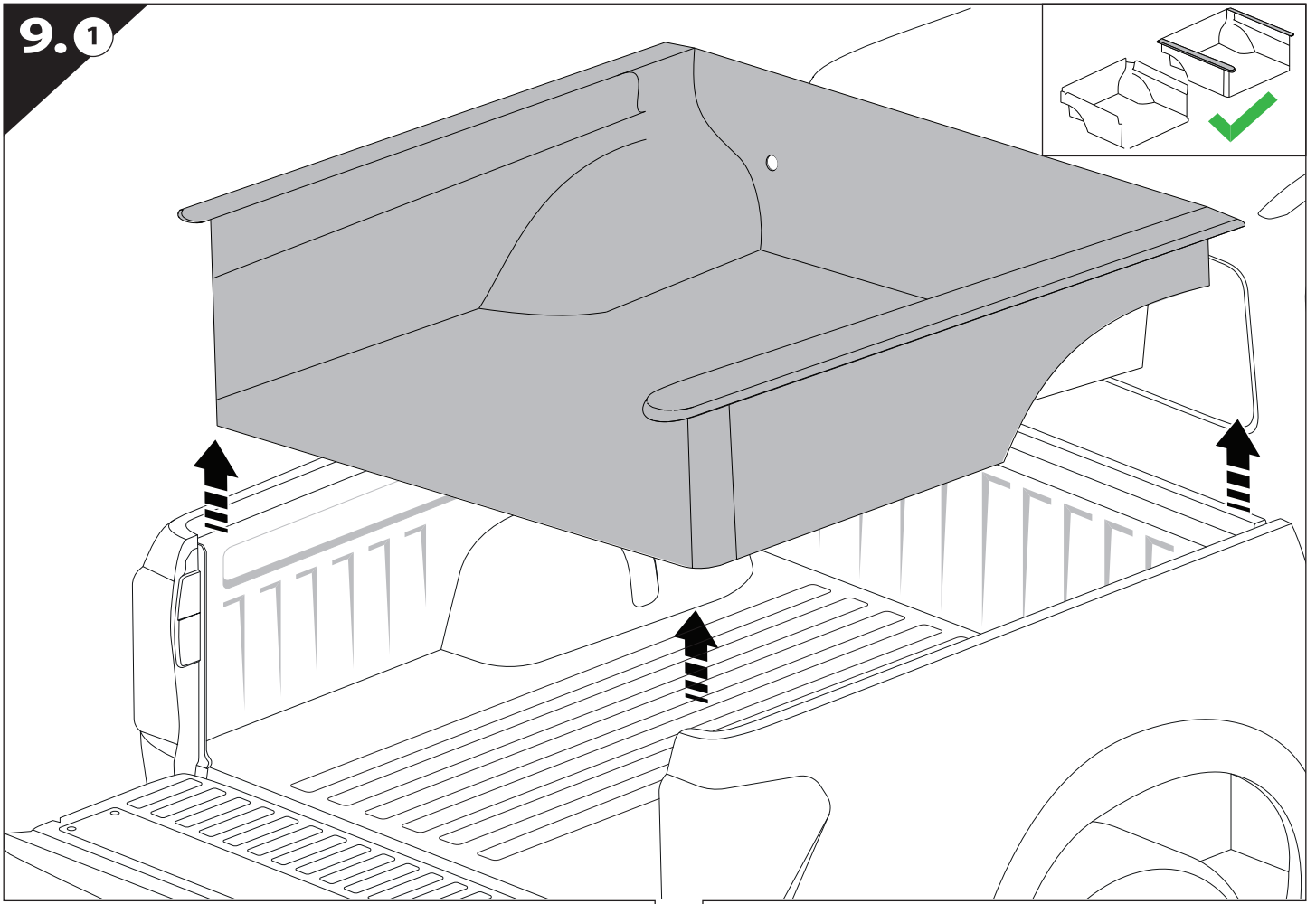
7

X:520mm Y:350mm

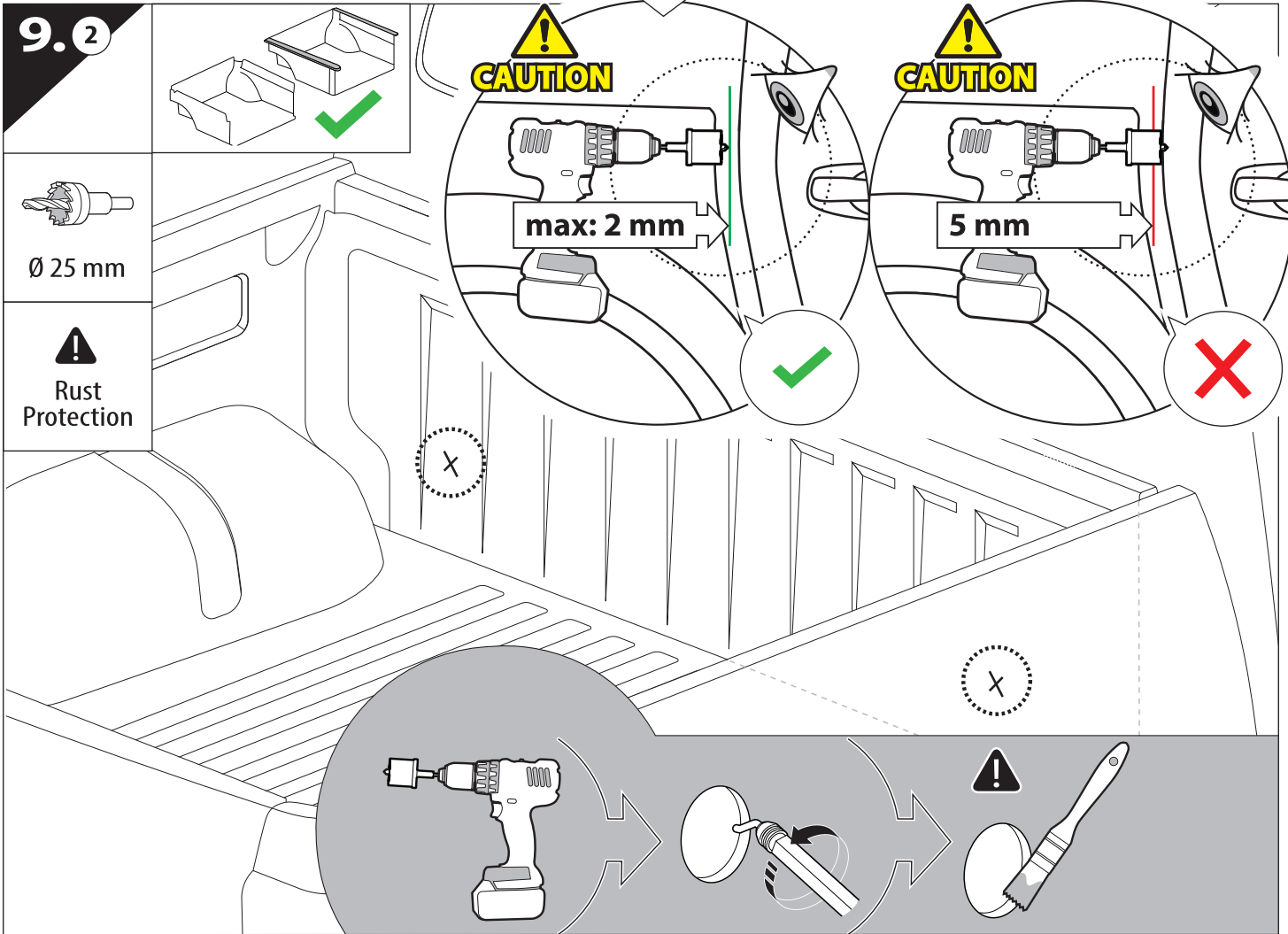




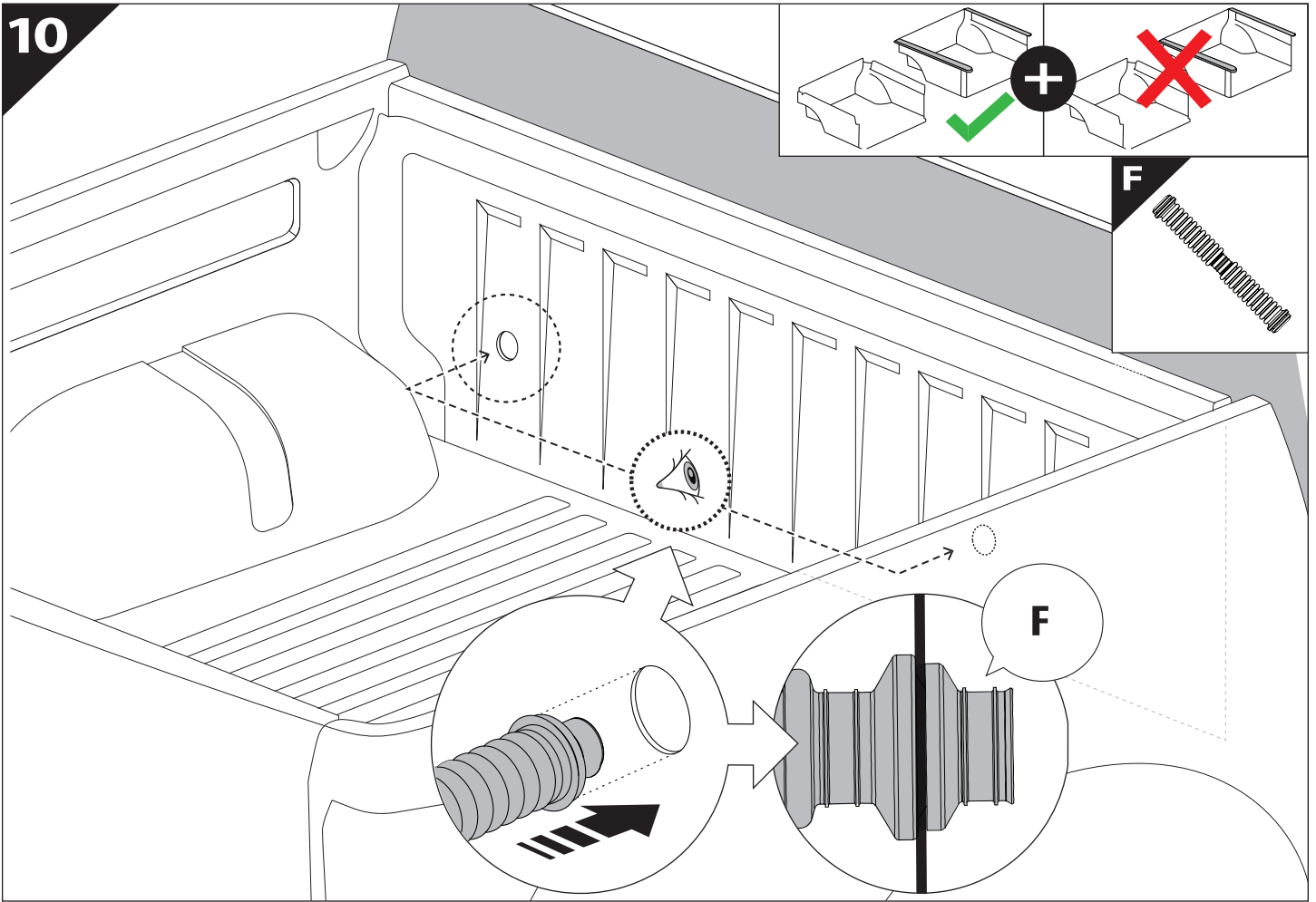
9.1



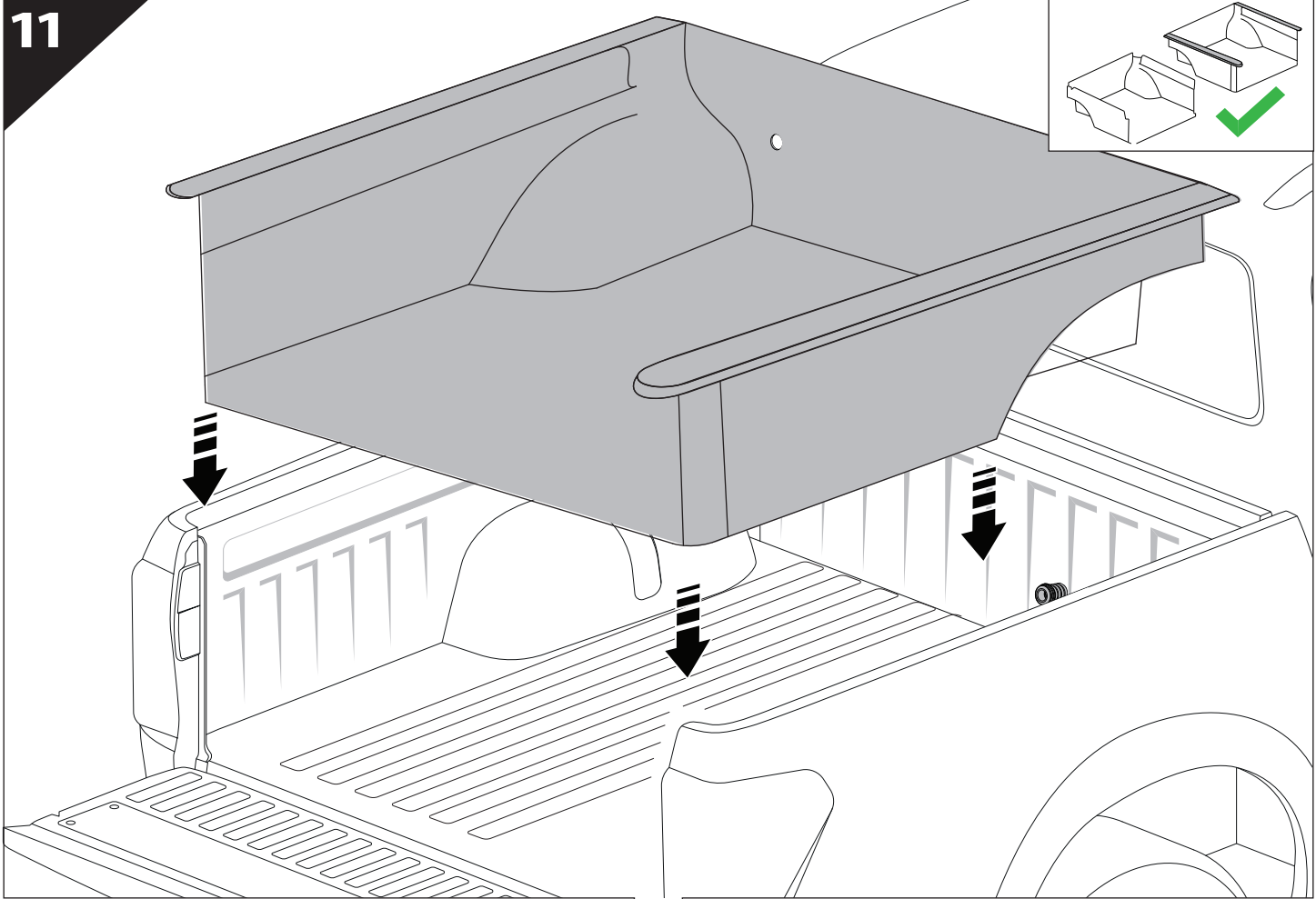
9.2



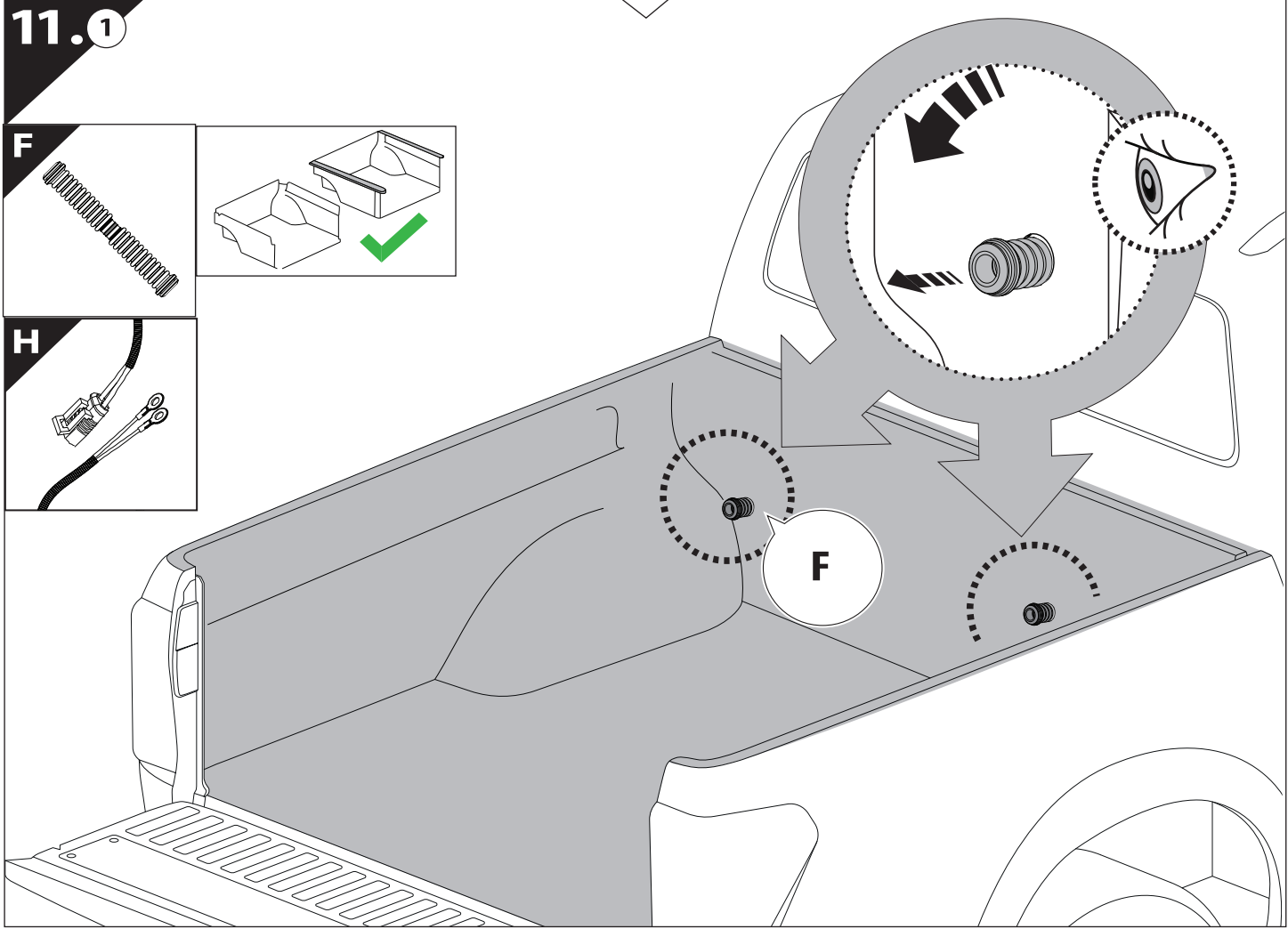
10

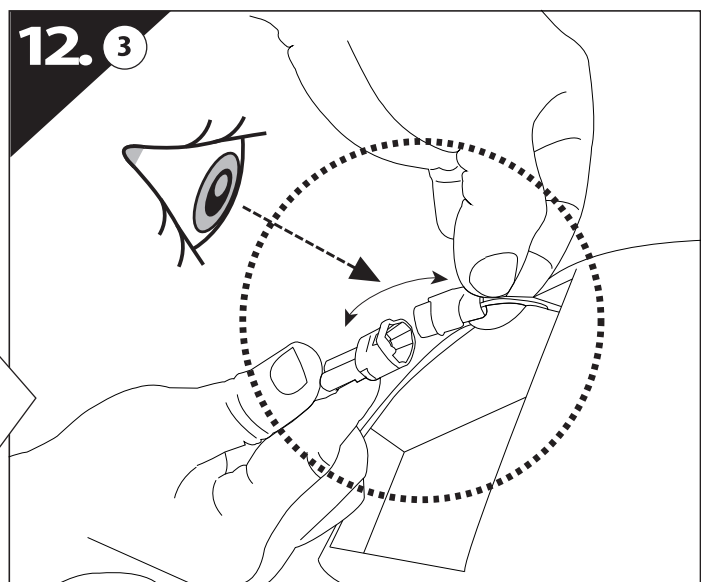
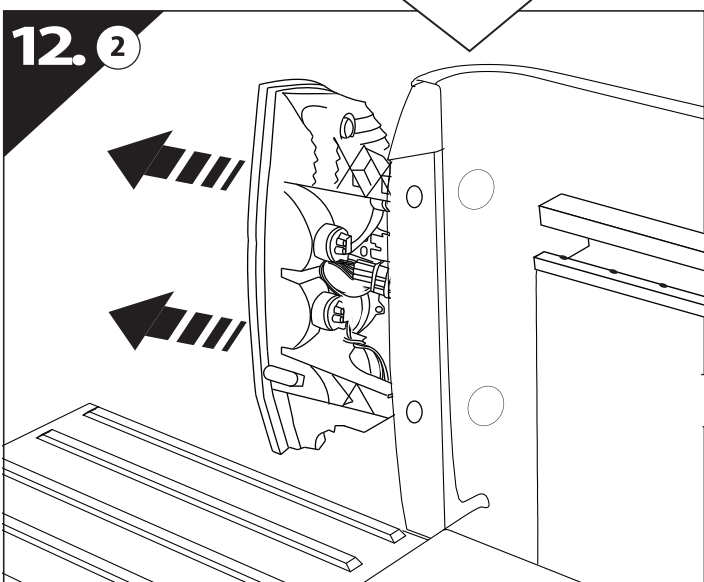
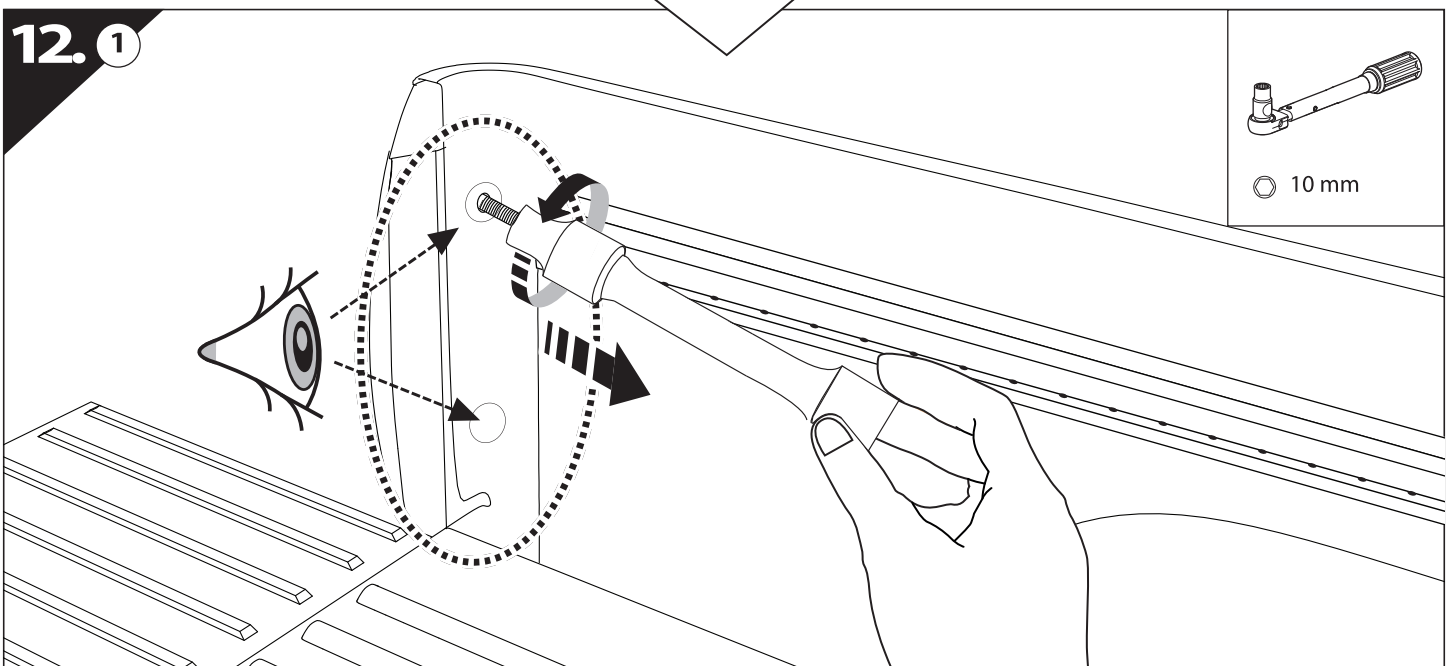
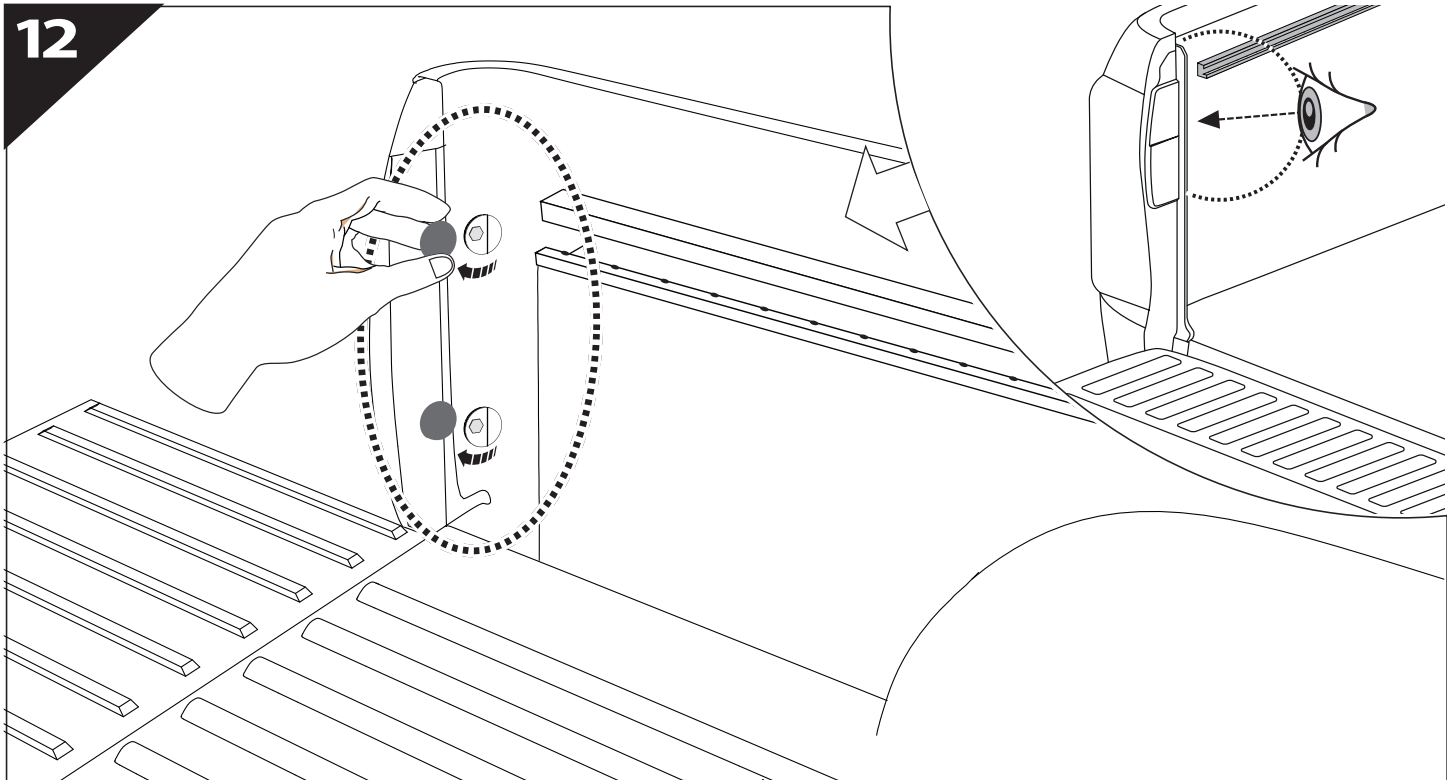


11

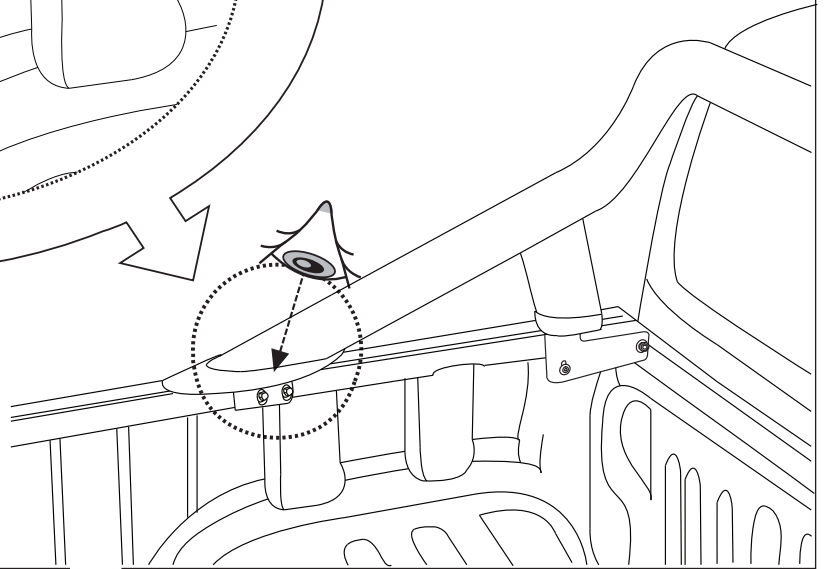
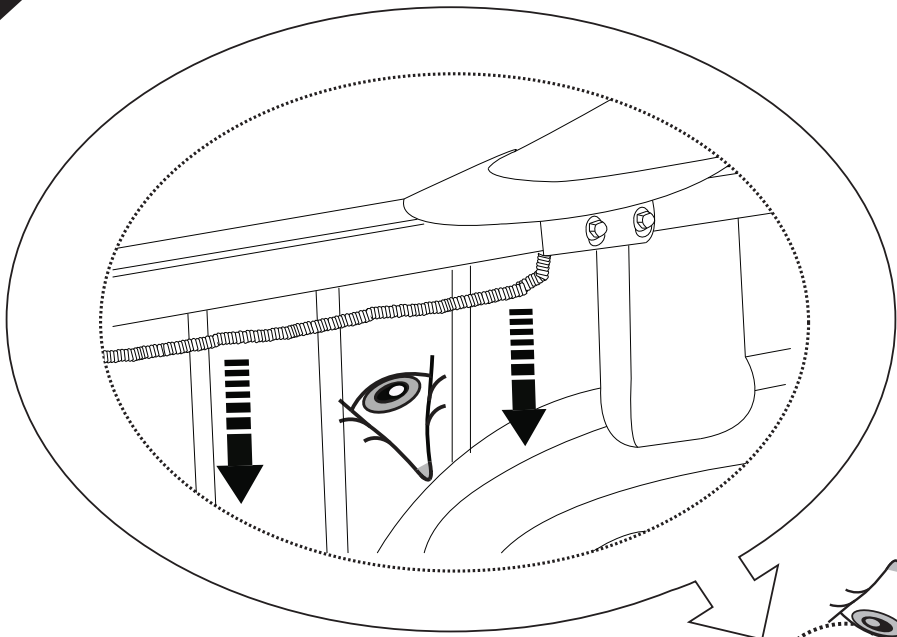


11.1

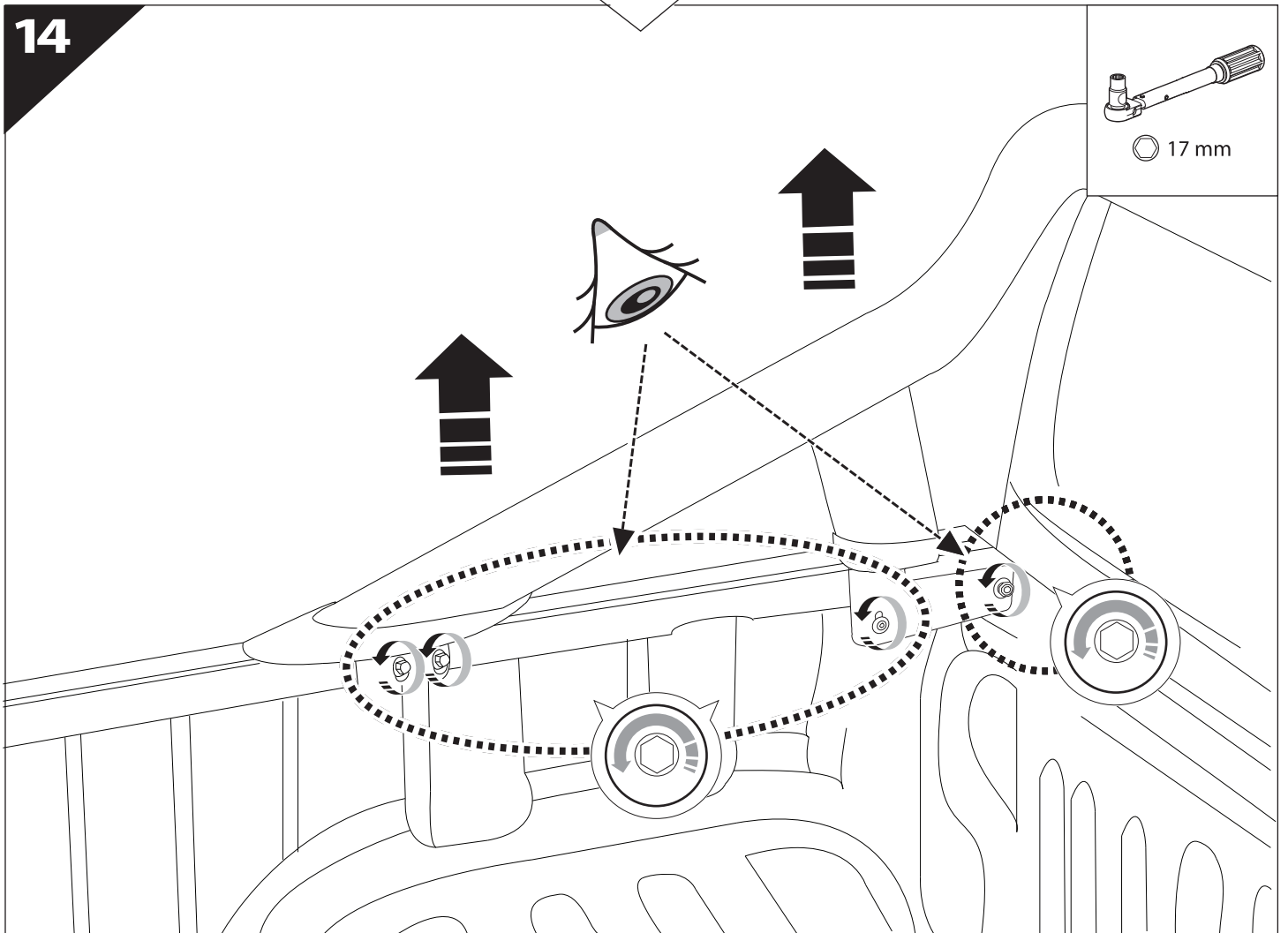


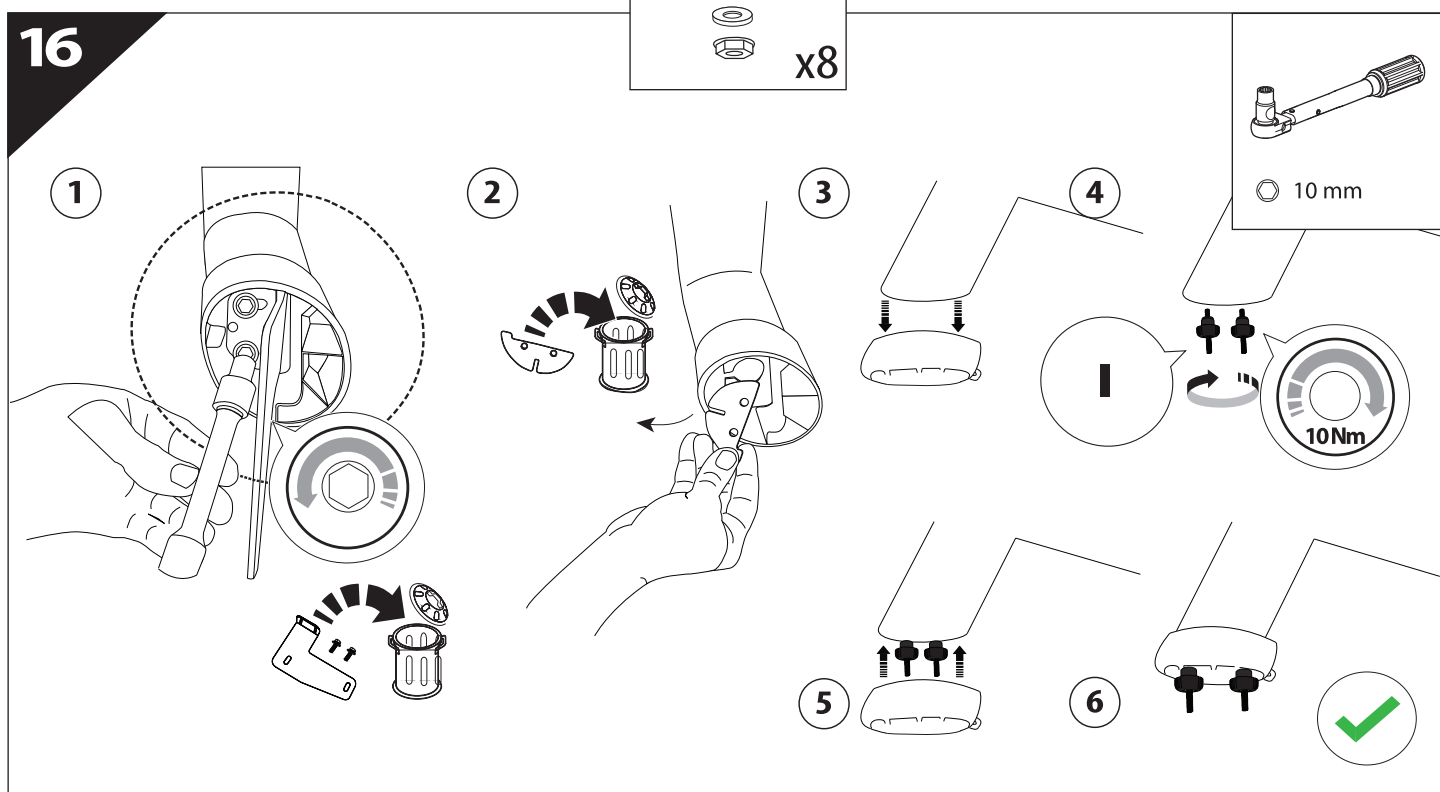
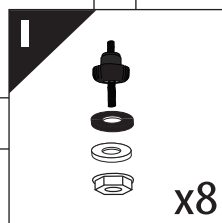
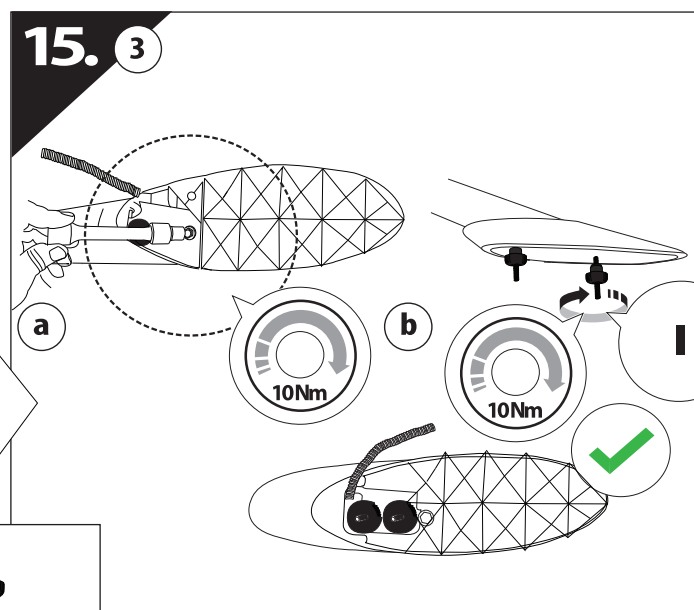
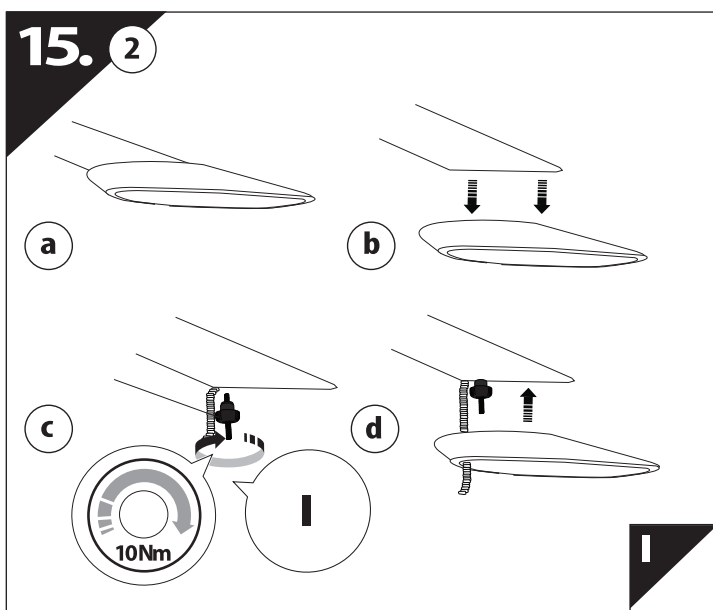
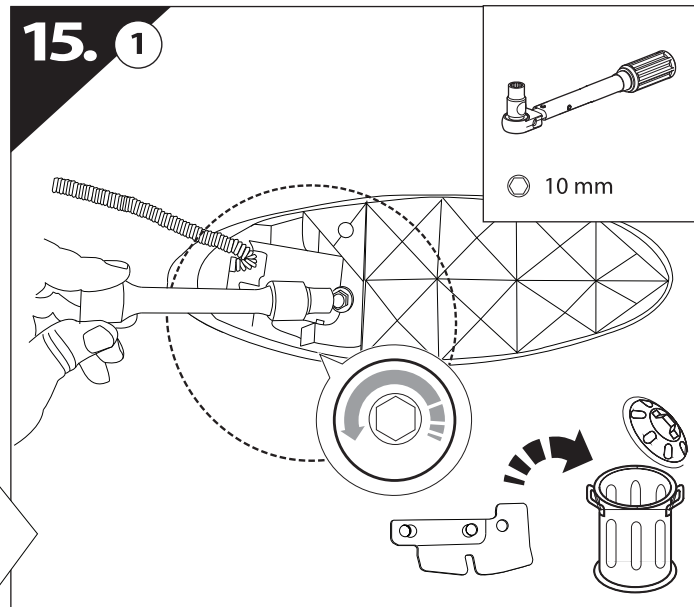
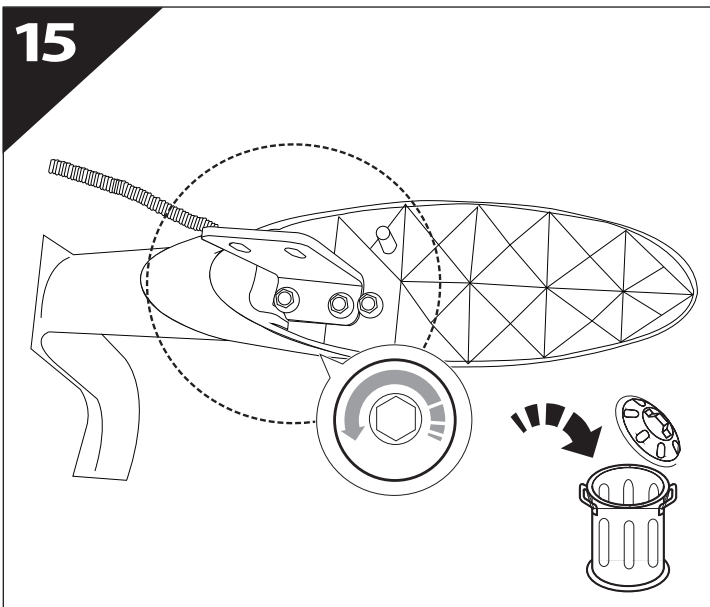


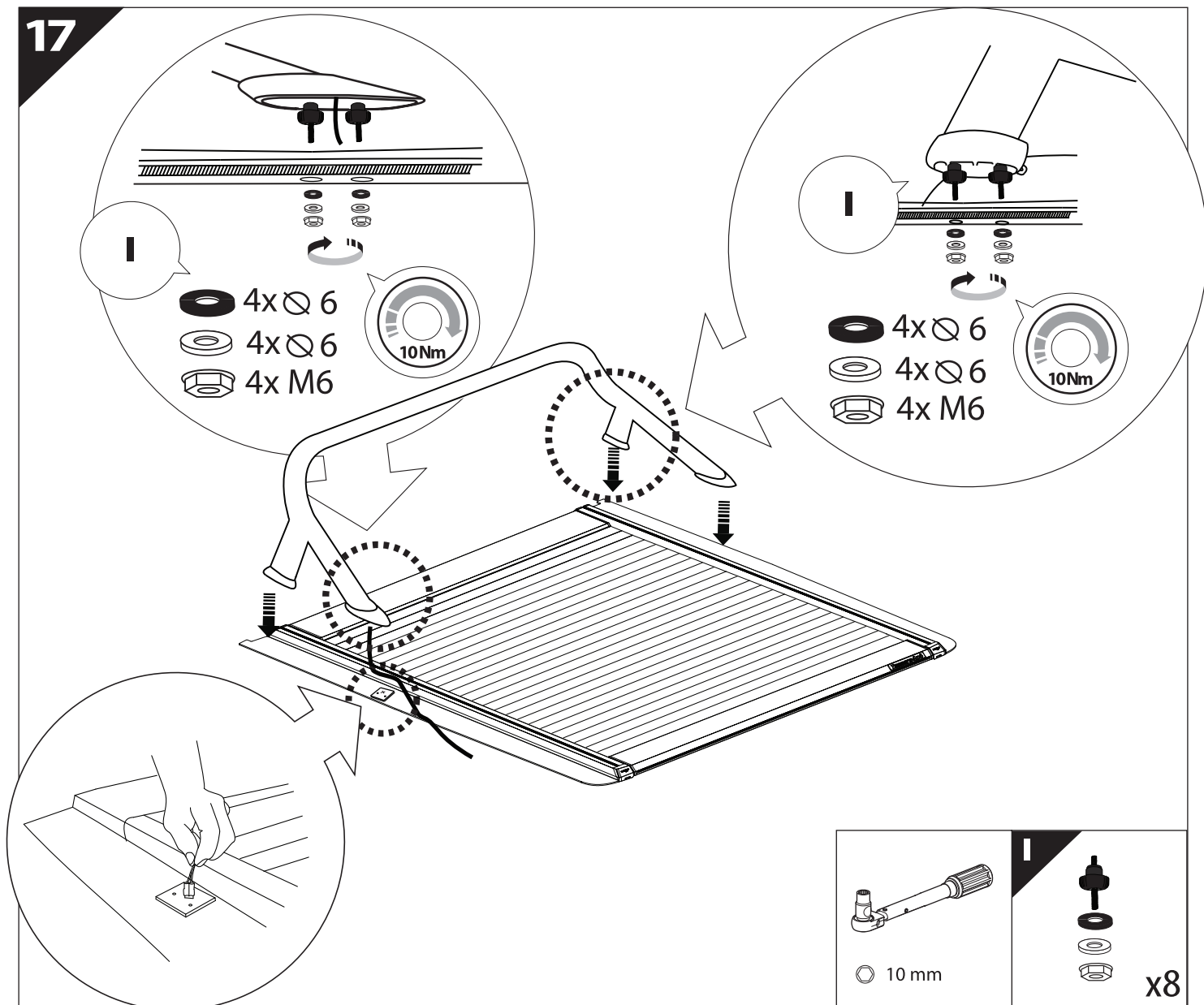
13



14

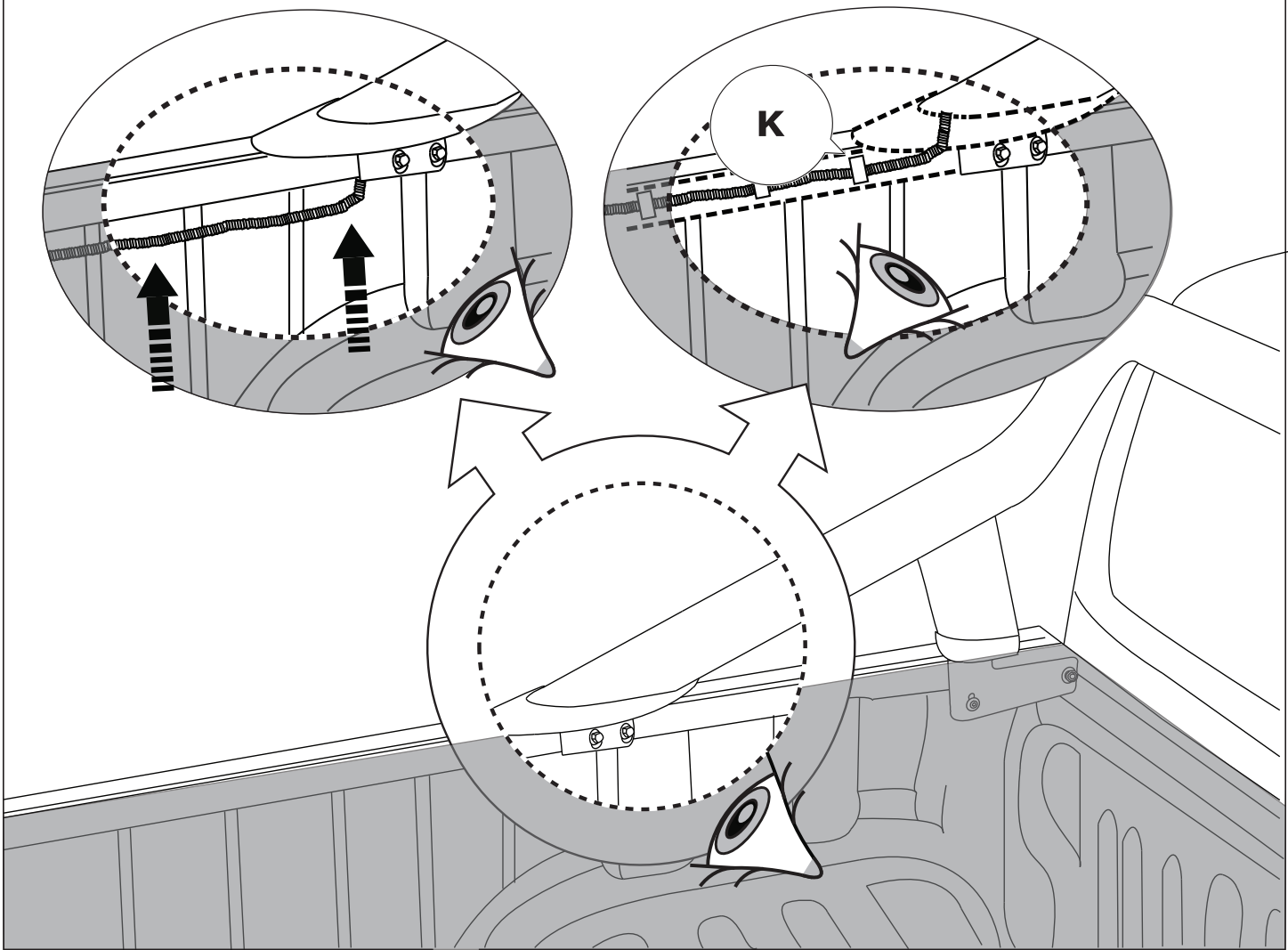
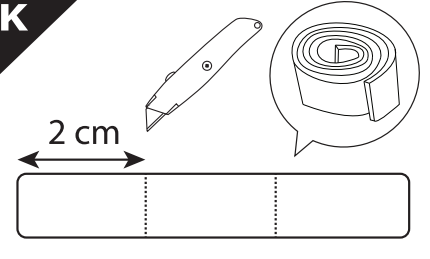




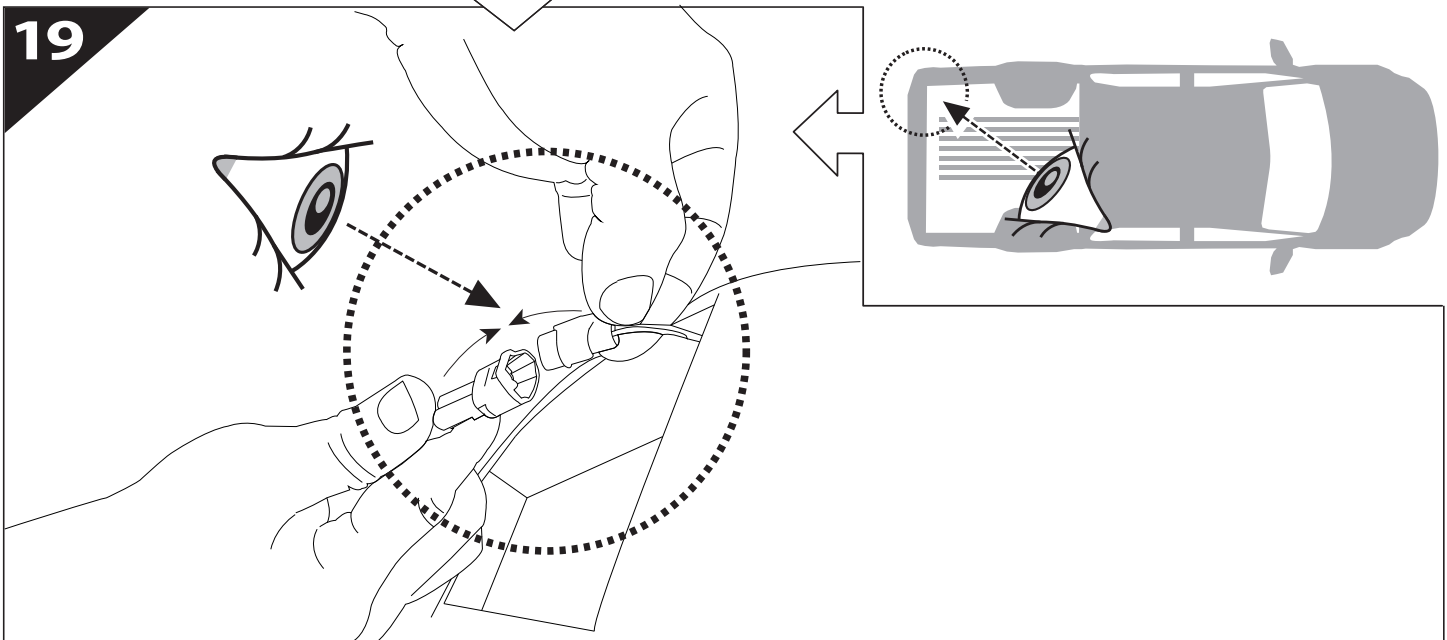


18

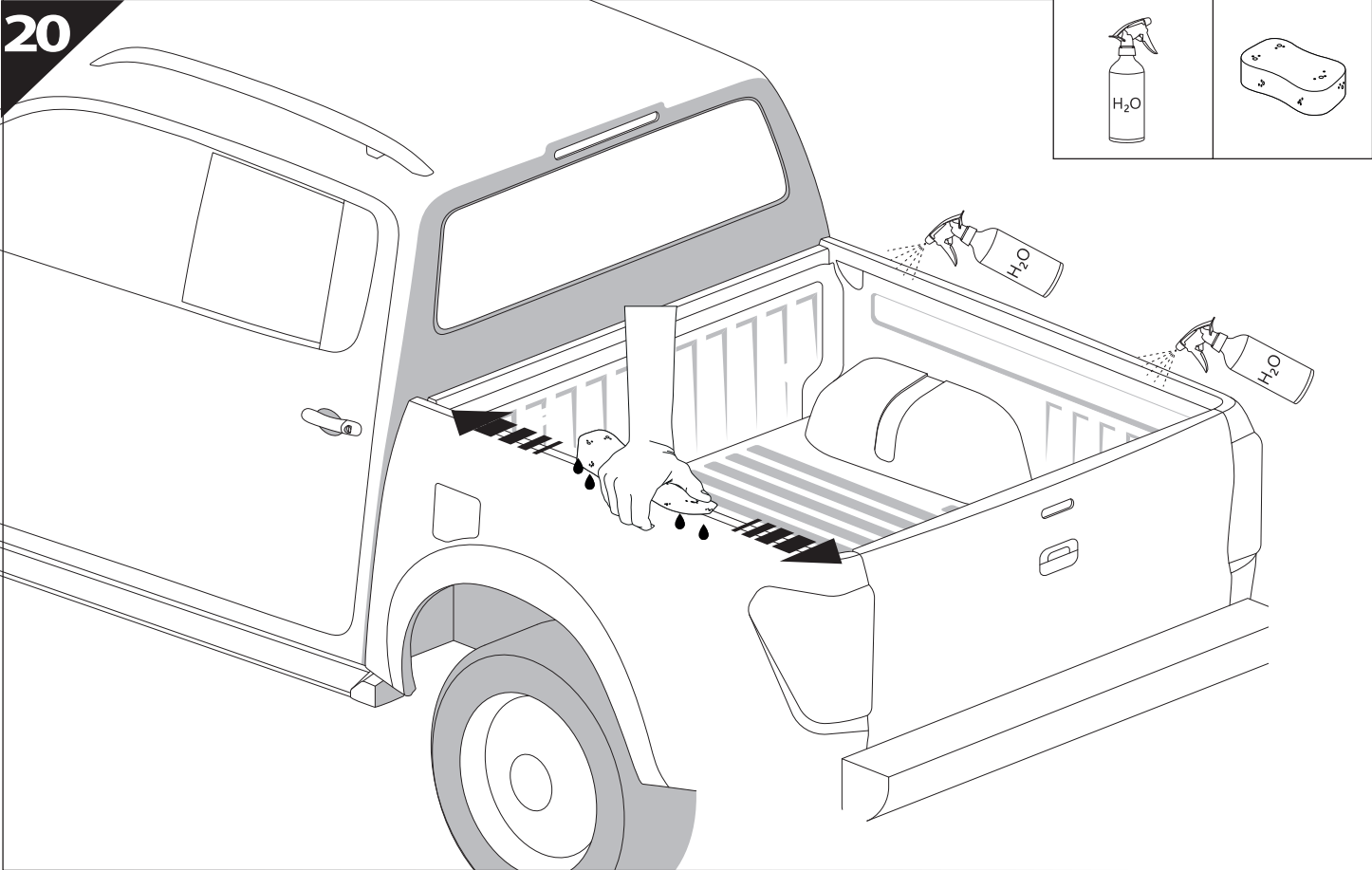
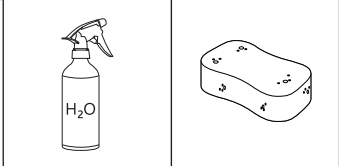
K



19

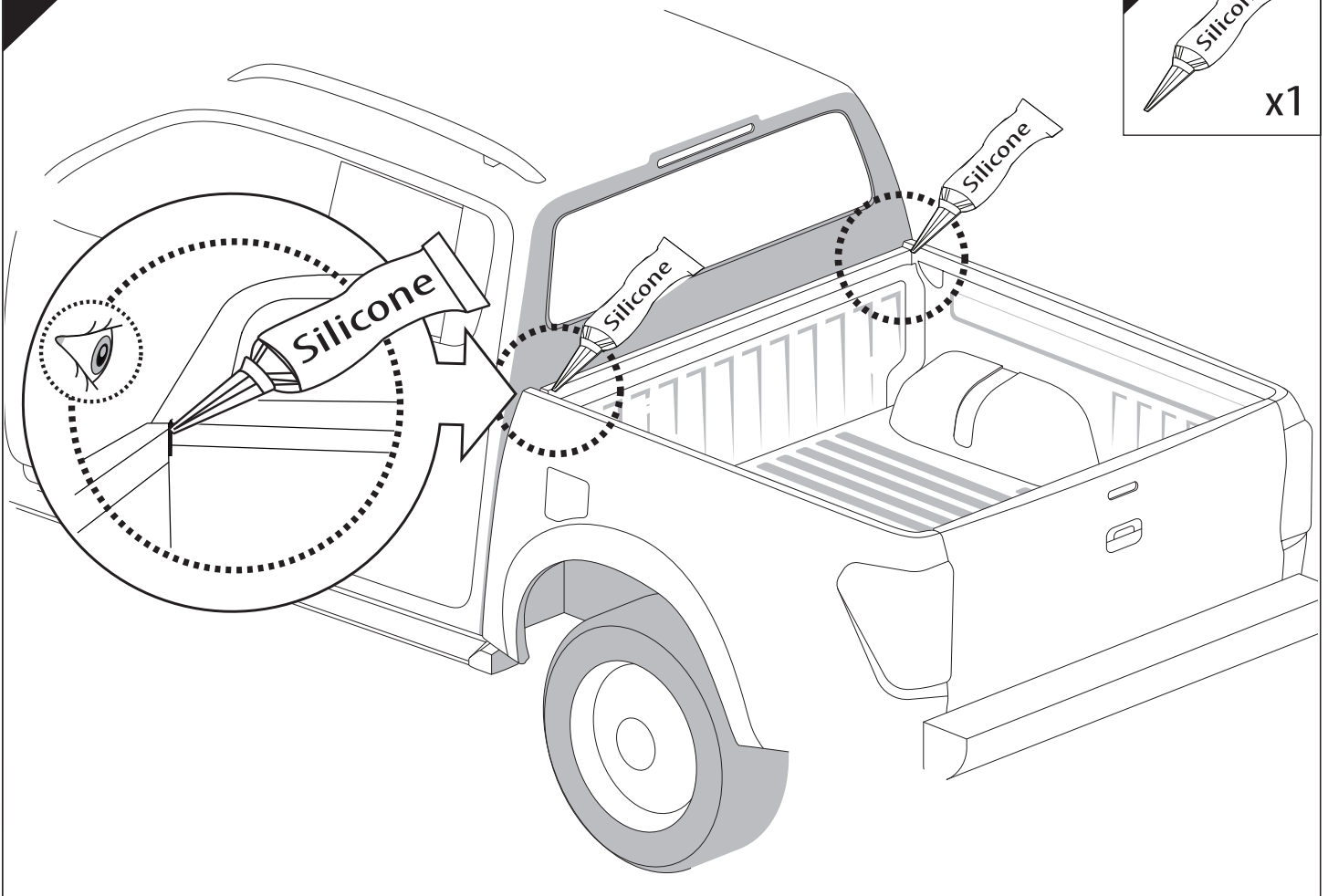


20



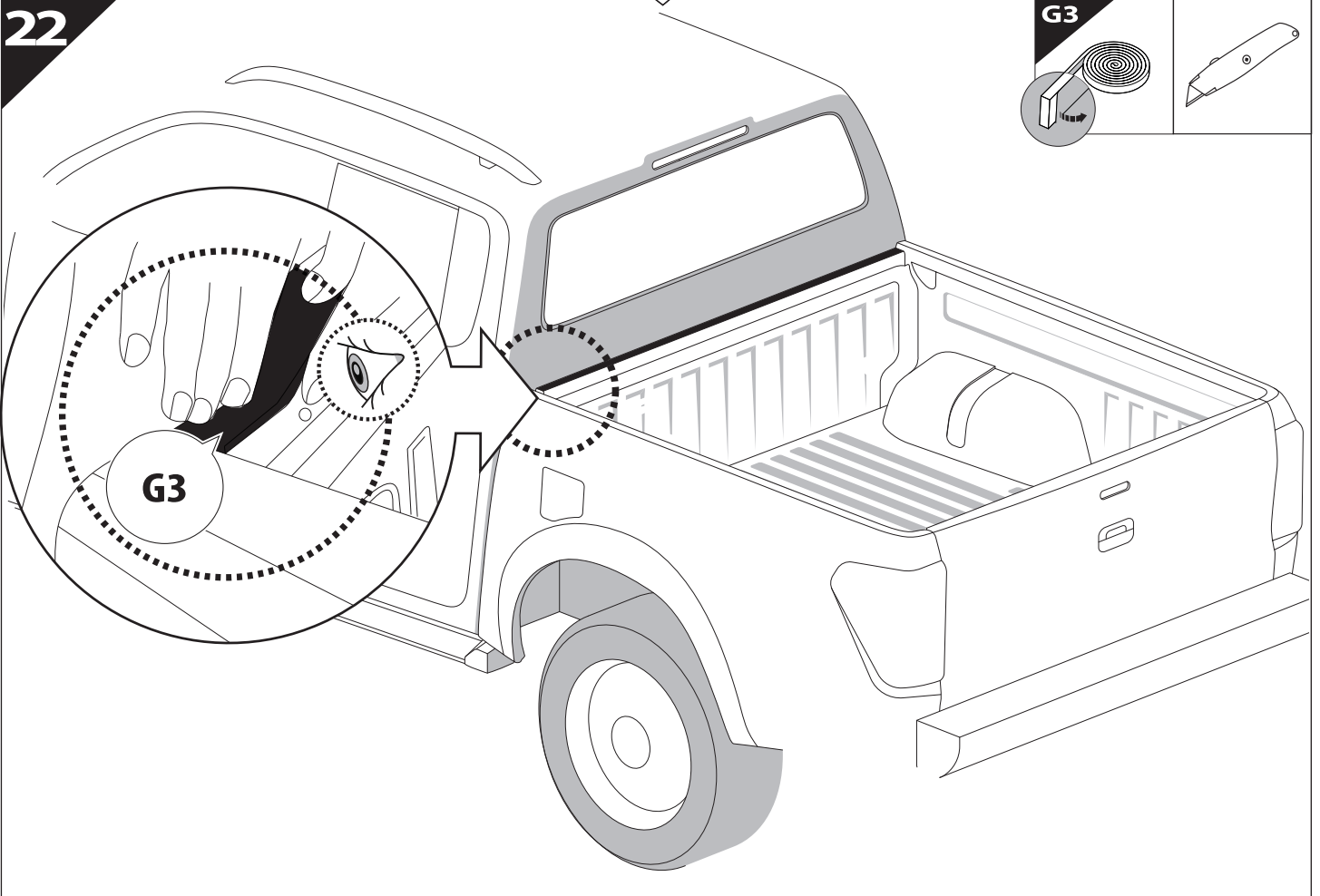
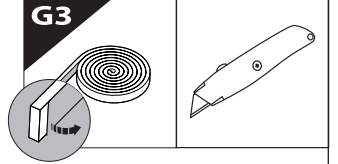
21

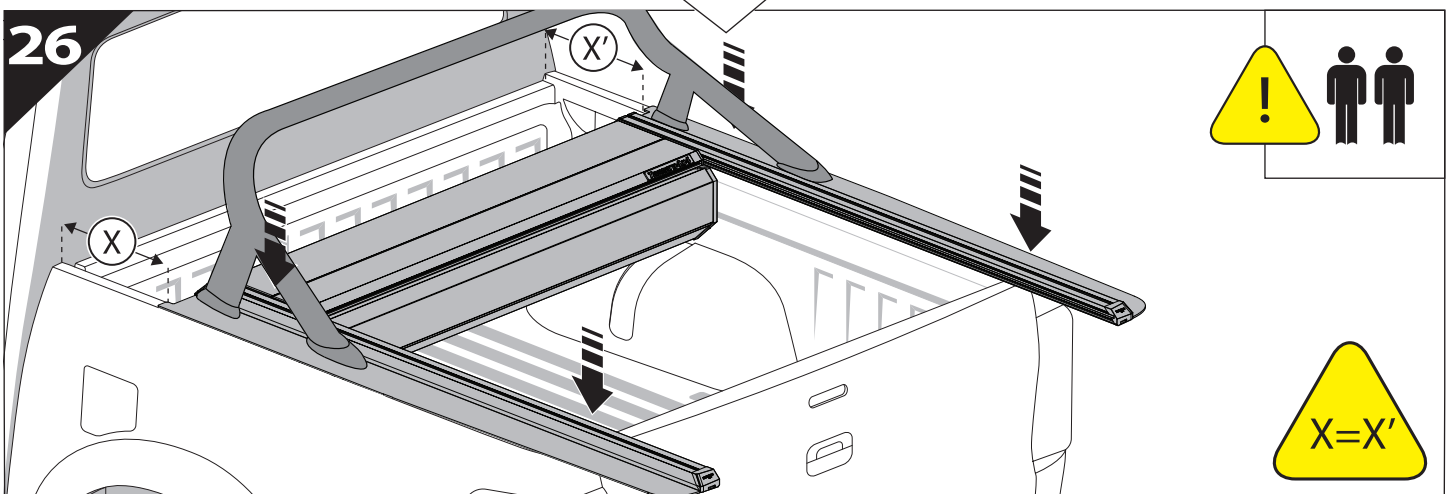
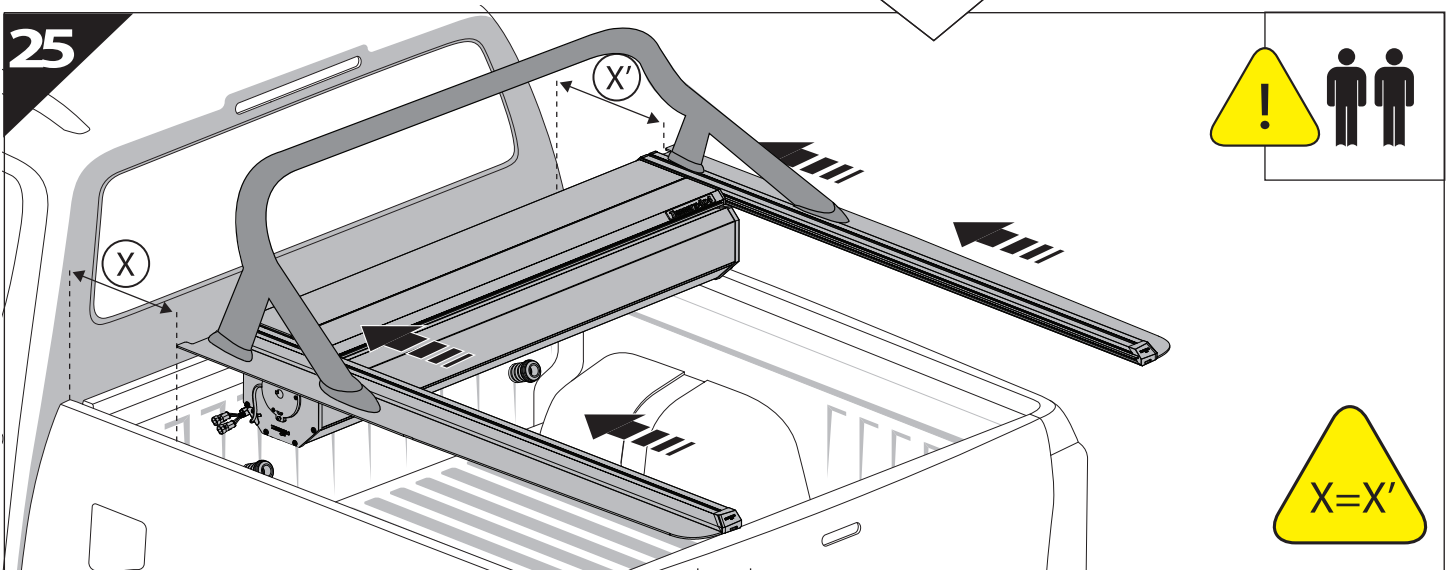
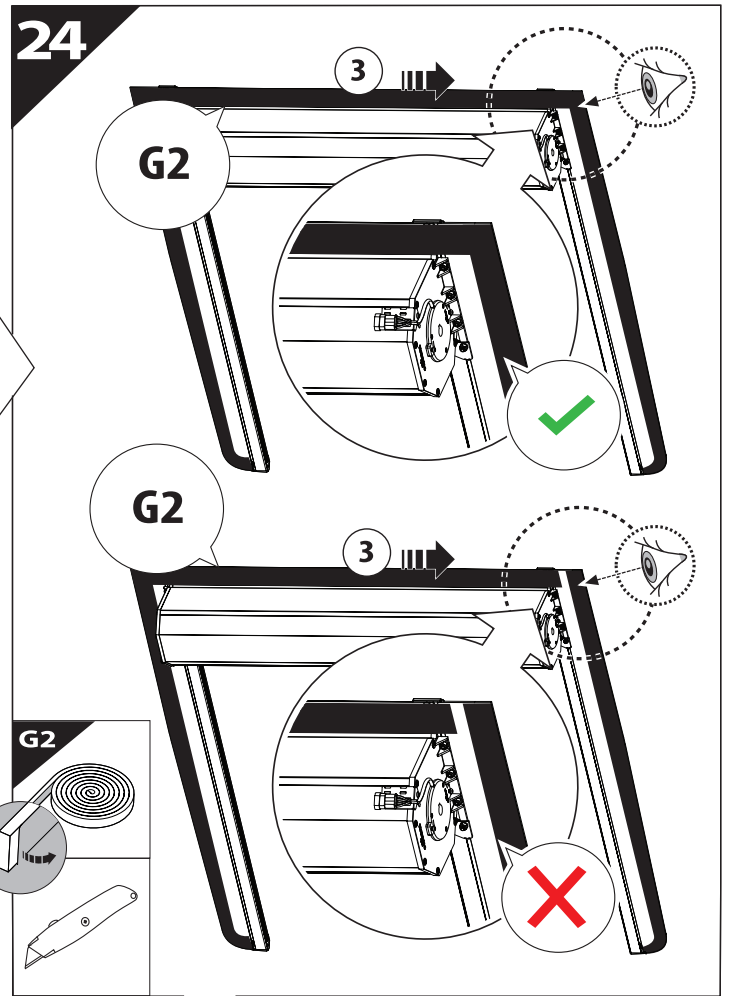
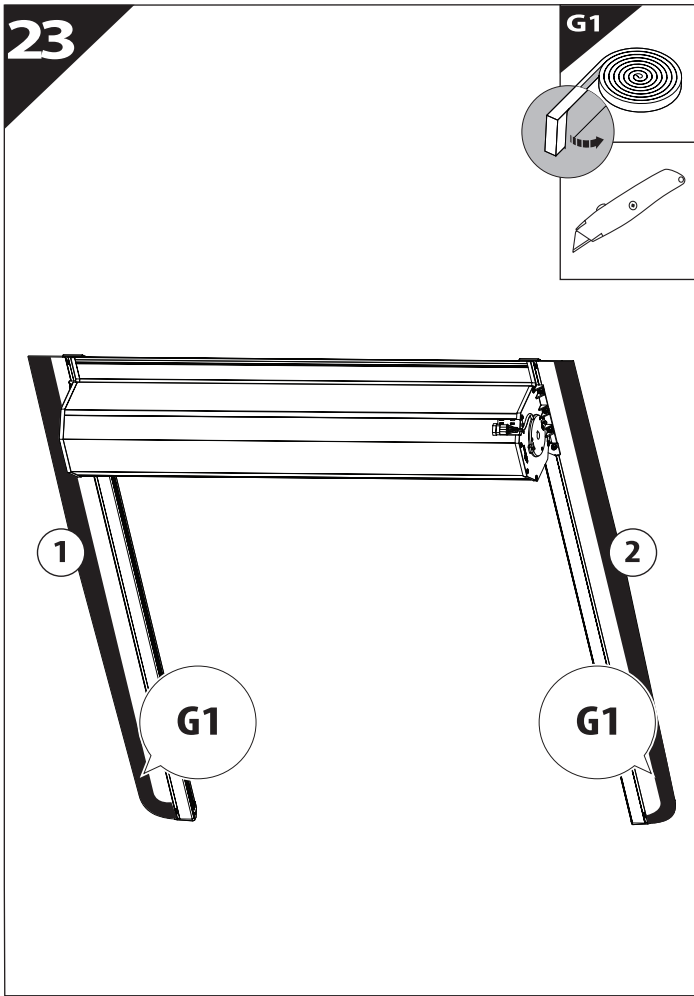
J



22

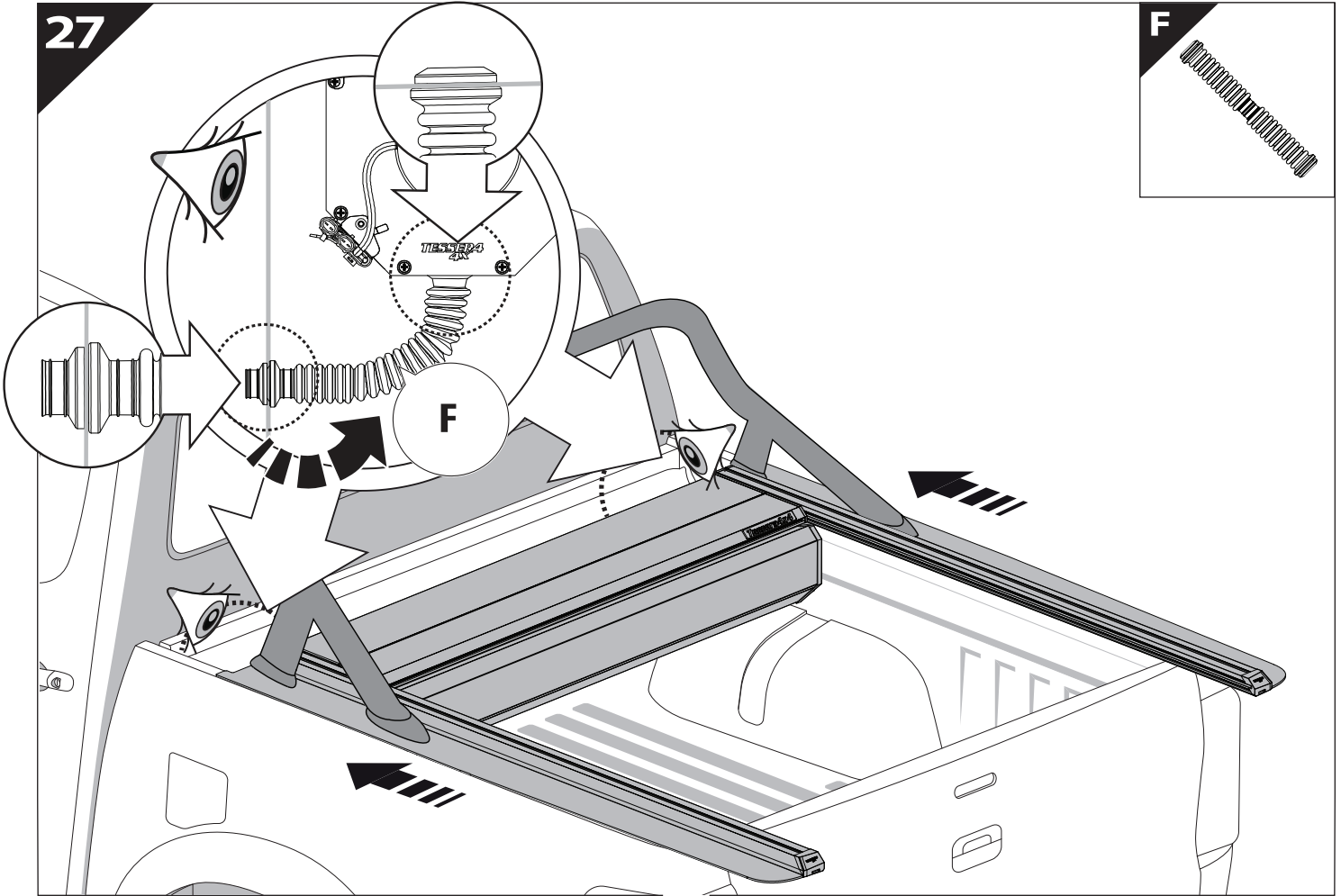
G3



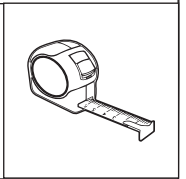
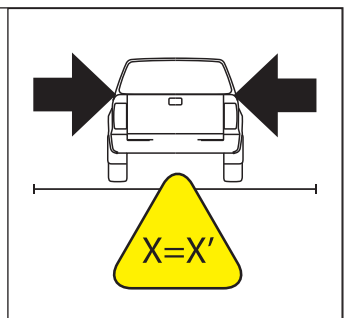
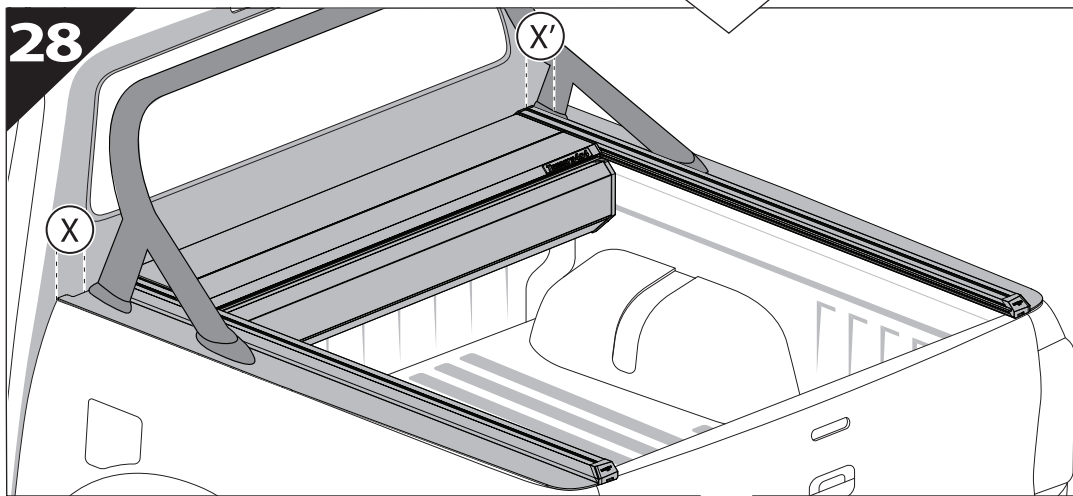


27

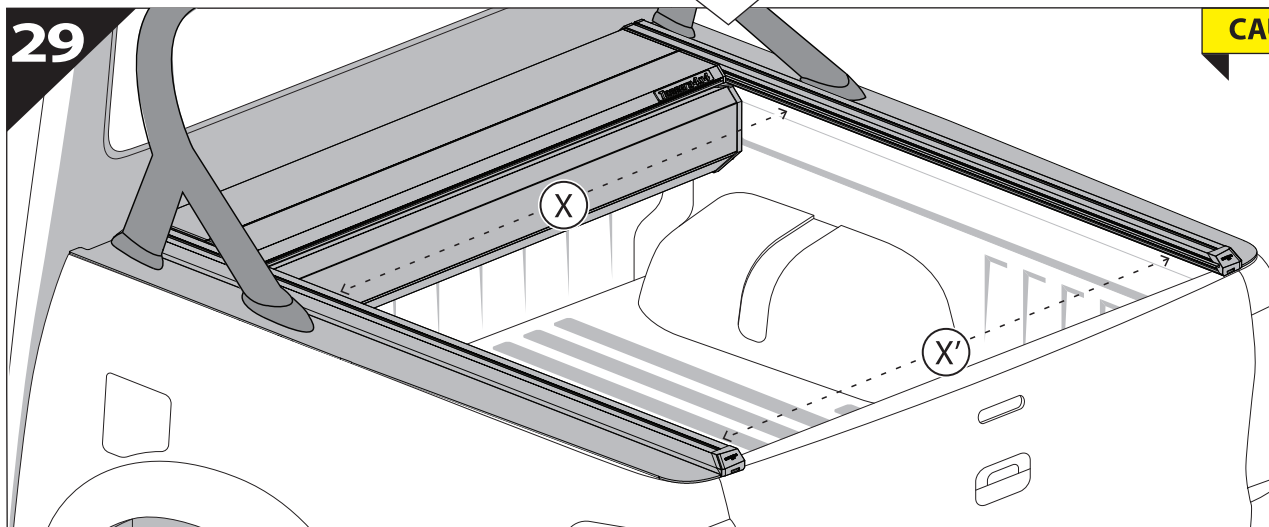
F



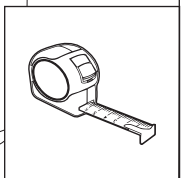
28



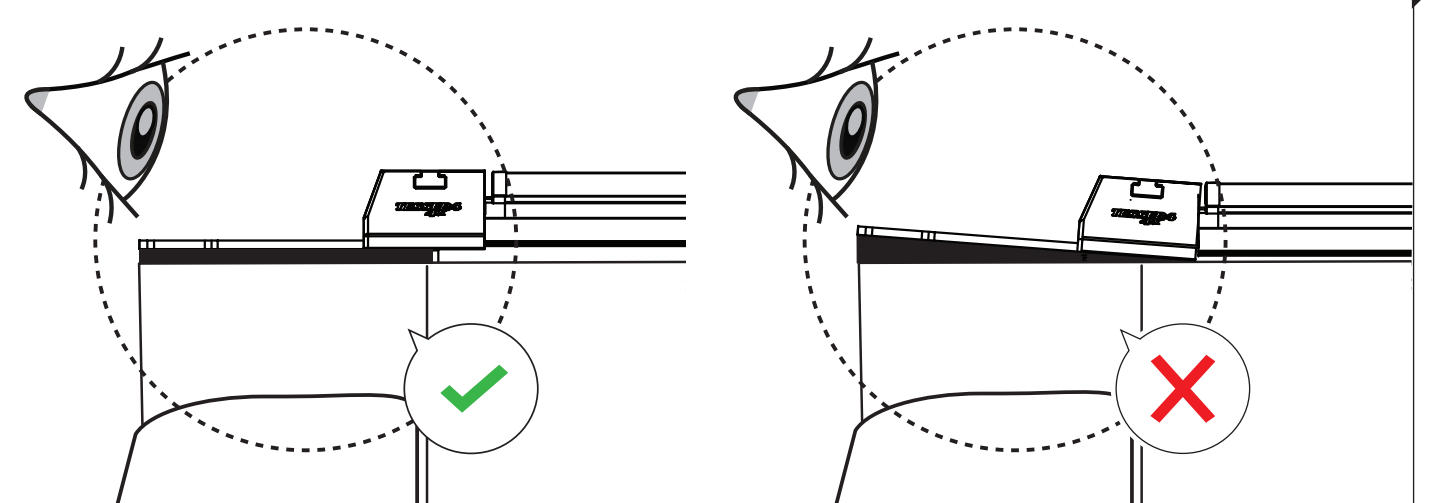
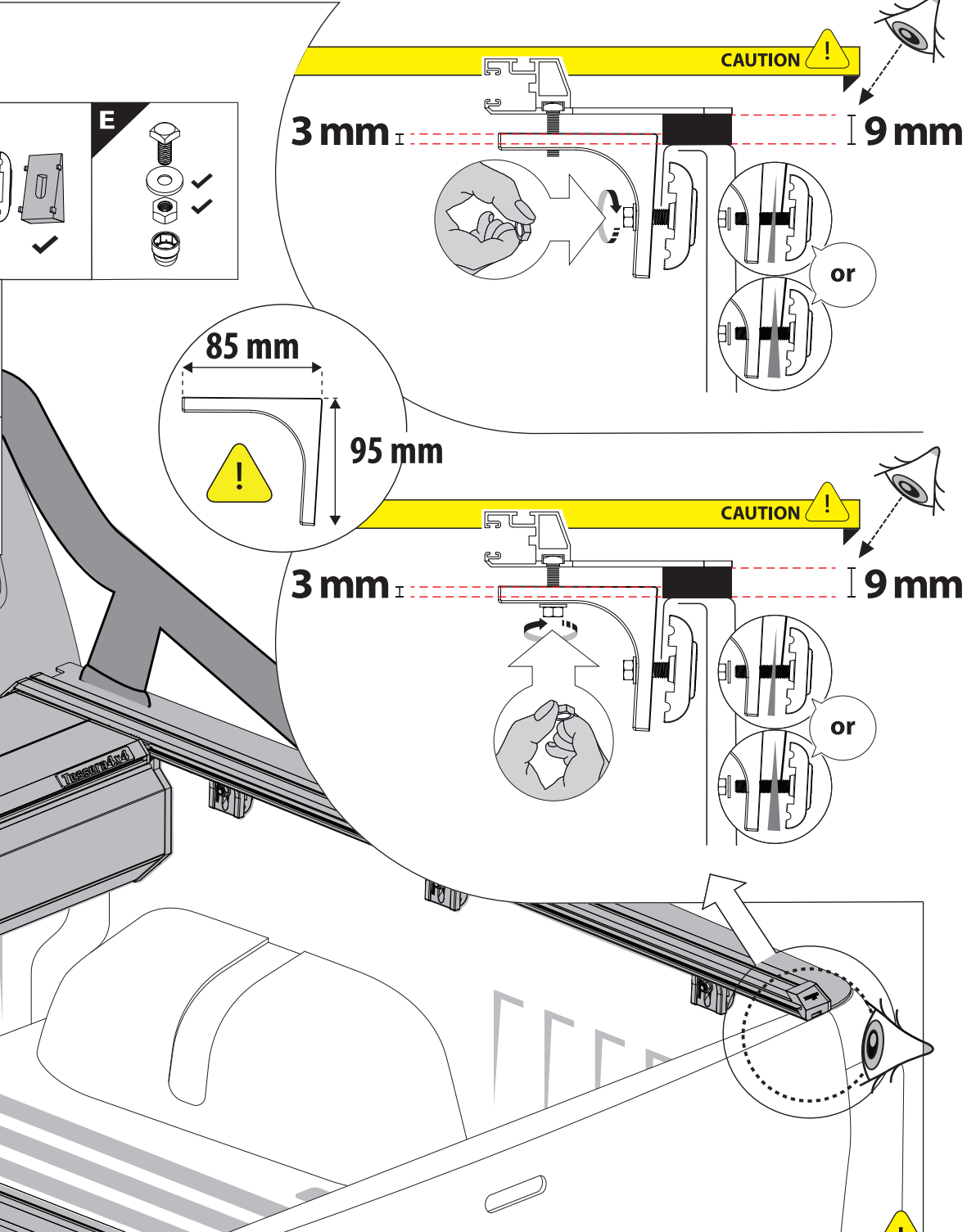
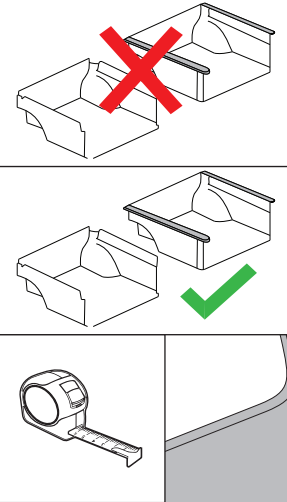
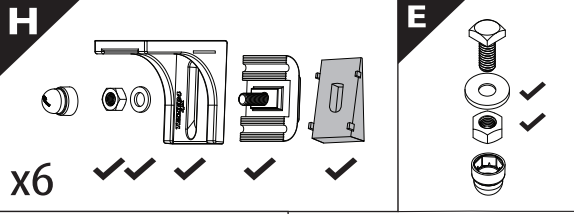
29

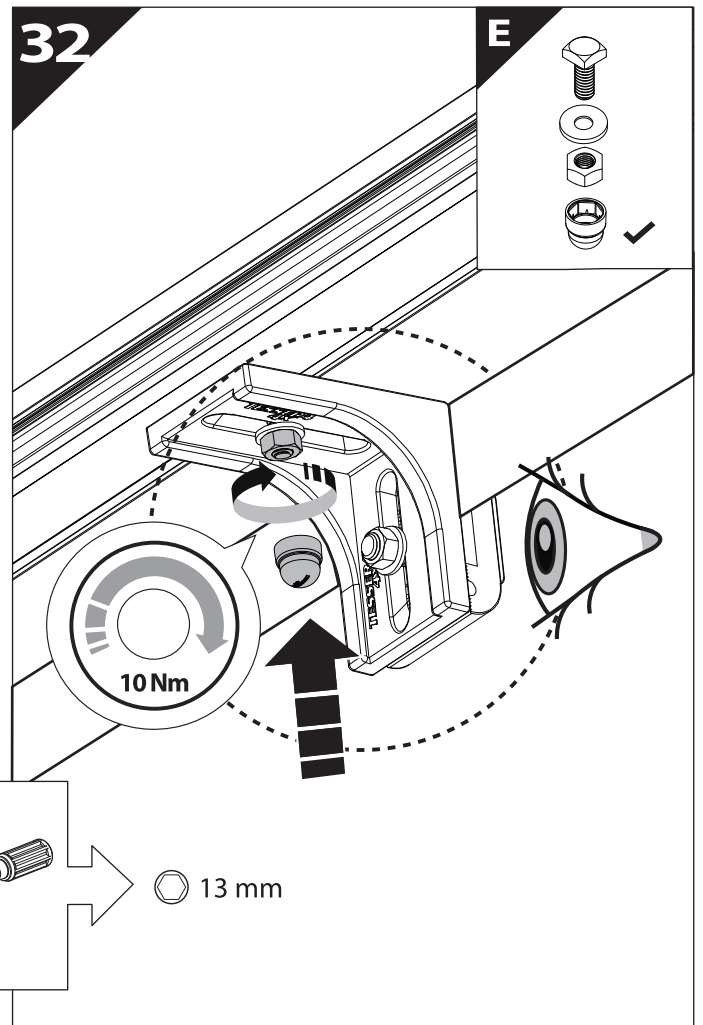
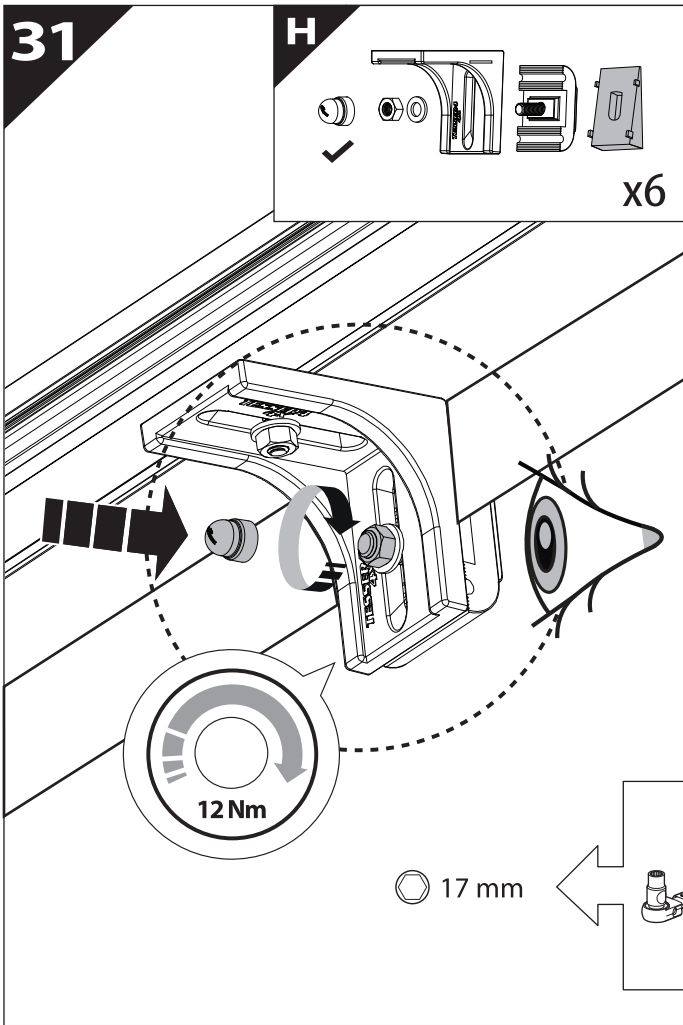


CAUTION !

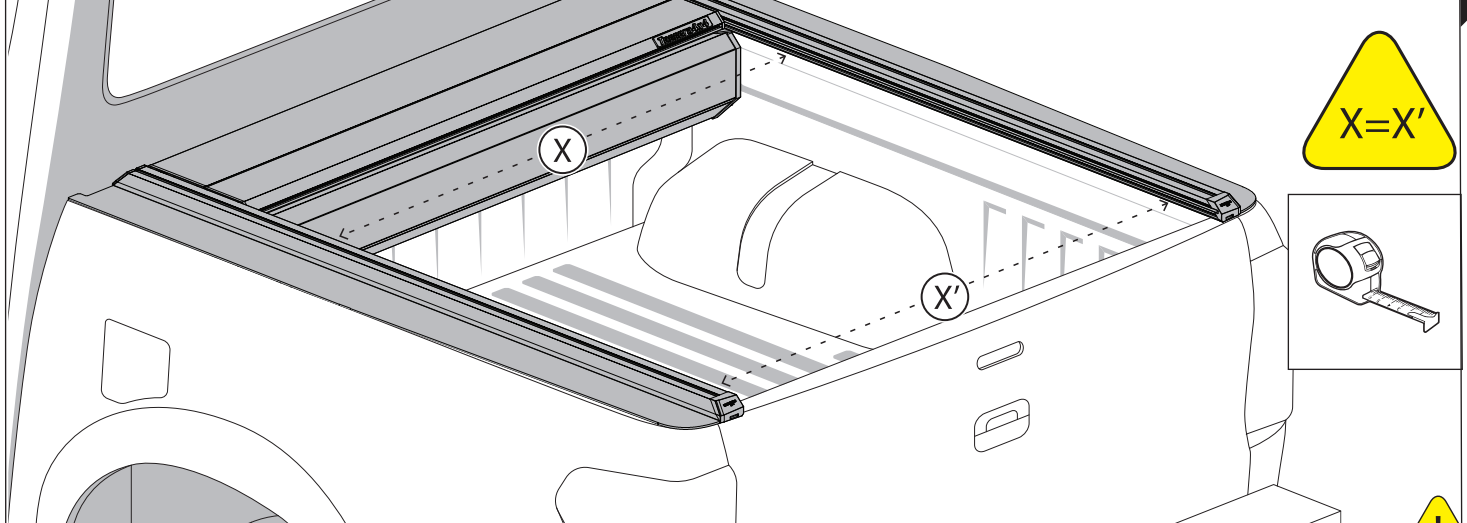


30

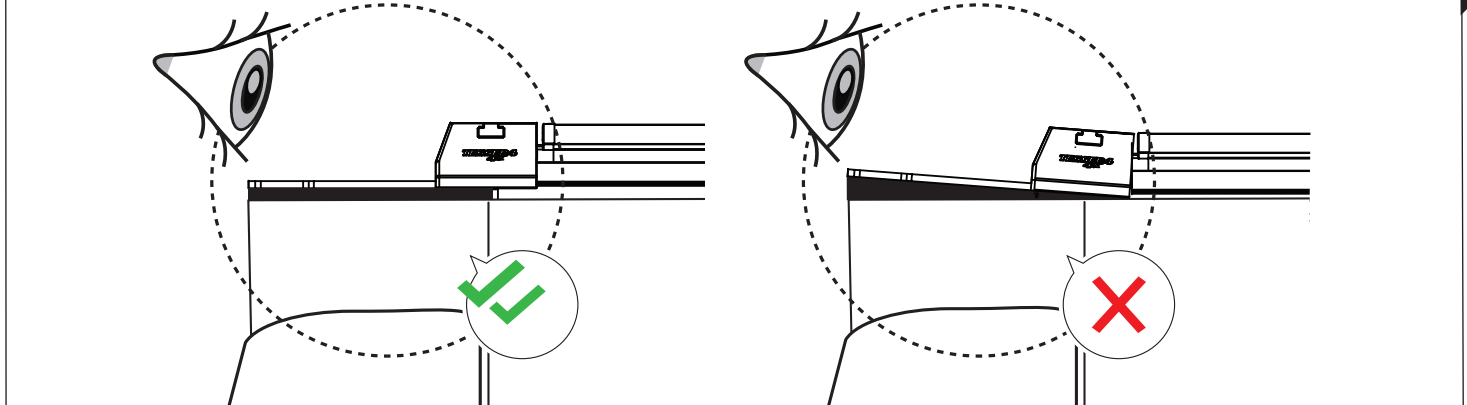




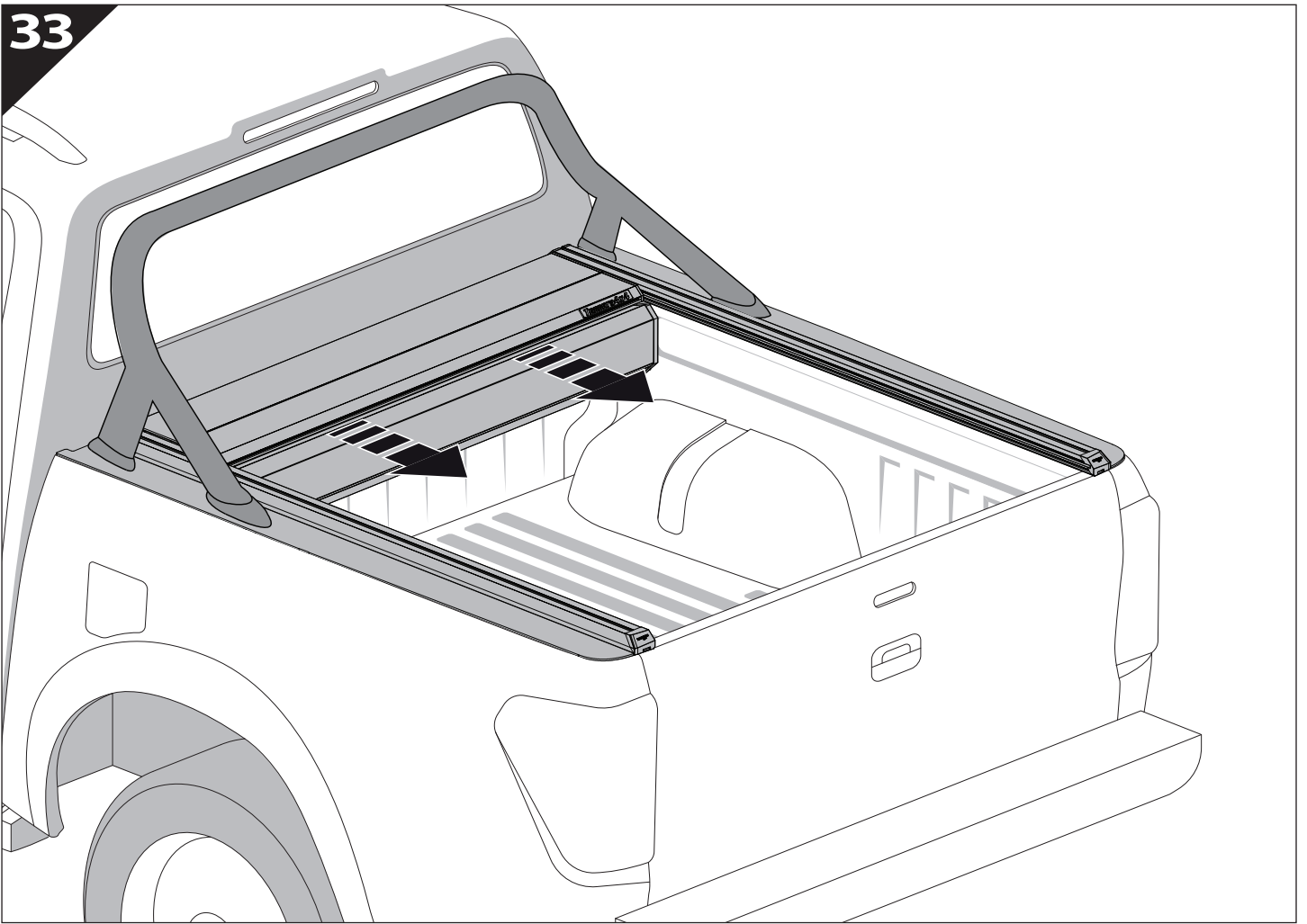
**CAUTION !**



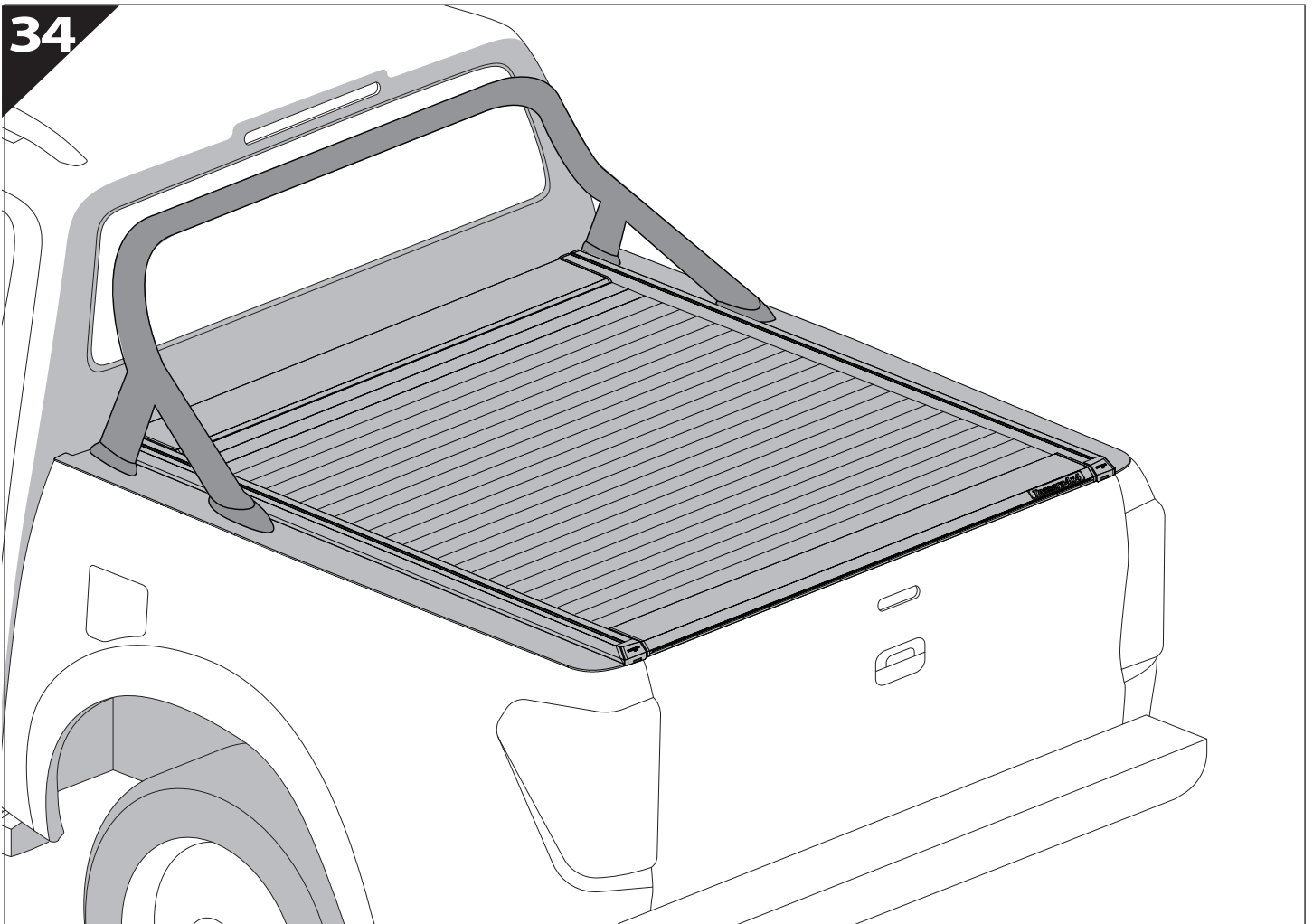
**CAUTION !**



33



34









**GR:** Οδηγίες Εγκατάστασης  
**GB:** Installation manual  
**SF:** Asennusohje  
**F:** Notice de montage  
**PL:** Instrukcja montażu  
**NL:** Installatie-instructies  
**TR:** Montaj Talimatı  
**S:** Monteringsanvisning  
**E:** Instrucciones de montaje

**H:** Szerelési utasítás  
**P:** Instruções de instalação  
**RUS:** Инструкция по установке  
**N:** Monteringsveiledning  
**D:** Einbauanleitung  
**CZ:** Návod k instalaci  
**I:** Istruzioni de montaggio  
**DK:** Monteringsvejledning  
**RO:** Instructiuni de instalare

Customer Service:

+30 (210) 5541161, +30 (210) 5541154 (08:00 - 16:00 EET)

Support department:

[info@gianso.gr](mailto:info@gianso.gr)

Website:

[www.tessera4x4.com](http://www.tessera4x4.com)

Address:

19.5 km of National road Athens-Korinthos (Elefsina) Greece, P.C: 19200