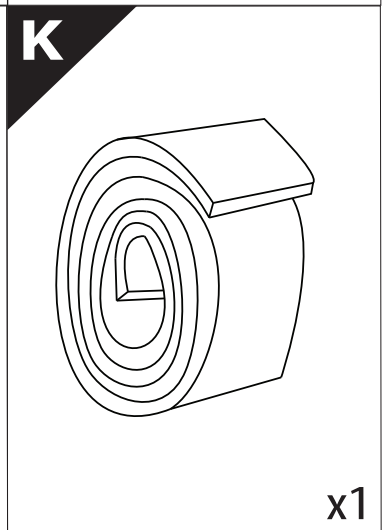
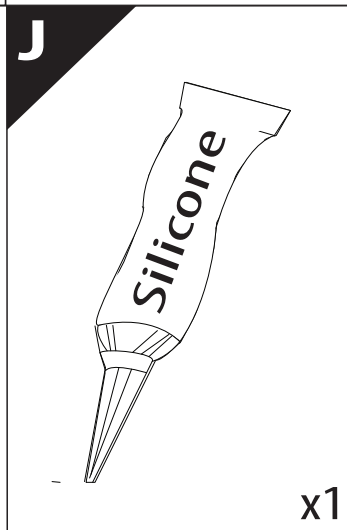
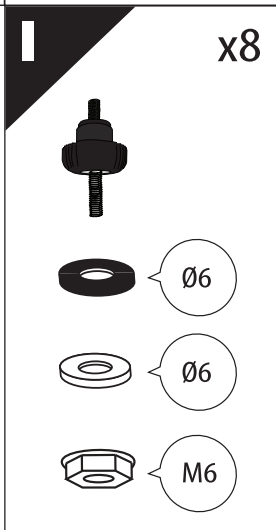
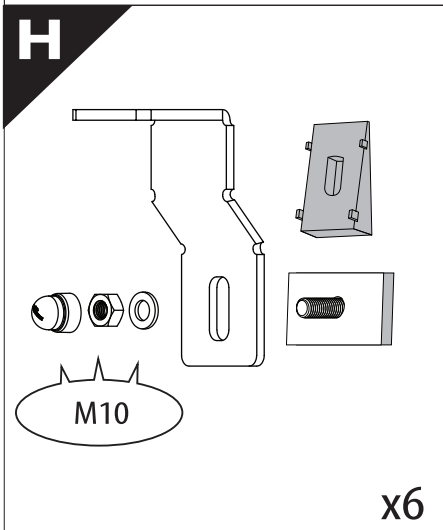
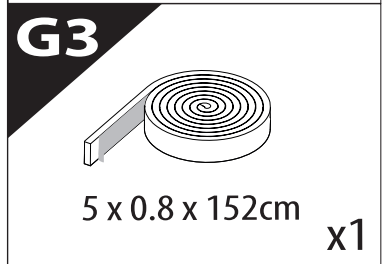
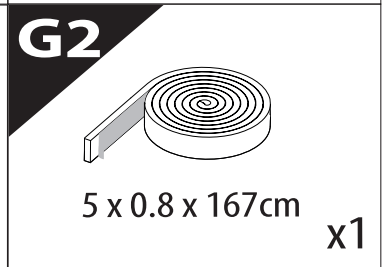
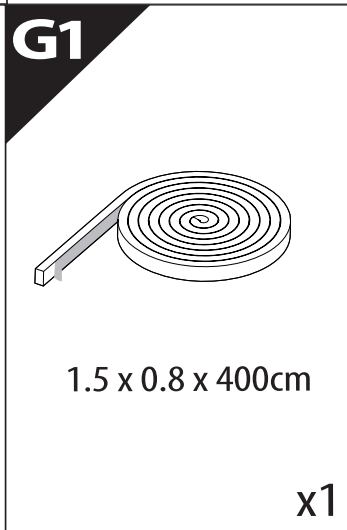
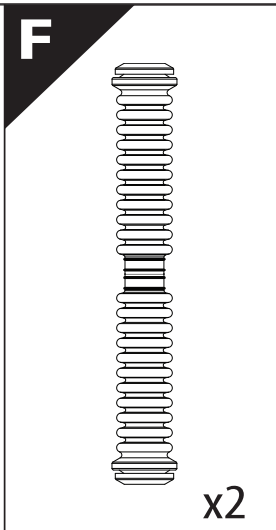
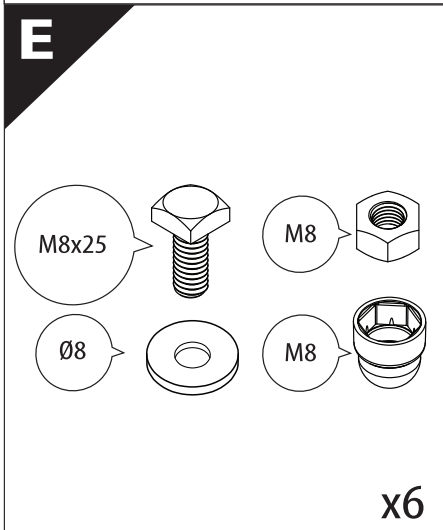
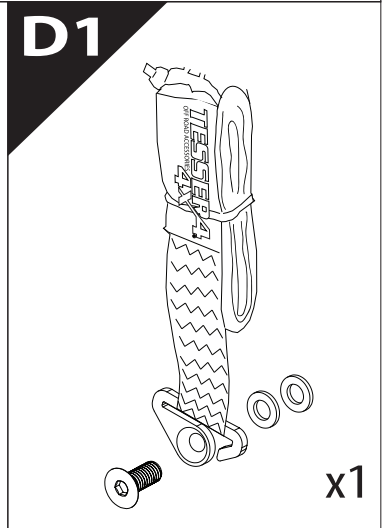
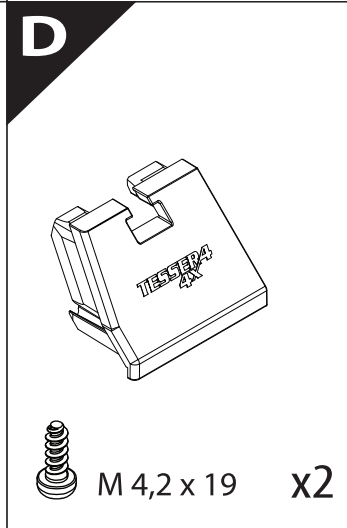
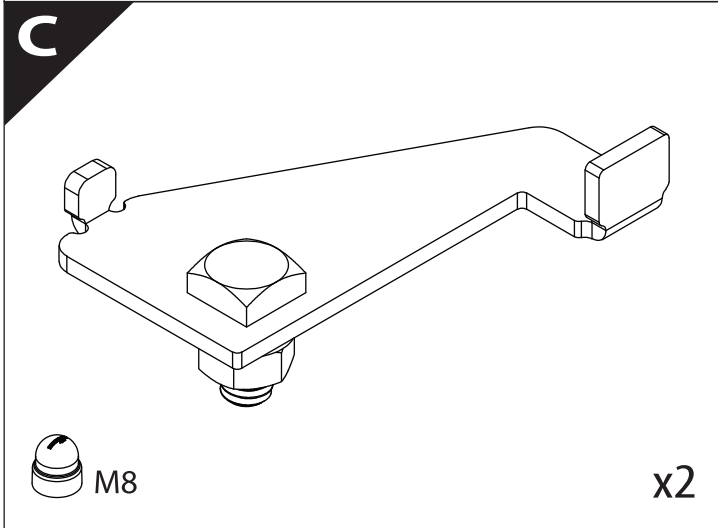
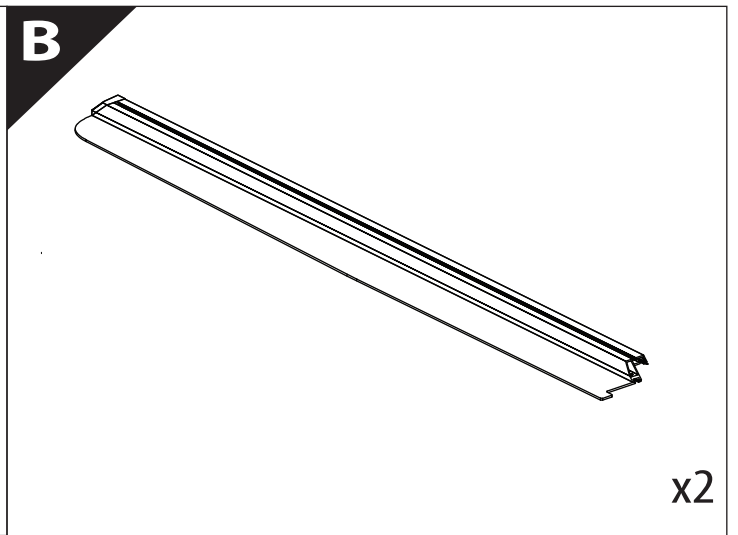
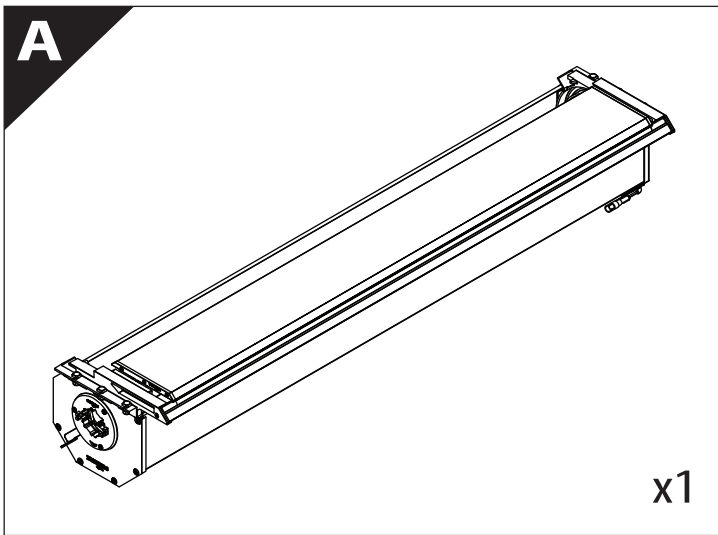
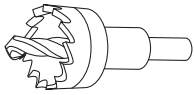


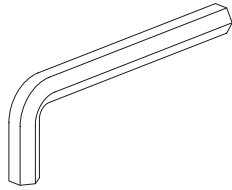
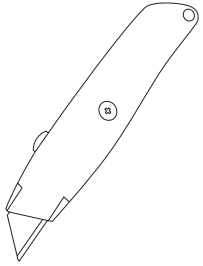
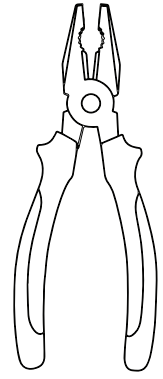
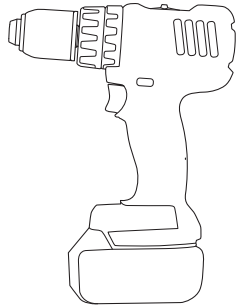
Installation Manual

| PART NUMBER(S) | Model Year |
|-----------------------|--|
| TESS 15191 SE | Mercedes X-Class 2018+ OEM ROLL BAR (with c-channels) |
| Cab(s) | Installation Time / Weight |
| Double Cab | 40-60 minutes / 53-57 kg |



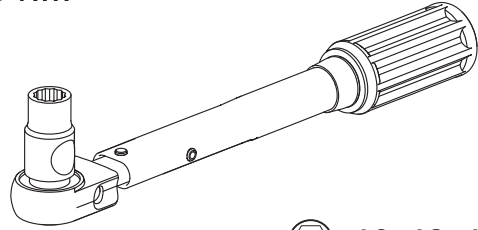


Ø 25 mm / Ø 40 mm

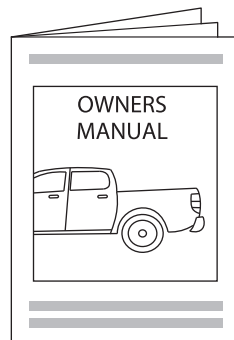
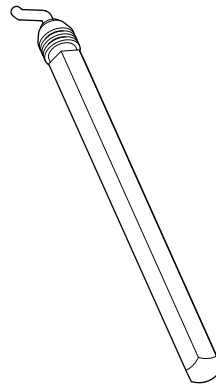
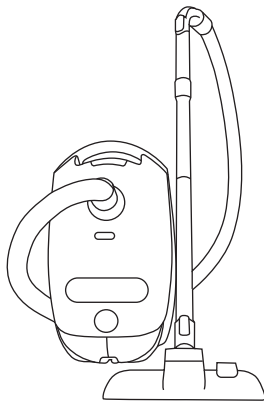
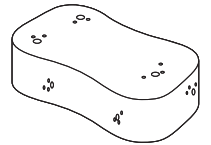
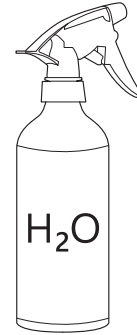
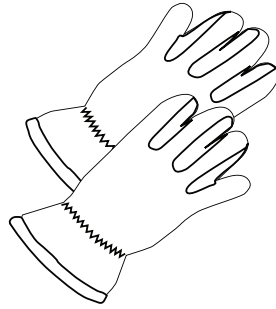
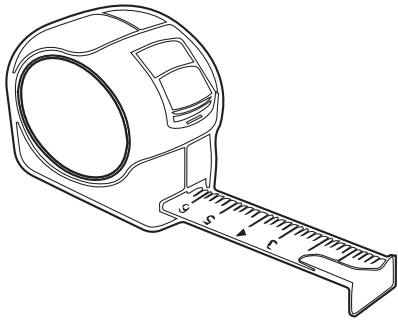


4 mm

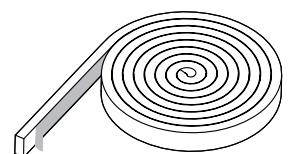
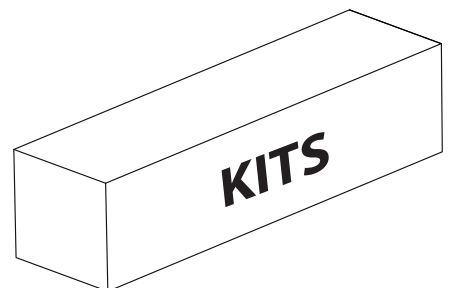
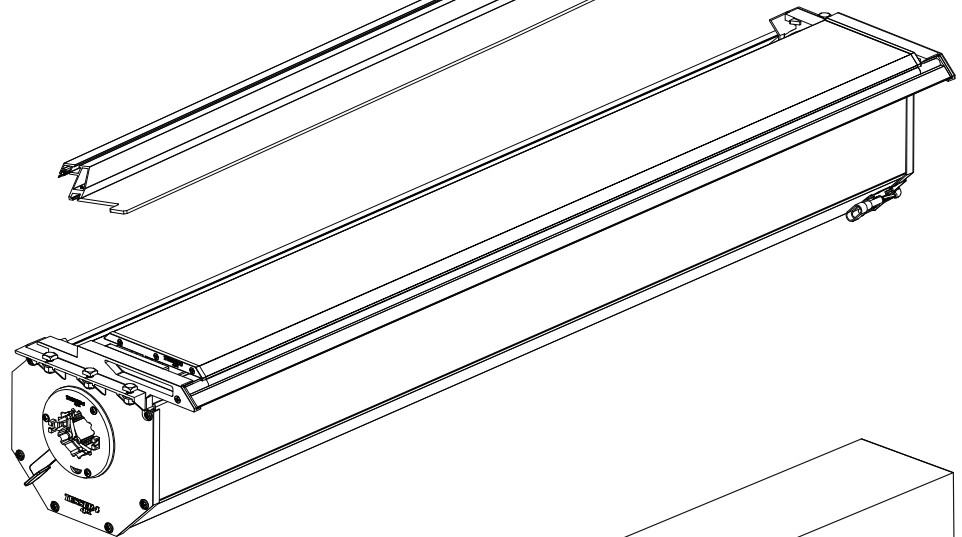
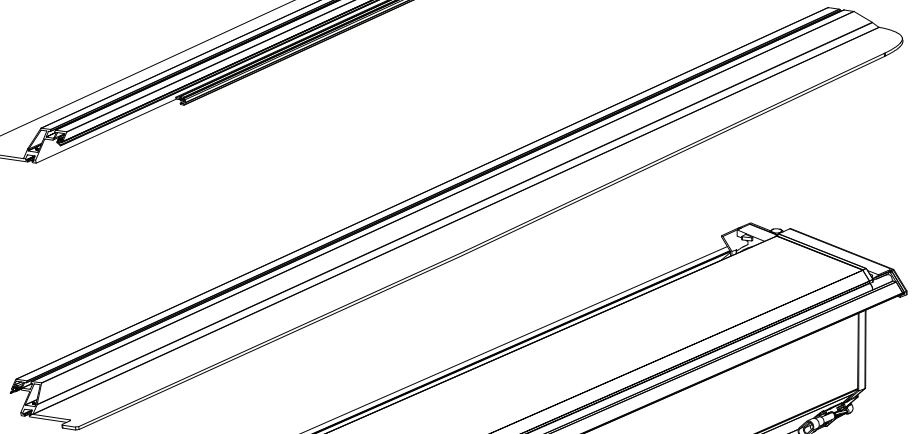
1 - 25 Nm



10, 12, 13, 17 mm



x1

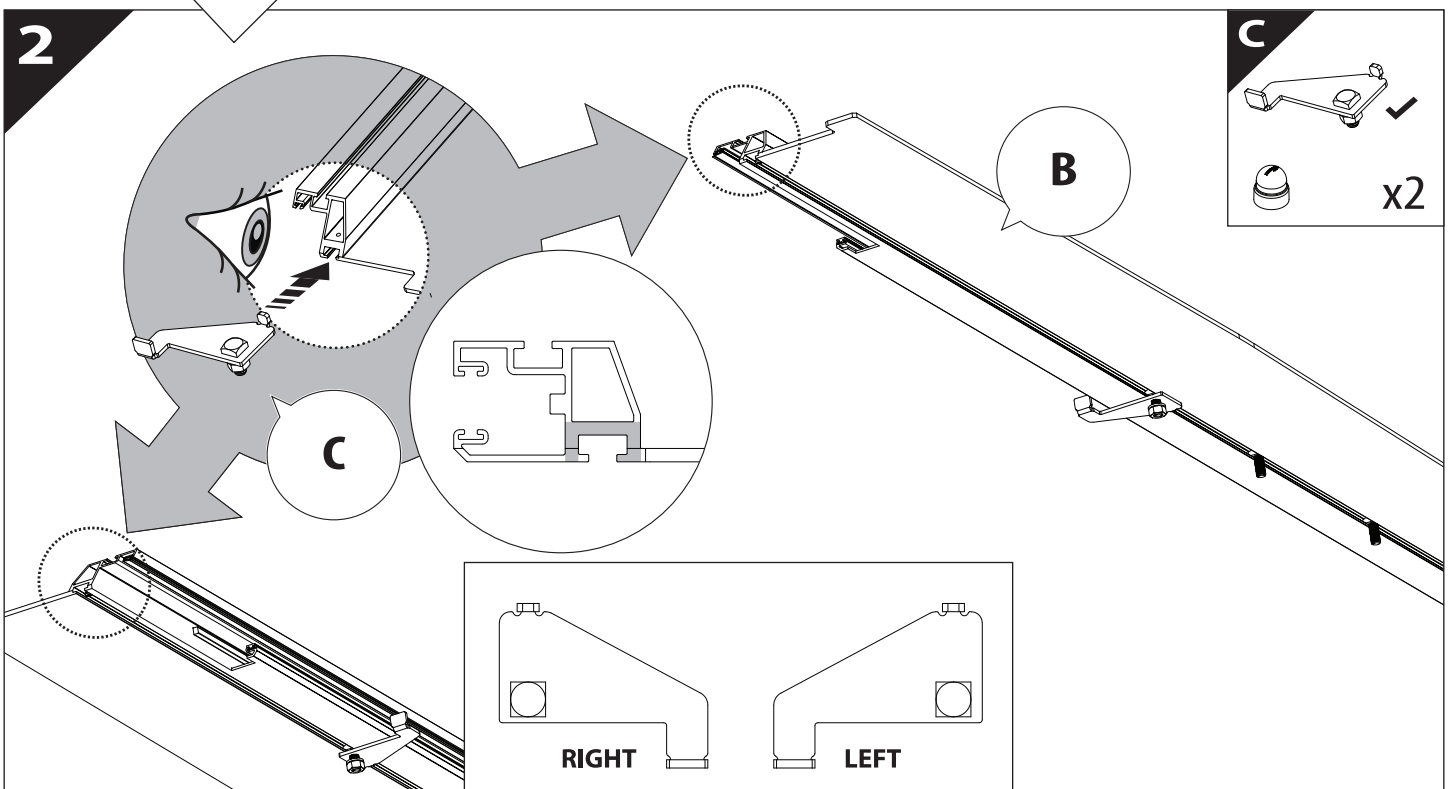
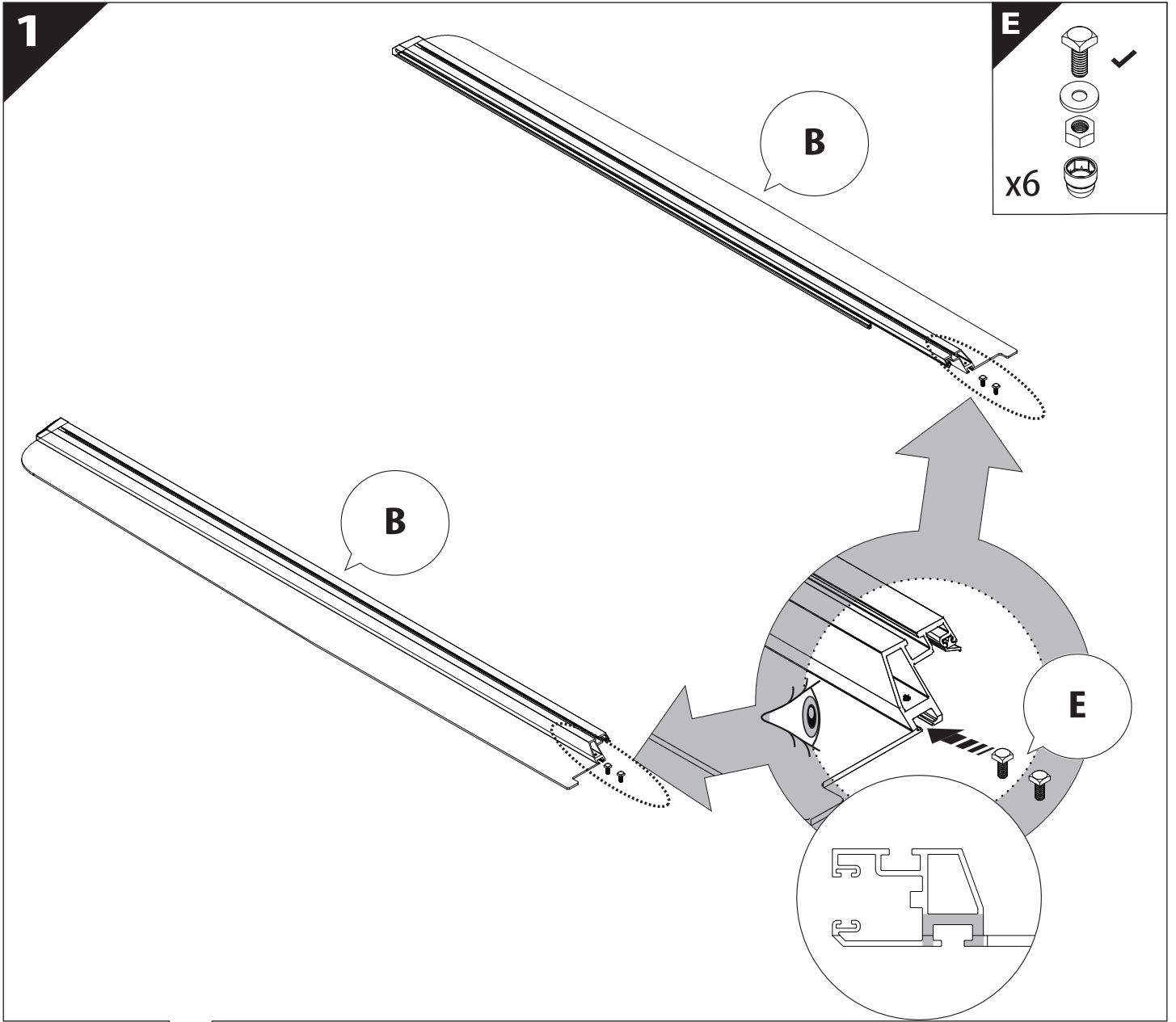


B

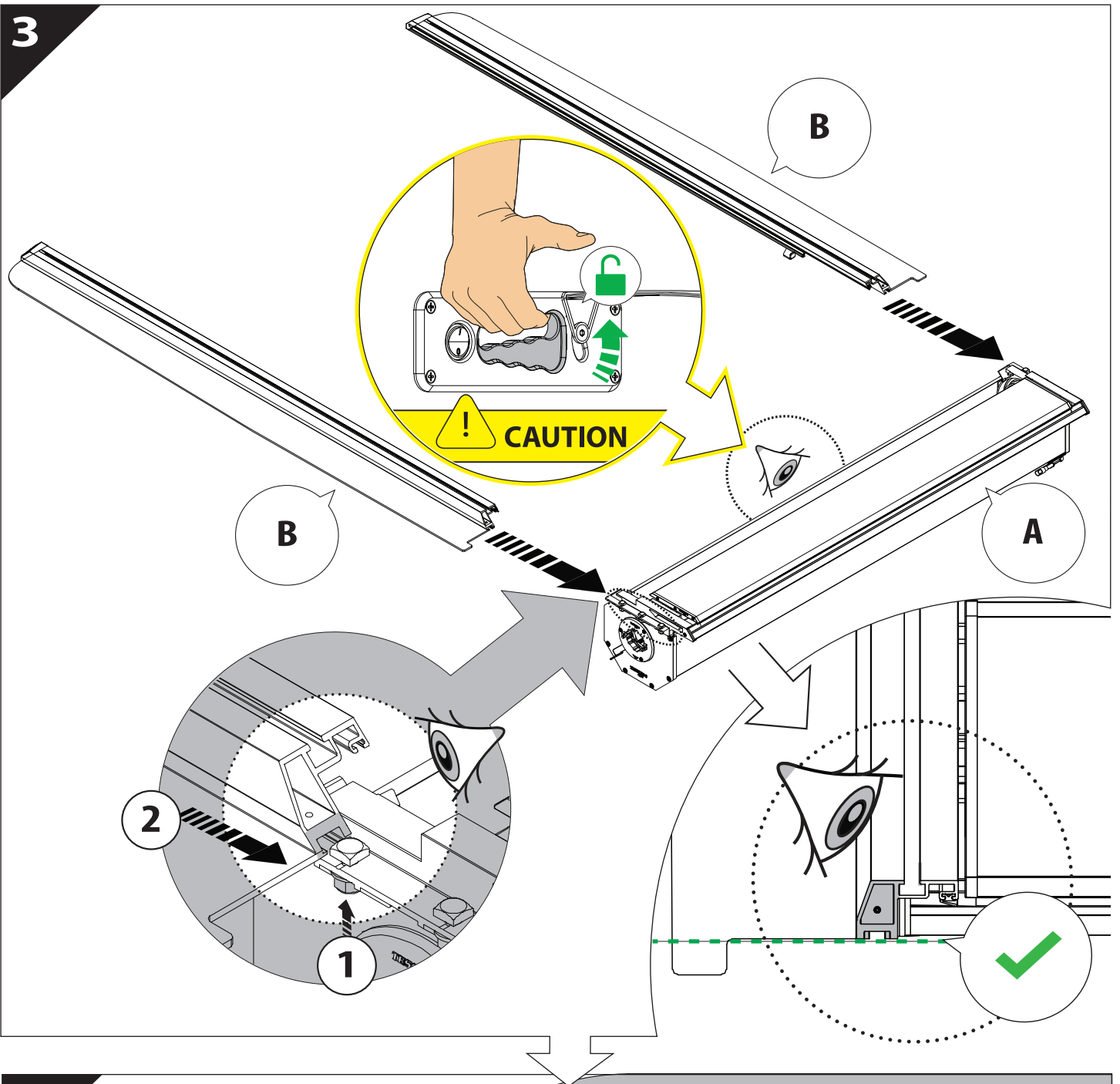
A

KITS

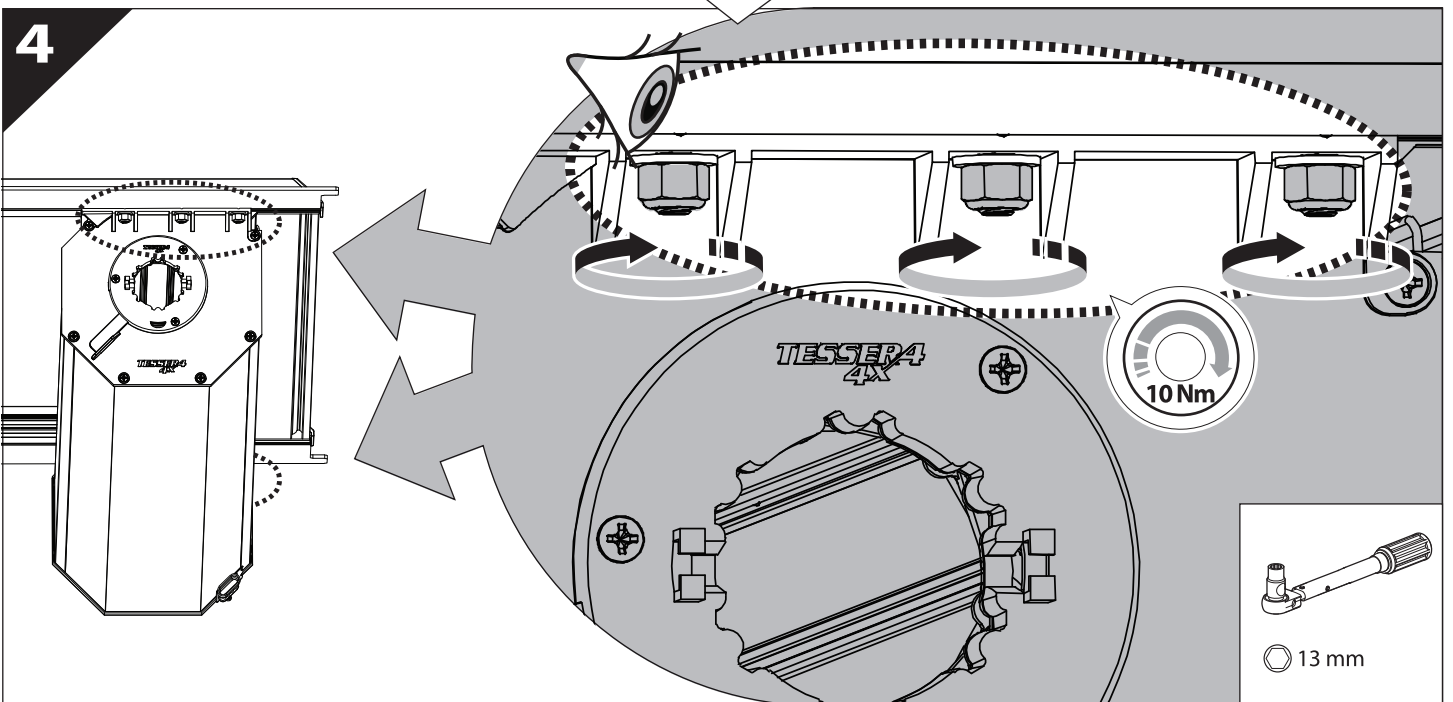
L

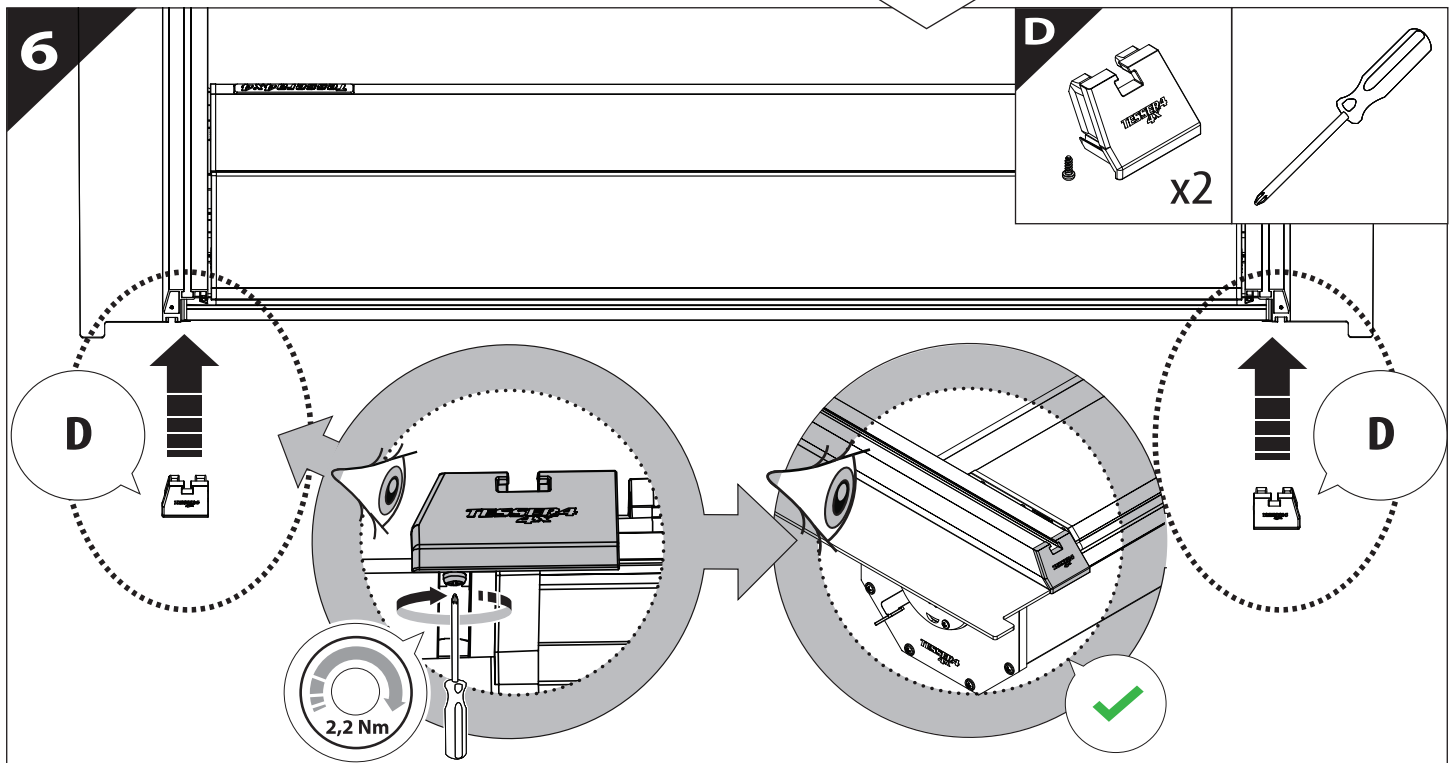
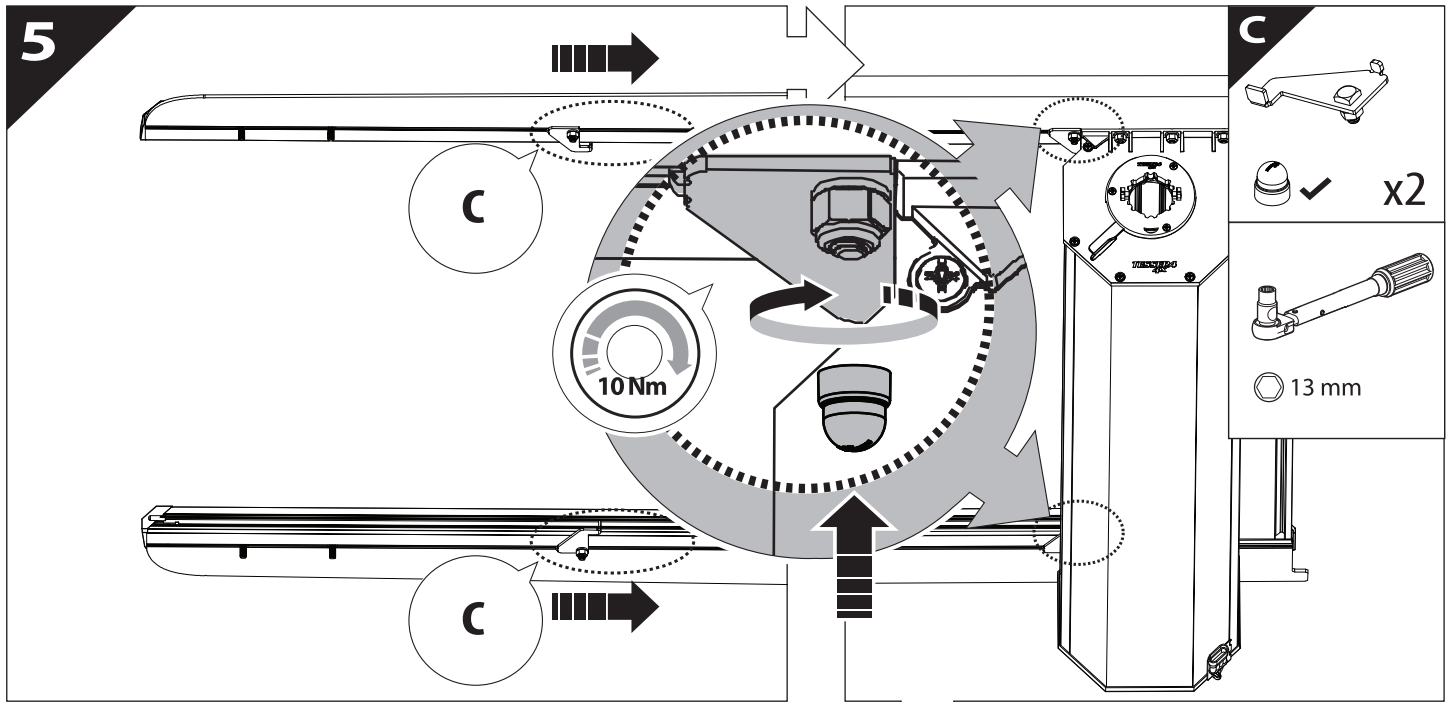


3

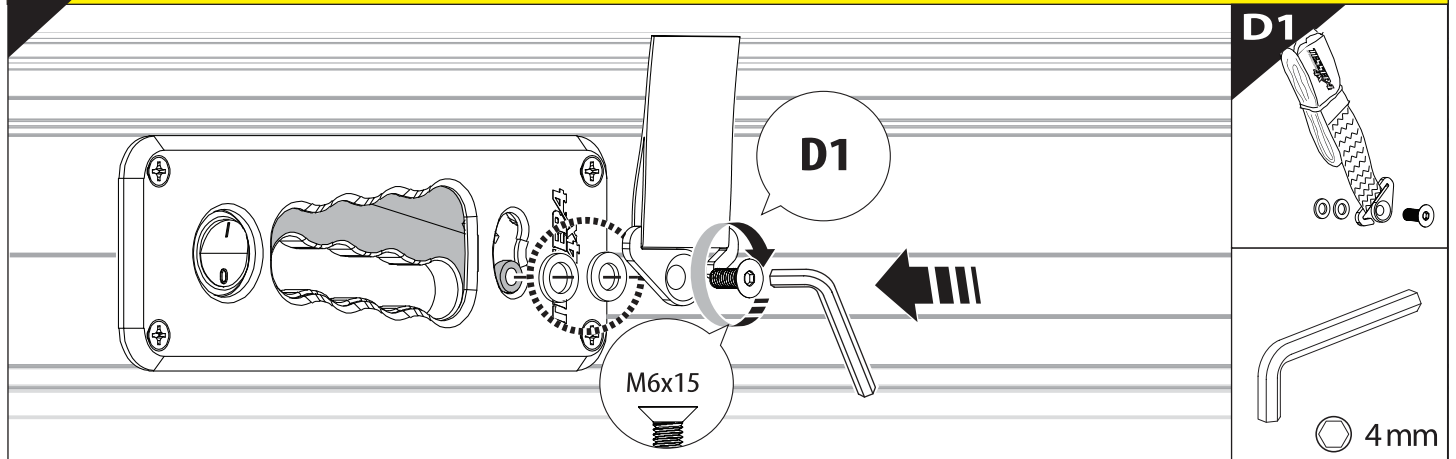


4



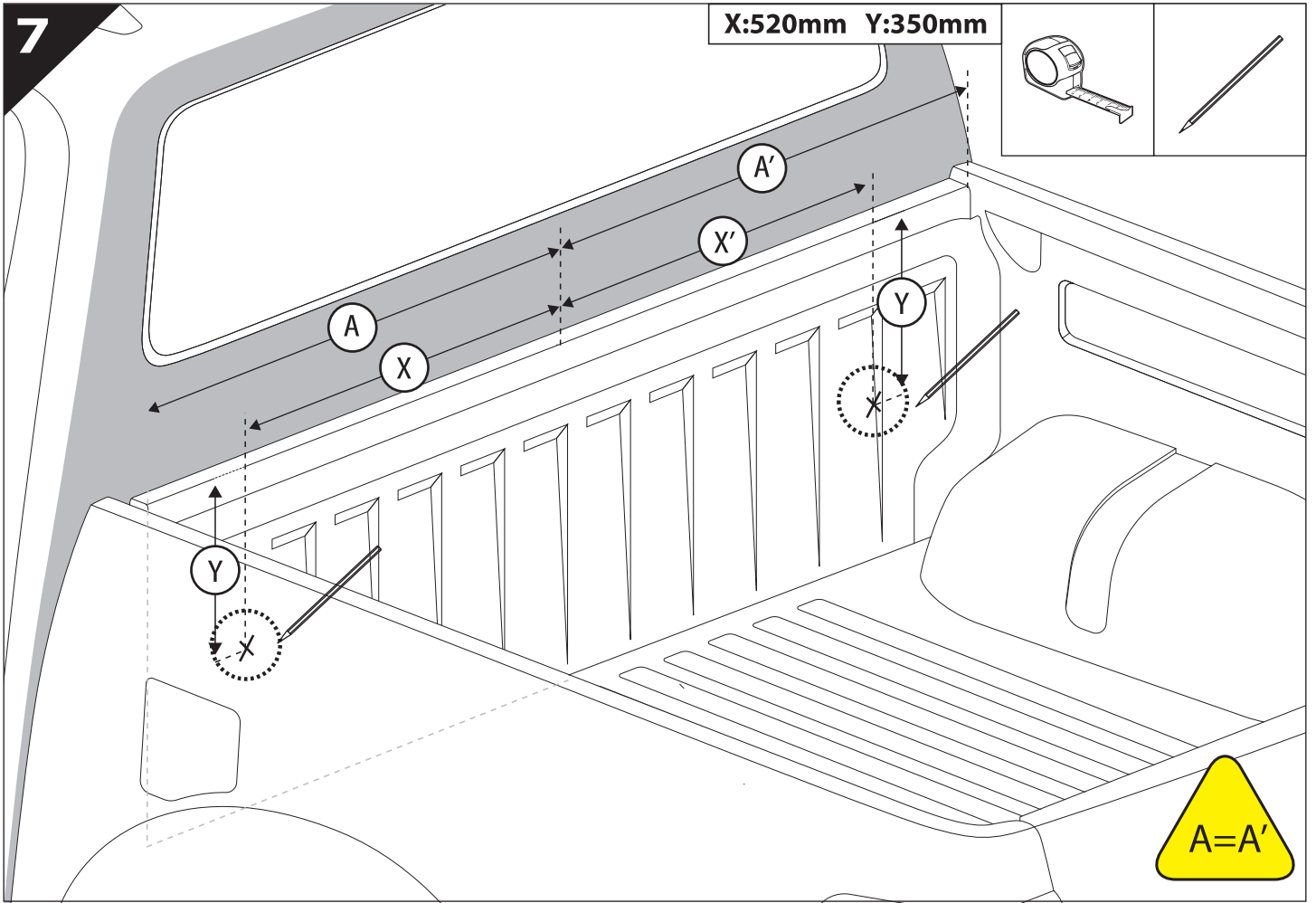
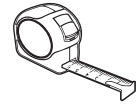


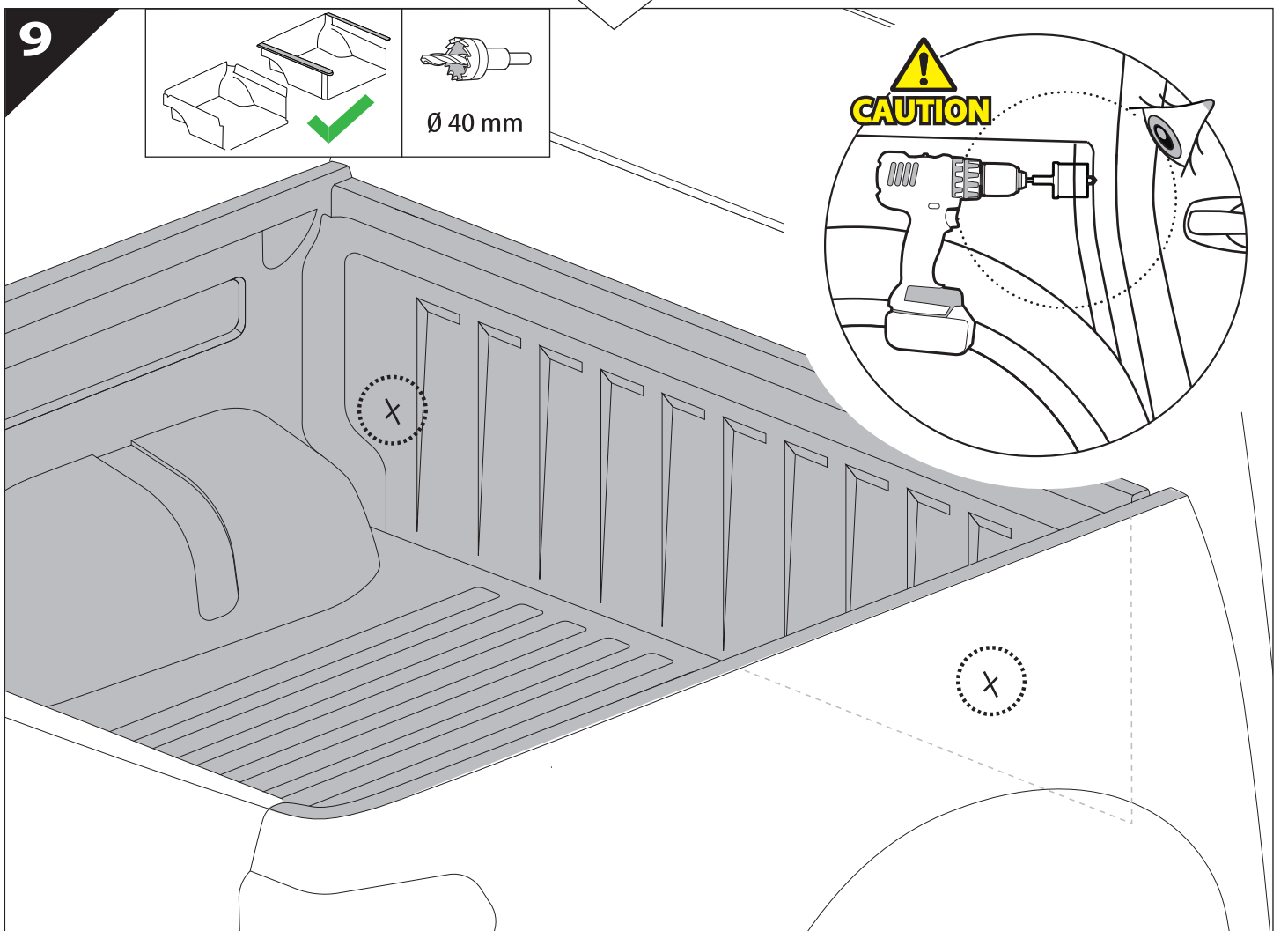
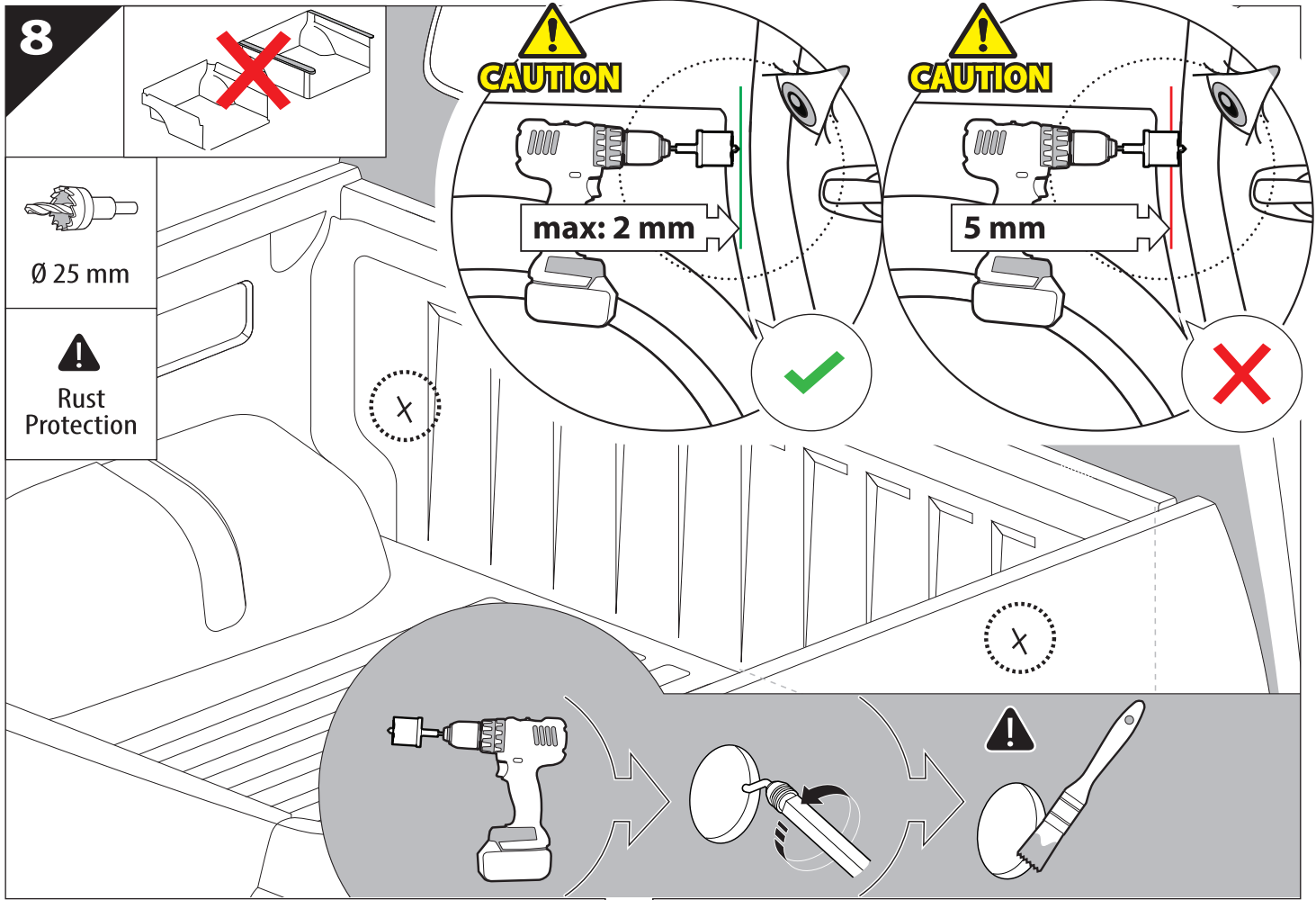
6.1 **CAUTION** Basic Version ✓ & Basic+S-KIT Version ✓



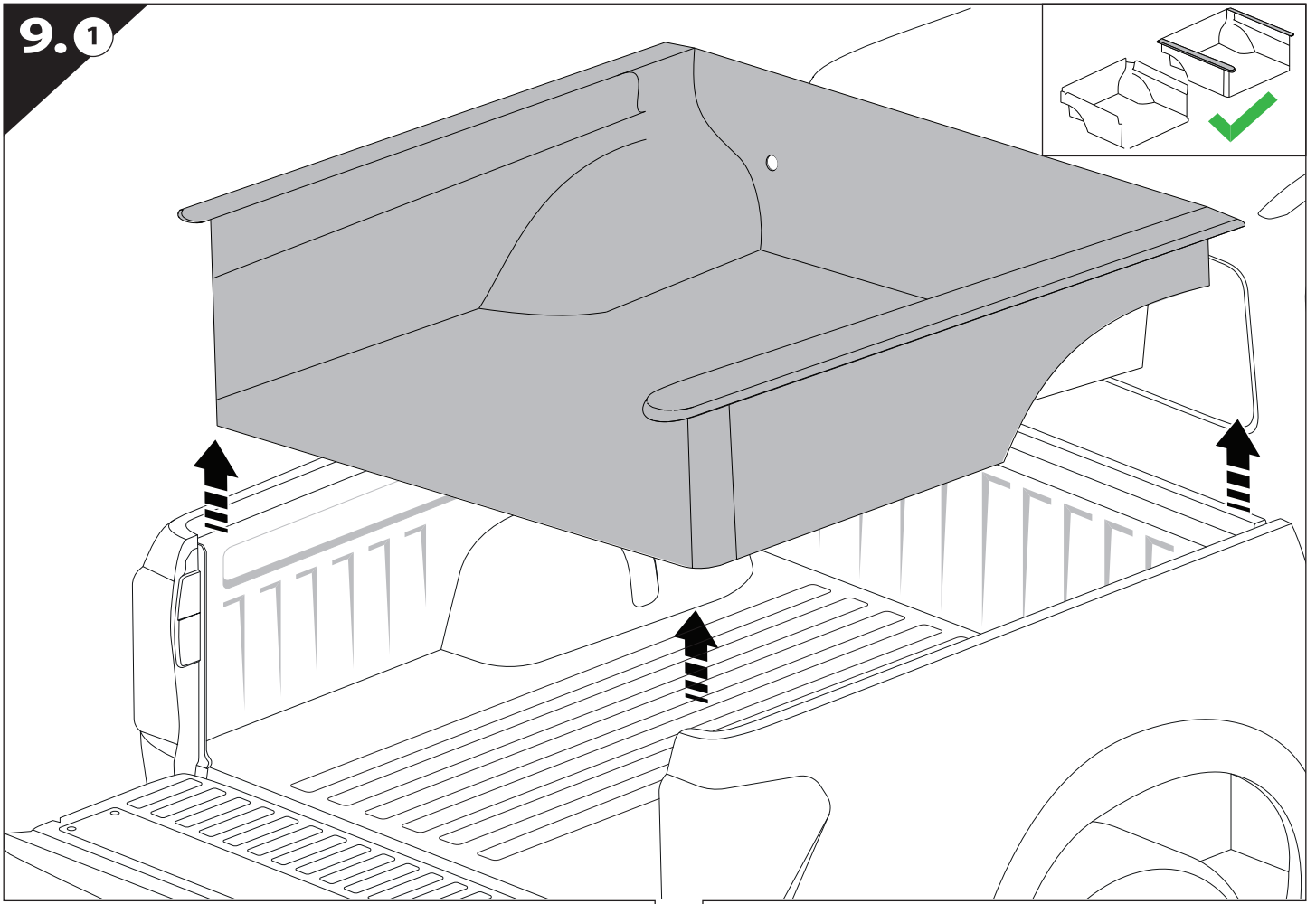
7

X:520mm Y:350mm

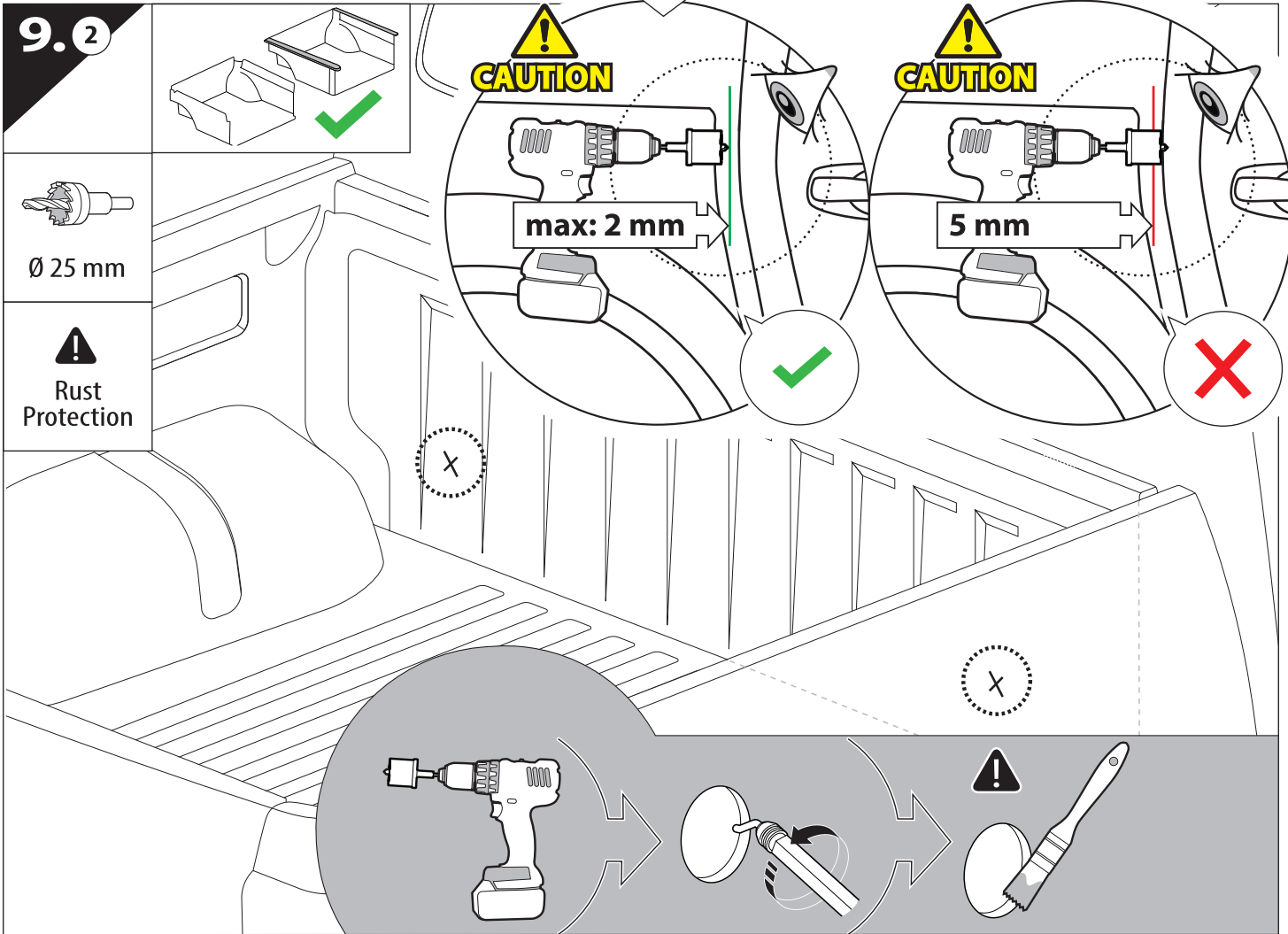




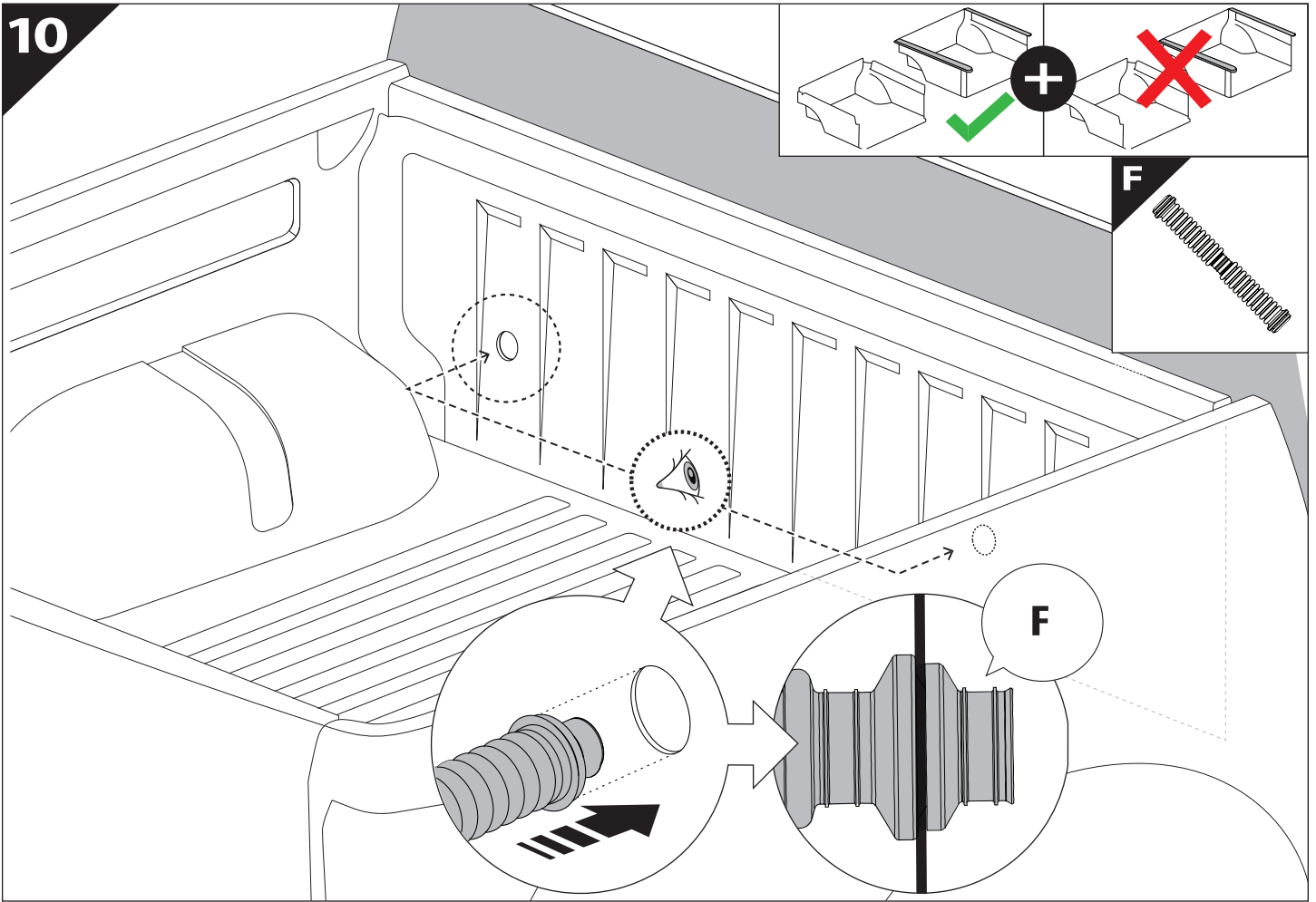
9.1



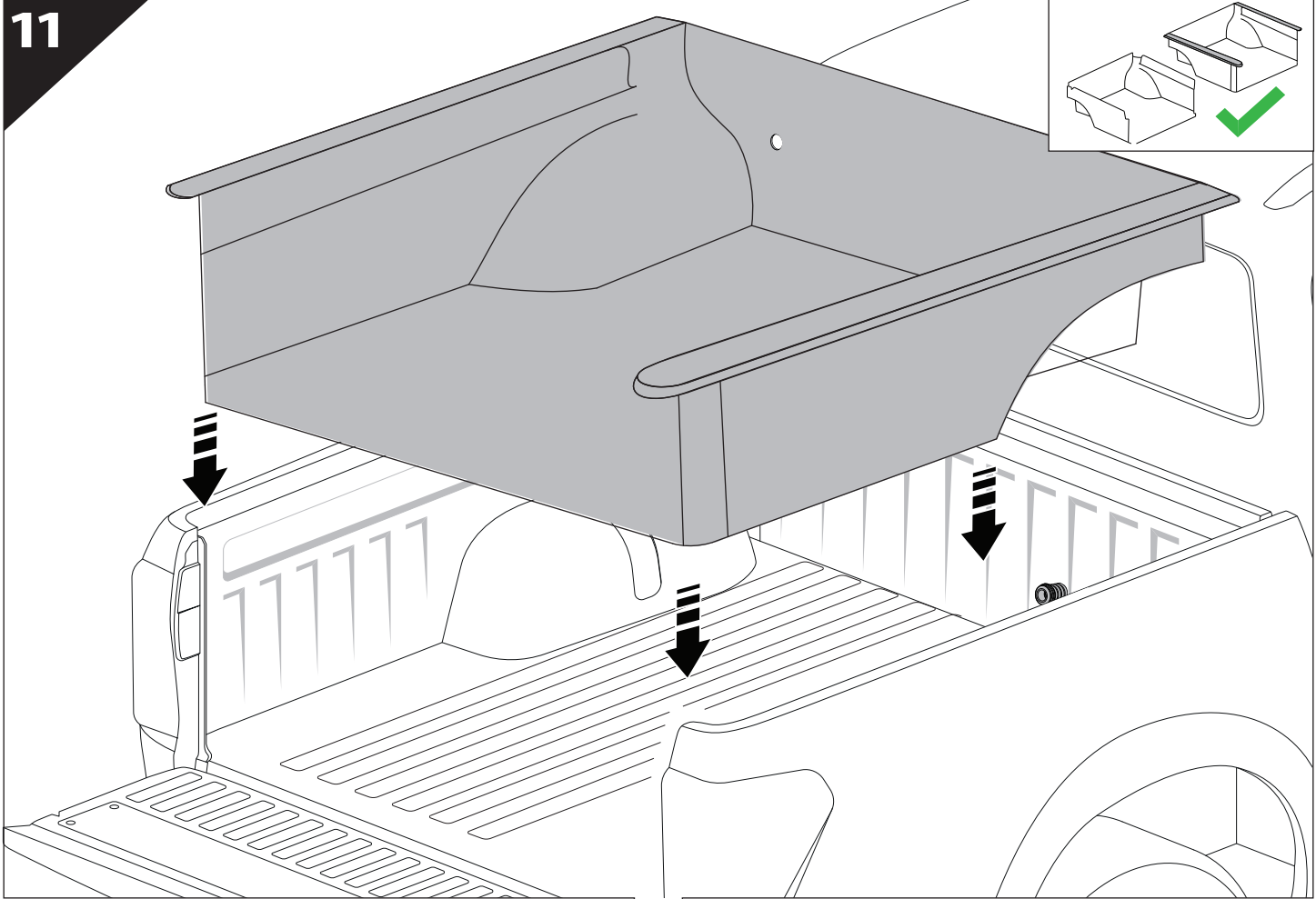
9.2



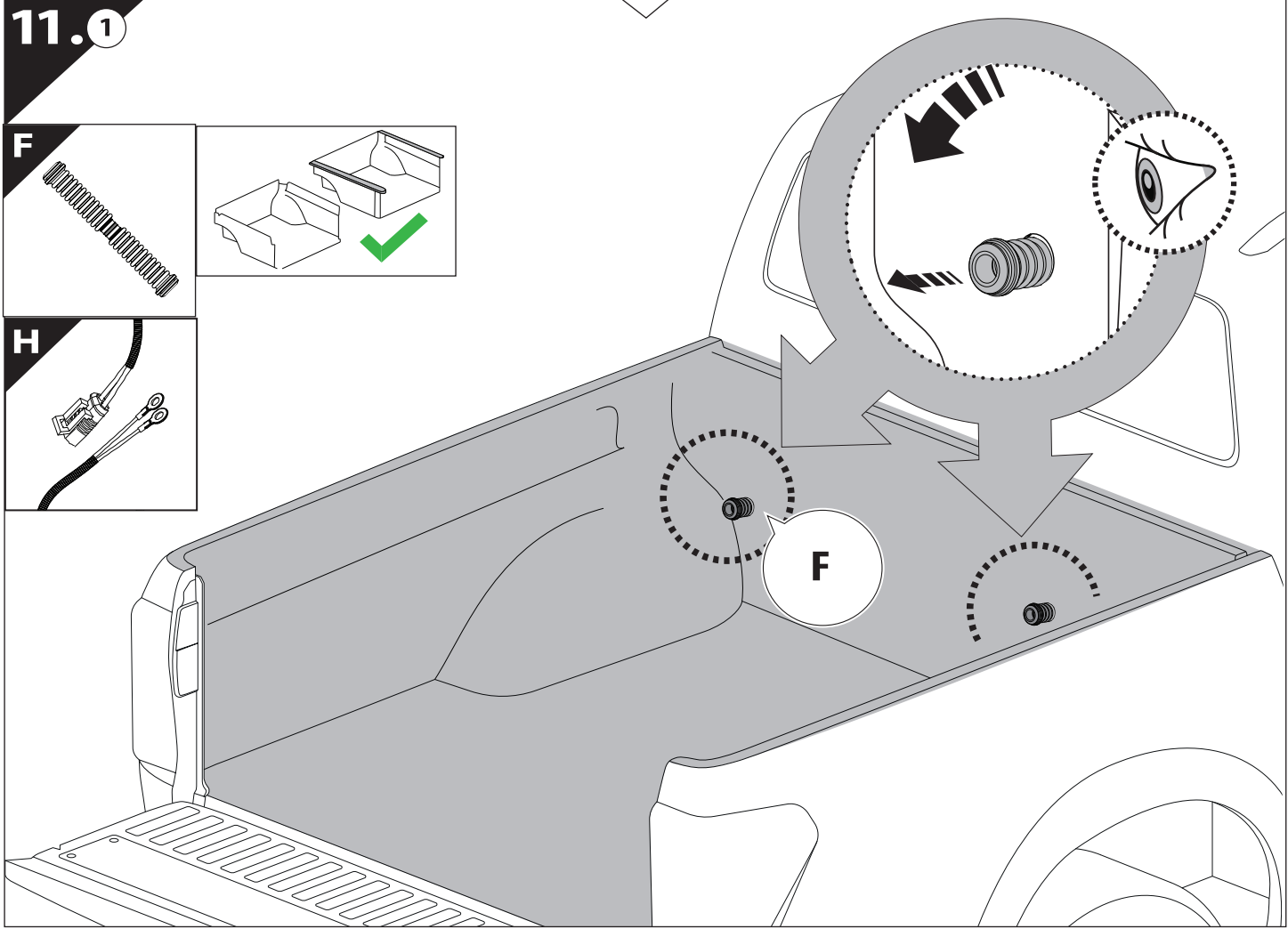
10

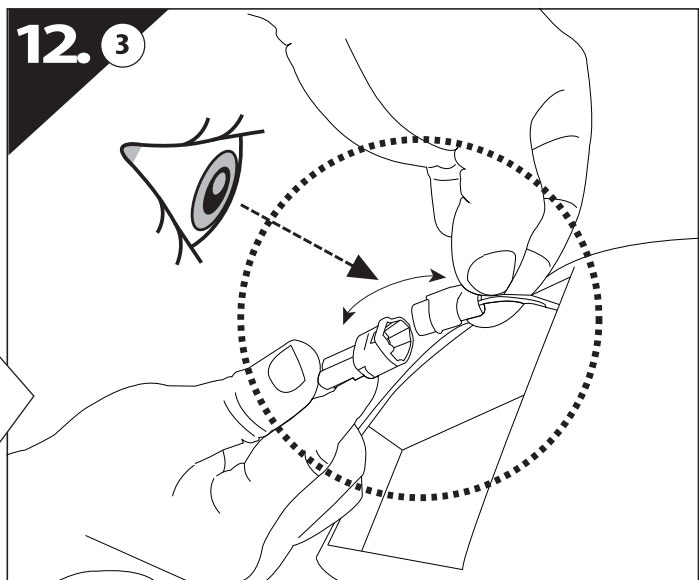
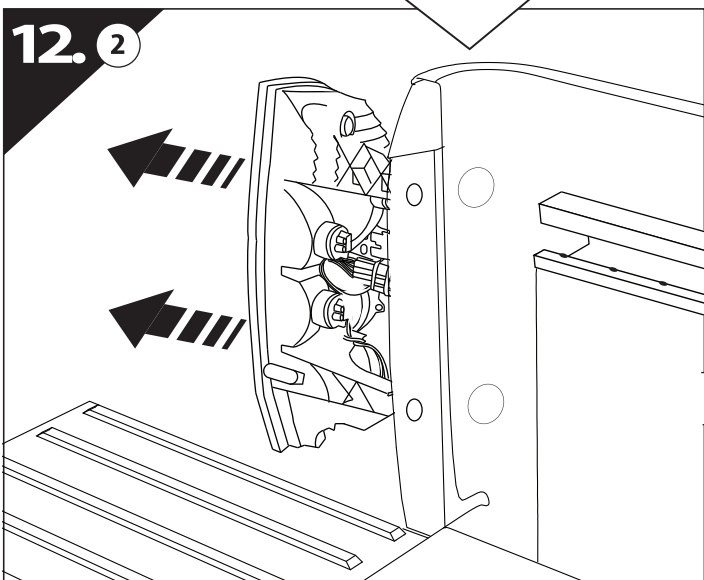
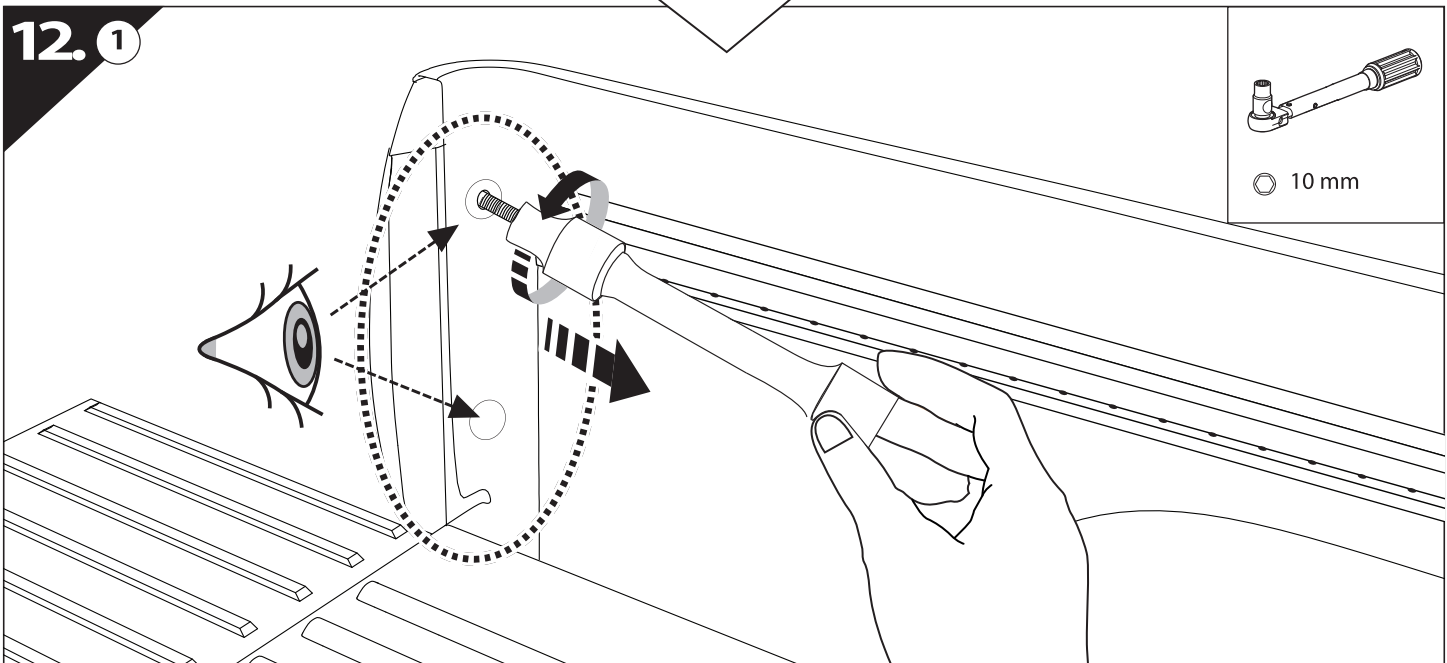
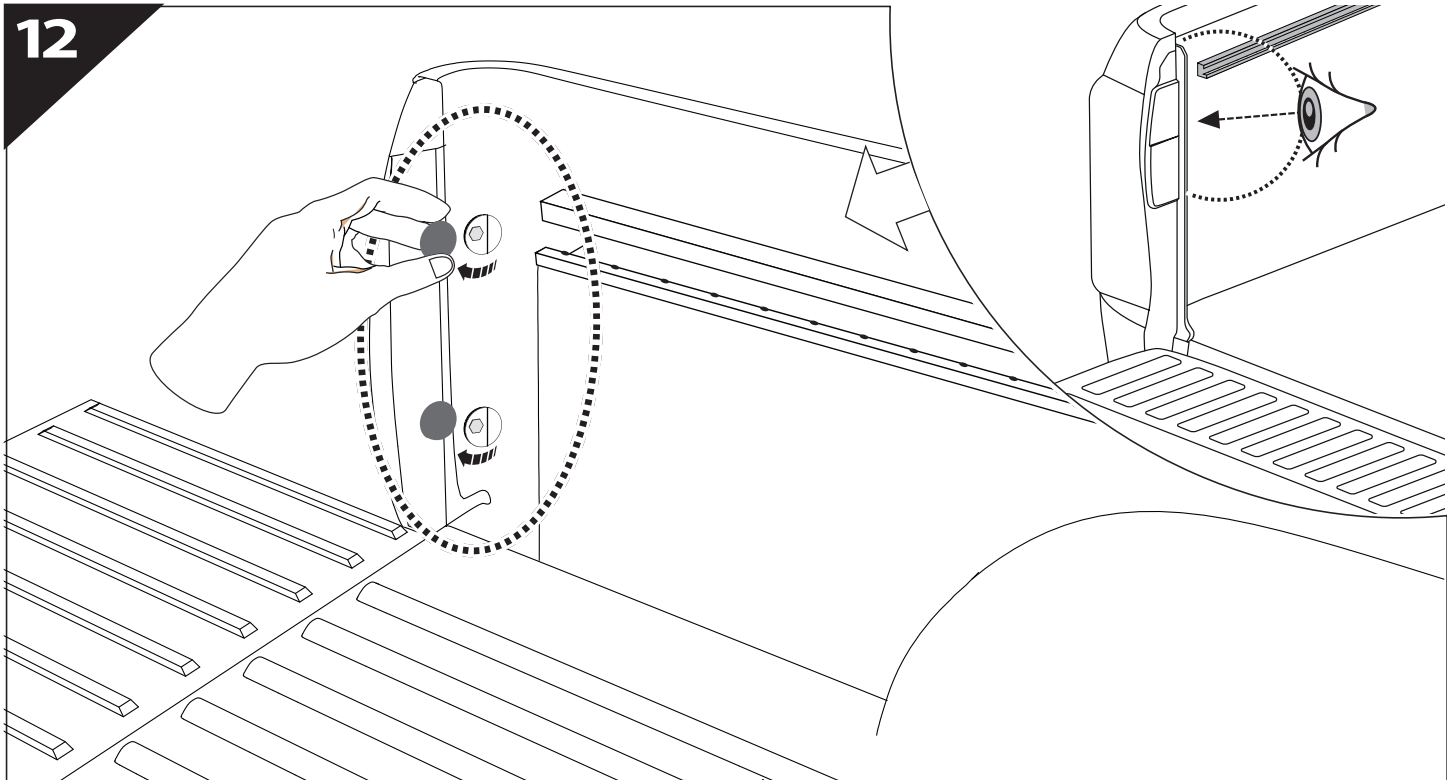


11

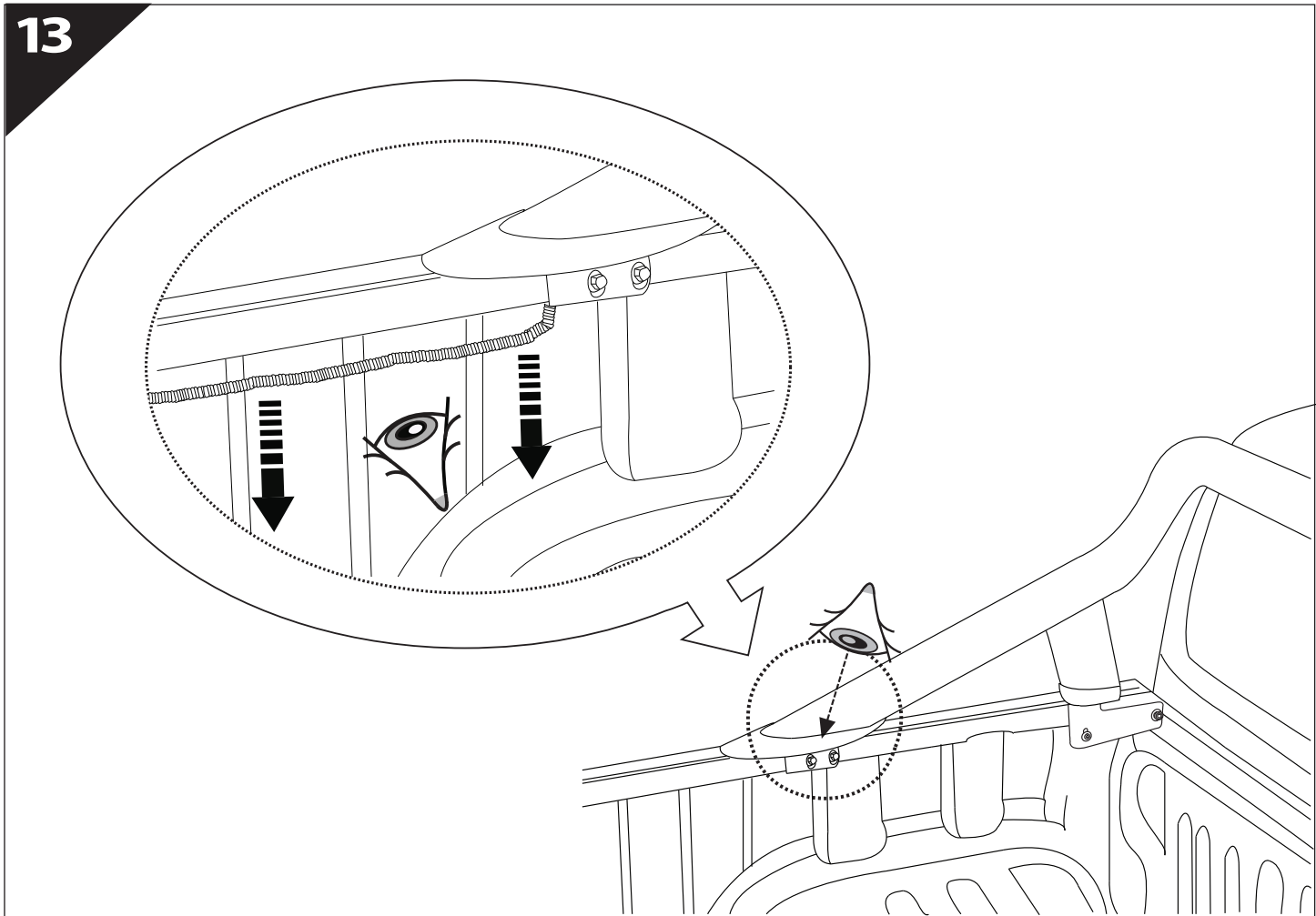


11.1

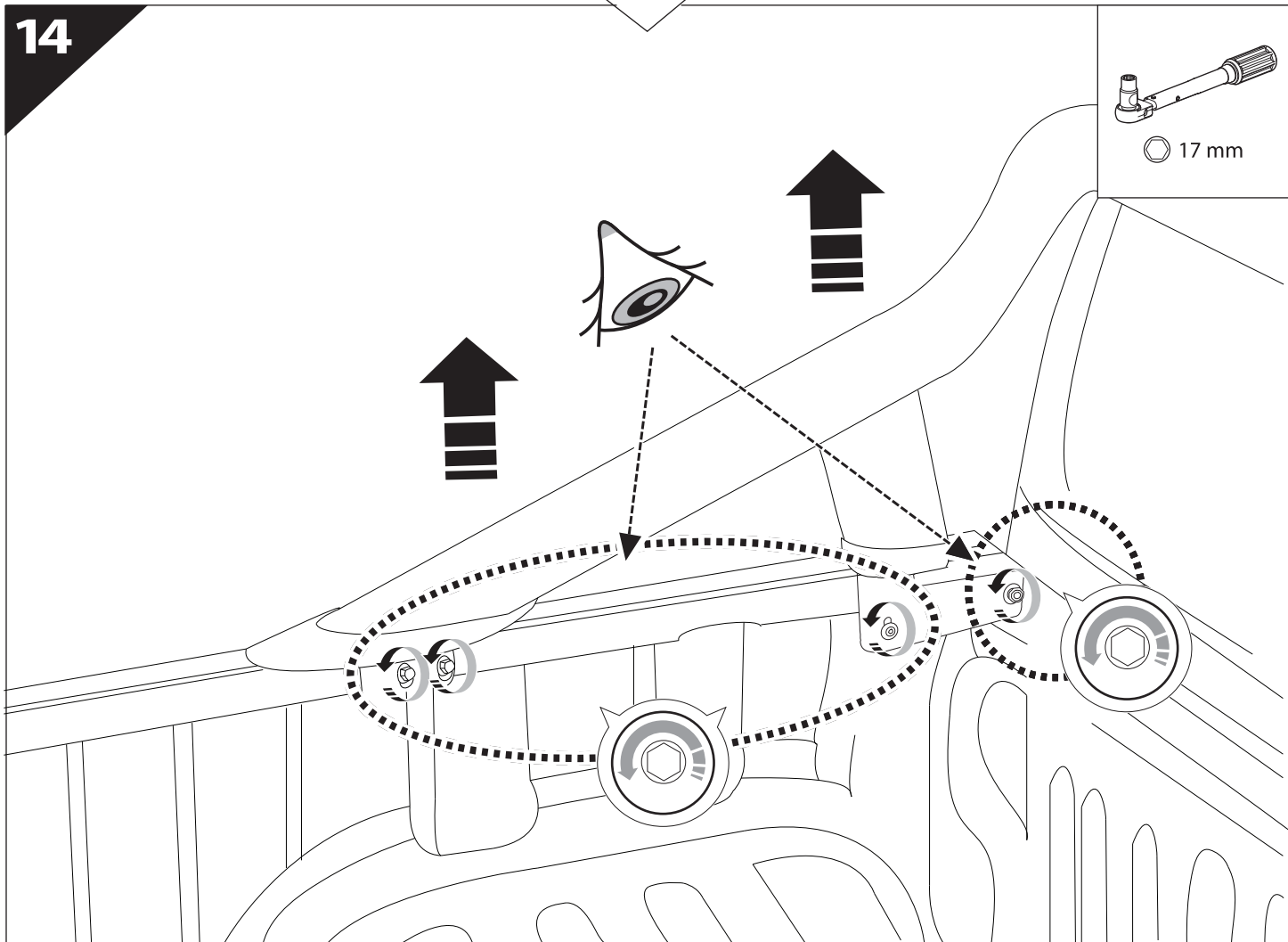


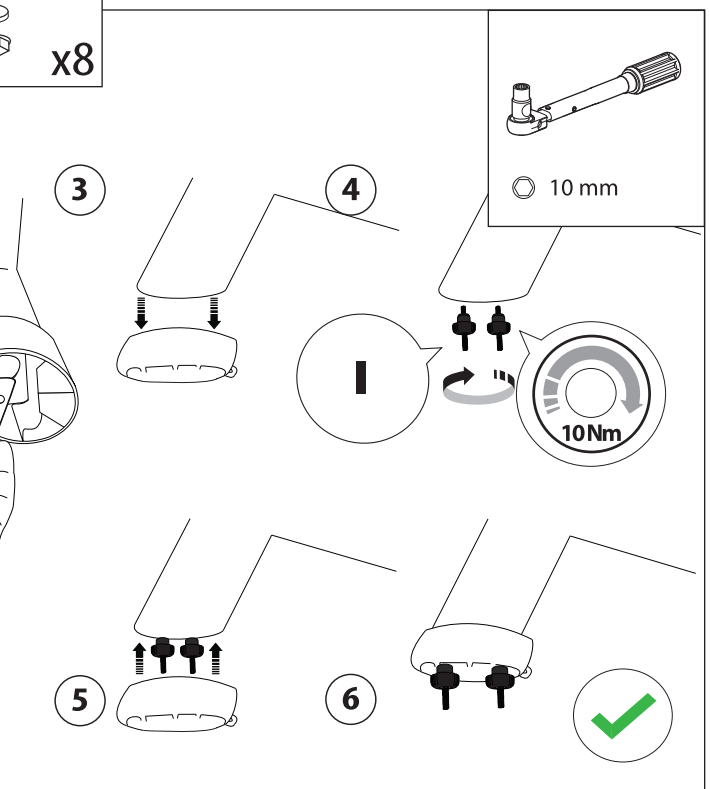
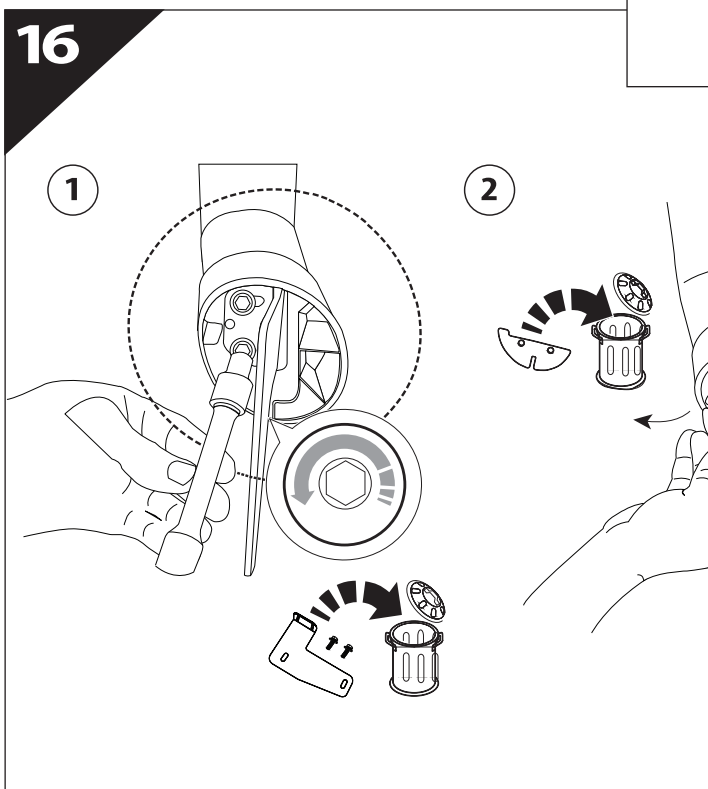
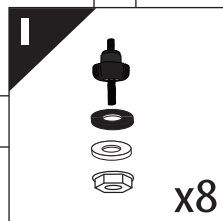
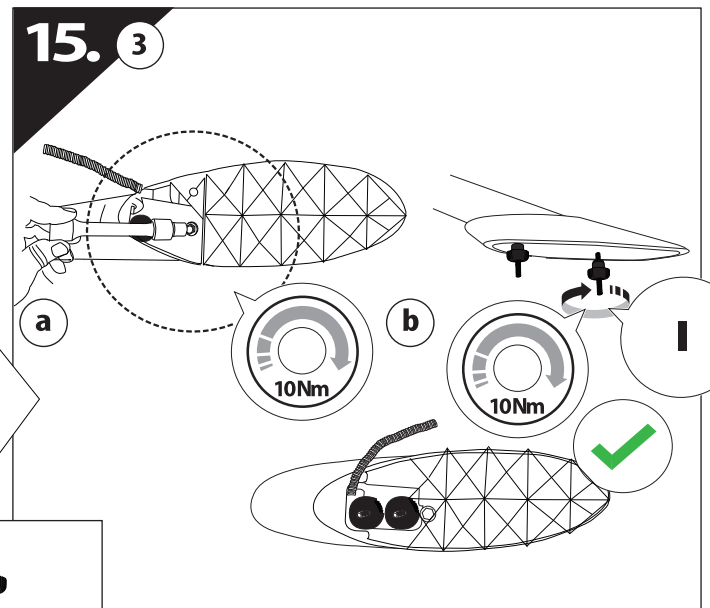
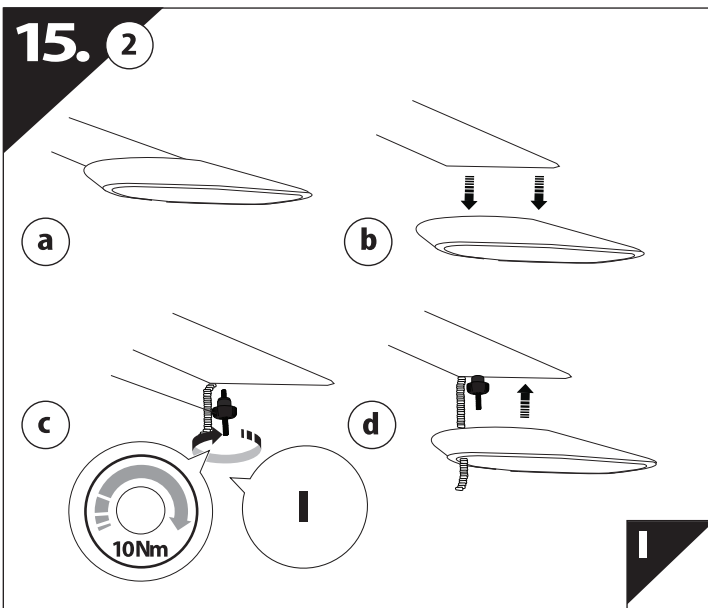
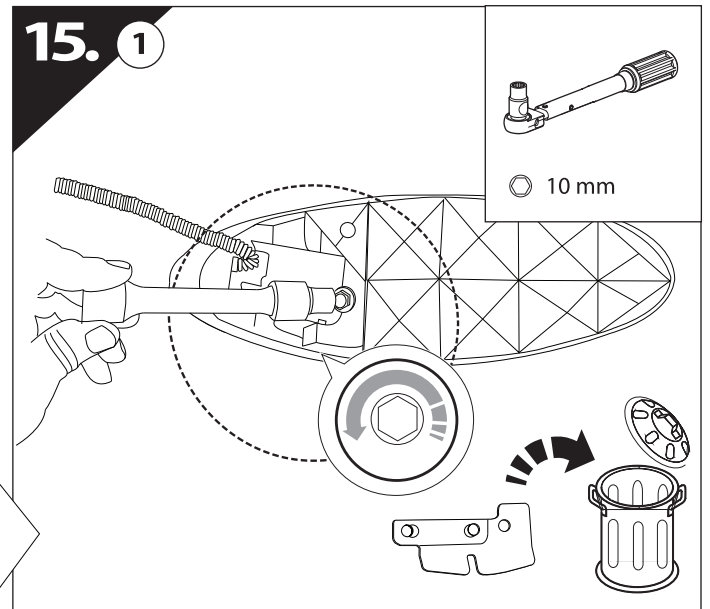
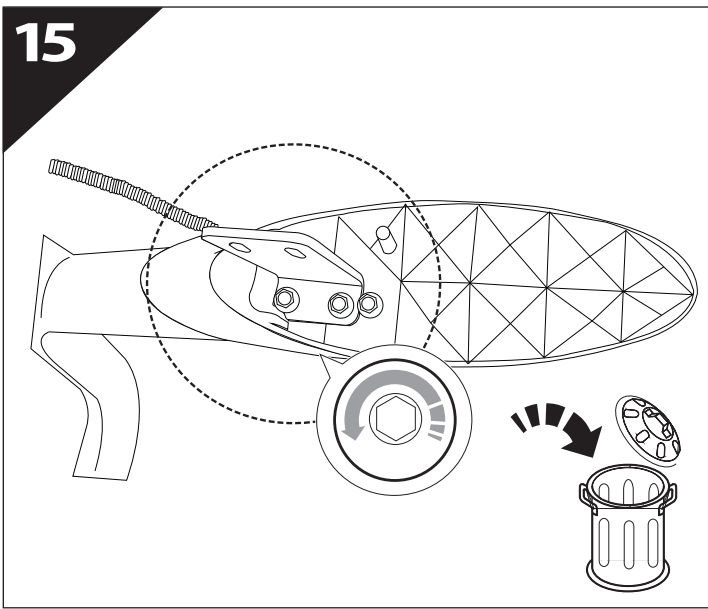


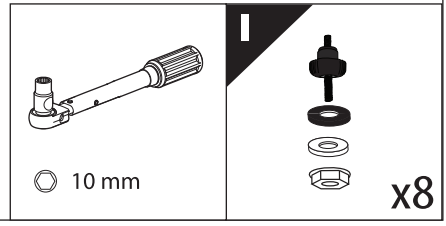
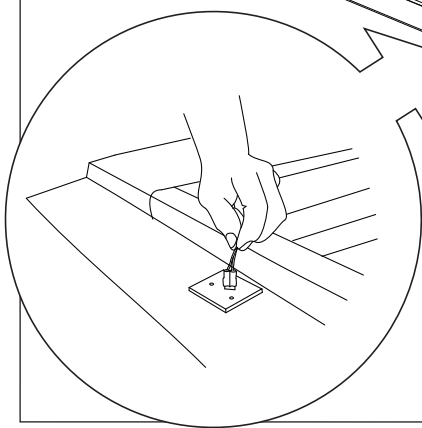
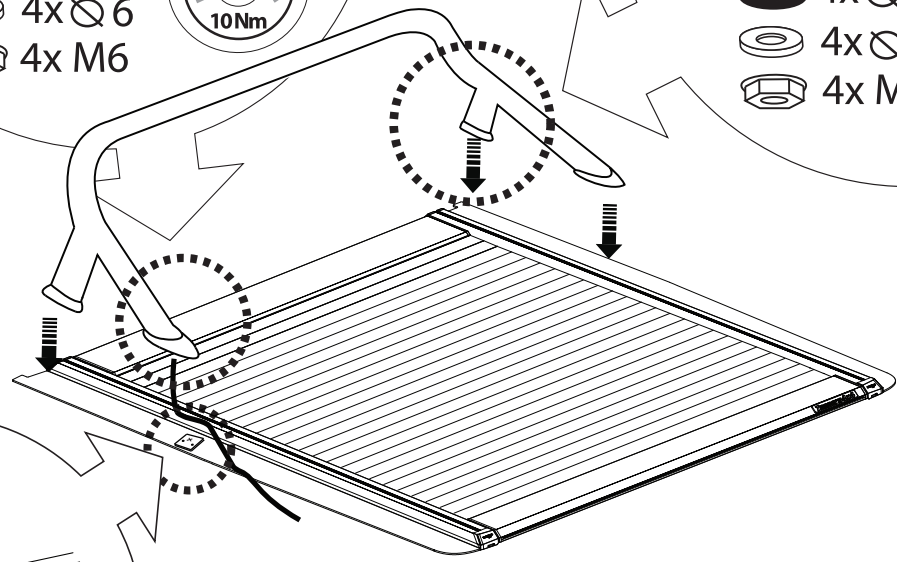
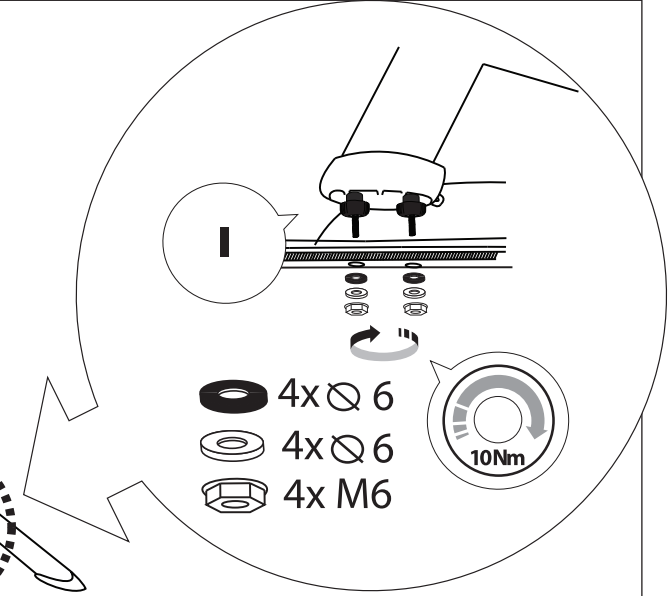
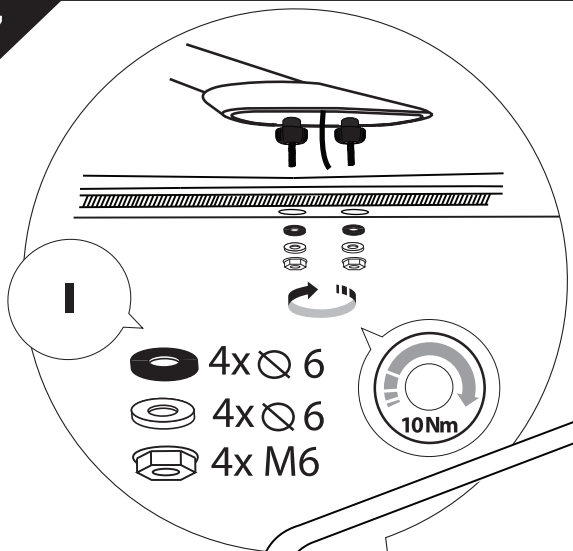
13



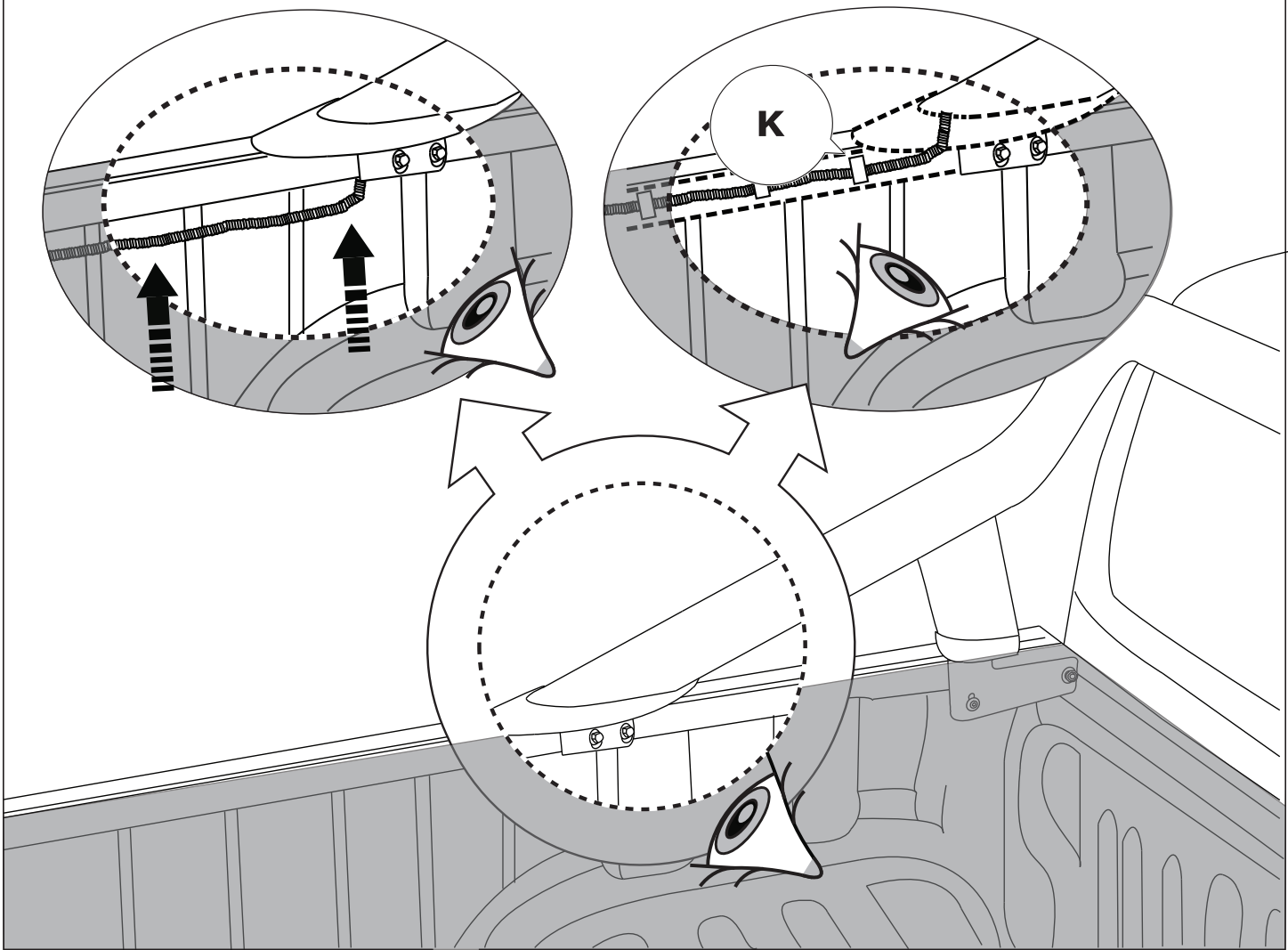
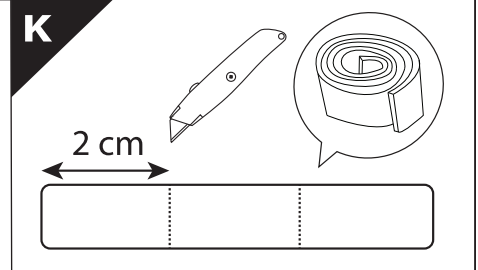
14



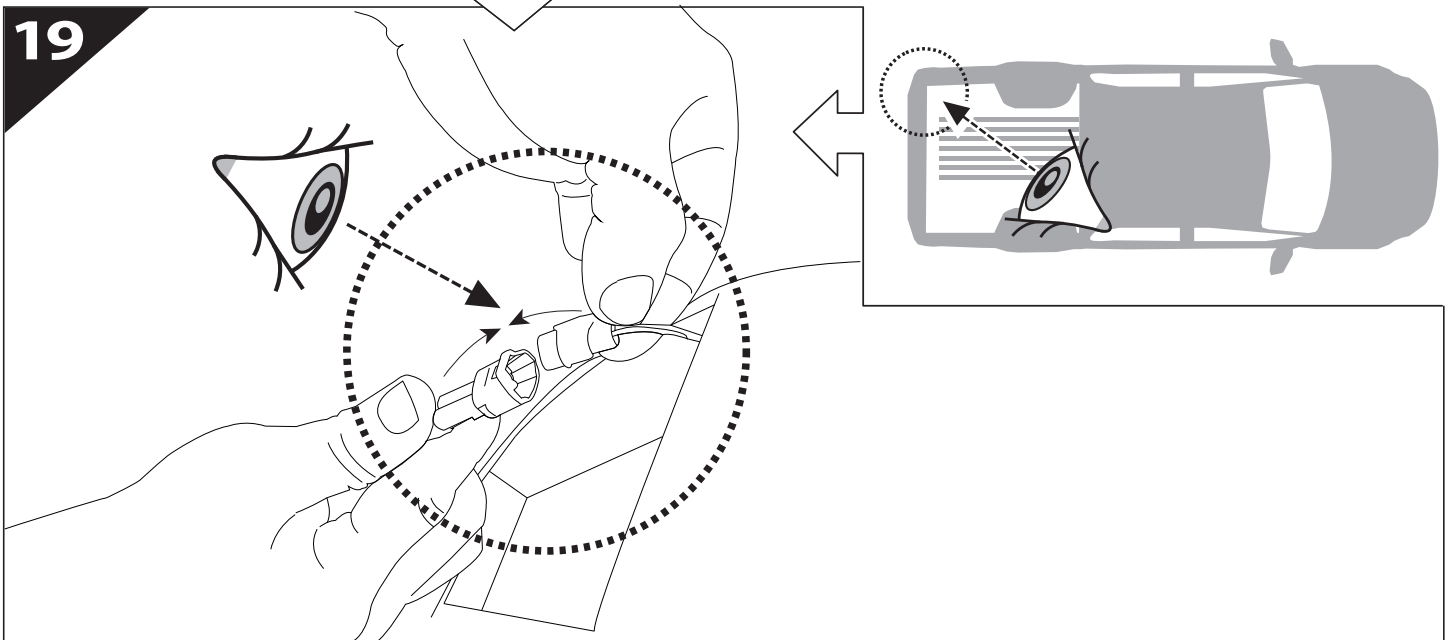




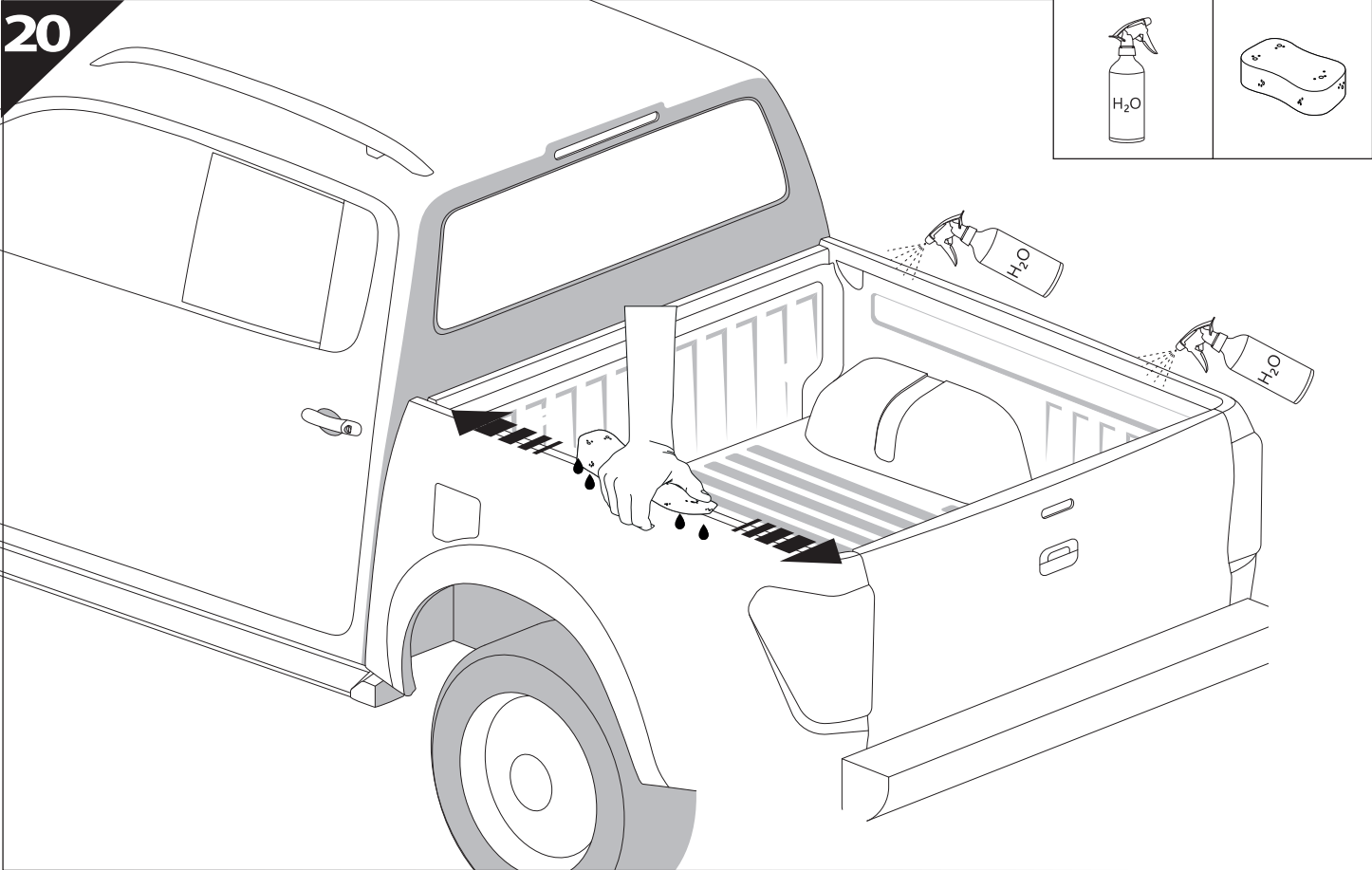
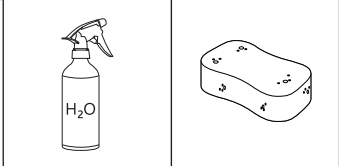
18



19

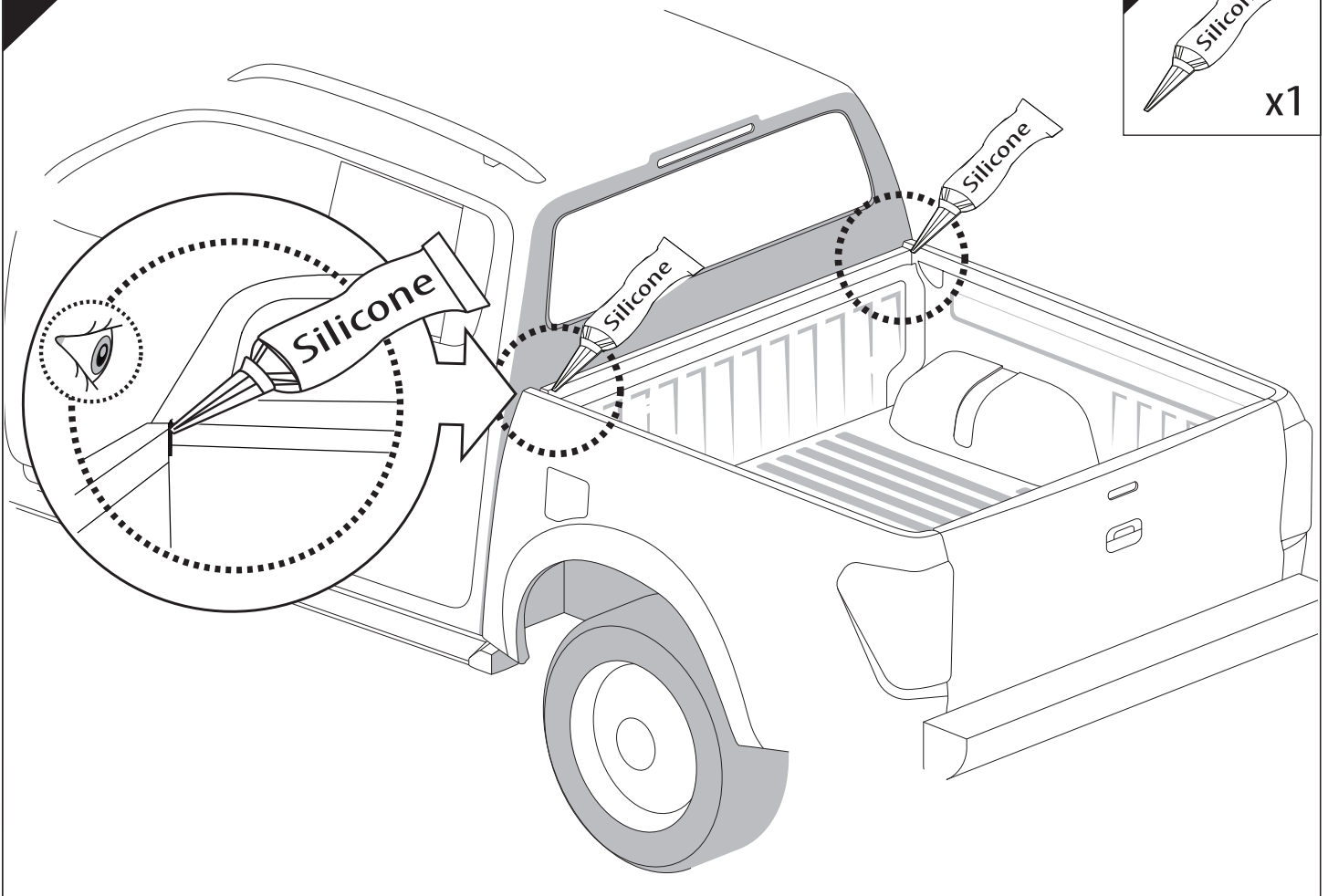


20



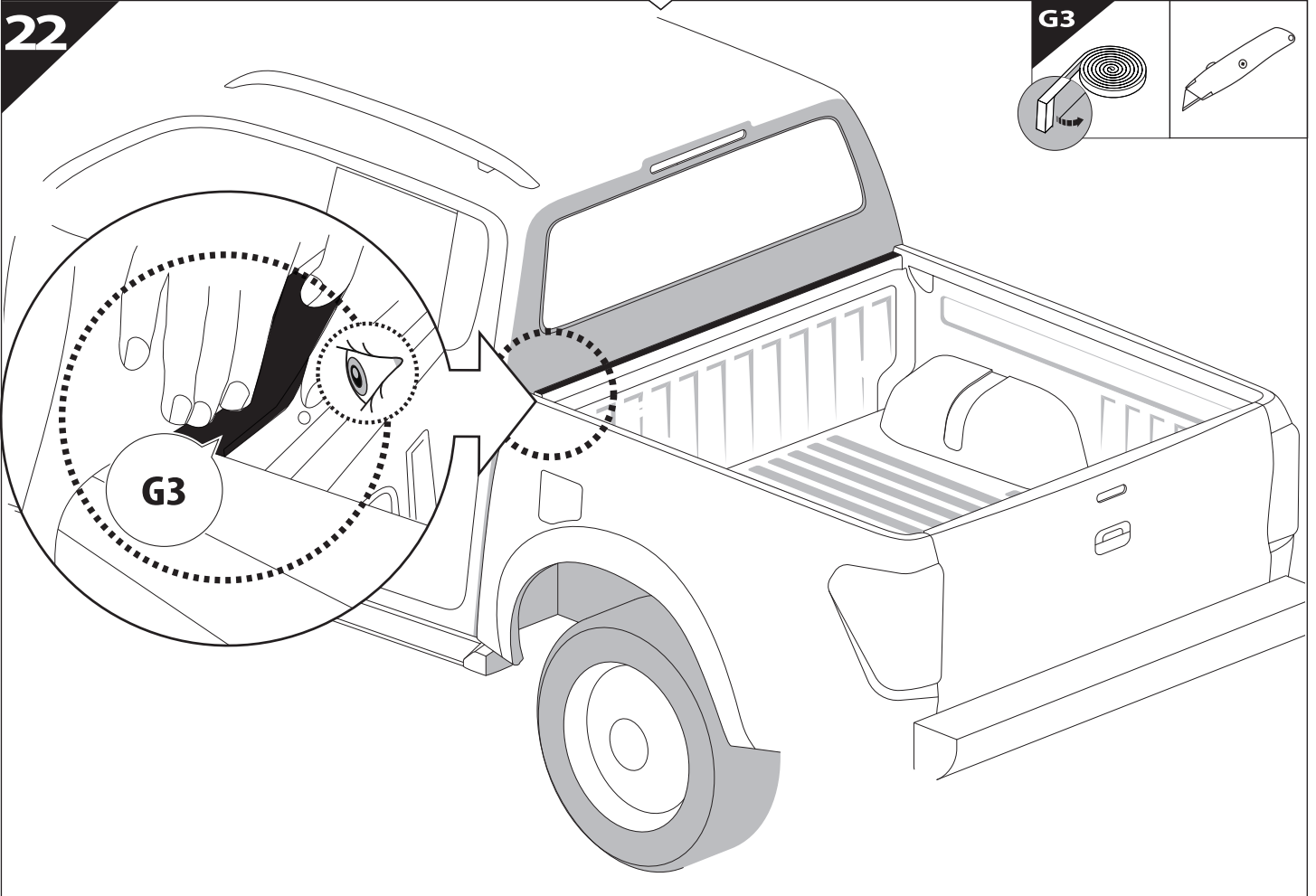
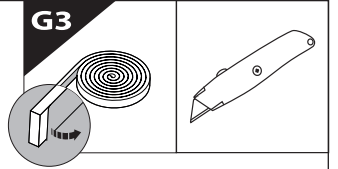
21

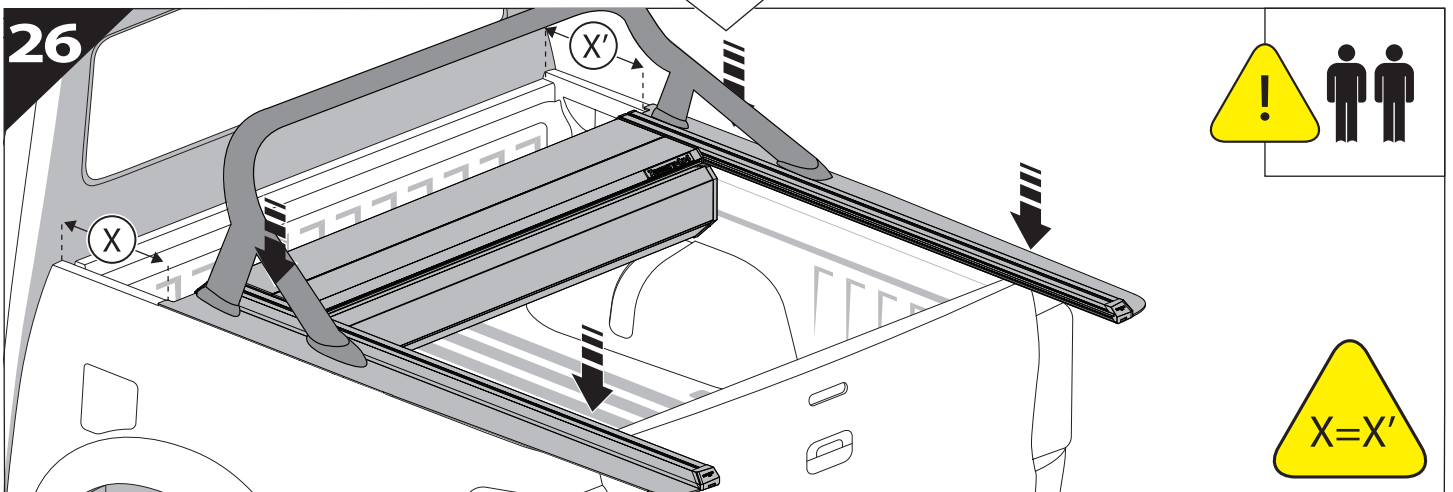
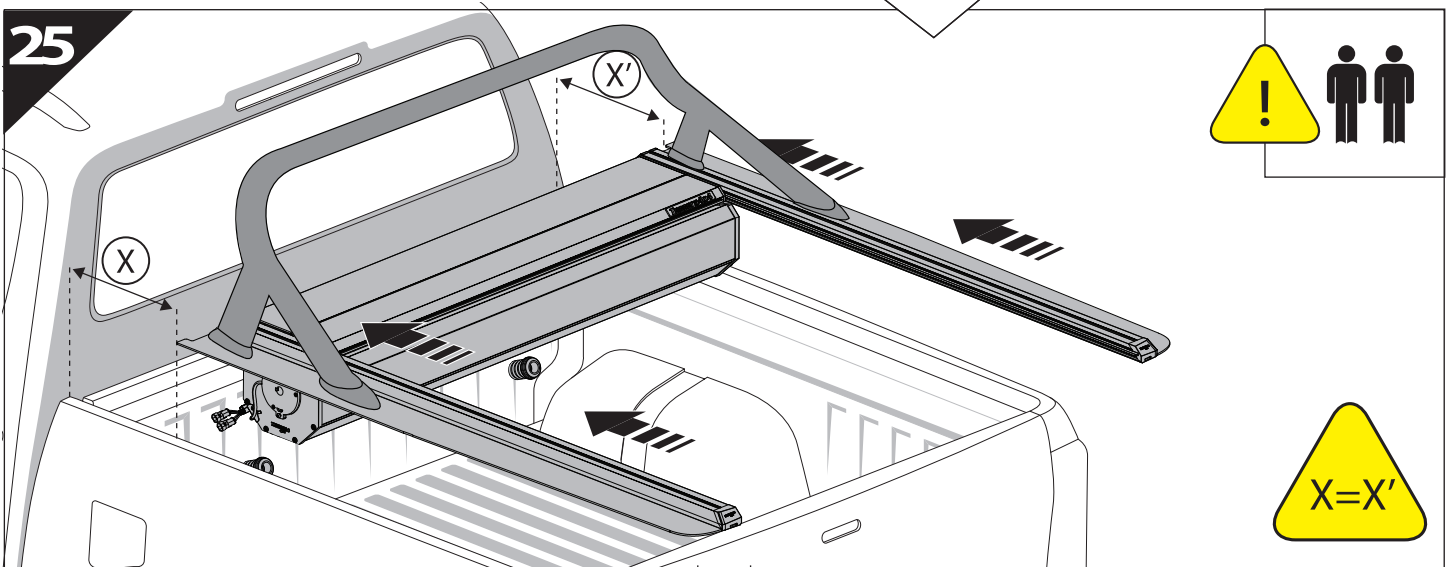
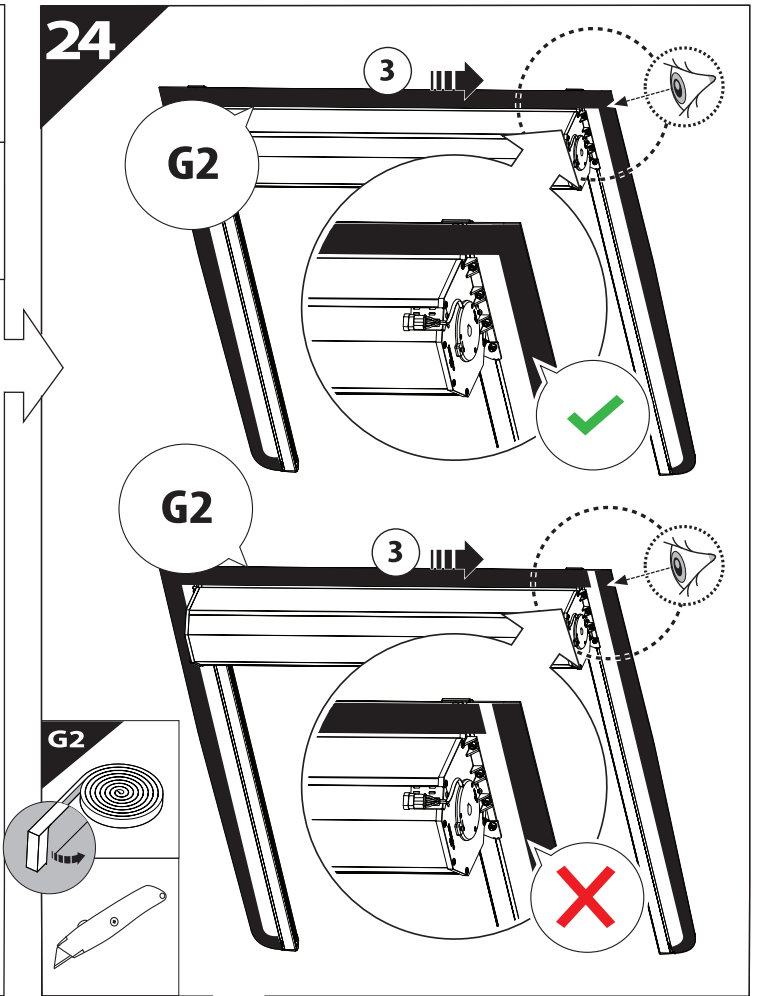
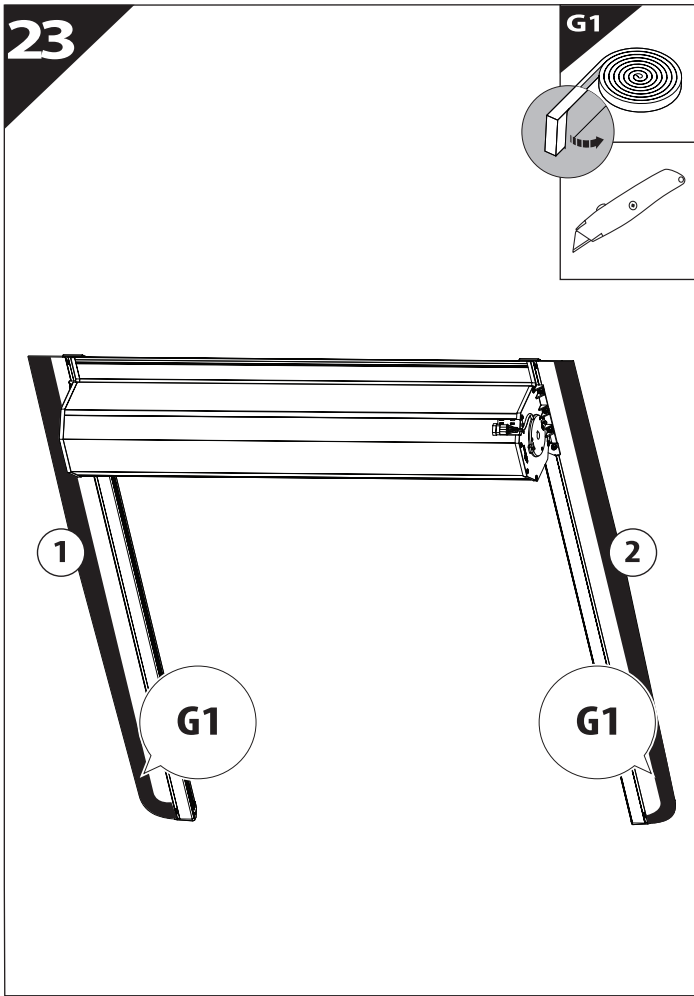
J



22

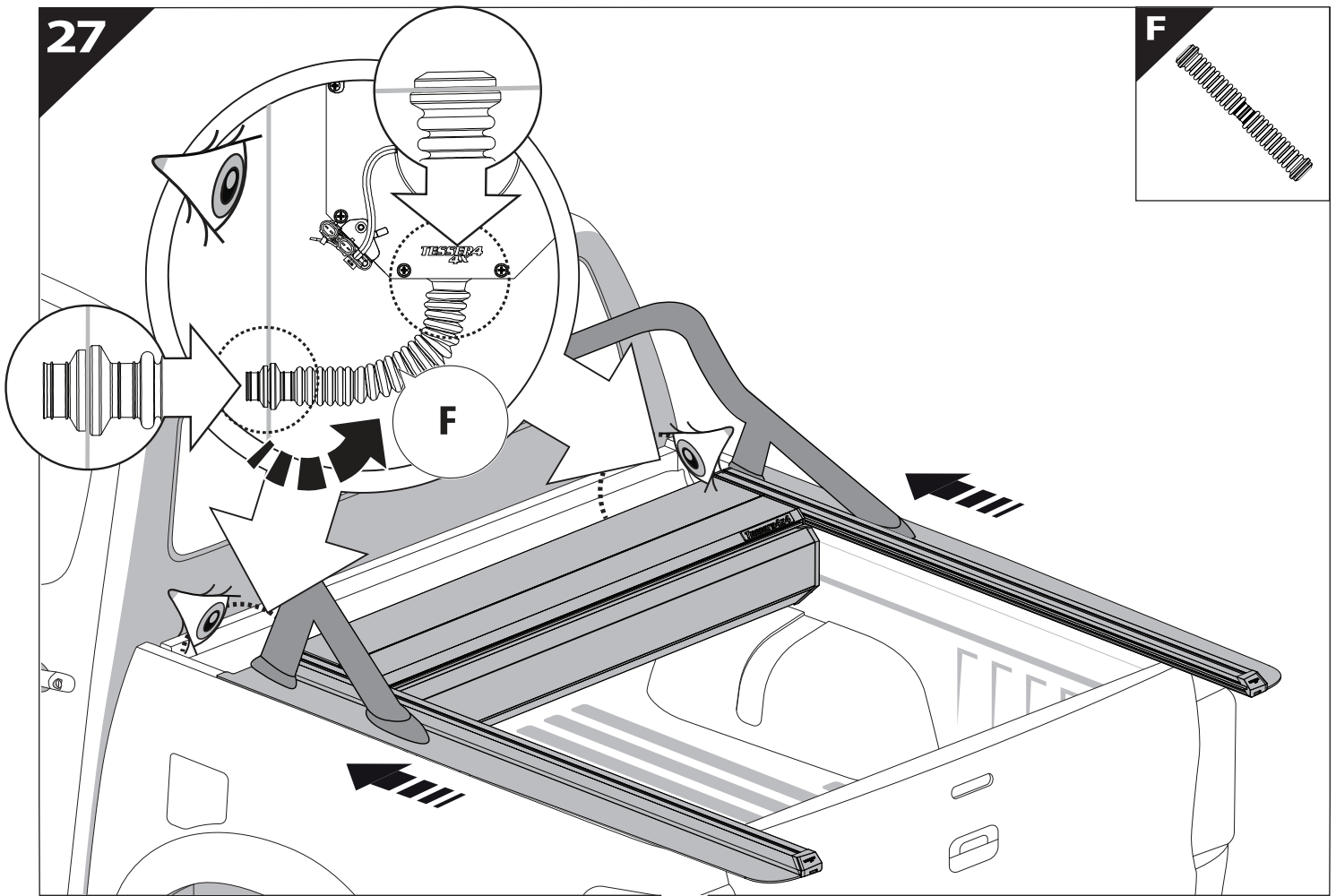
G3



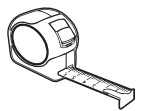
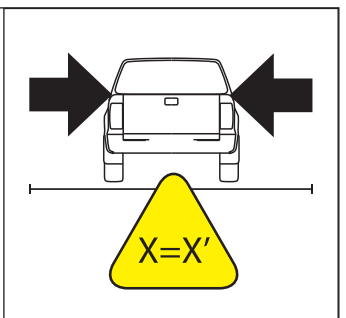
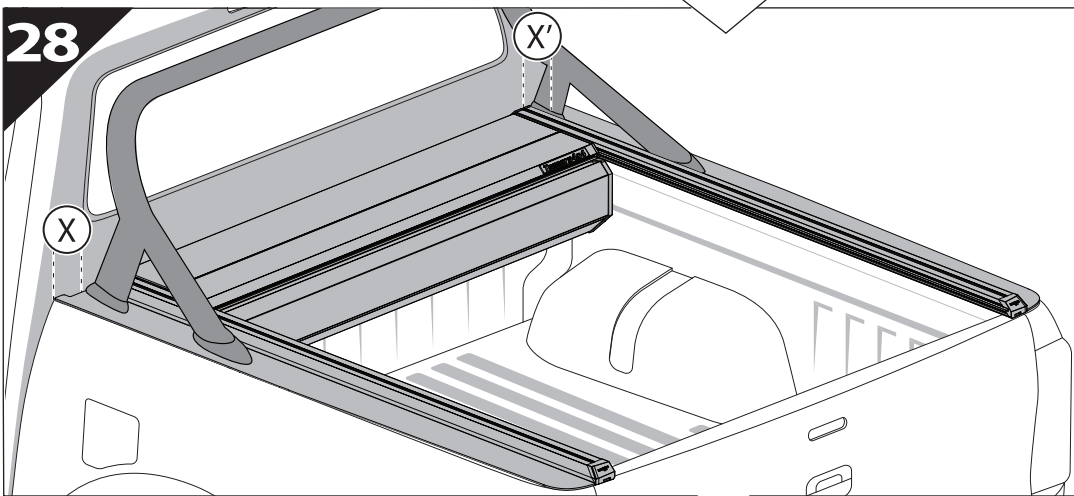


27

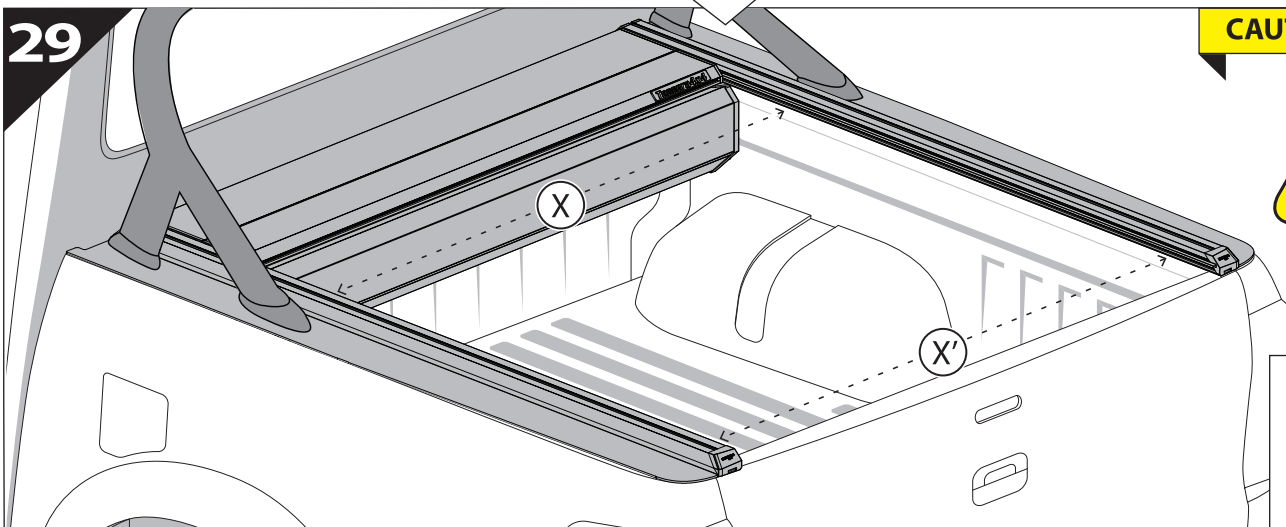
F



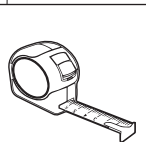
28

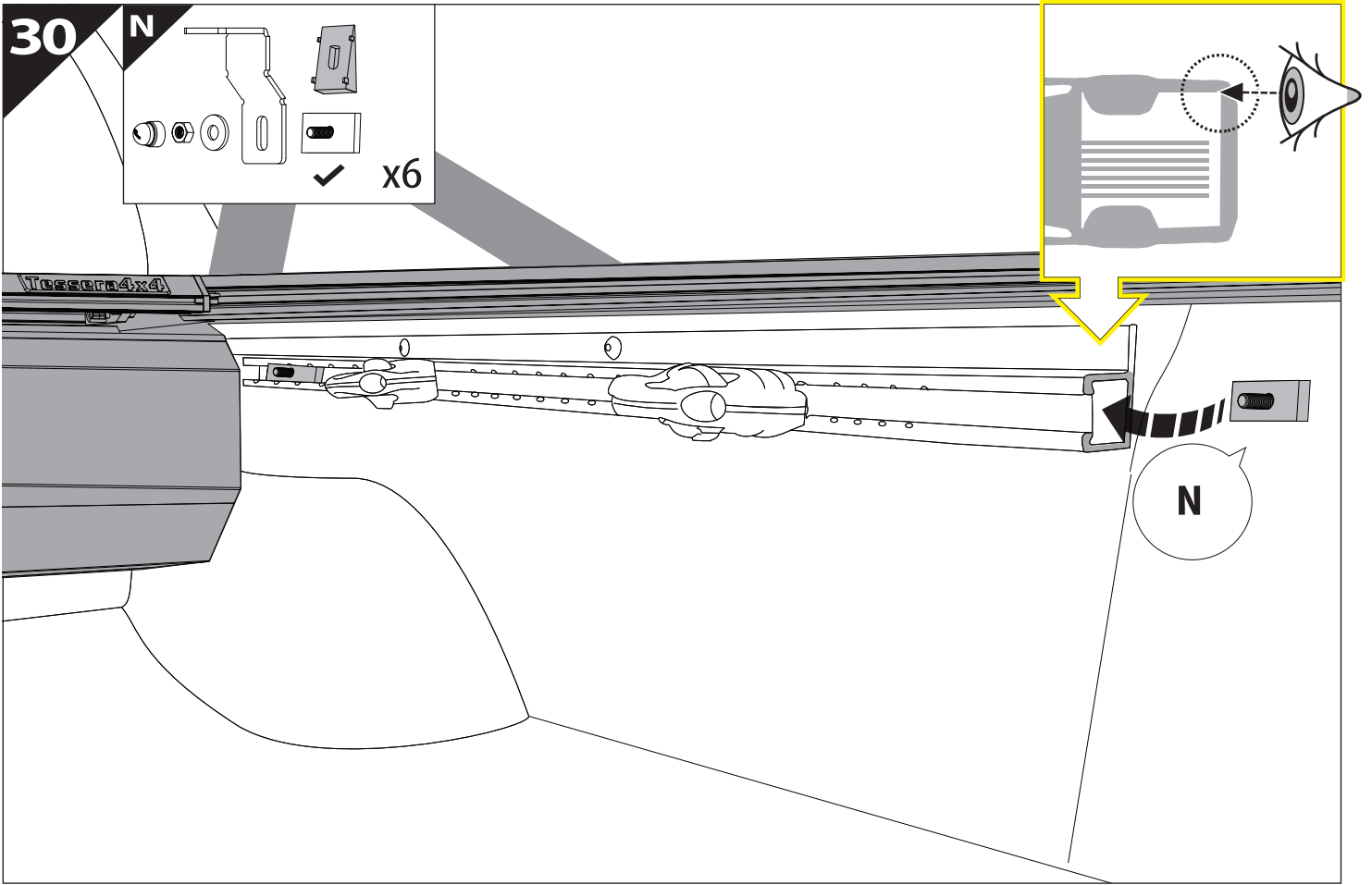


29

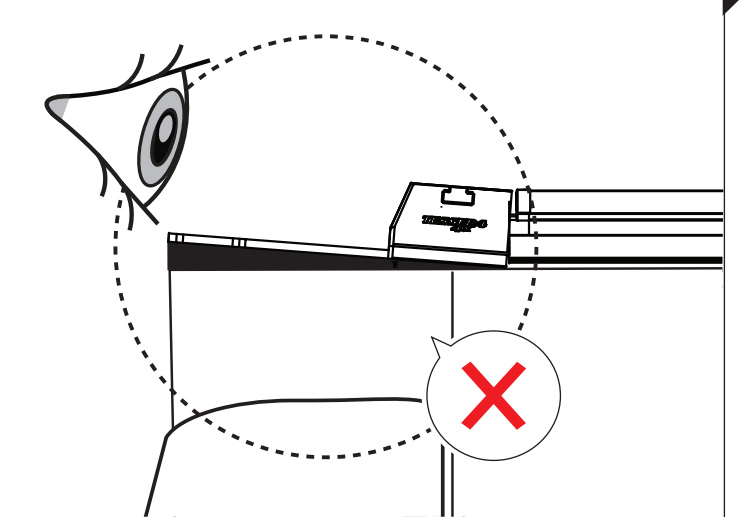
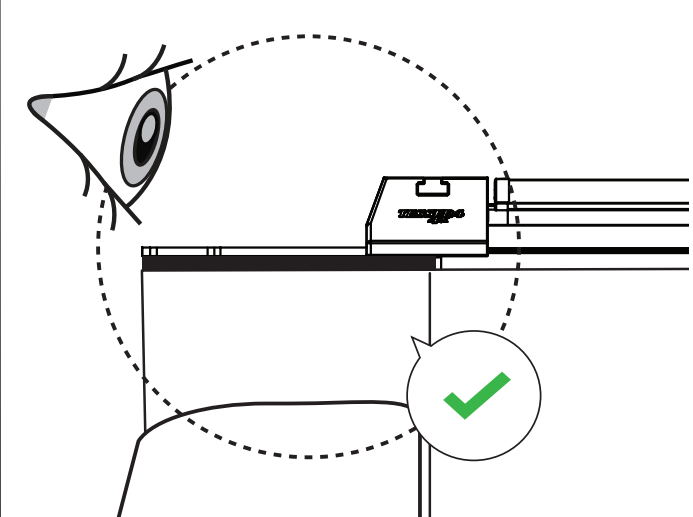
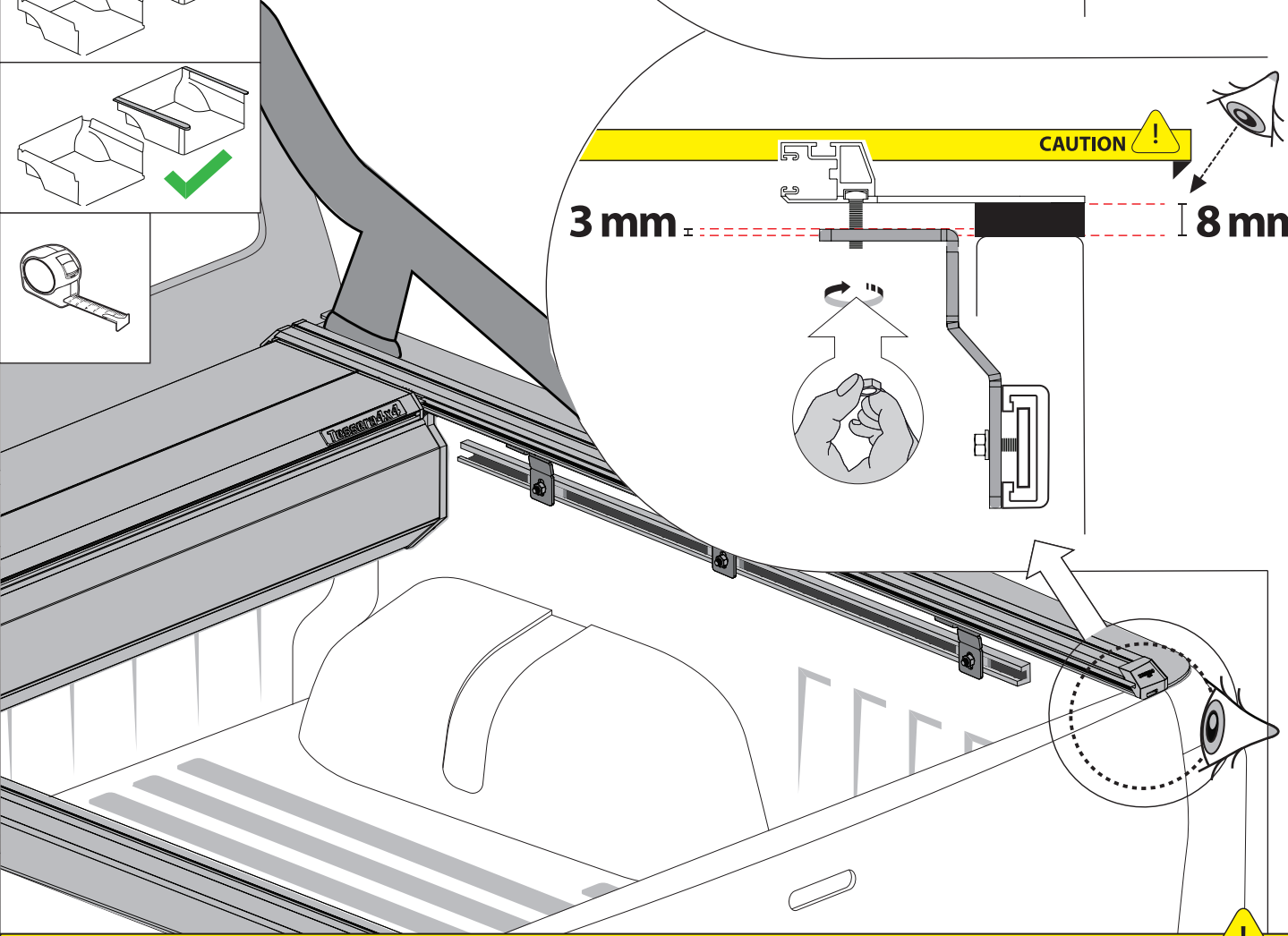
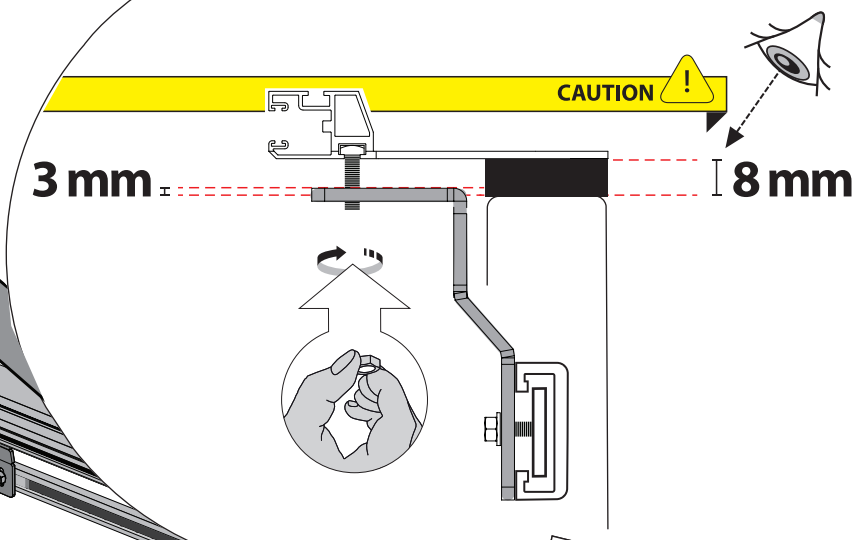
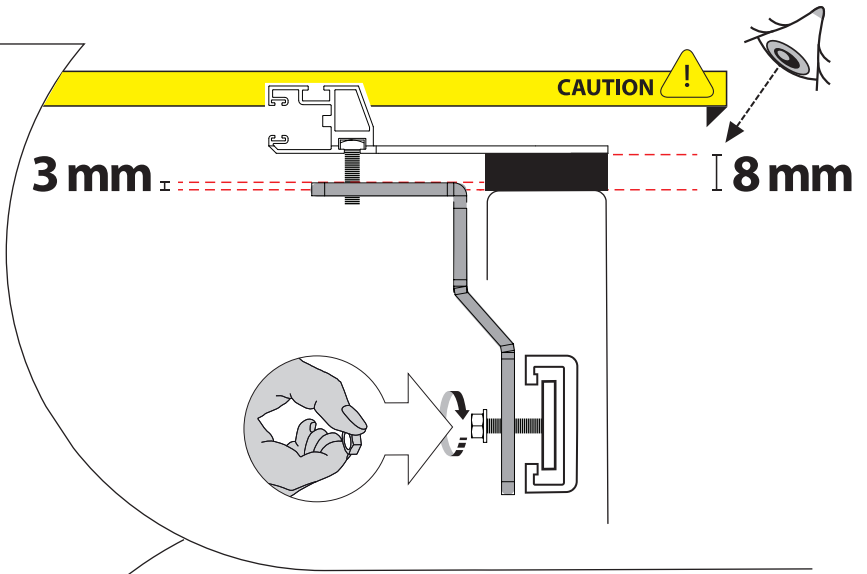
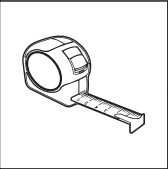
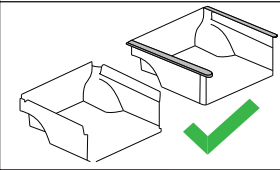
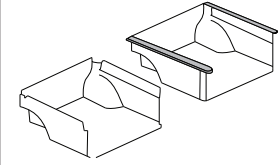
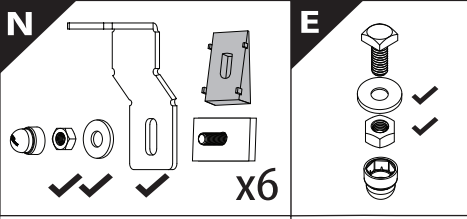


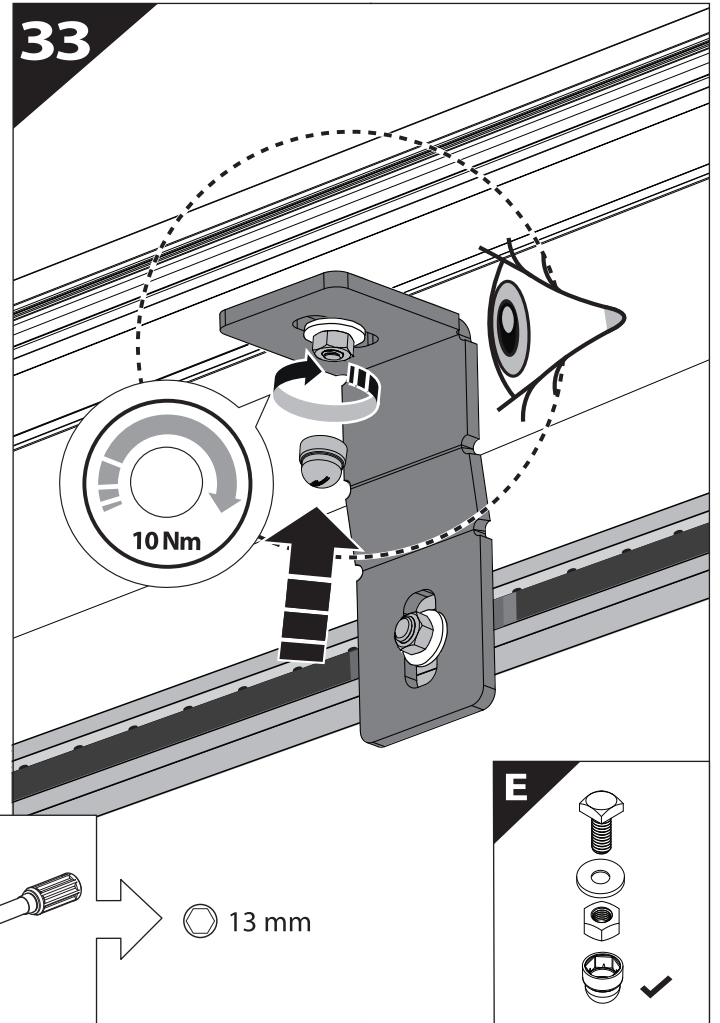
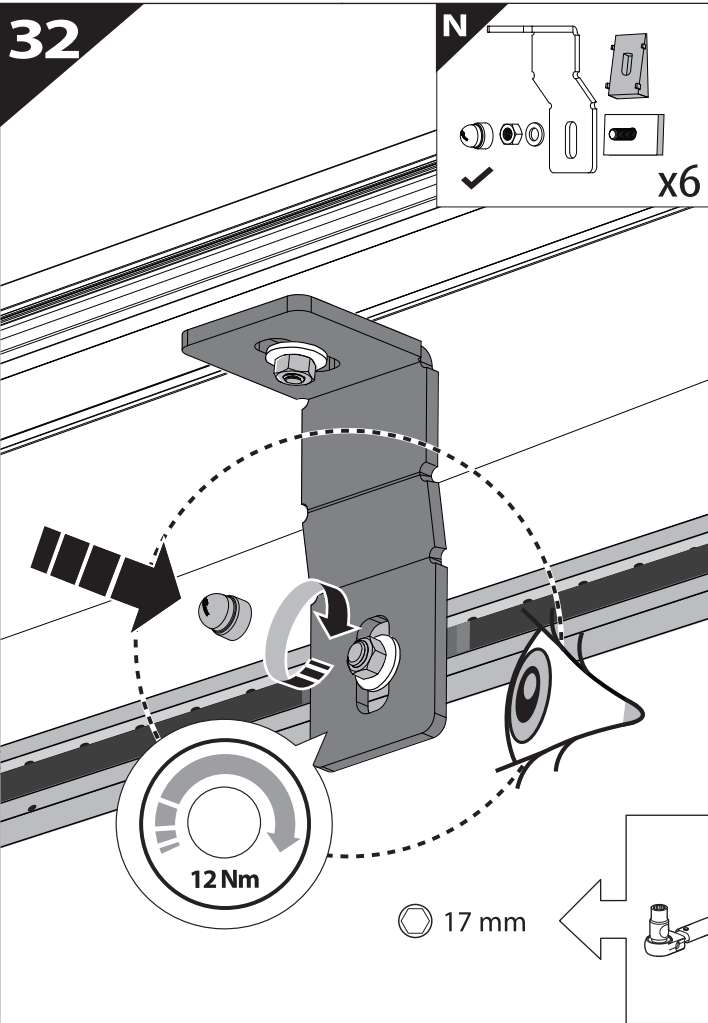
CAUTION !



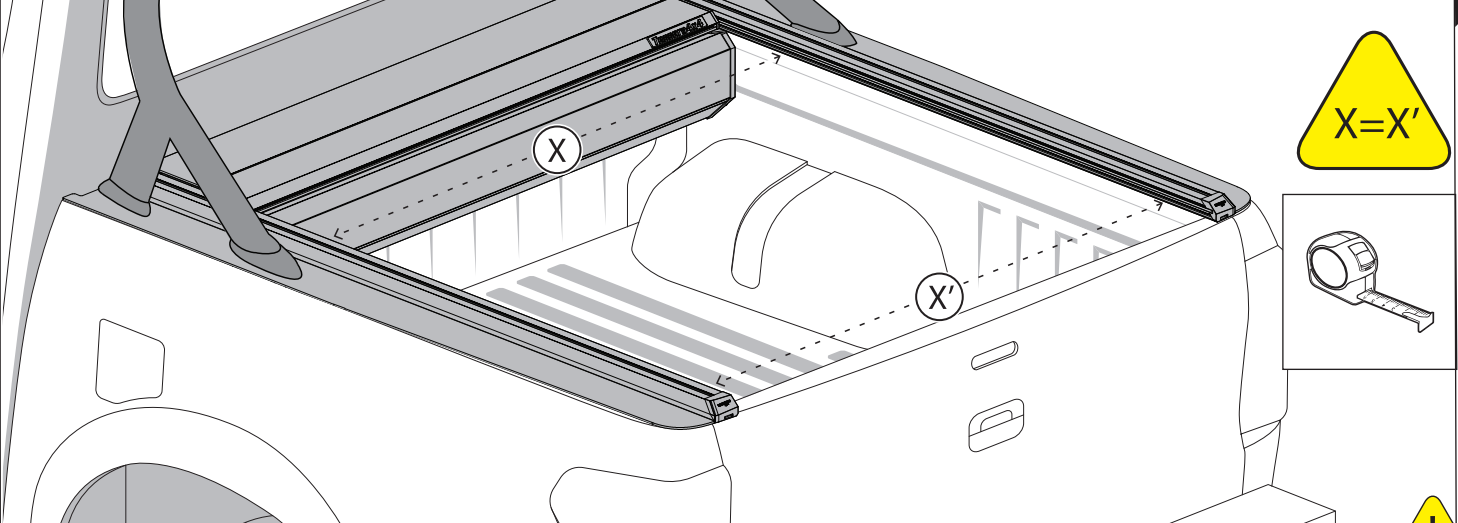


31

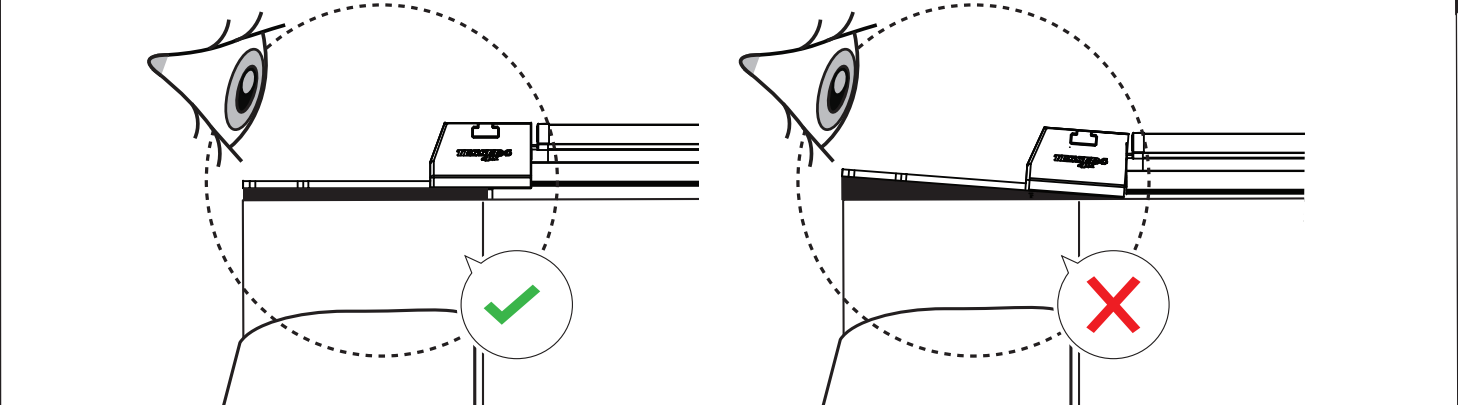




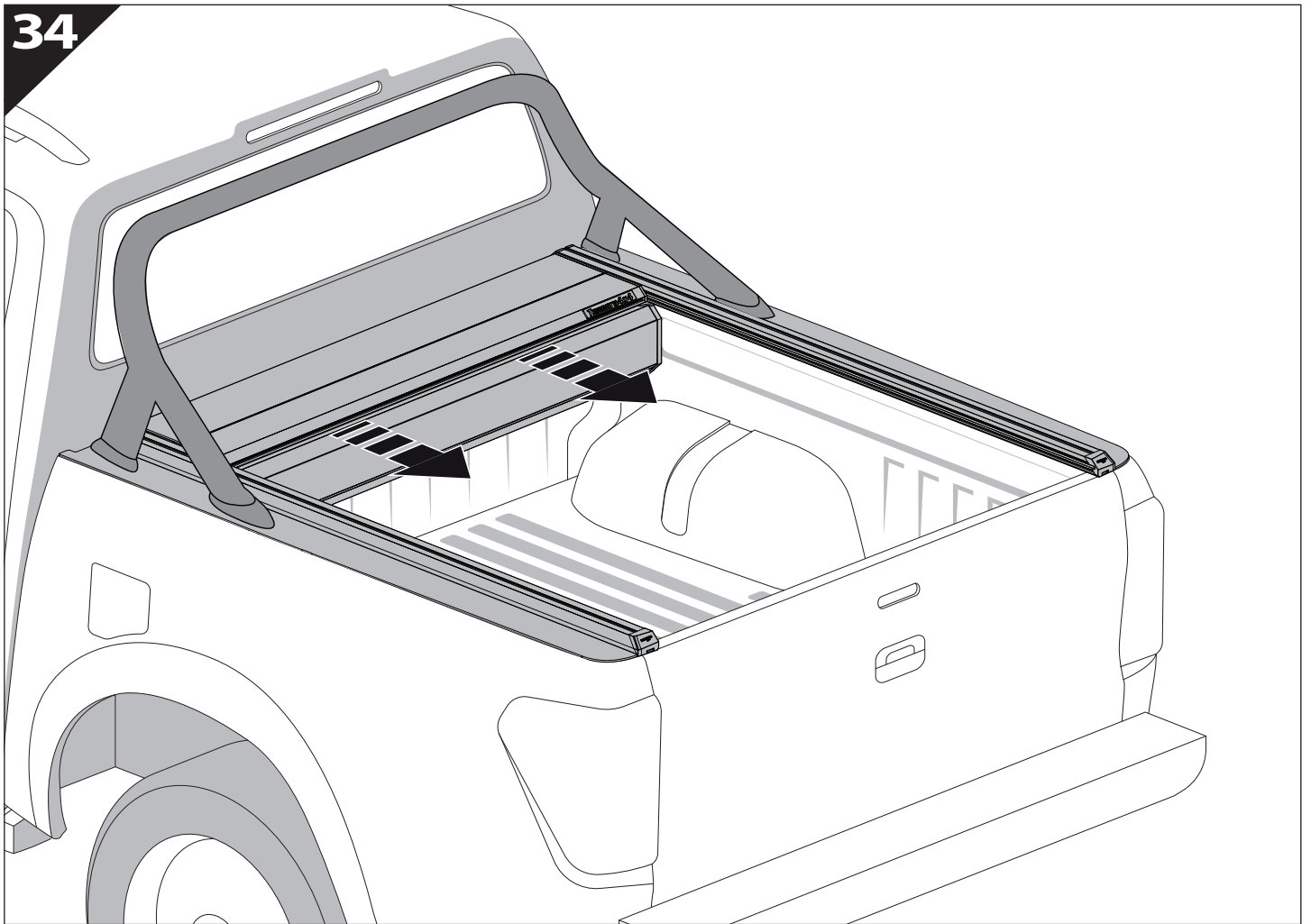
CAUTION !



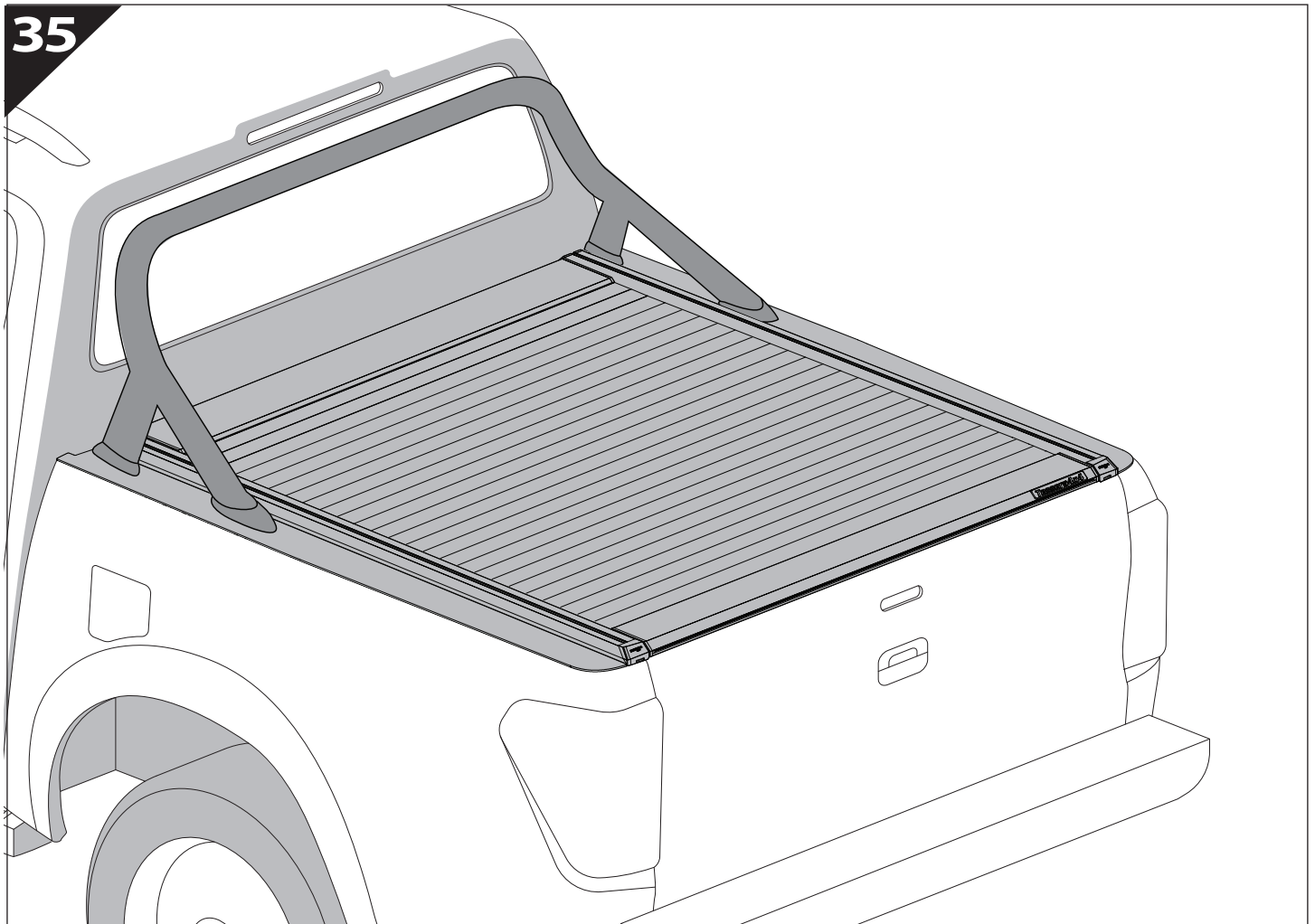
CAUTION !



34



35





GR: Οδηγίες Εγκατάστασης
GB: Installation manual
SF: Asennusohje
F: Notice de montage
PL: Instrukcja montażu
NL: Installatie-instructies
TR: Montaj Talimatı
S: Monteringsanvisning
E: Instrucciones de montaje

H: Szerelési utasítás
P: Instruções de instalação
RUS: Инструкция по установке
N: Monteringsveiledning
D: Einbauanleitung
CZ: Návod k instalaci
I: Istruzioni de montaggio
DK: Monteringsvejledning
RO: Instructiuni de instalare

Customer Service:

+30 (210) 5541161, +30 (210) 5541154 (08:00 - 16:00 EET)

Support department:

info@gianso.gr

Website:

www.tessera4x4.com

Address:

19.5 km of National road Athens-Korinthos (Elefsina) Greece, P.C: 19200