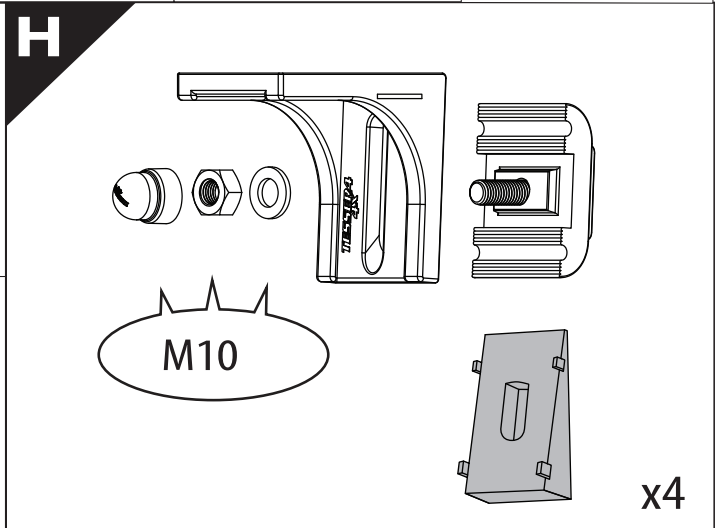
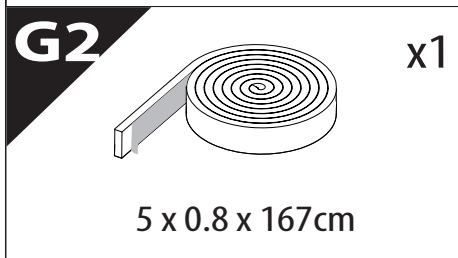
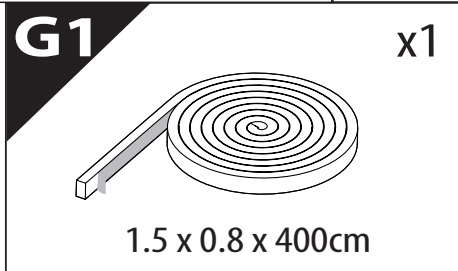
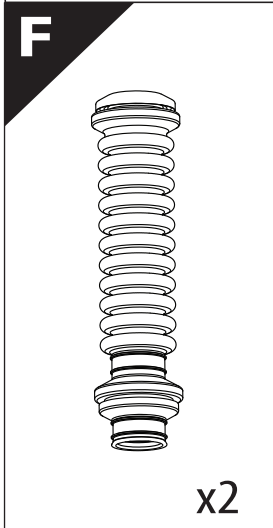
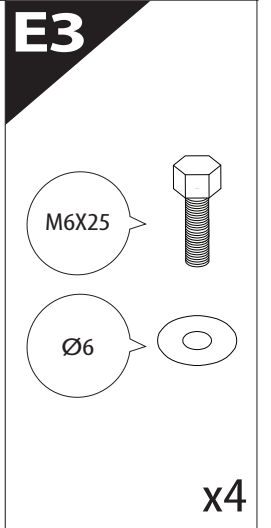
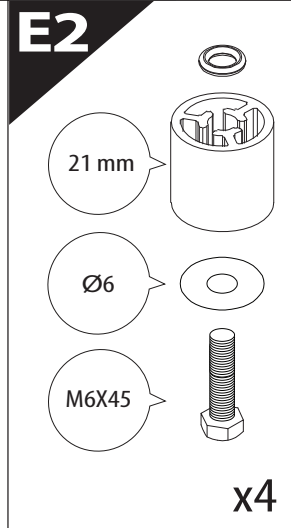
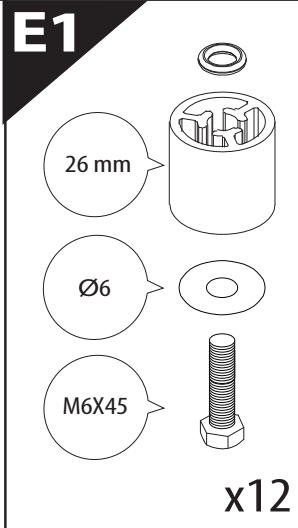
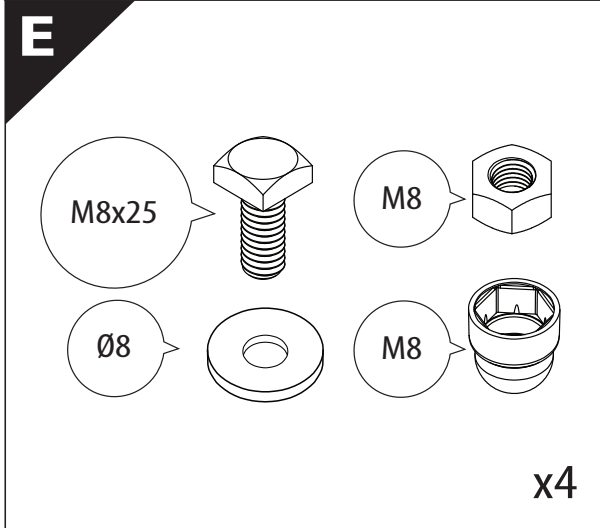
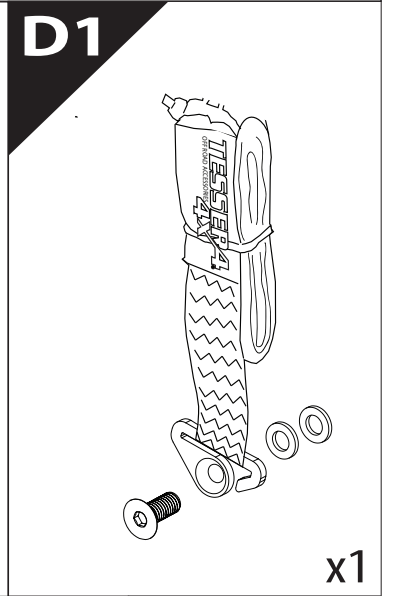
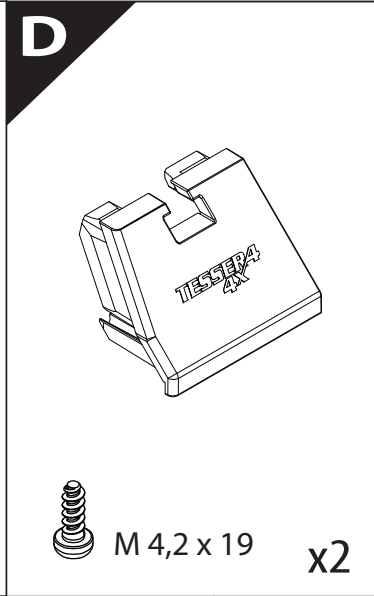
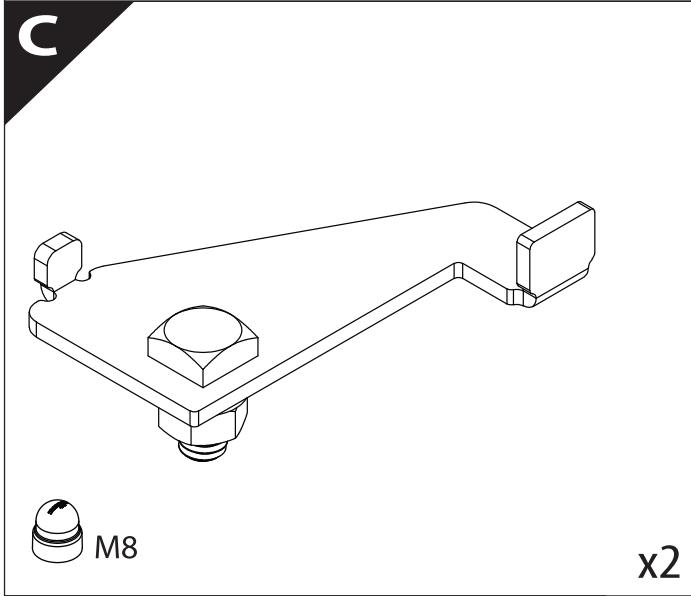
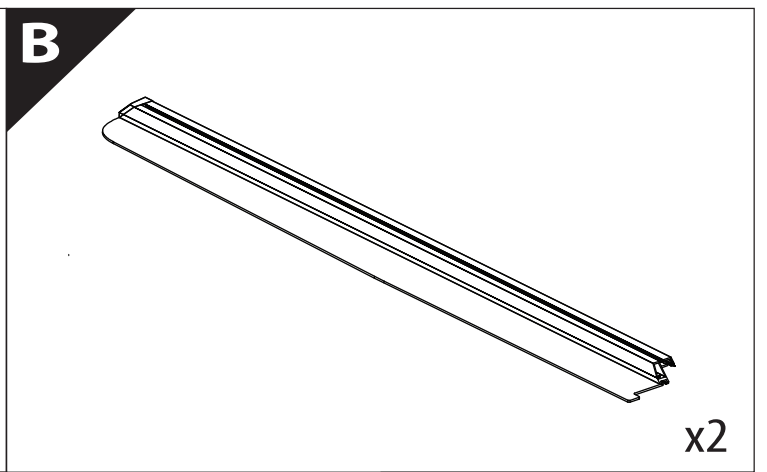
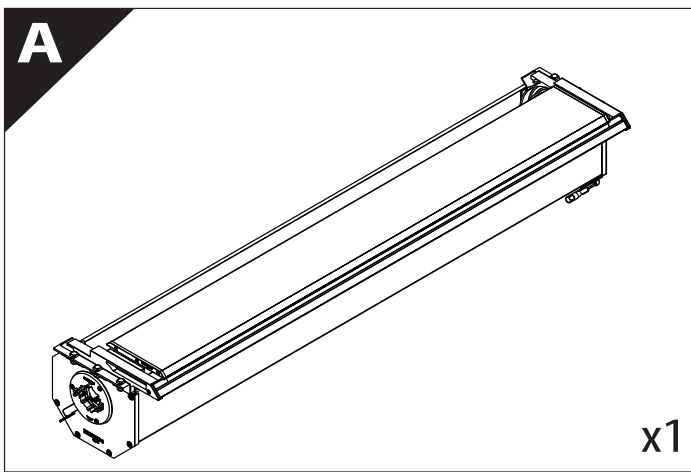
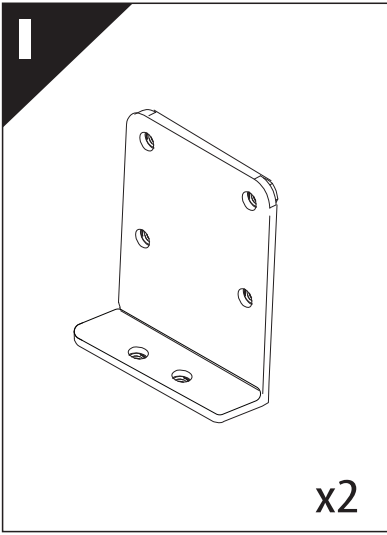
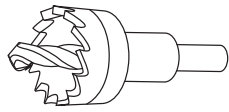


Installation Manual

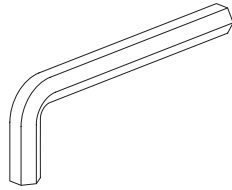
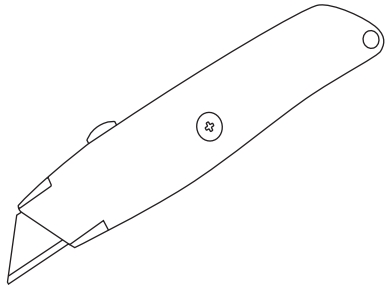
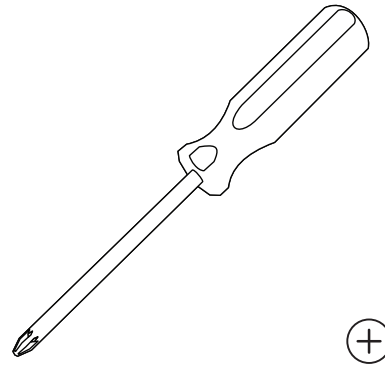
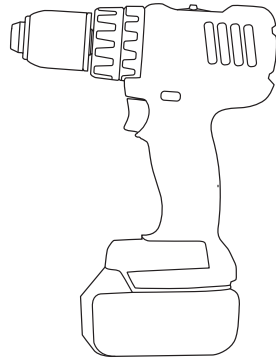
PART NUMBER(S)	Model Year
TESS 150412 SE	ISUZU DMAX 2025+ SAILPLANE BAR
Cab(s)	Installation Time / Weight
Double Cab	40-60 minutes / 53-57 kg





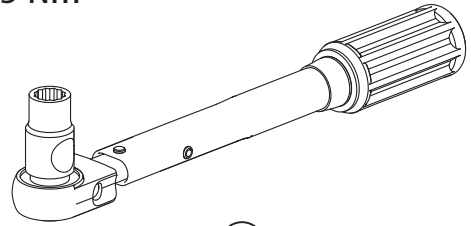


Ø 25 mm / Ø 40 mm

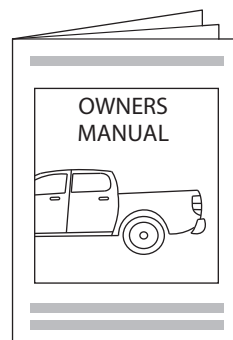
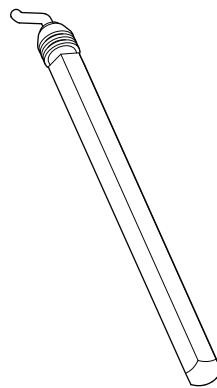
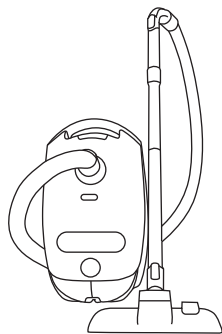
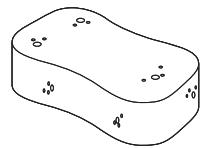
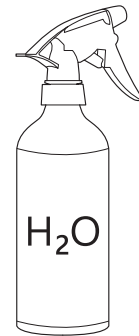
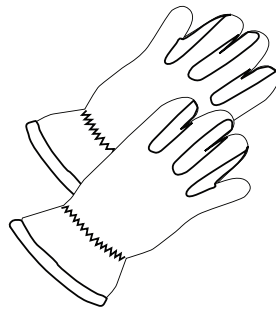
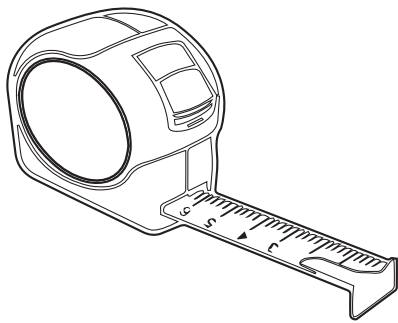


4 mm

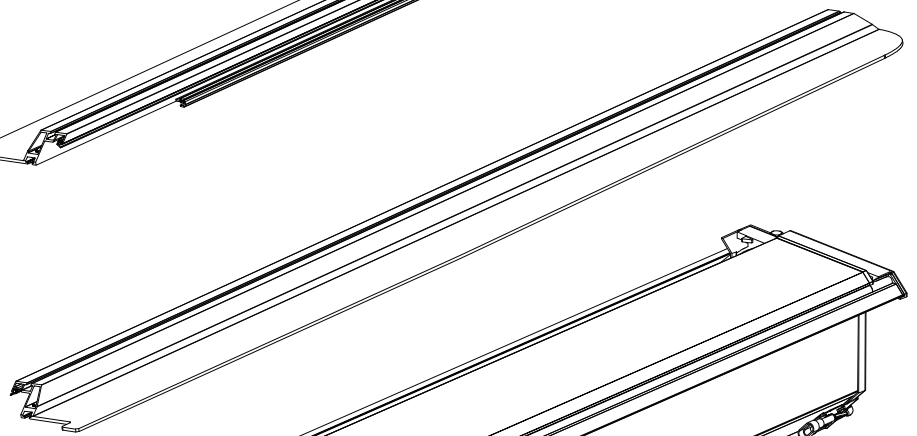
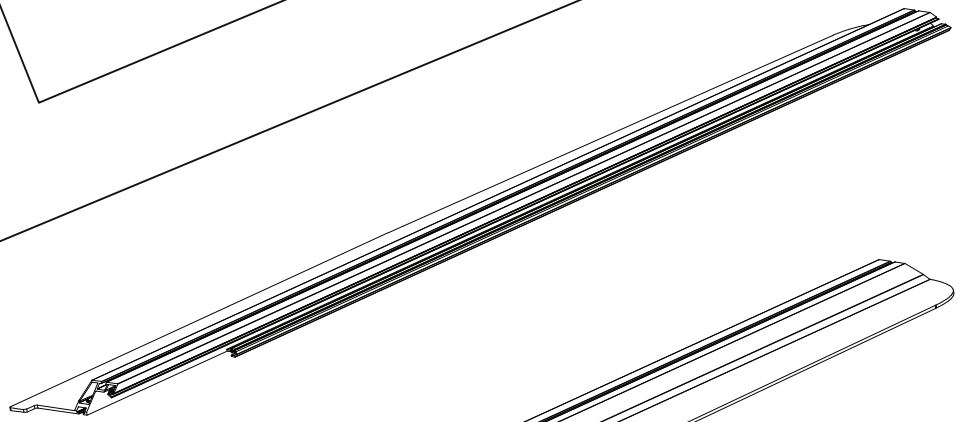
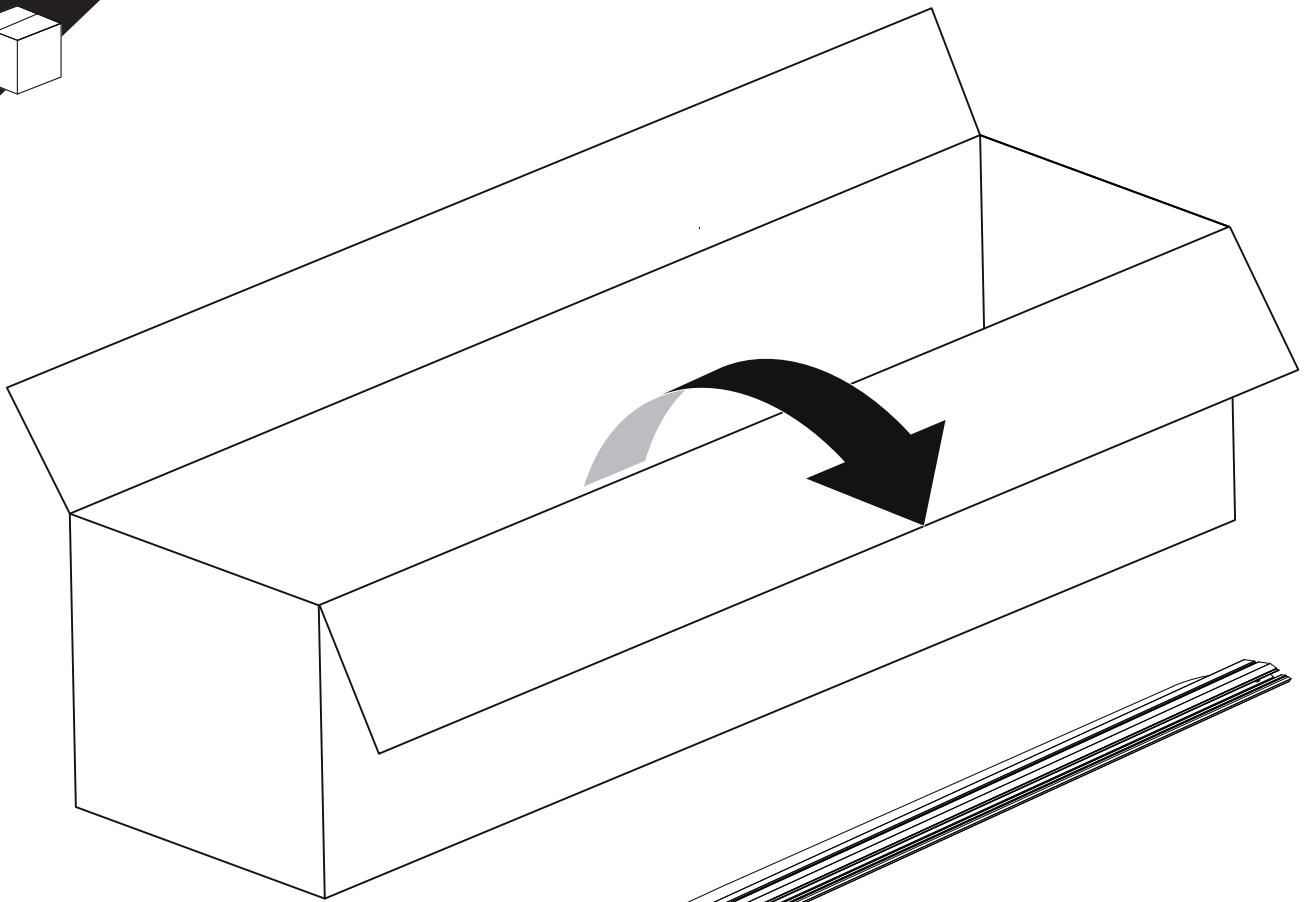
1 - 25 Nm



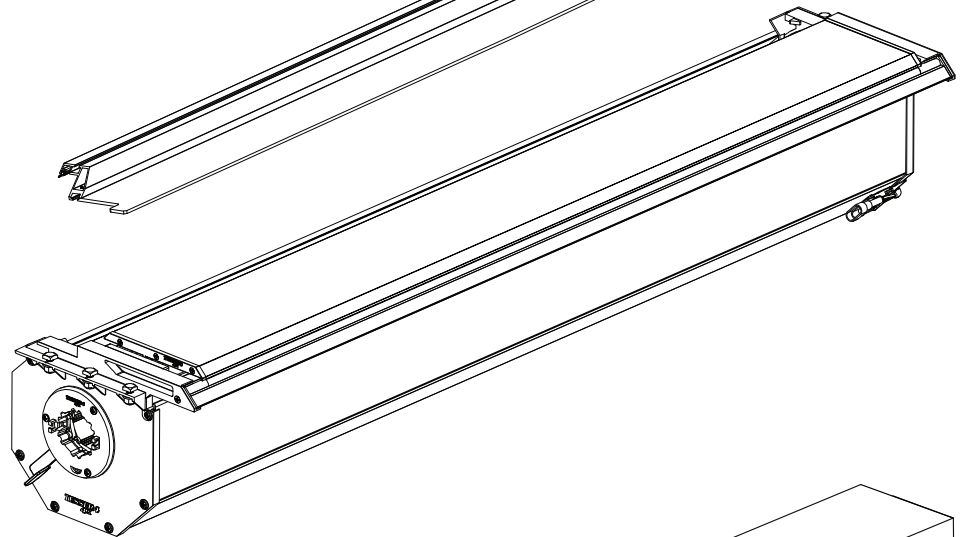
10, 12, 13, 17 mm



x1

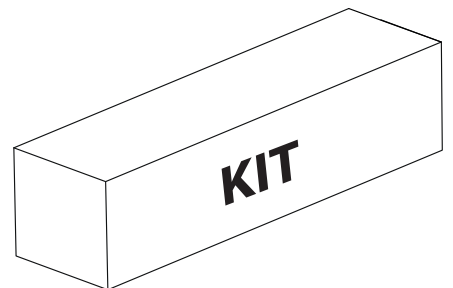


B

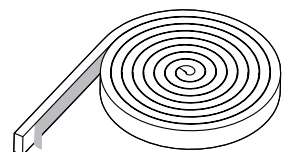


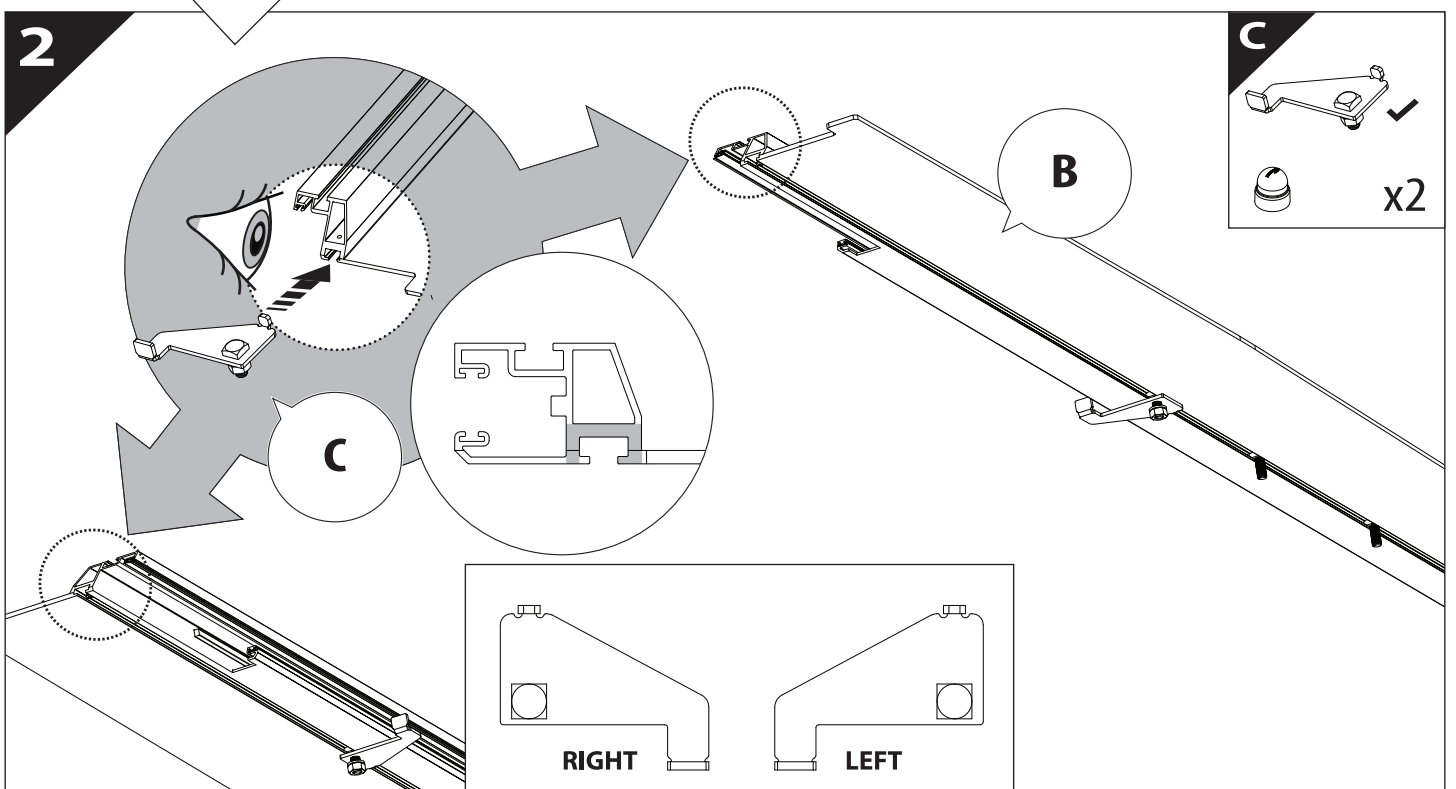
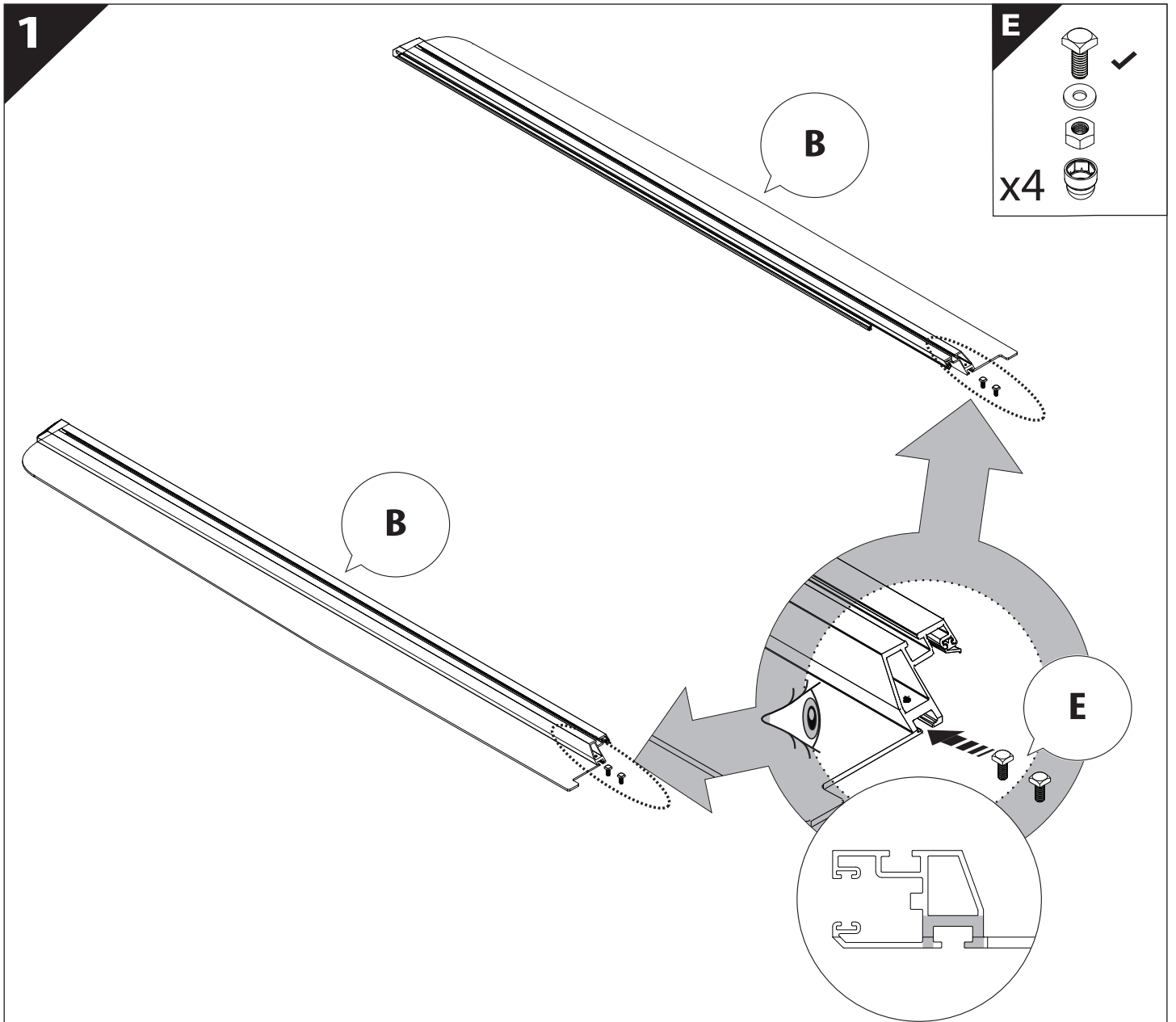
A

KITS

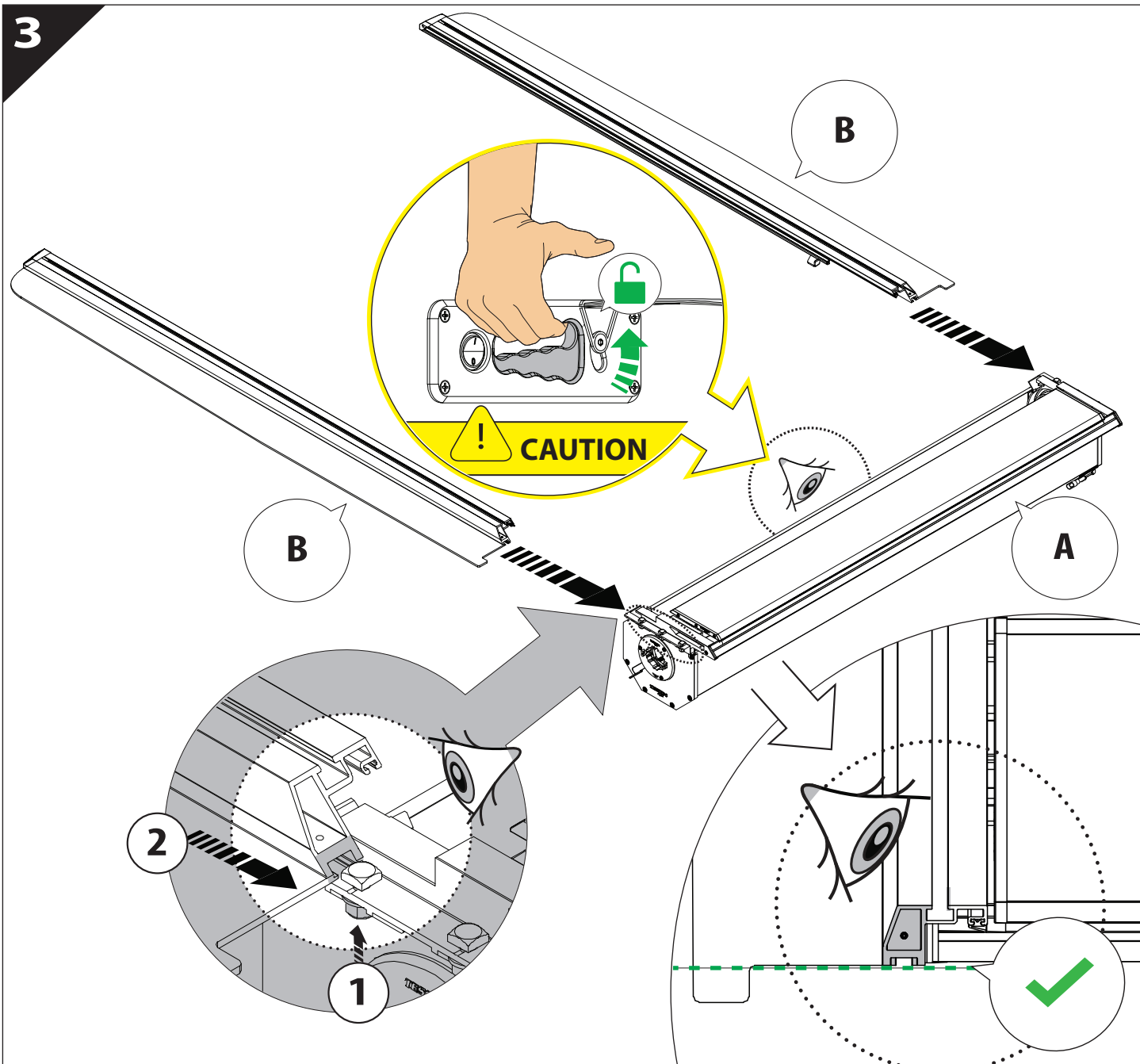


G

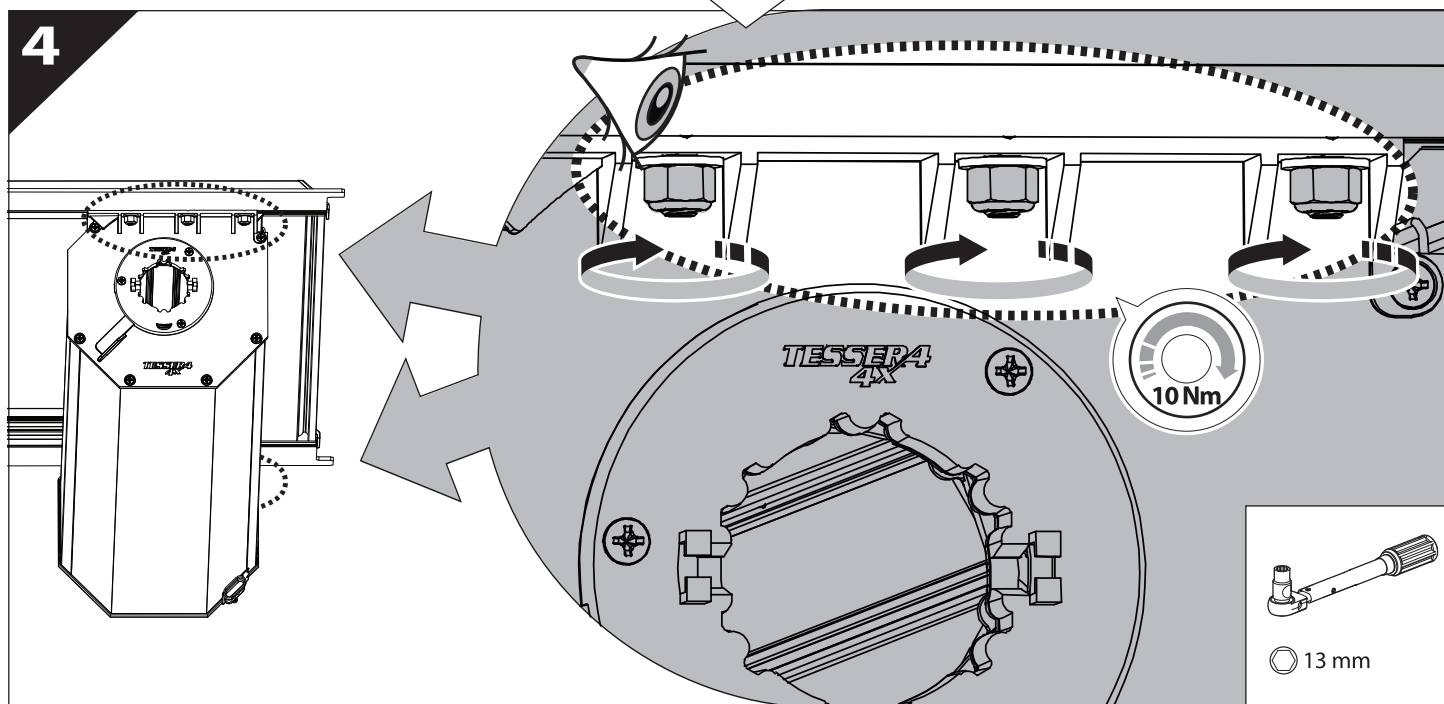


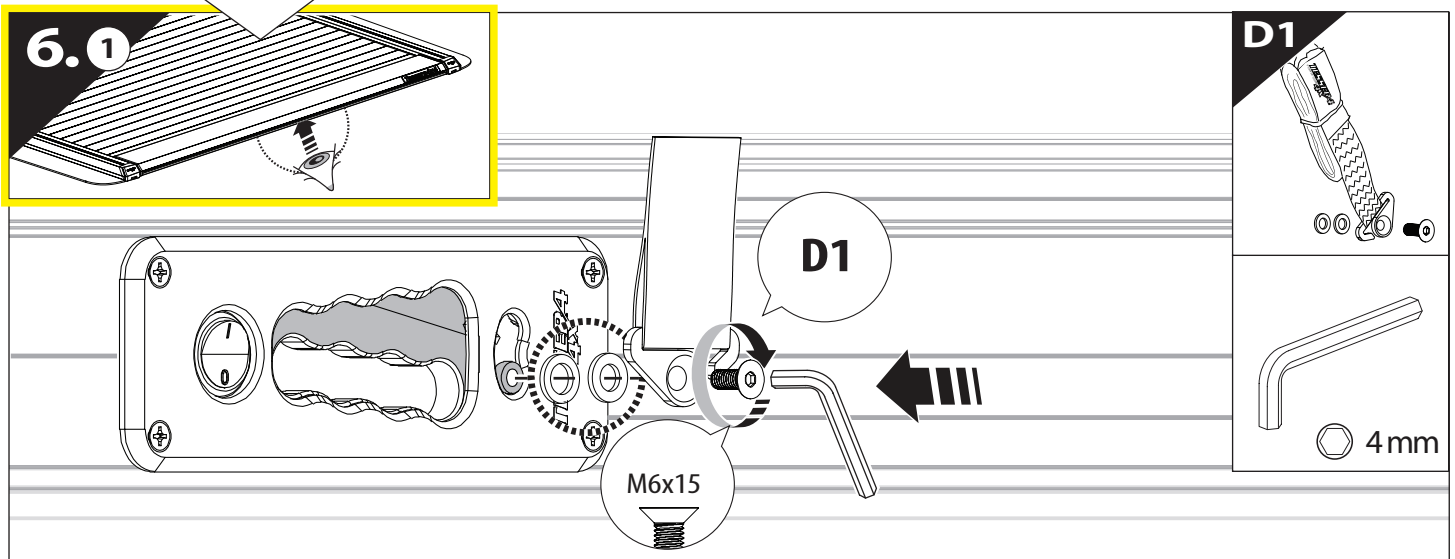
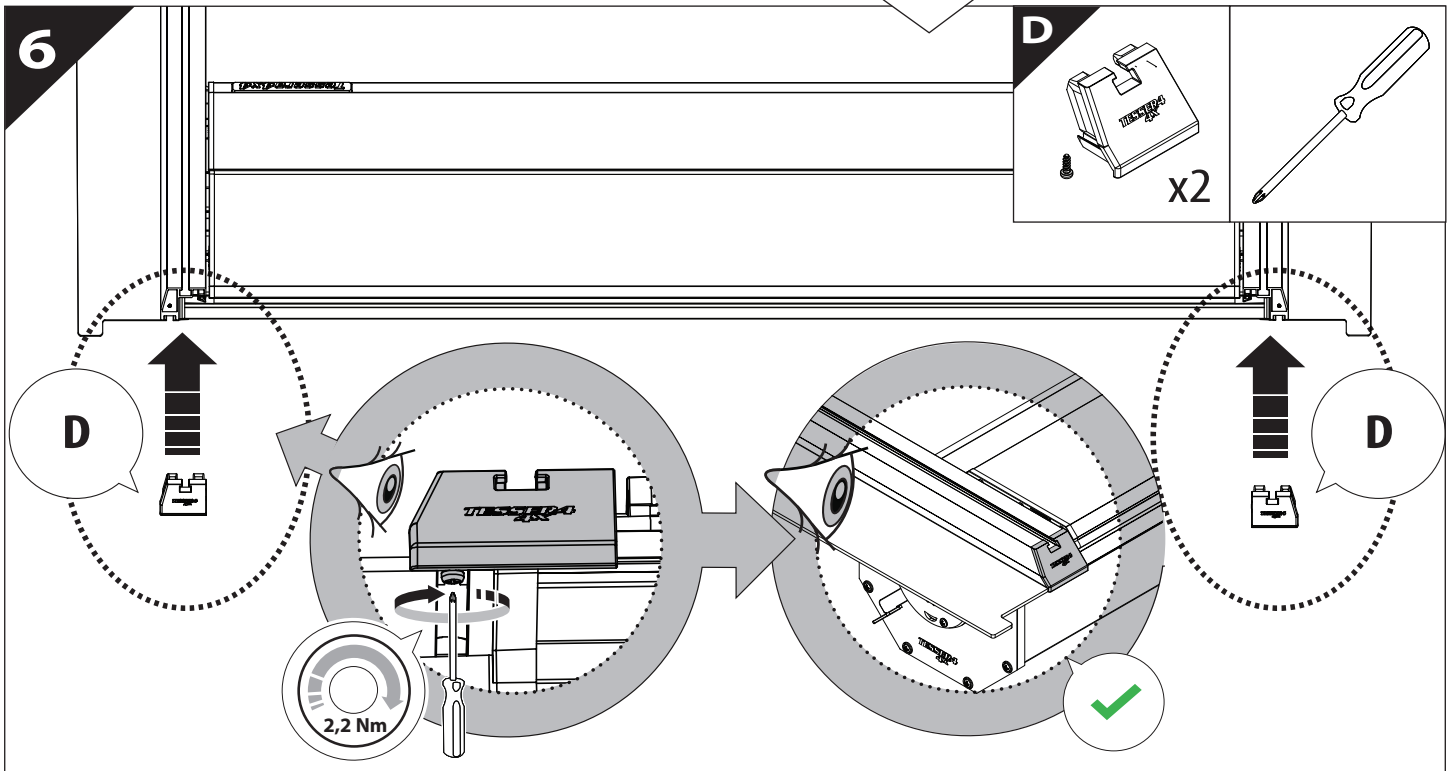
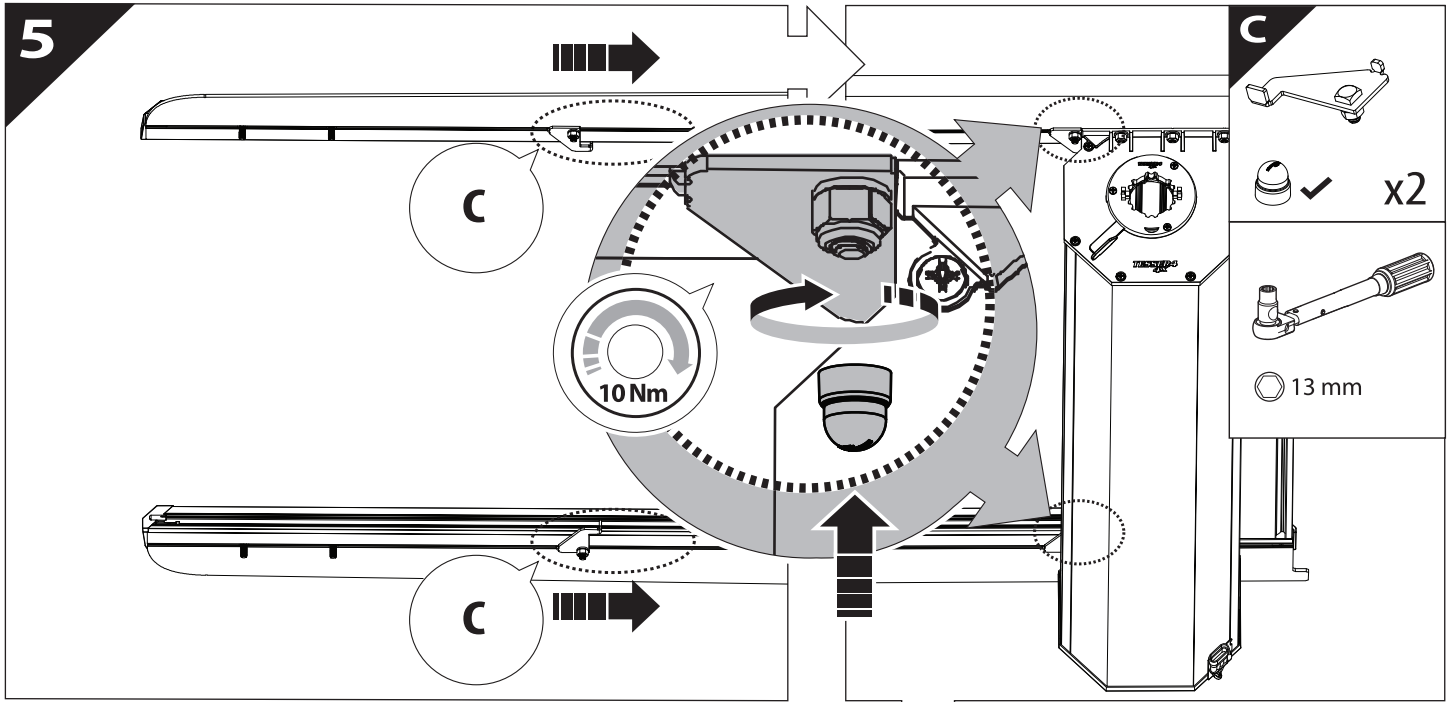


3

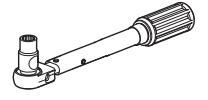
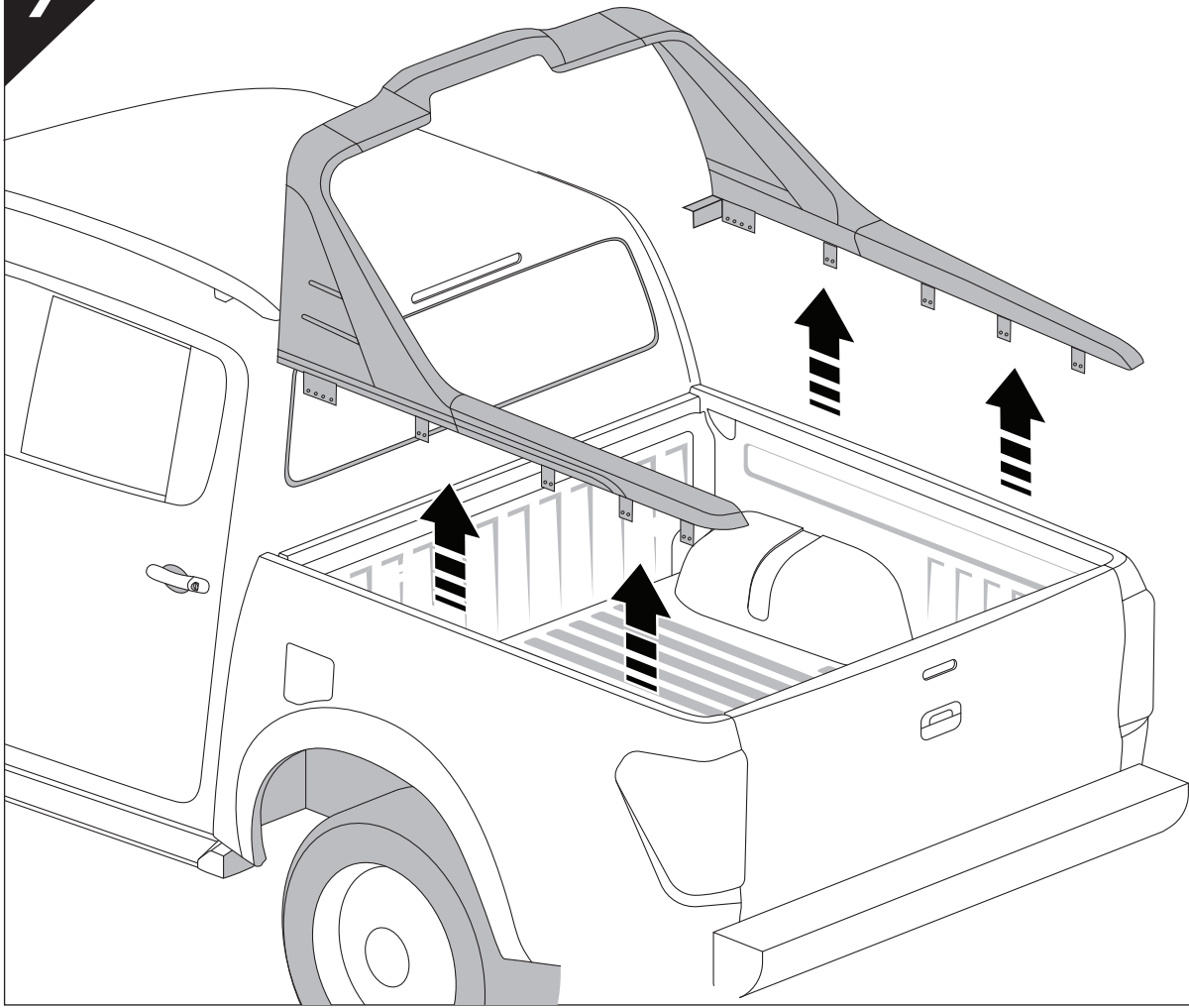


4



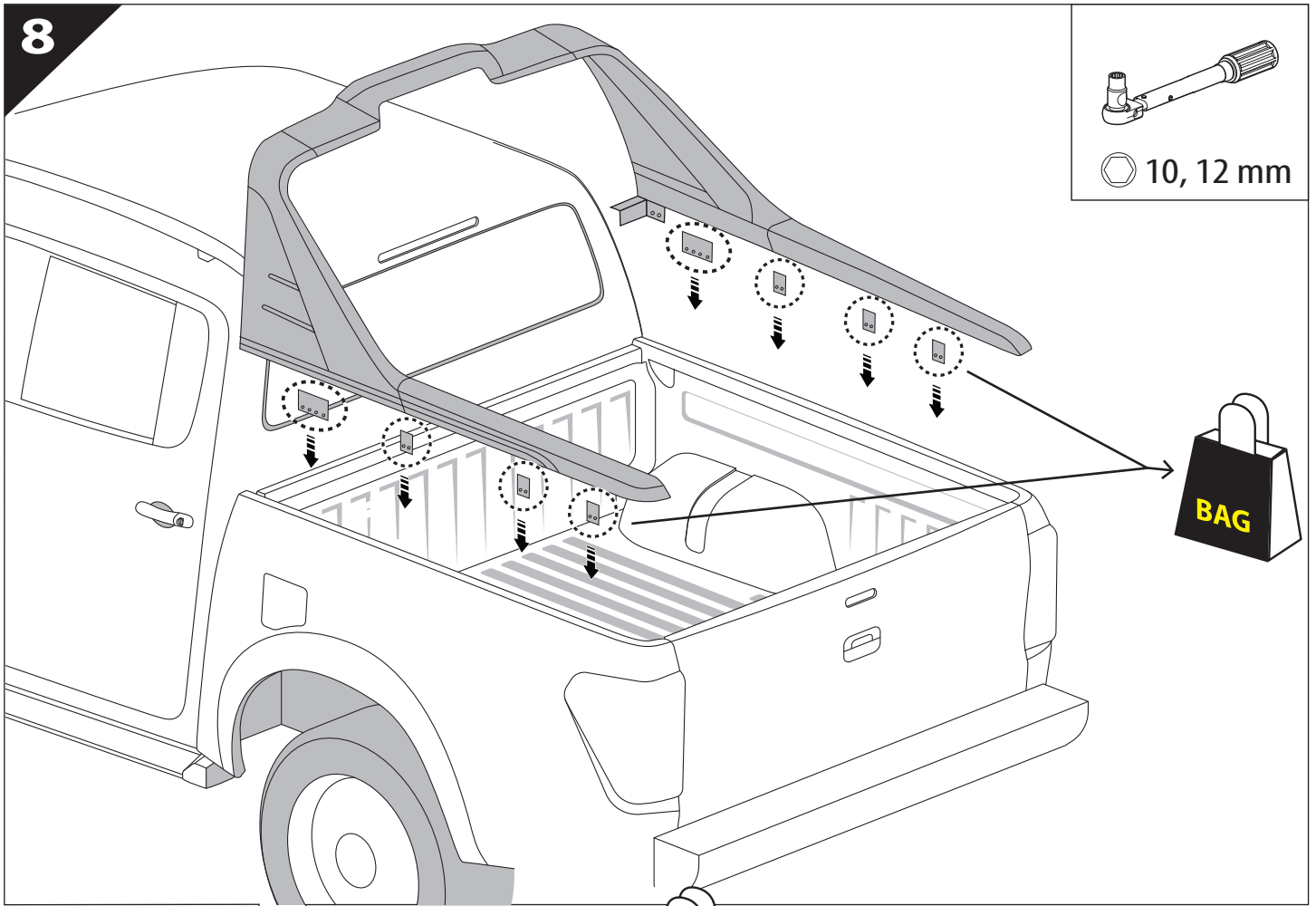


7

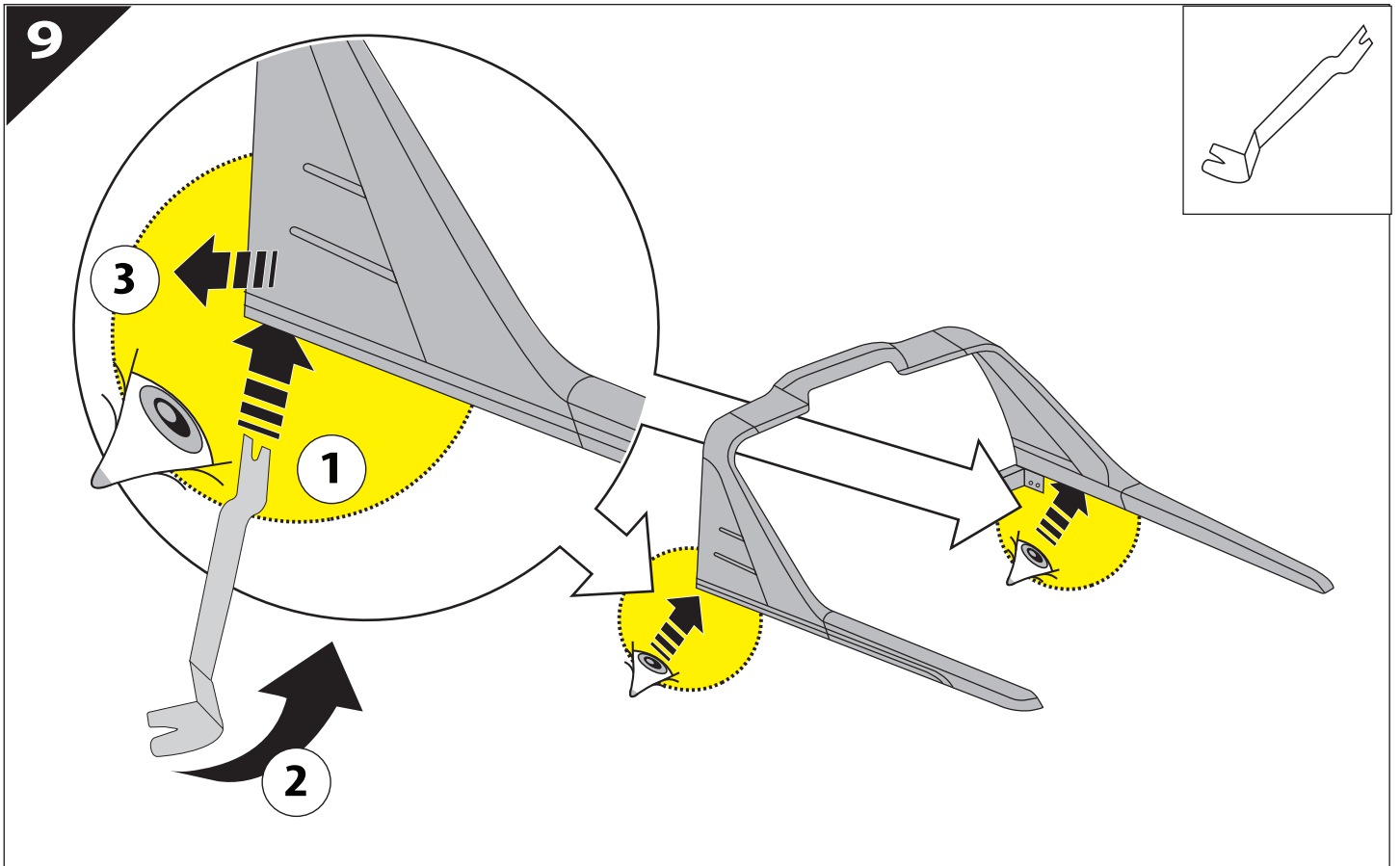


10,12 mm

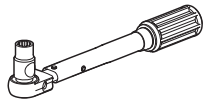
8



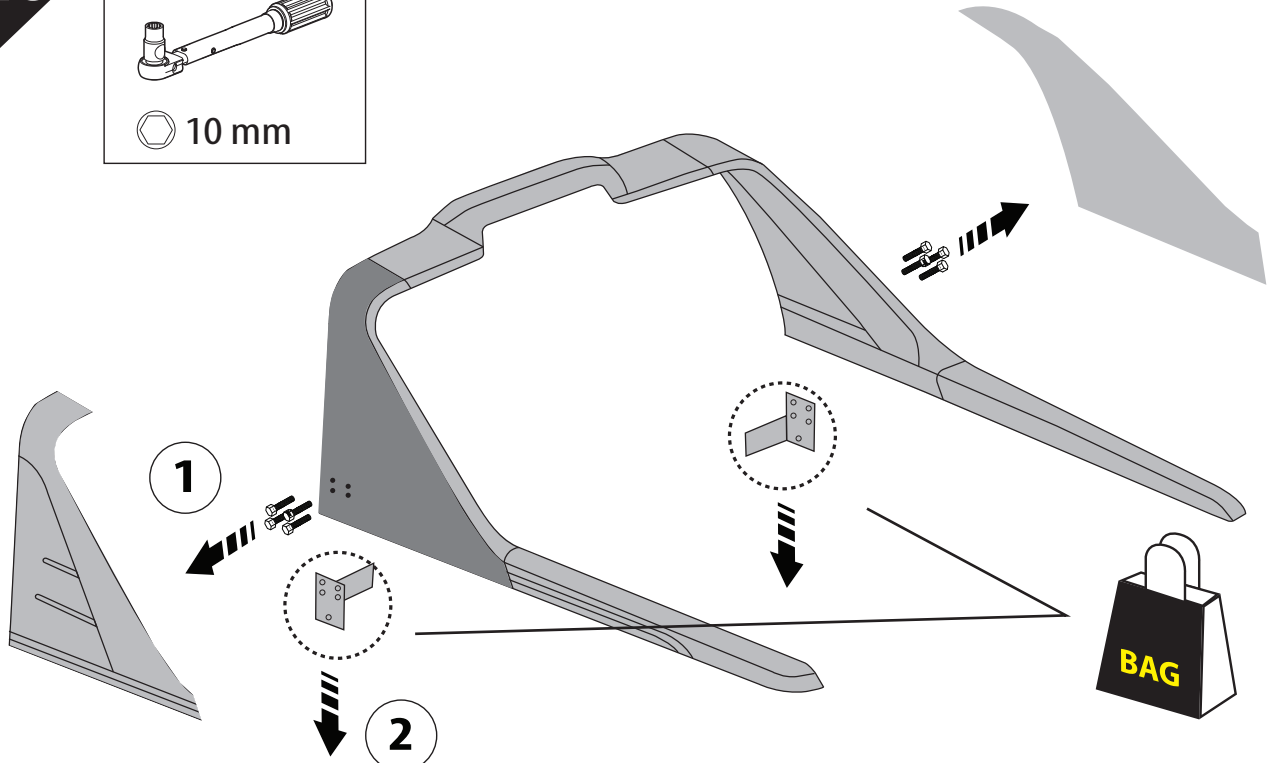
9



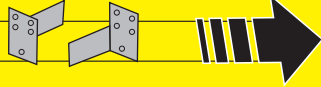
10



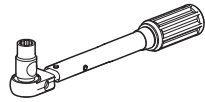
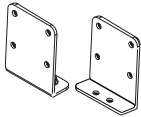
10 mm



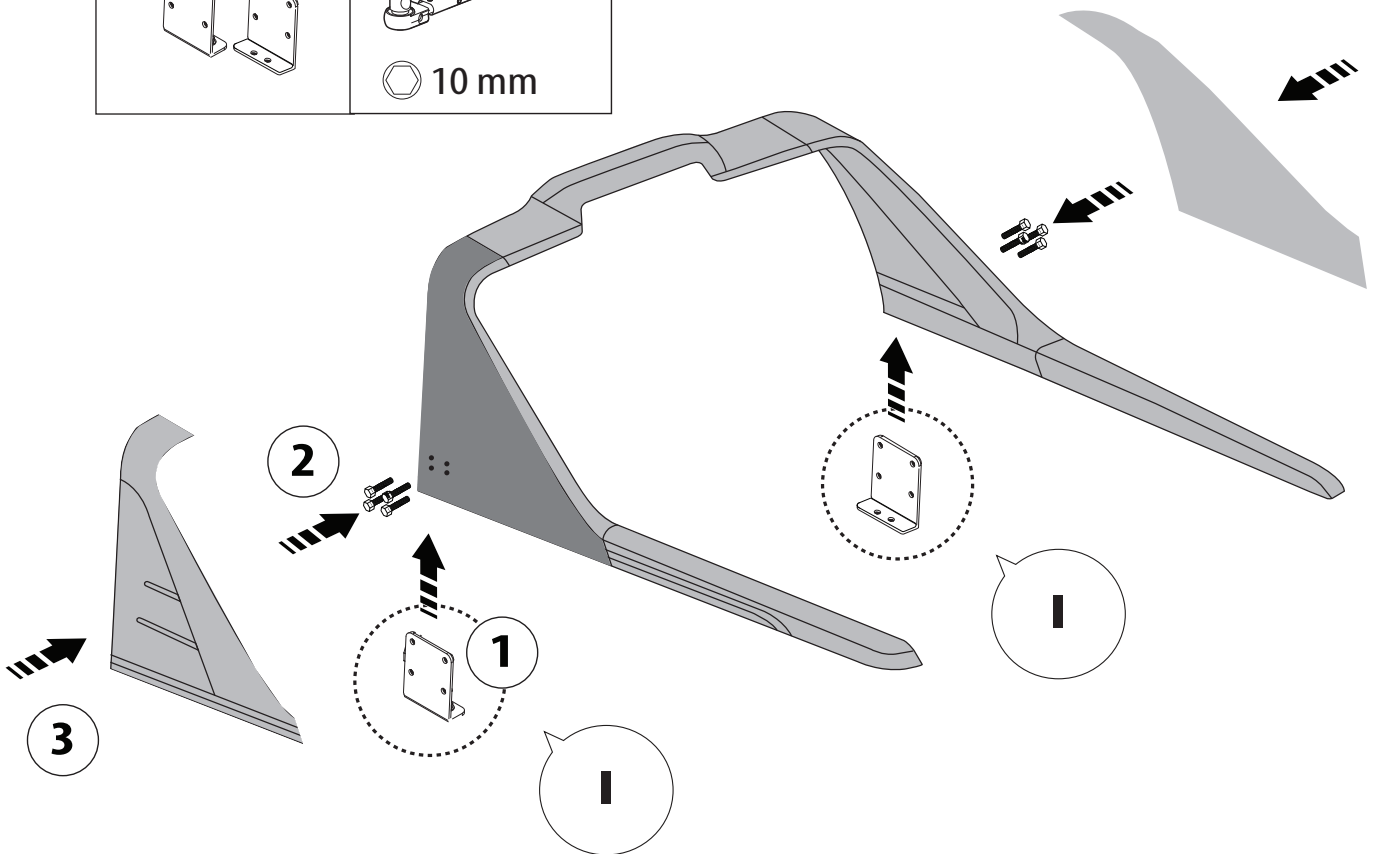
! KEEP IN SAFE PLACE



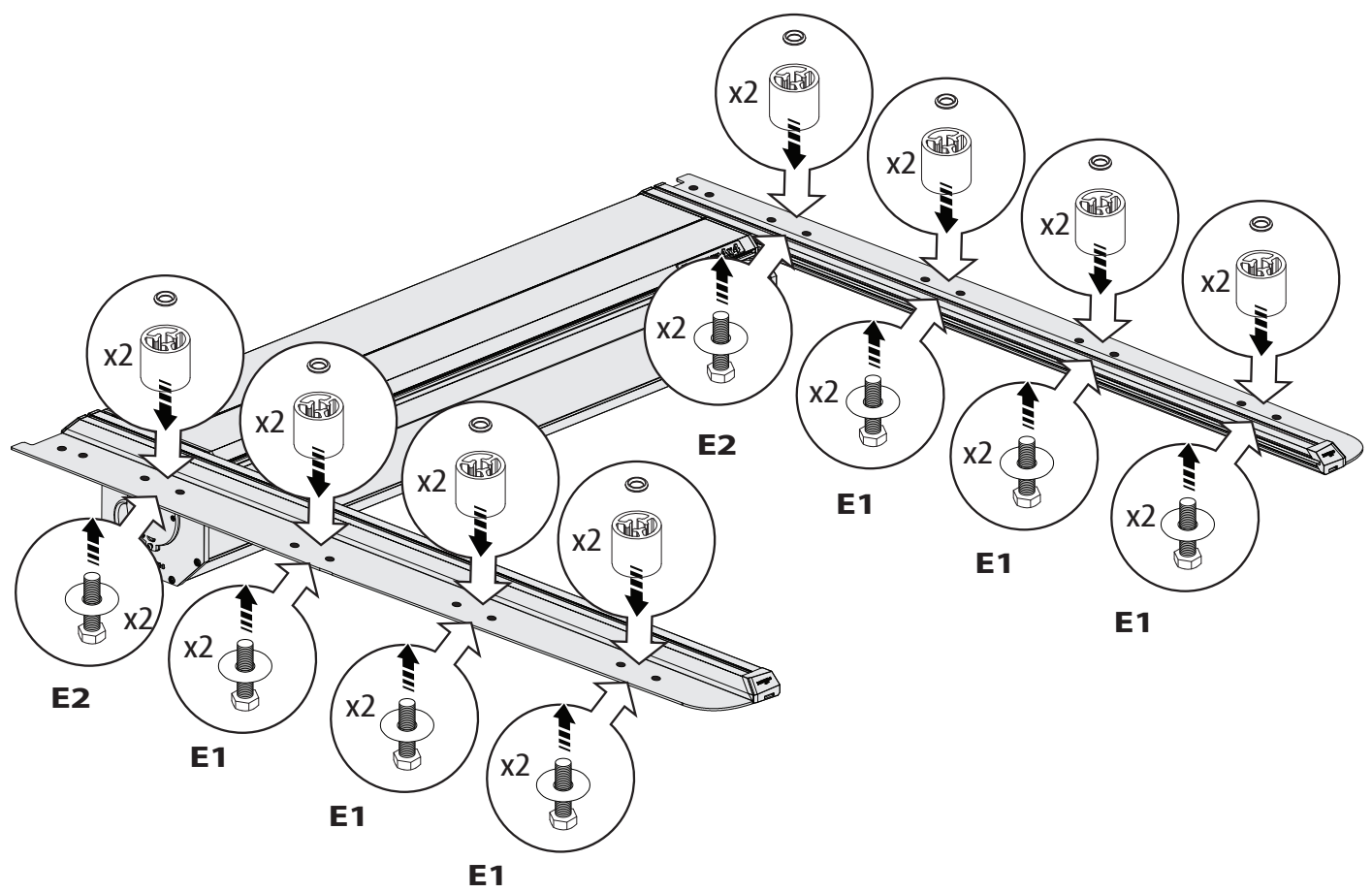
11



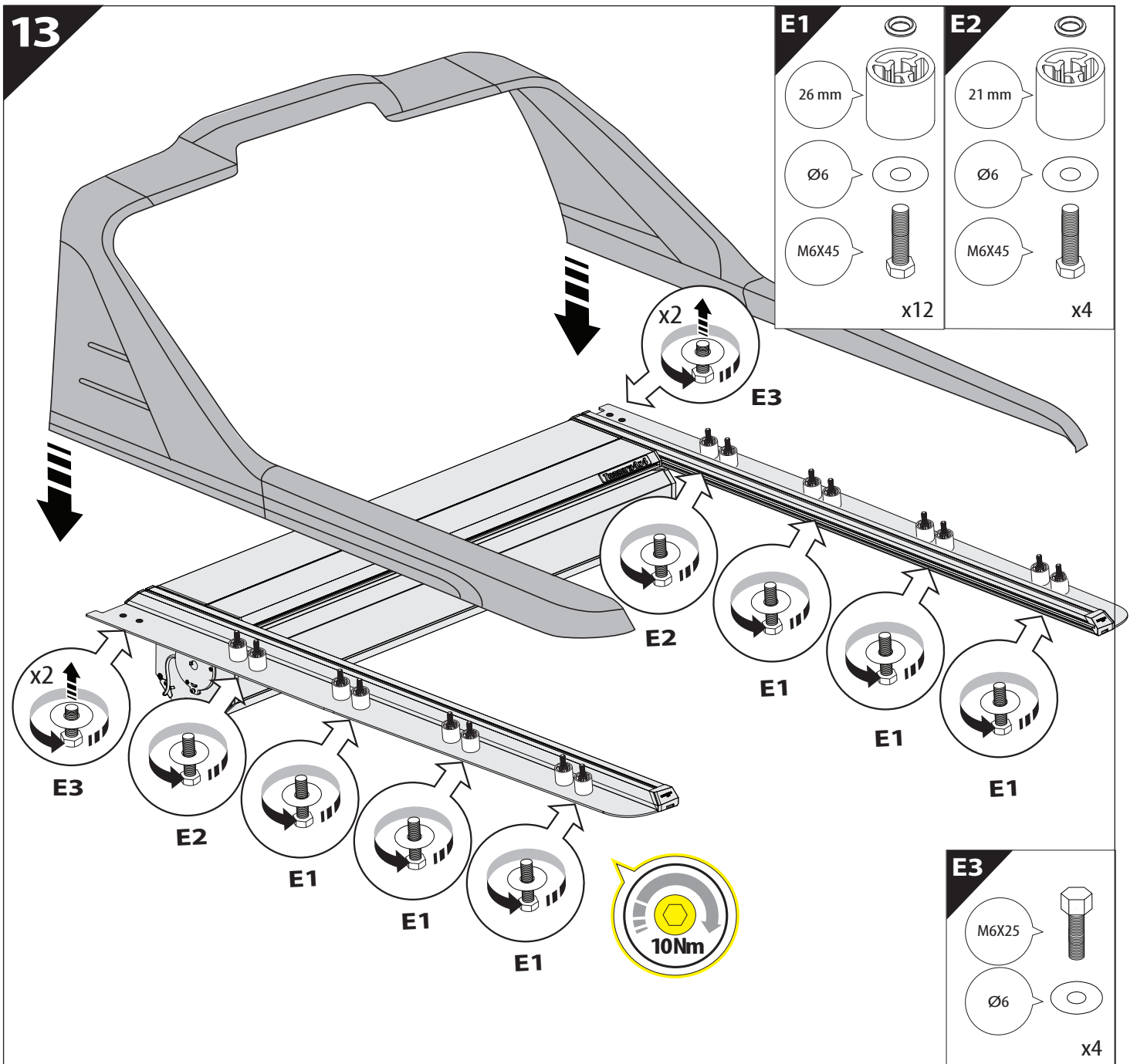
10 mm



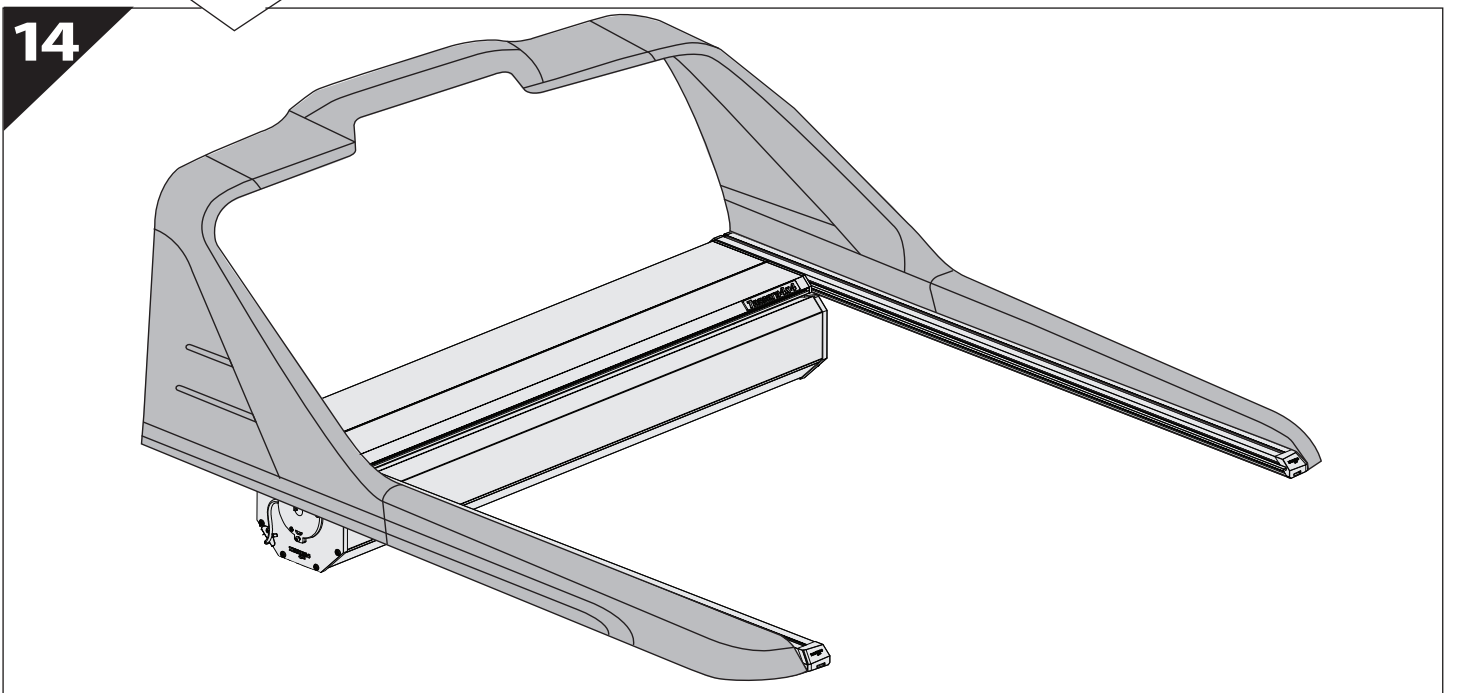
E1	E2
26 mm	21 mm
Ø6	Ø6
M6X45	M6X45
x12	x4



13

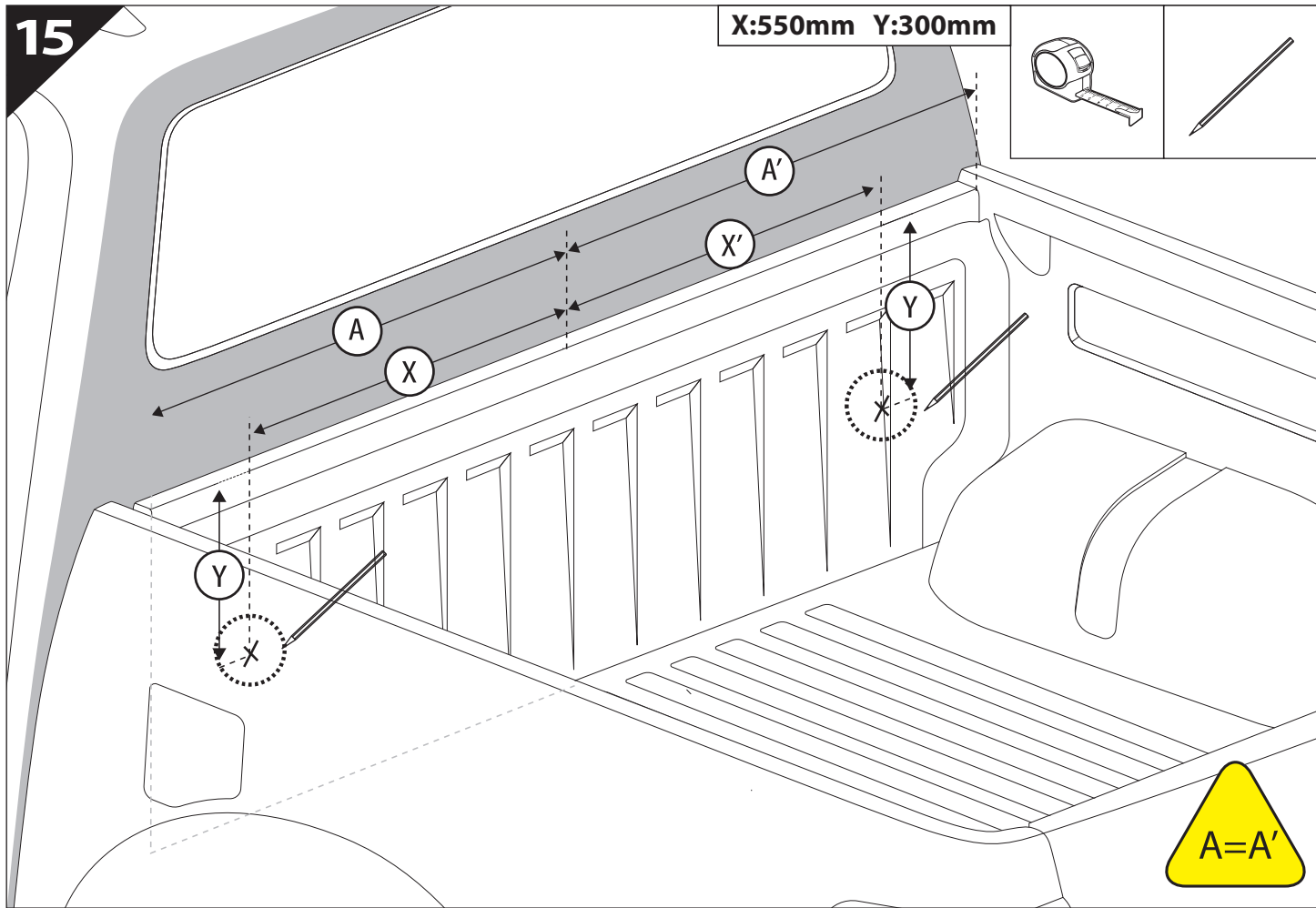
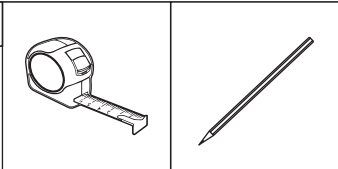


14



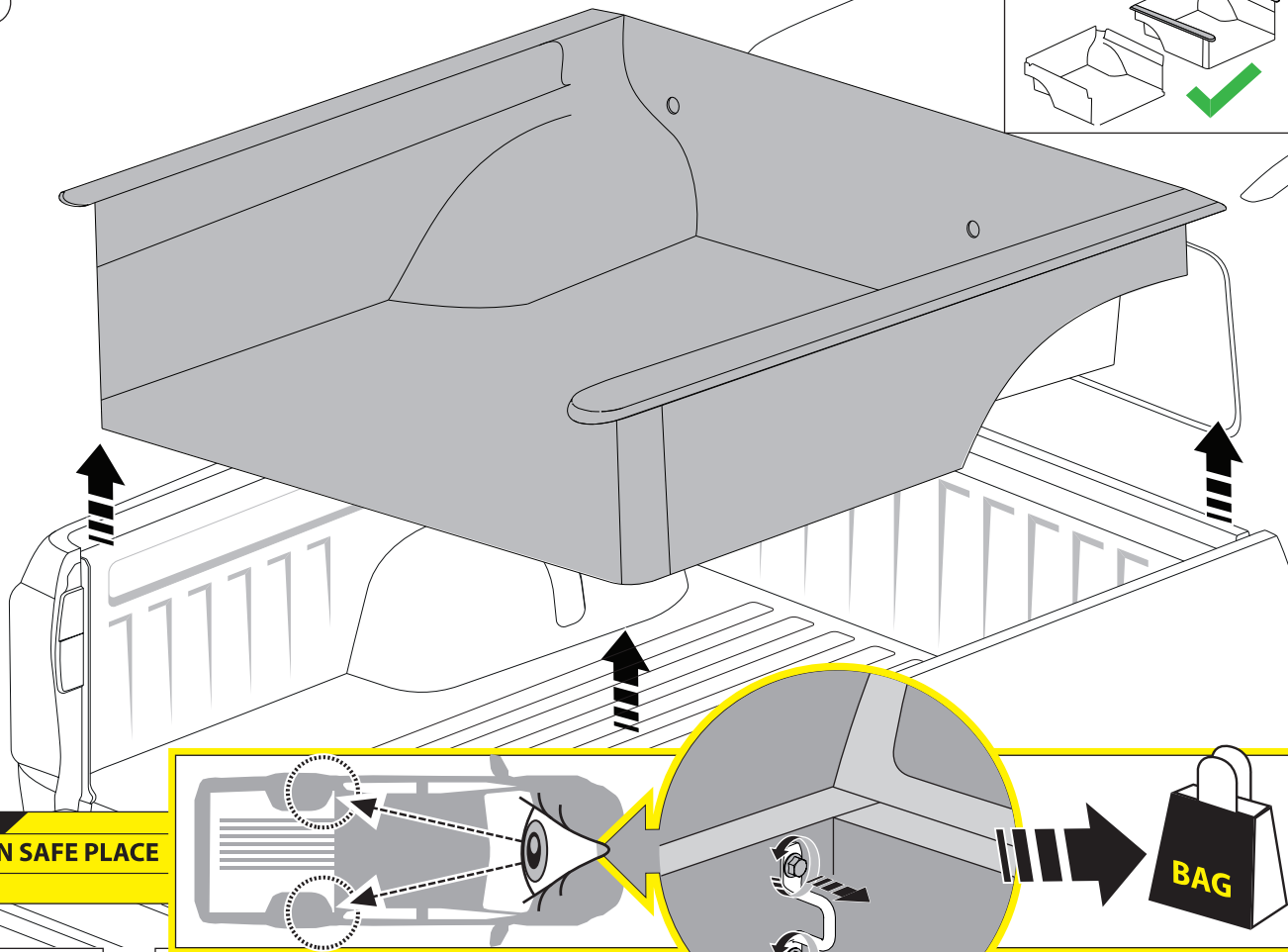
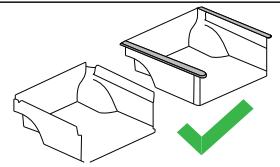
15

X:550mm Y:300mm

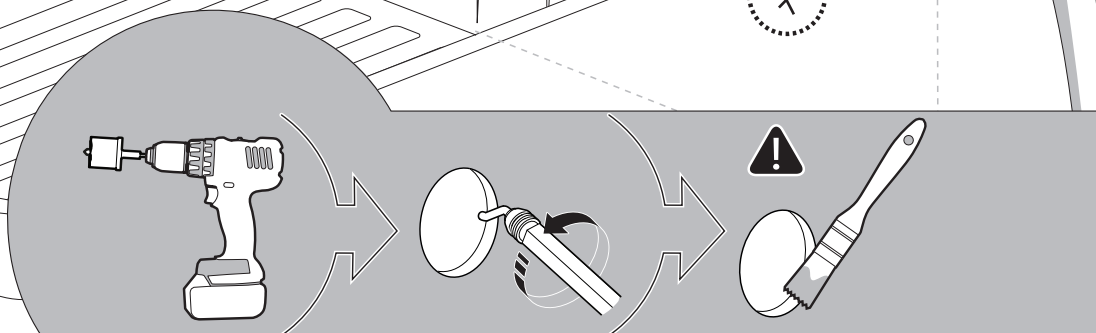
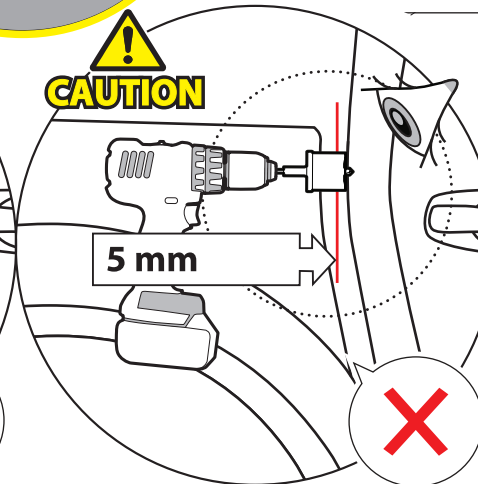
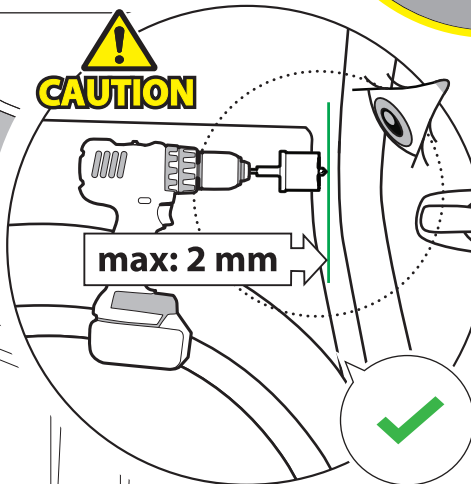
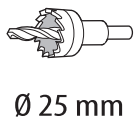
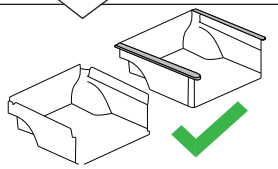


A=A'

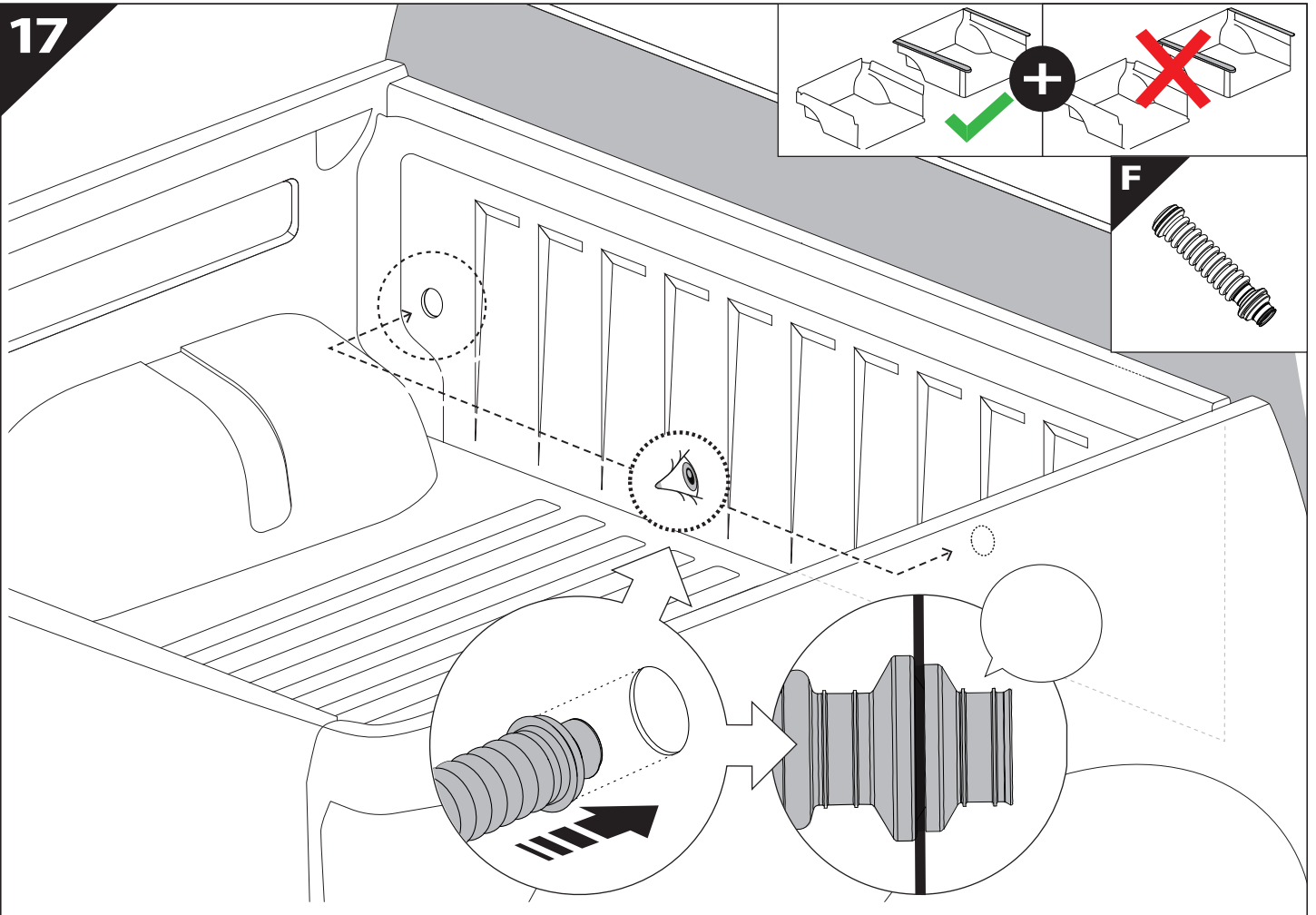
16.2



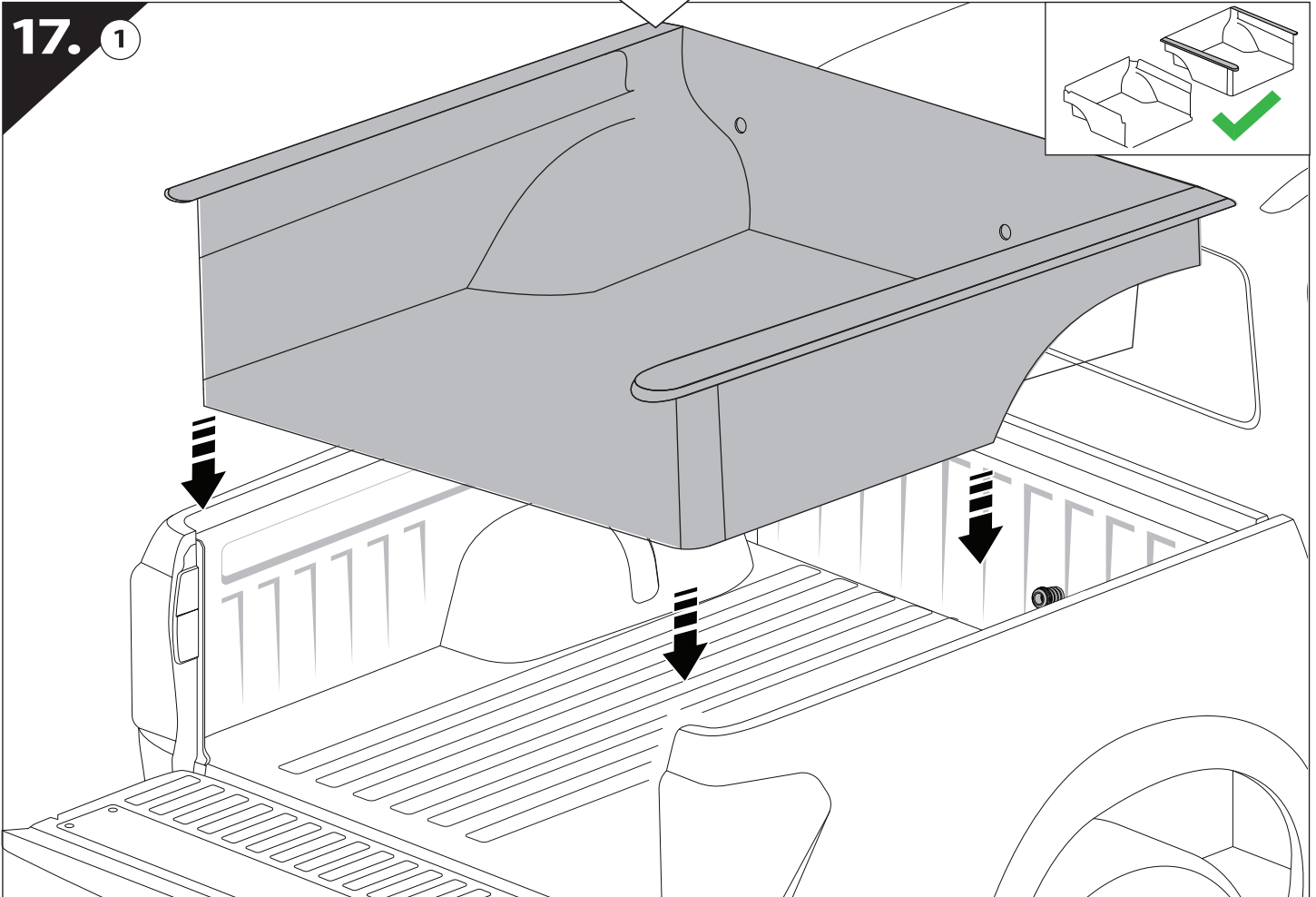
16.3



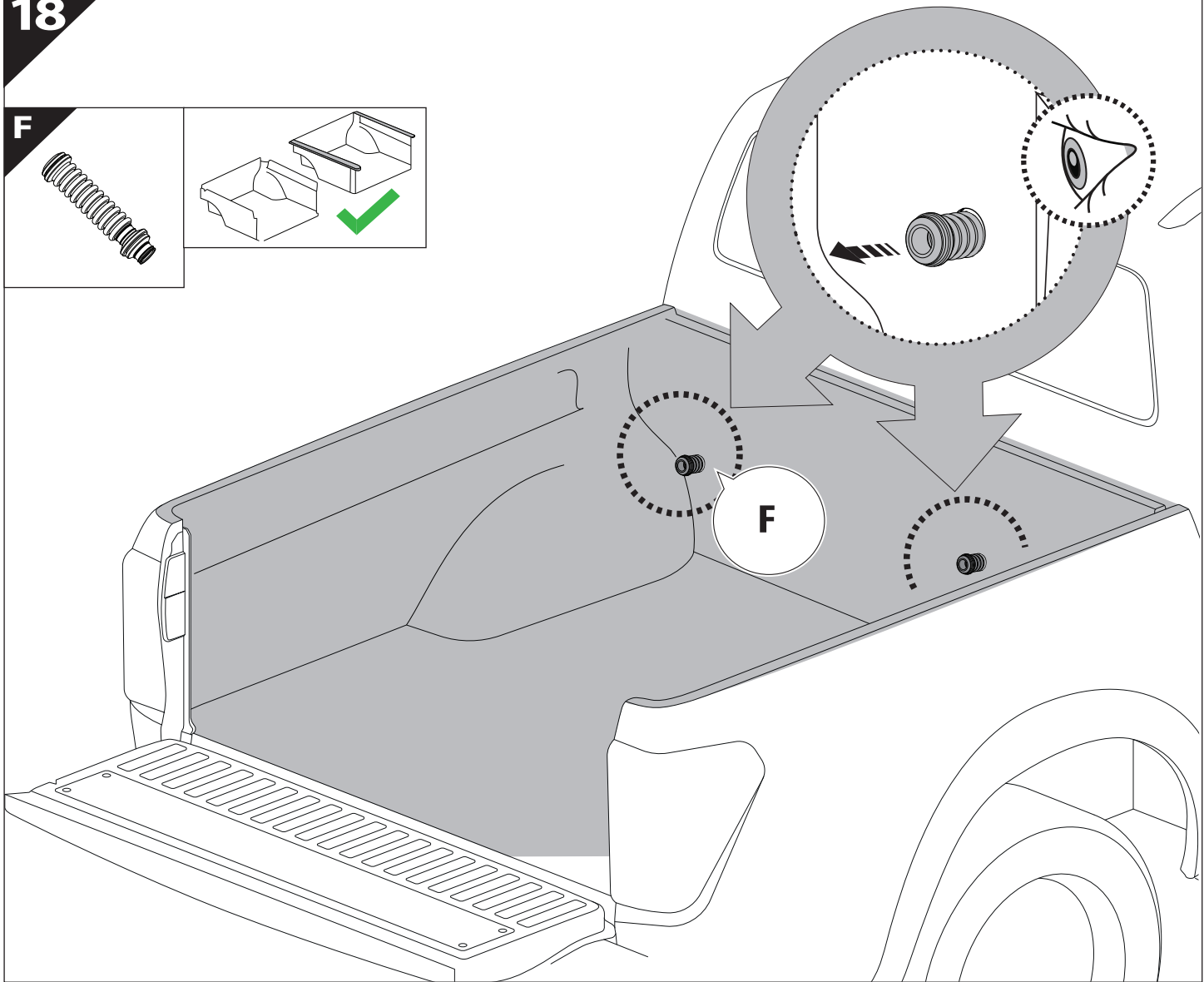
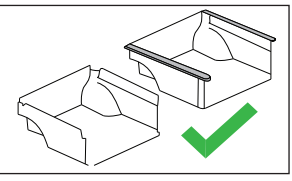
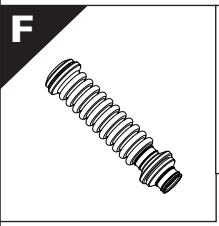
17



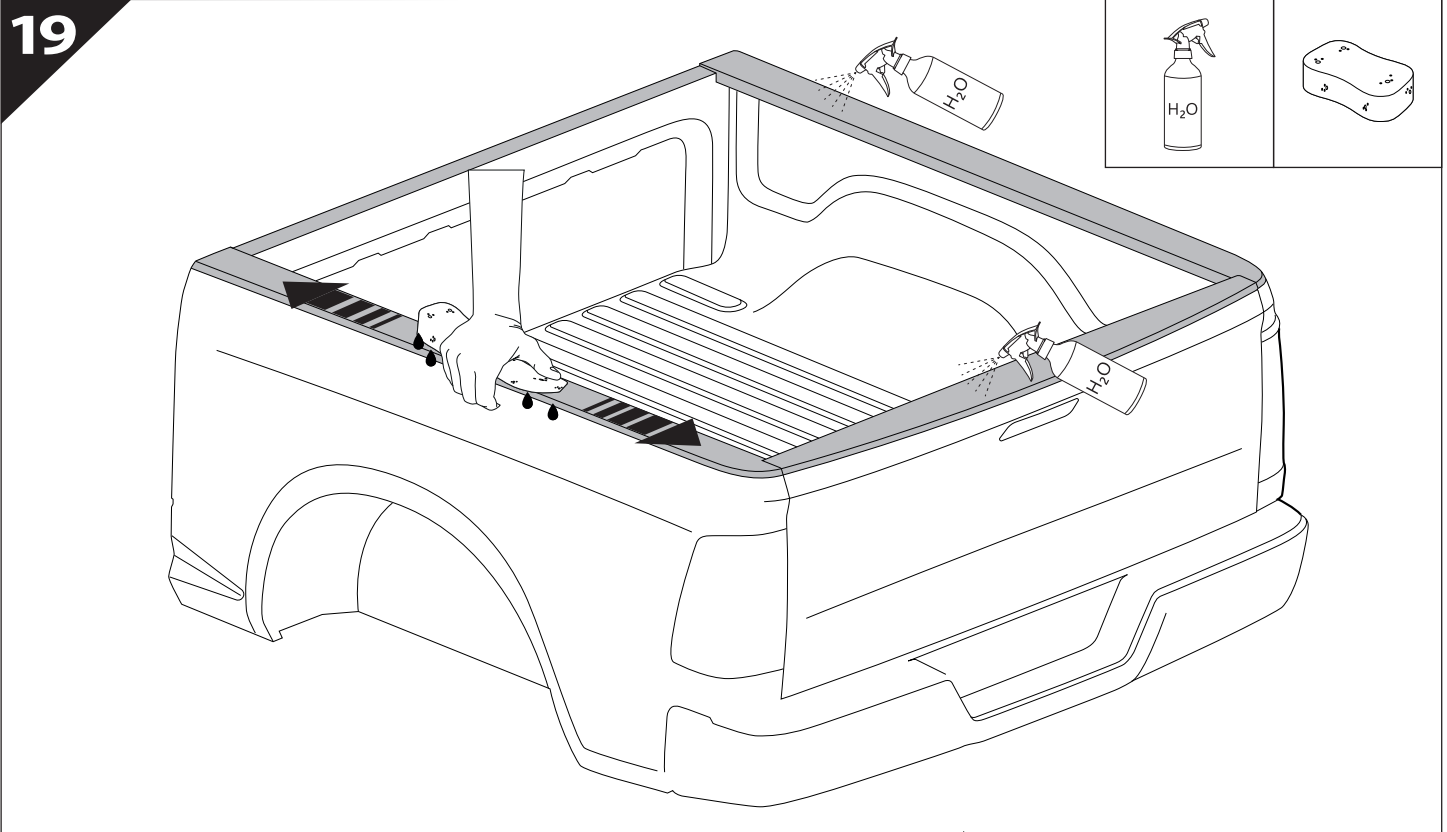
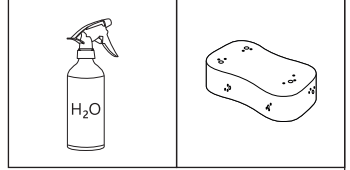
17. ①

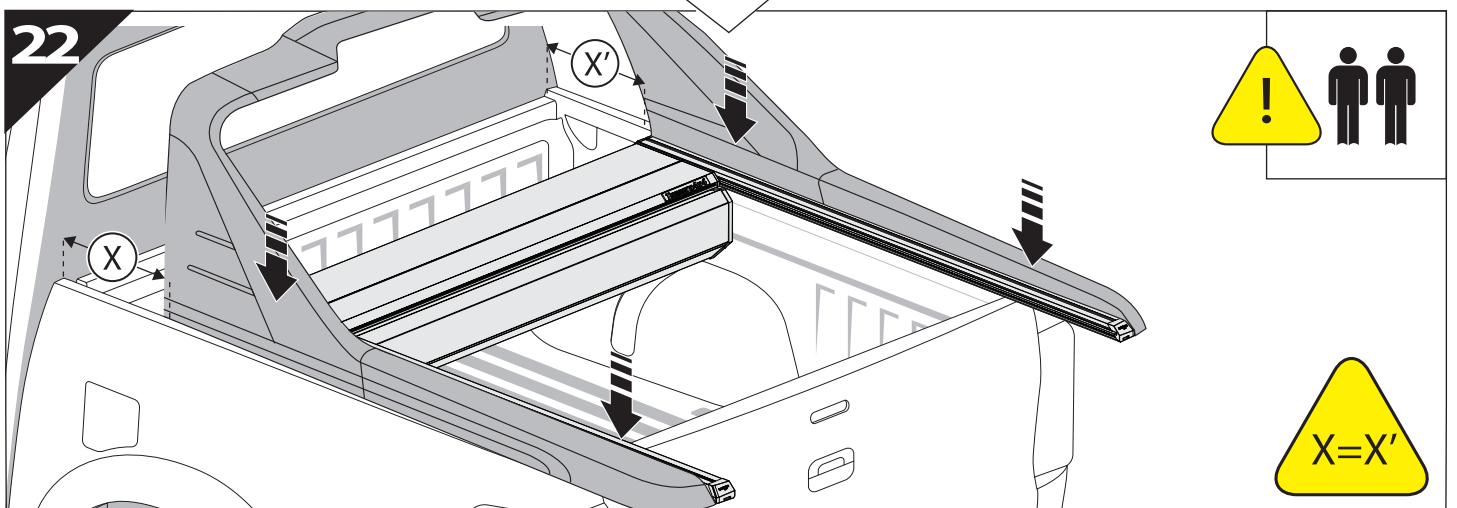
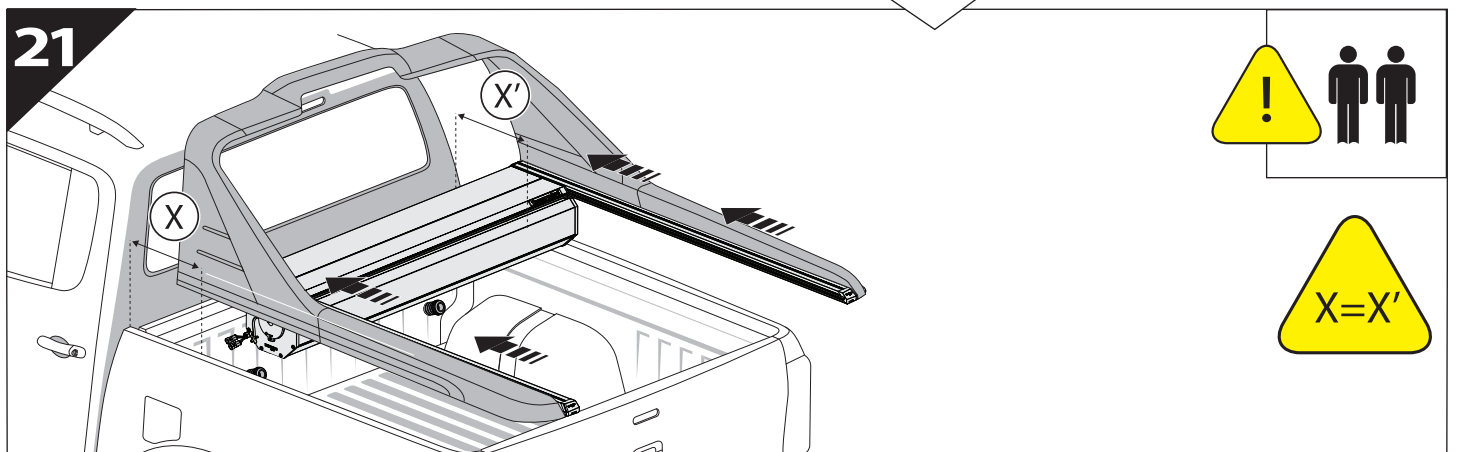
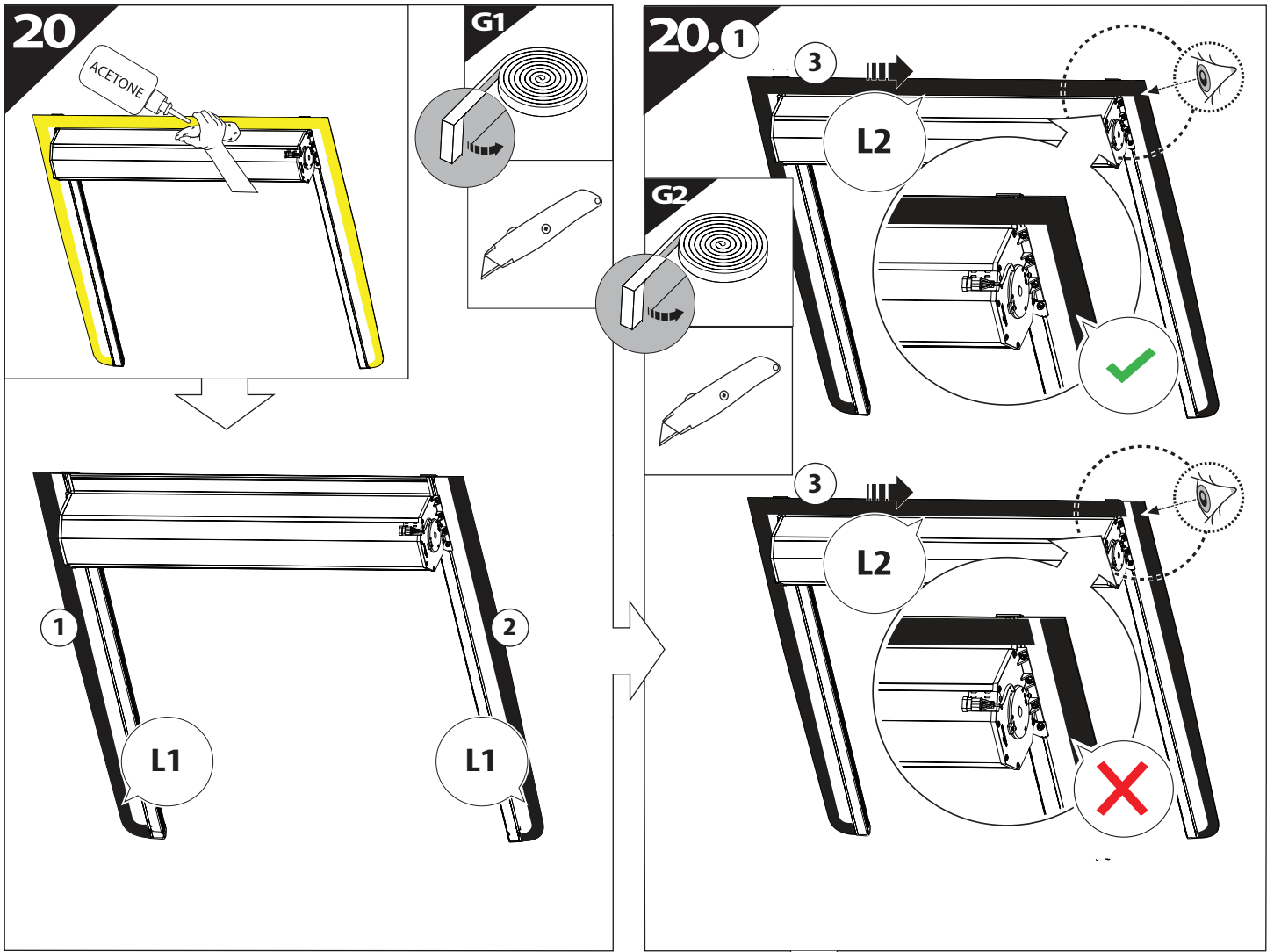


18



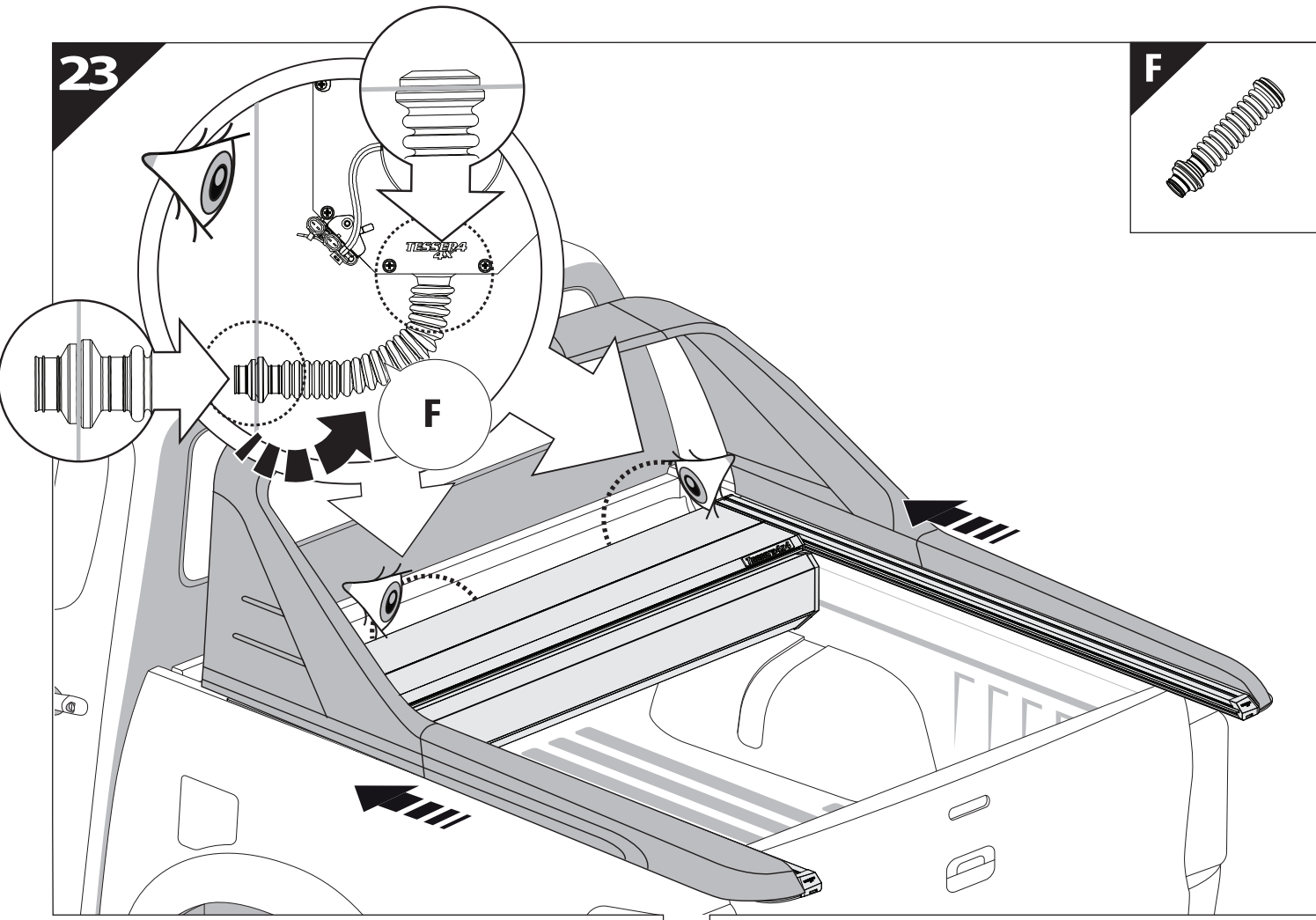
19



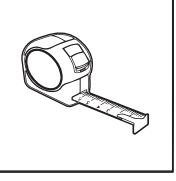
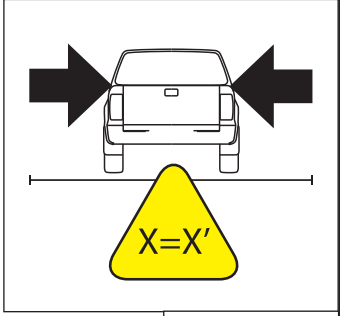
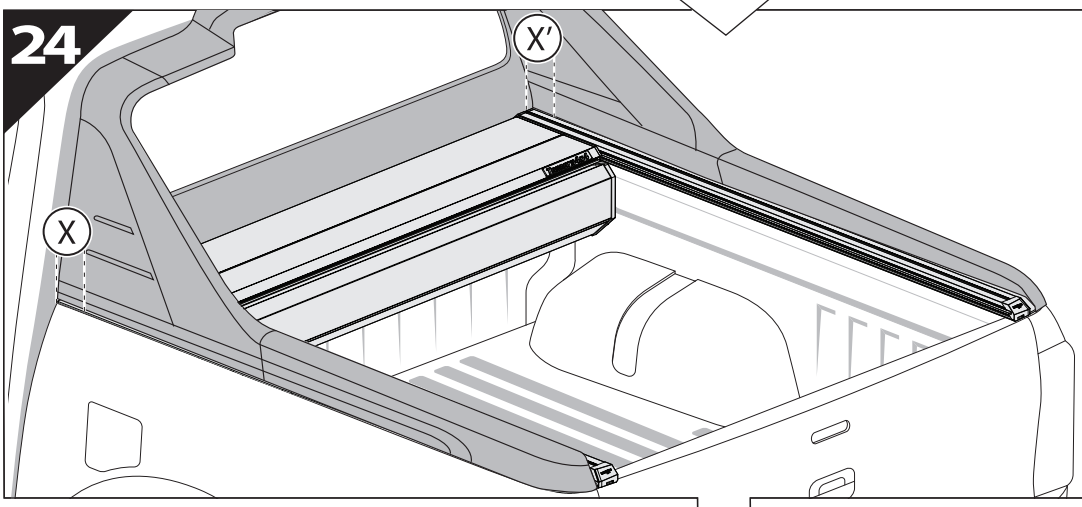


23

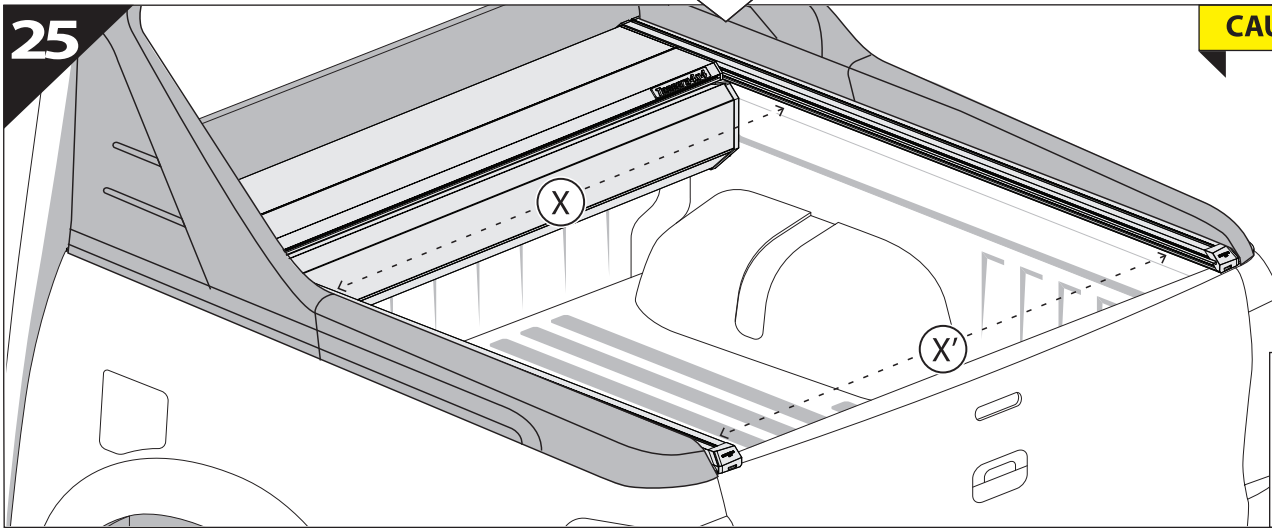
F



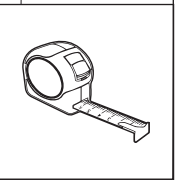
24



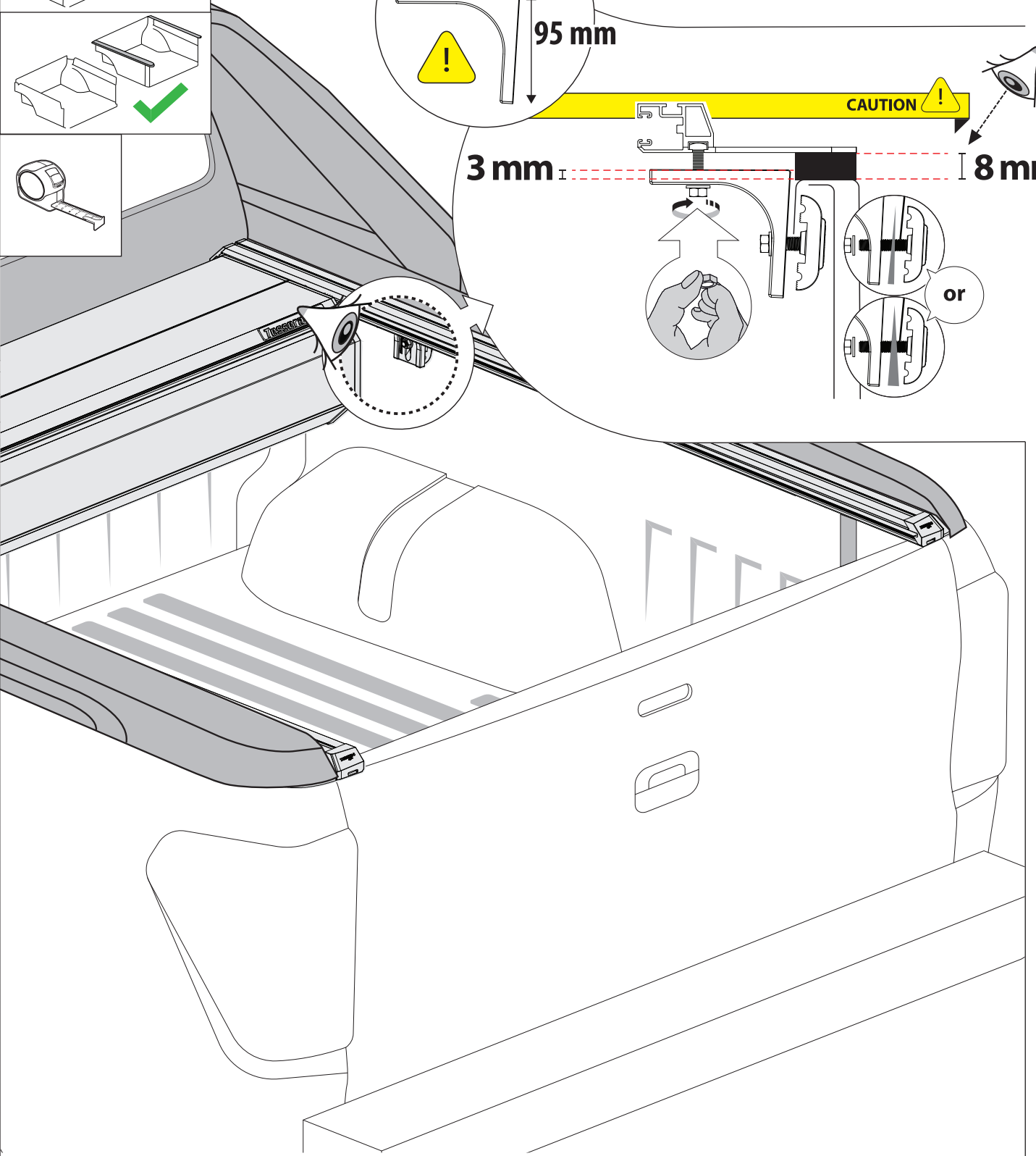
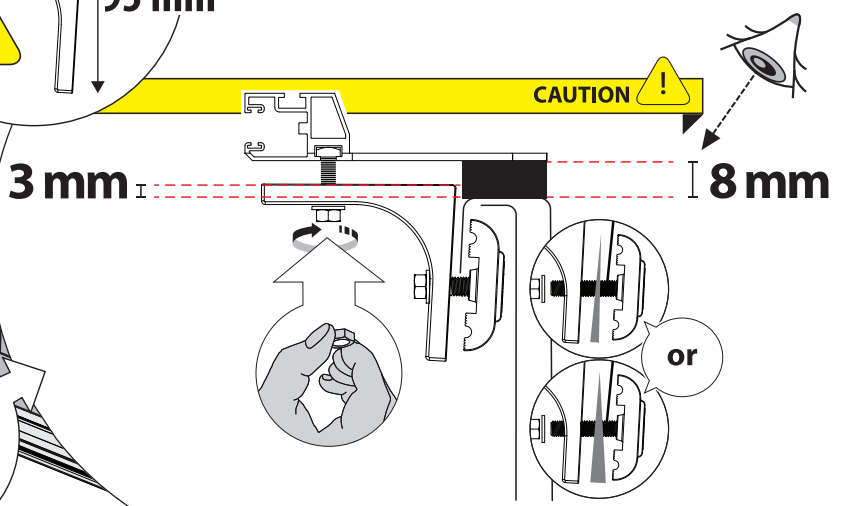
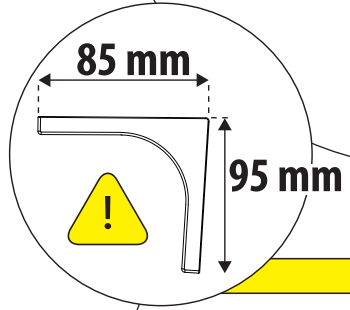
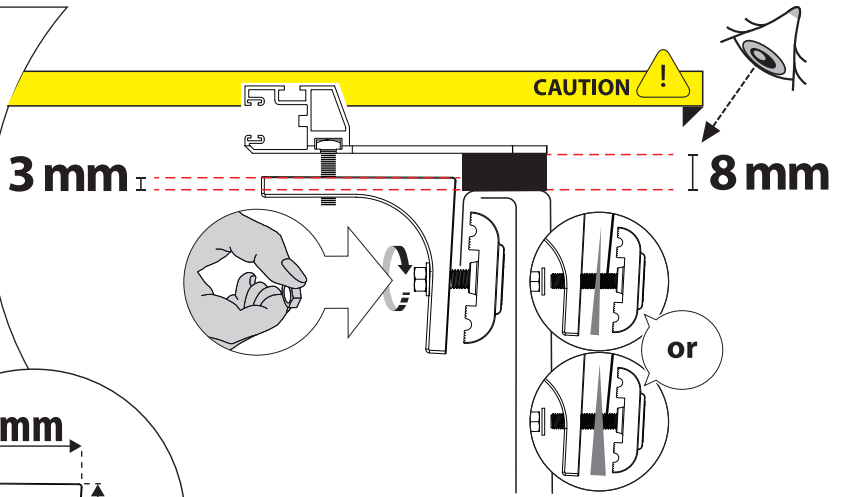
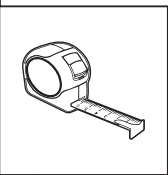
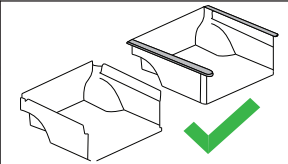
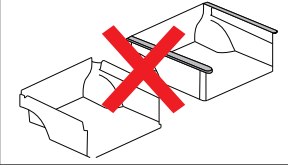
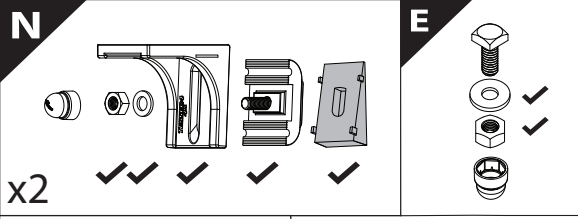
25

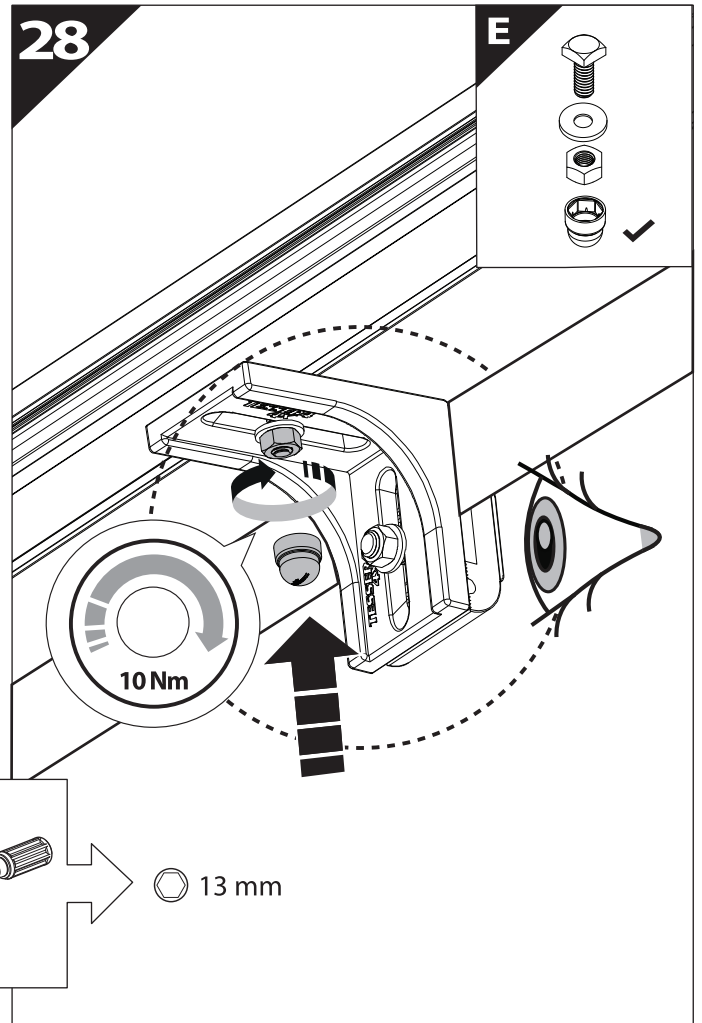
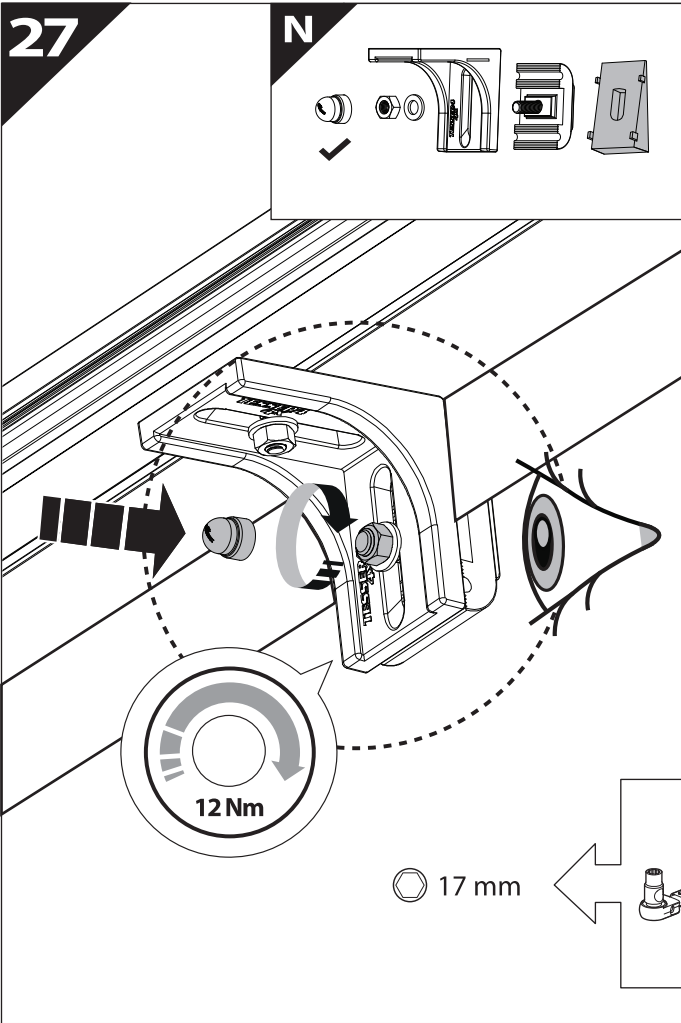


CAUTION !

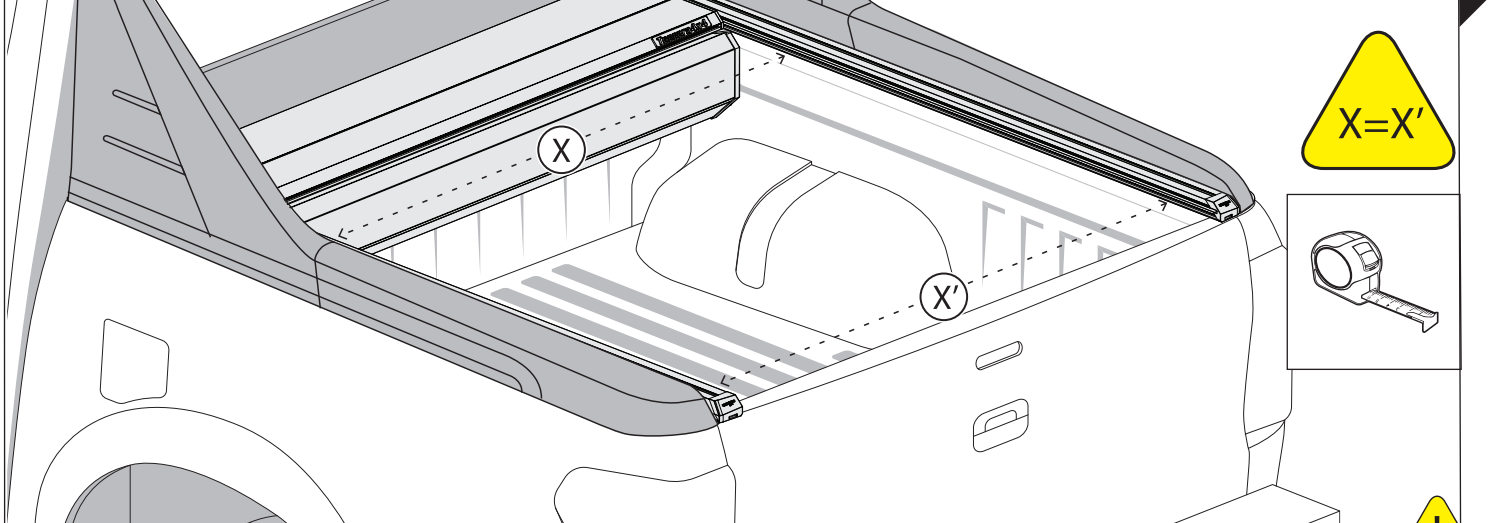


26

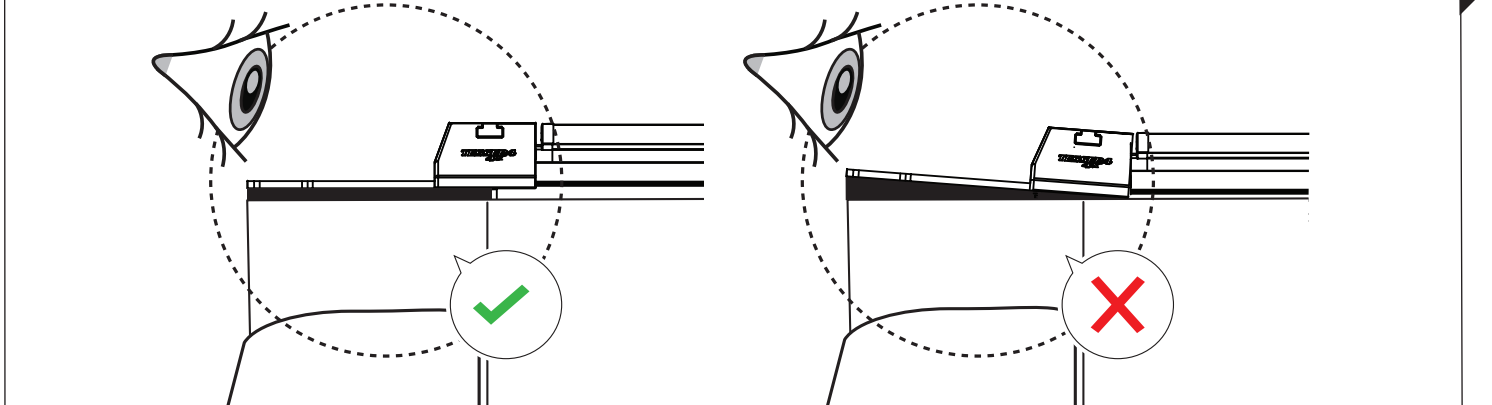




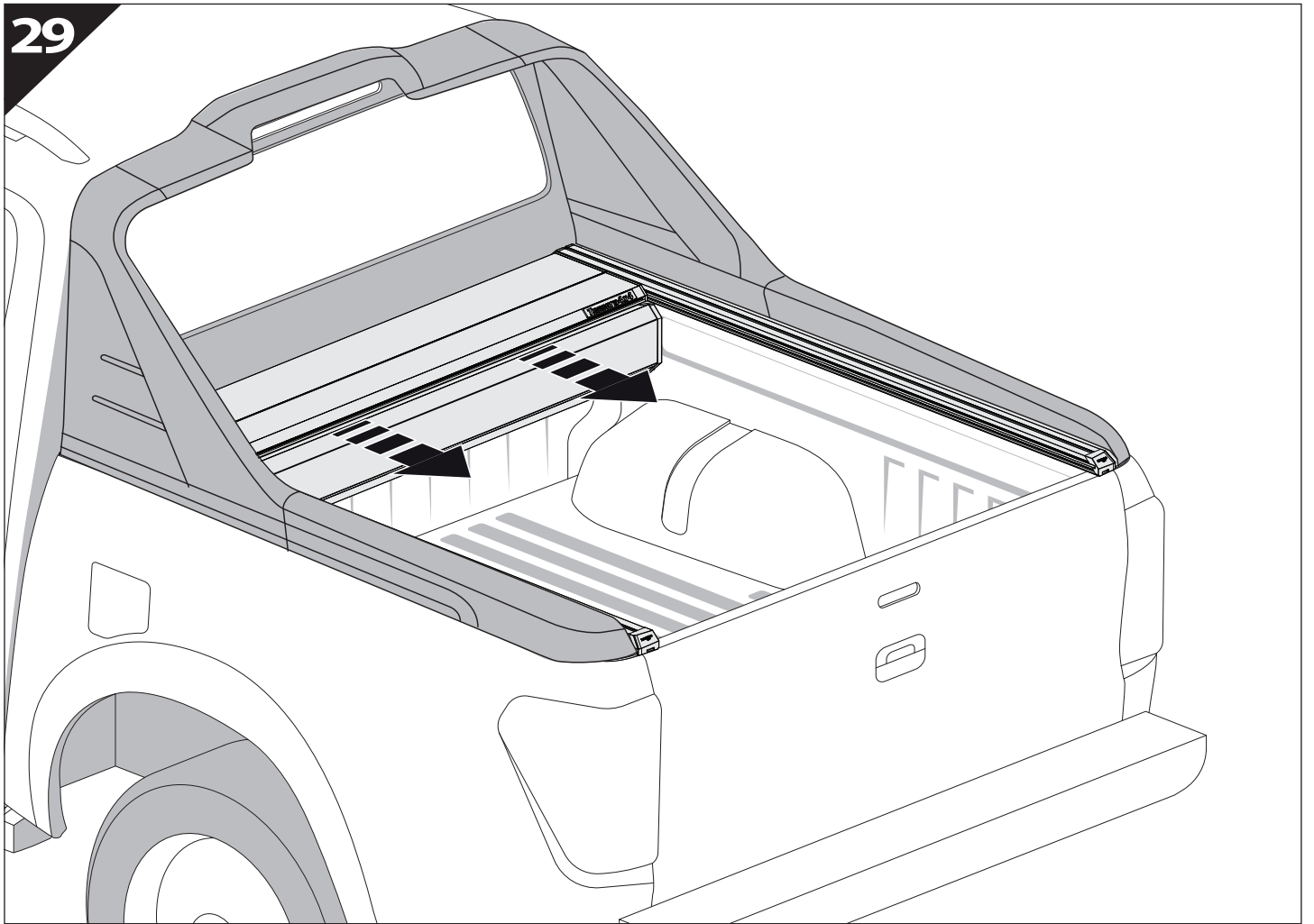
CAUTION !



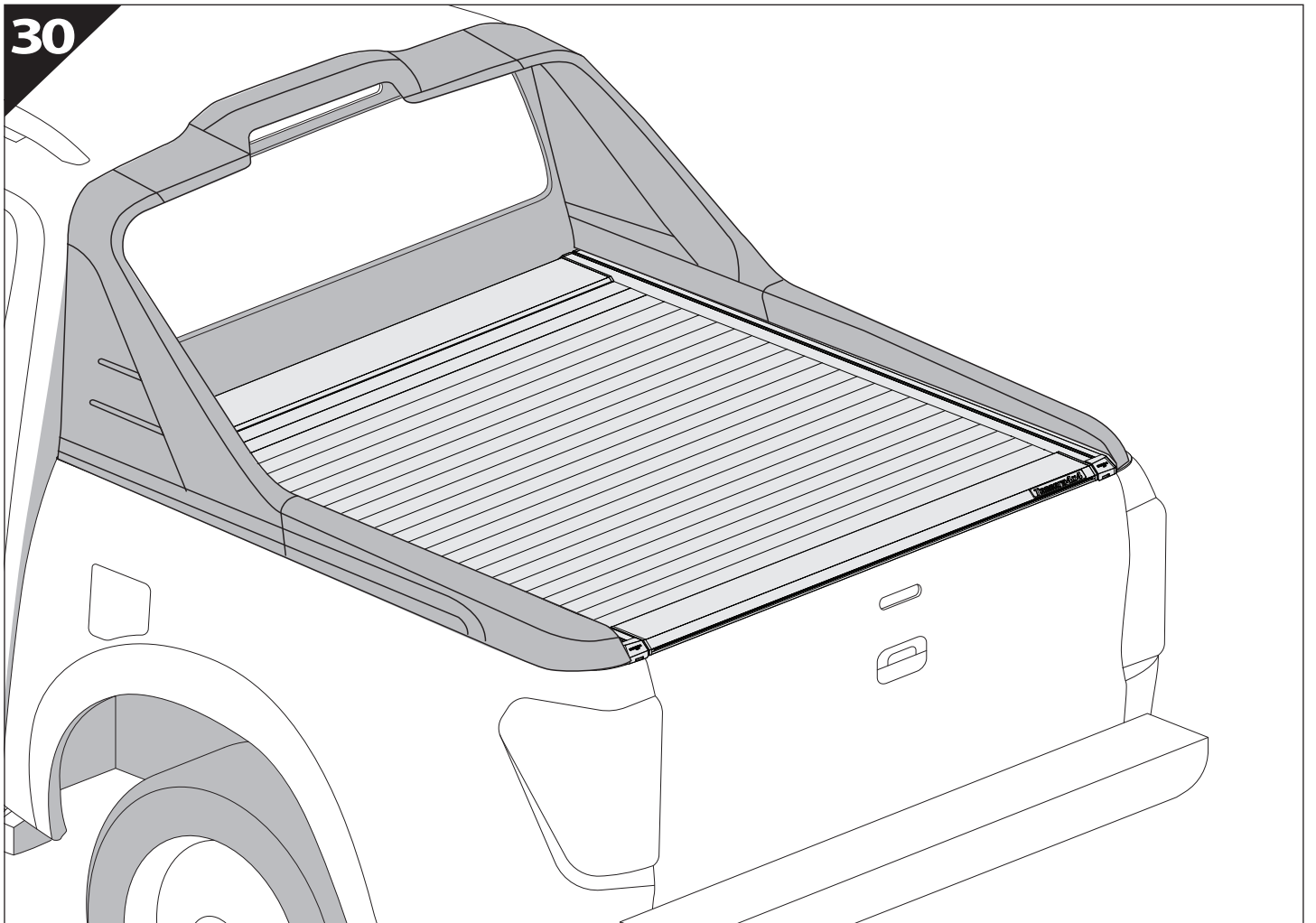
CAUTION !



29



30





GR: Οδηγίες Εγκατάστασης
GB: Installation manual
SF: Asennusohje
F: Notice de montage
PL: Instrukcja montażu
NL: Installatie-instructies
TR: Montaj Talimatı
S: Monteringsanvisning
E: Instrucciones de montaje

H: Szerelési utasítás
P: Instruções de instalação
RUS: Инструкция по установке
N: Monteringsveiledning
D: Einbauanleitung
CZ: Návod k instalaci
I: Istruzioni de montaggio
DK: Monteringsvejledning
RO: Instructiuni de instalare

Customer Service:

+30 (210) 5541161, +30 (210) 5541154 (08:00 - 16:00 EET)

Support department:

info@gianso.gr

Website:

www.tessera4x4.com

Address:

19.5 km of National road Athens-Korinthos (Elefsina) Greece, P.C: 19200