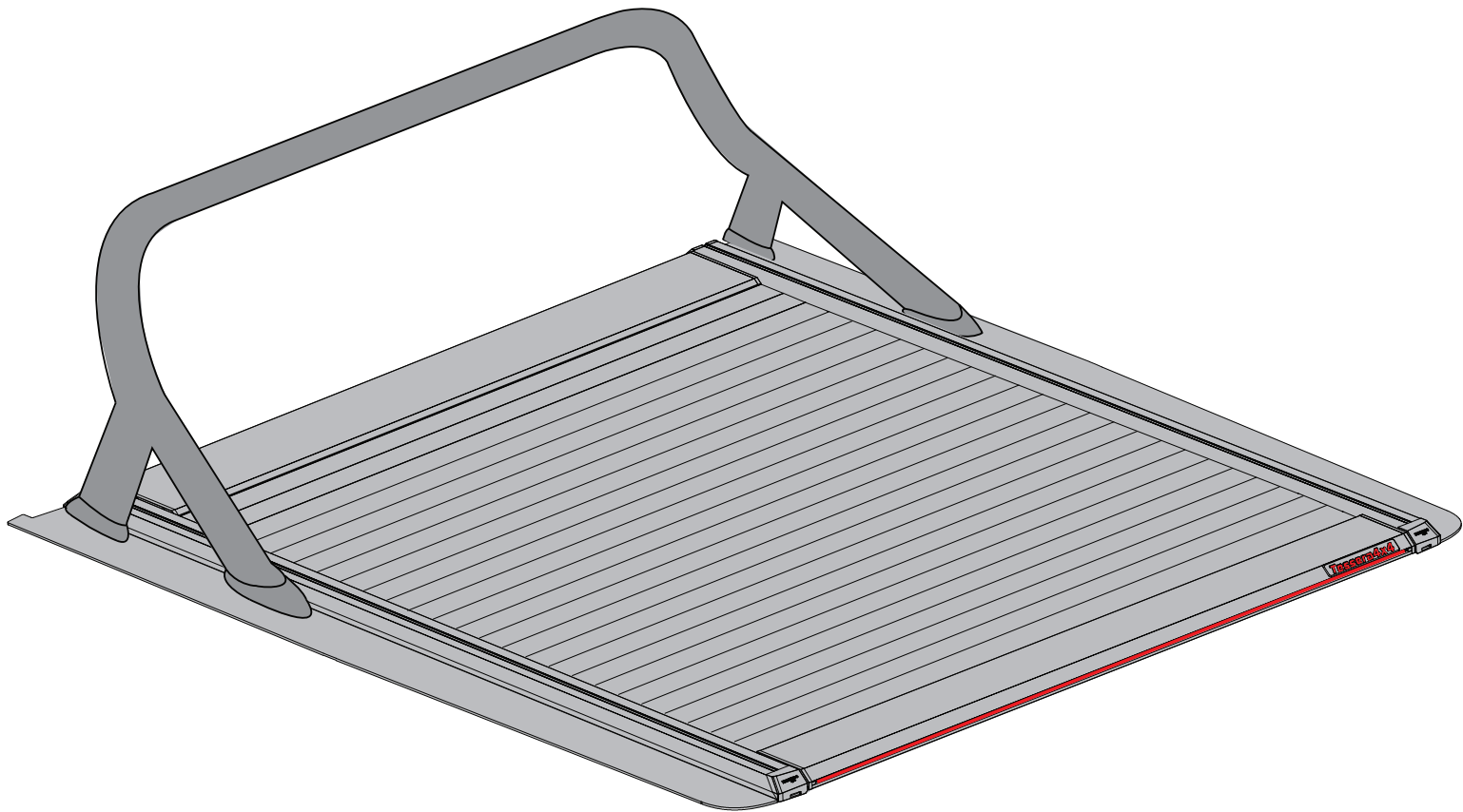


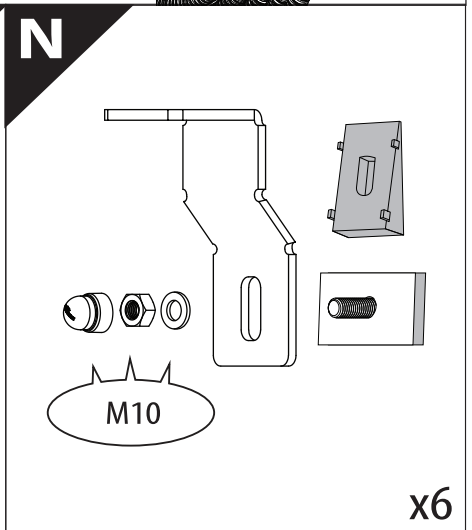
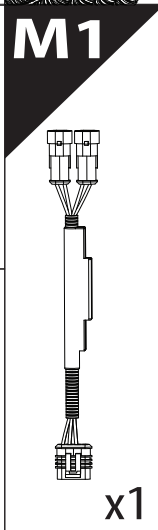
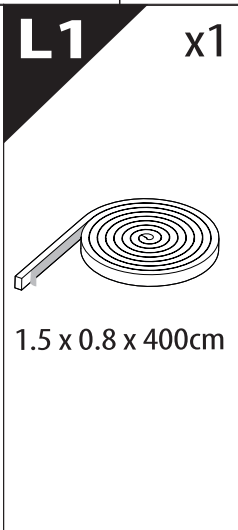
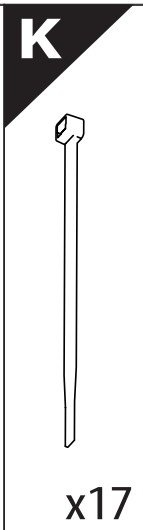
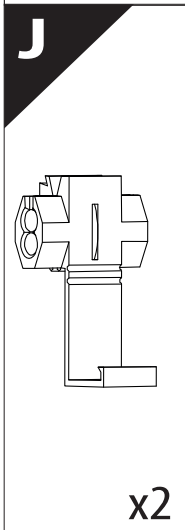
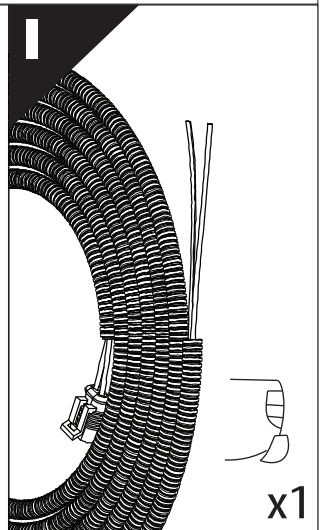
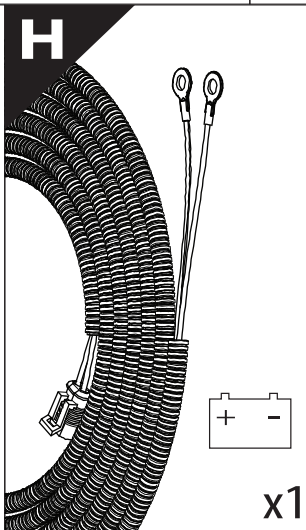
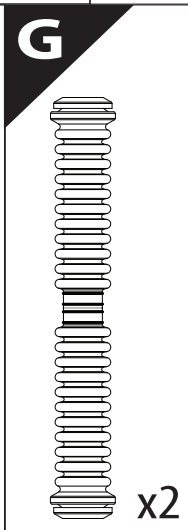
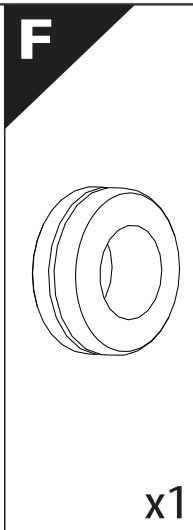
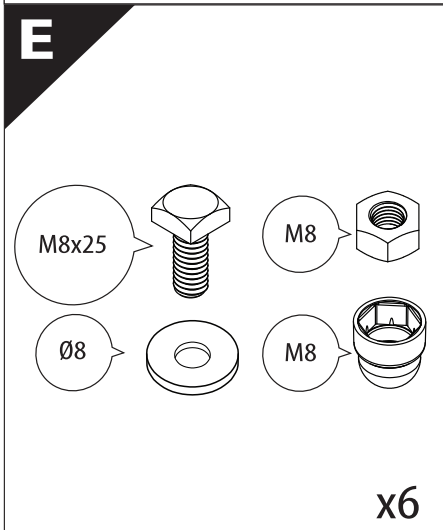
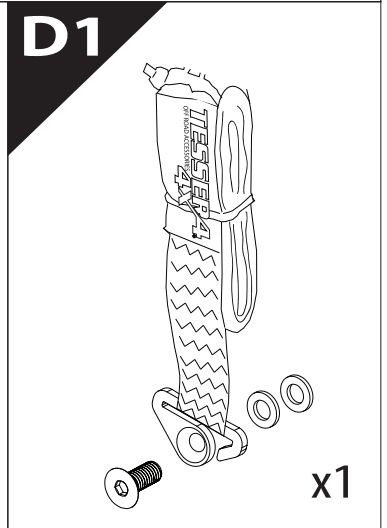
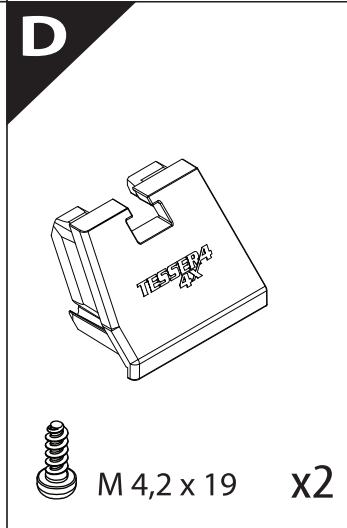
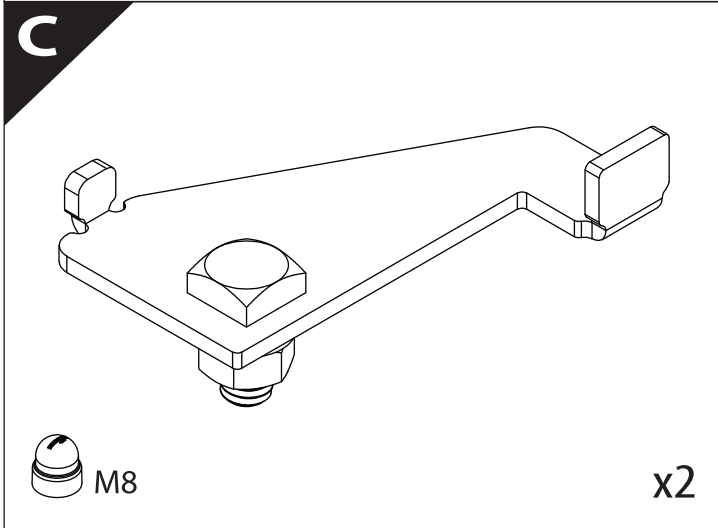
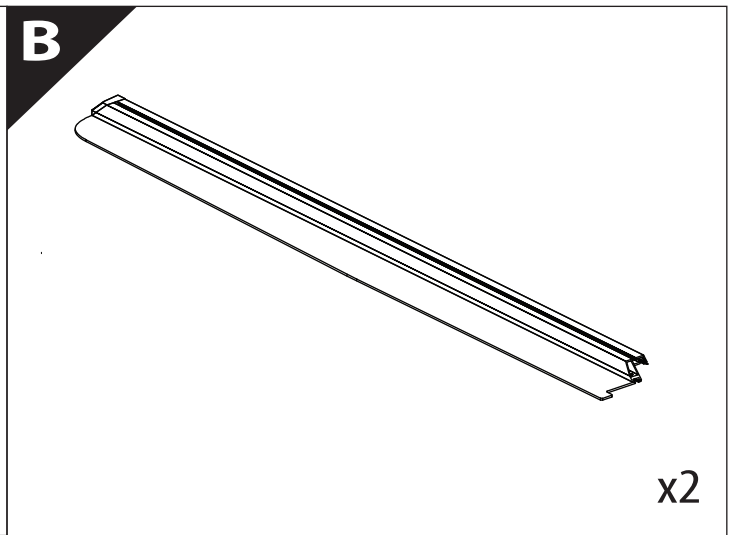
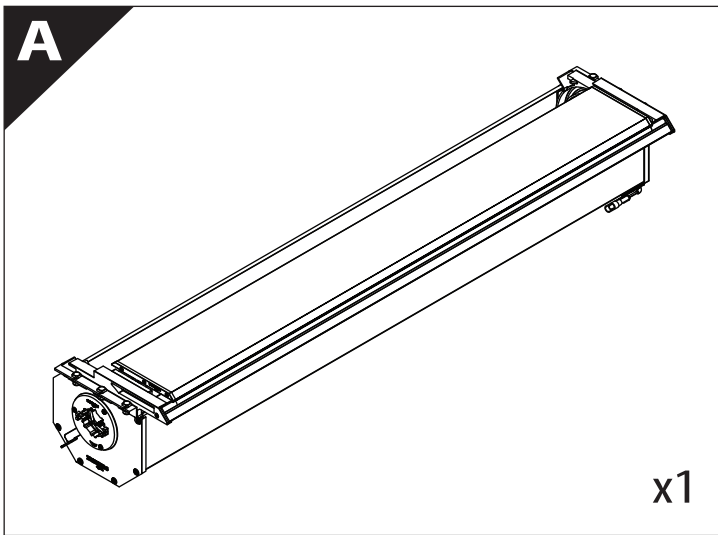
# Tessera Roll+

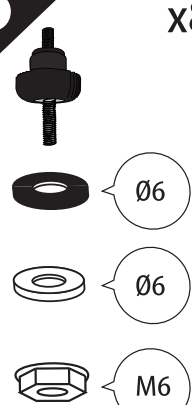

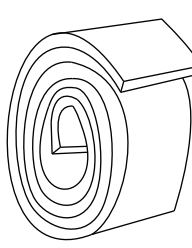
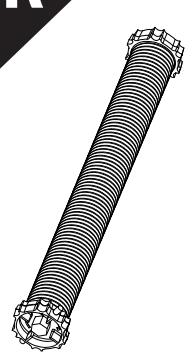

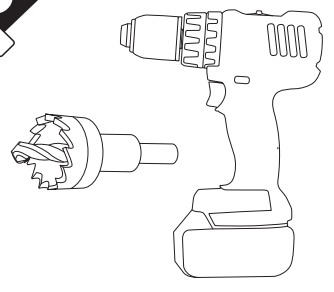
## Basic Version + ⚙️ S-KIT


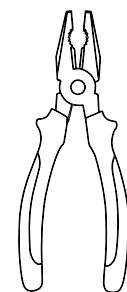
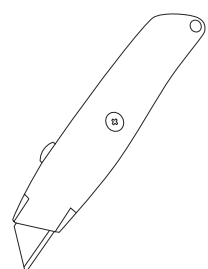
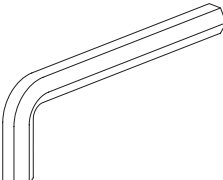
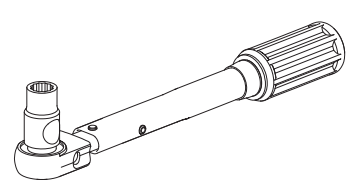


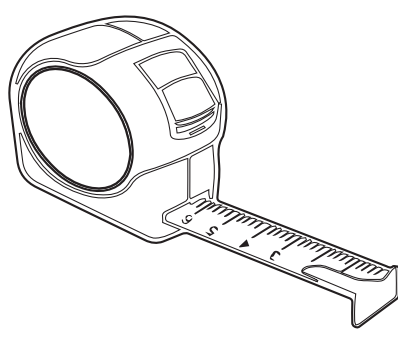

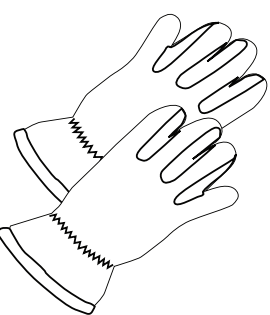

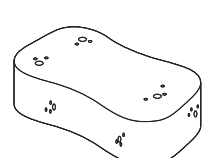
## Installation Manual

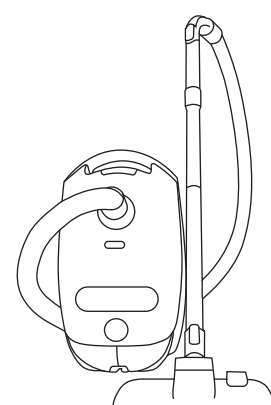
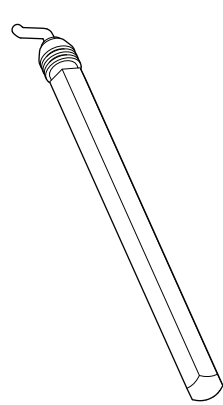

<b>PART NUMBER(S)</b>	<b>Model Year</b>
<b>TESS 14191 ROLL+S-KIT</b>	<b>Mercedes X-Class 2018+ OEM ROLL BAR (with c-channels)</b>
<b>Cab(s)</b>	<b>Installation Time / Weight</b>
<b>Double Cab</b>	<b>40-60 minutes / 53-57 kg</b>


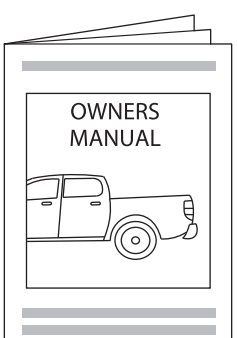


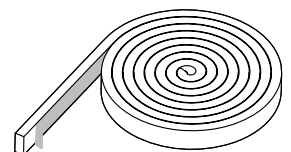
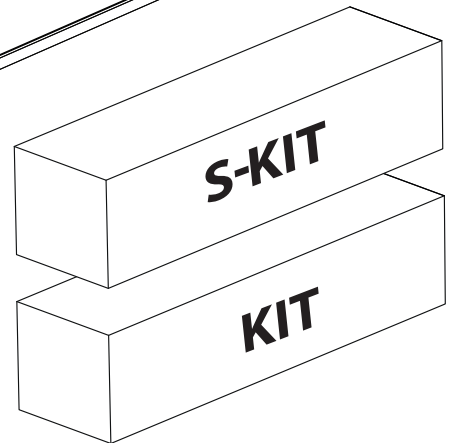
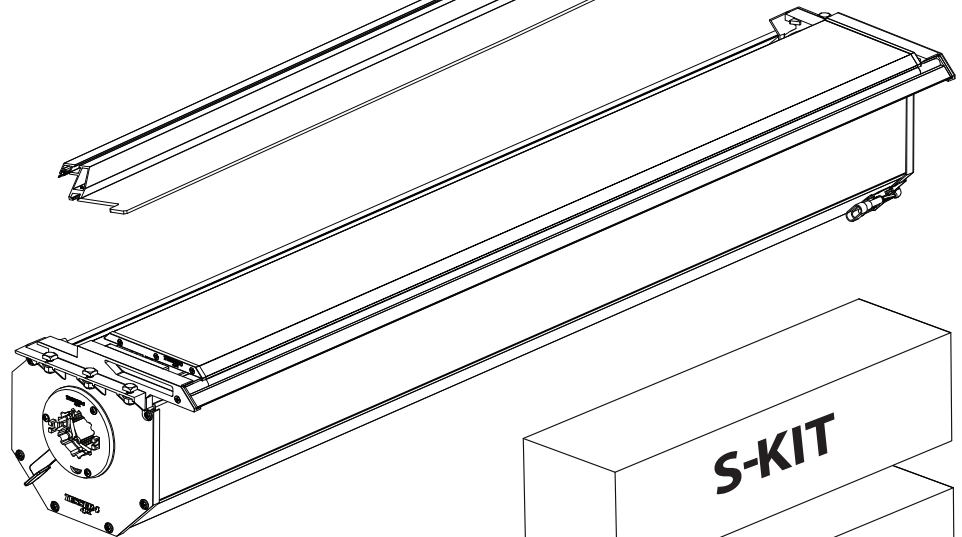
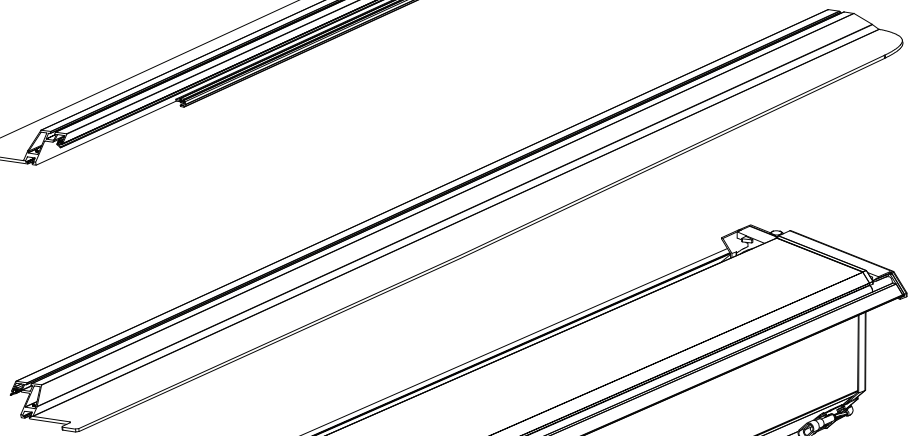
<p><b>O</b> x8</p>  <p>Ø6 Ø6 M6</p>	<p><b>P</b></p>  <p>Silicone</p> <p>x1</p>	<p><b>Q</b></p>  <p>x1</p>	<p><b>R</b></p>  <p>x1</p>	  <p>Ø 25 mm / Ø 40 mm</p>
---	---	---	--	---

 <p>+</p>			 <p>4 mm</p>	<p>1 - 25 Nm</p>  <p>10, 12, 13, 17 mm</p>
--	---	---	--	---

			 <p>H<sub>2</sub>O</p>	
---	--	---	--	--

		 <p>ANTI-RUST</p>
---	--	--

 <p>INSTALATION MANUAL +S-KIT</p>	 <p>OWNERS MANUAL</p>	<p>x1</p>
--	---	-----------

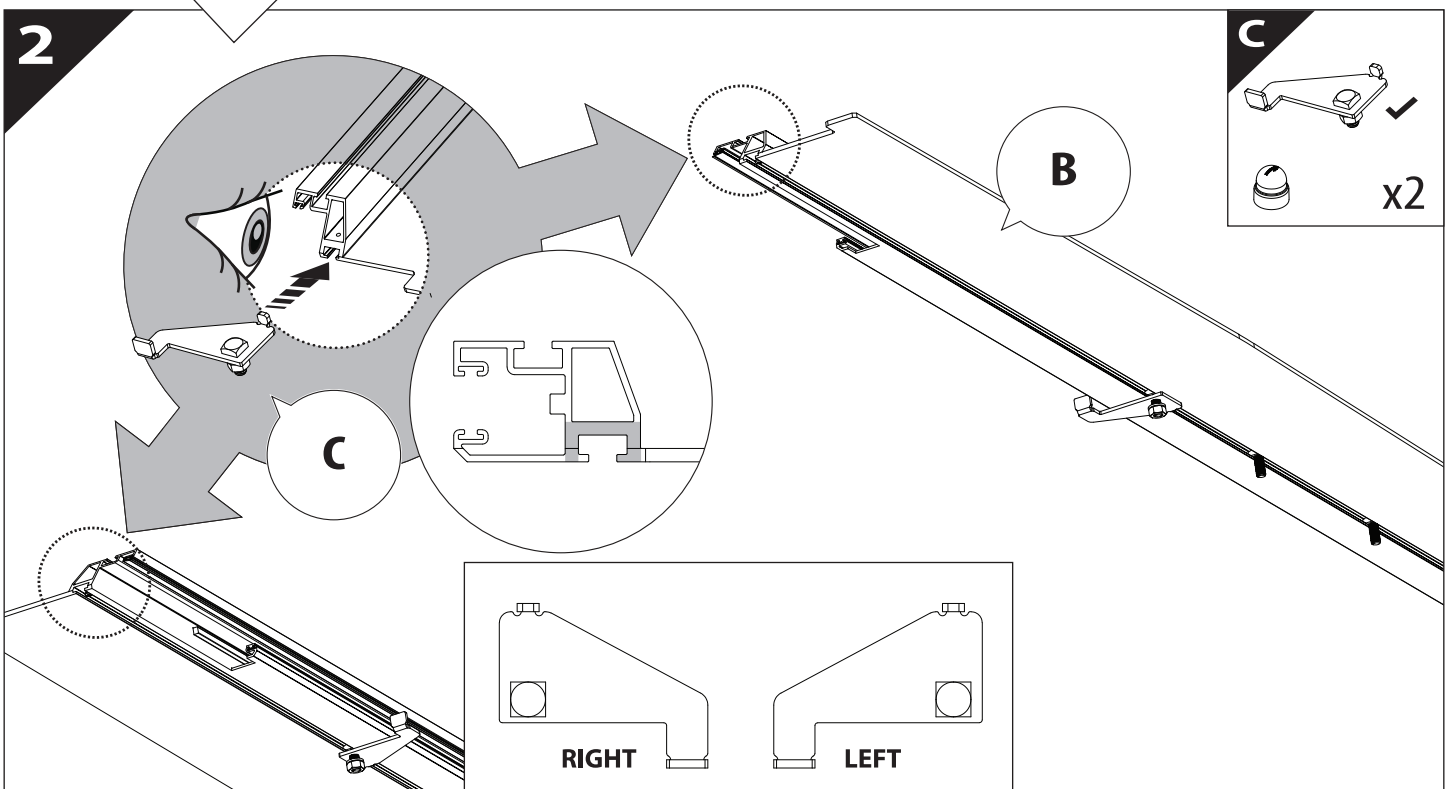
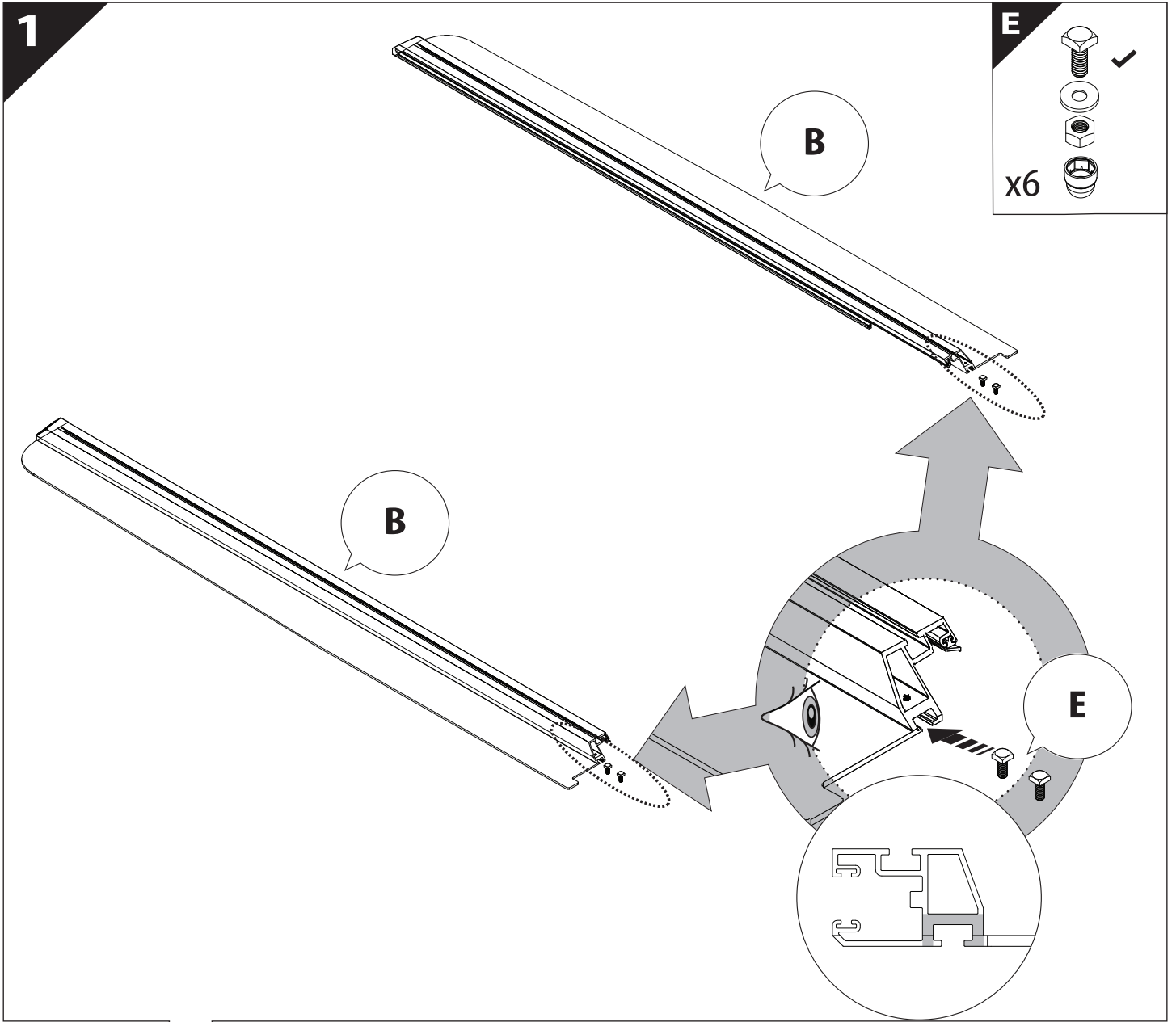


**B**

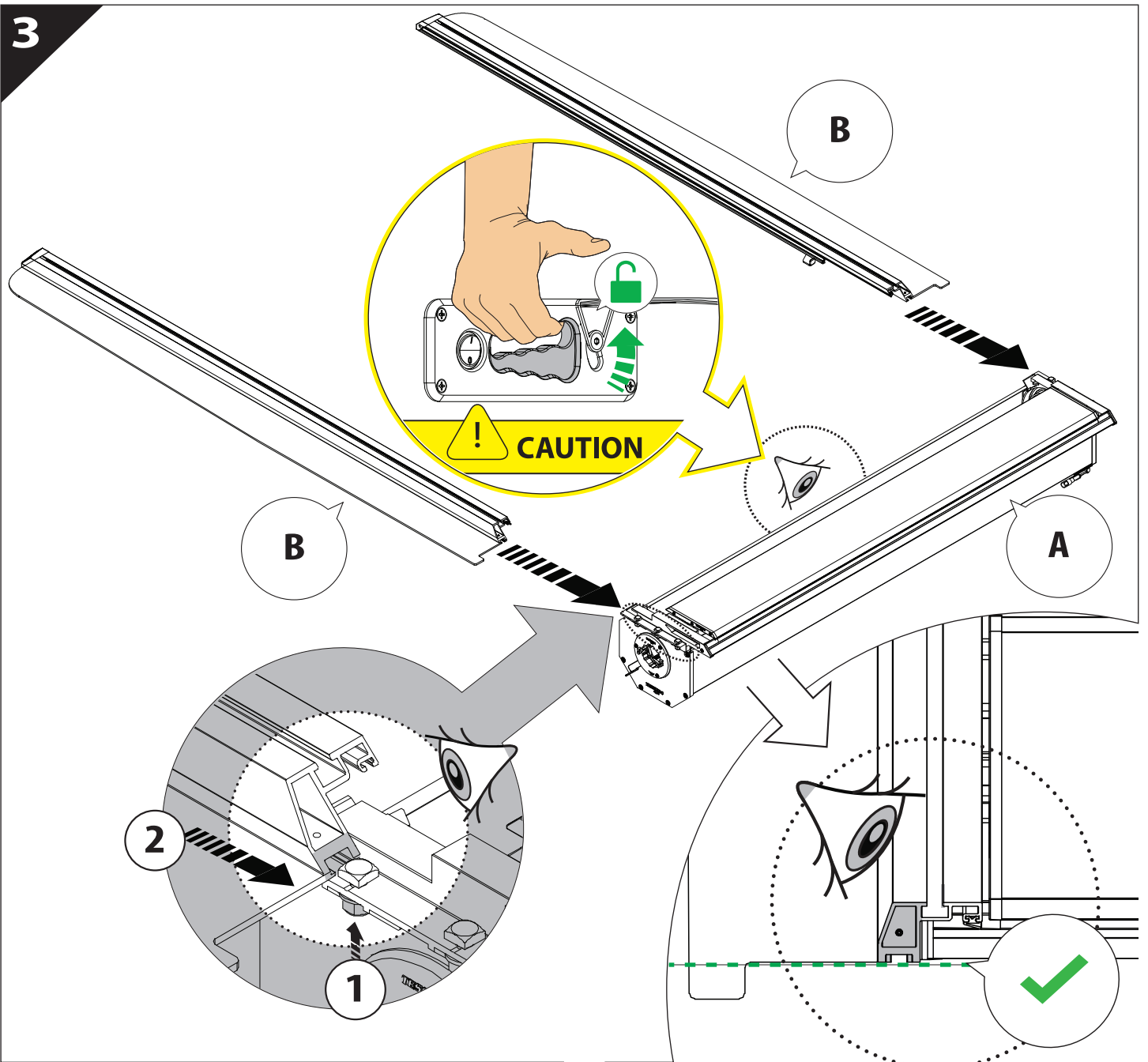
**A**

**KITS**

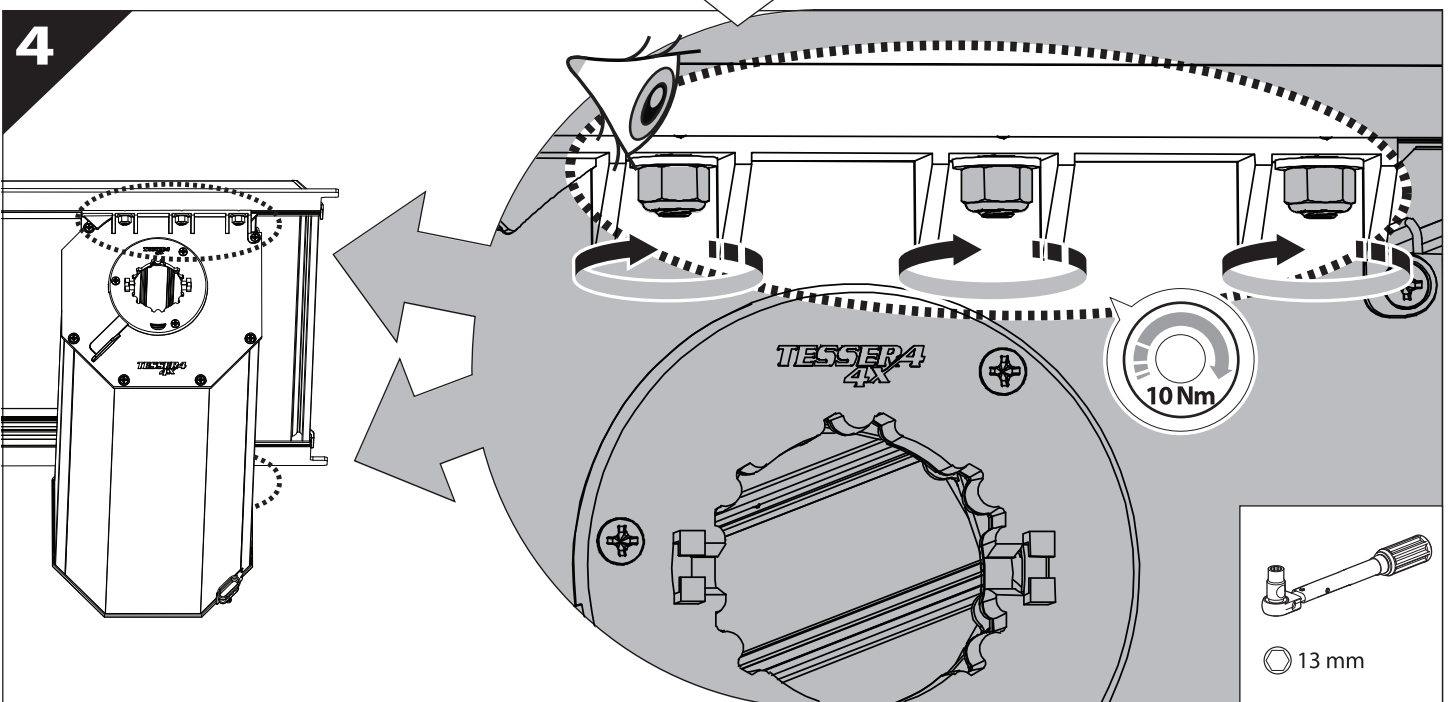
**L**



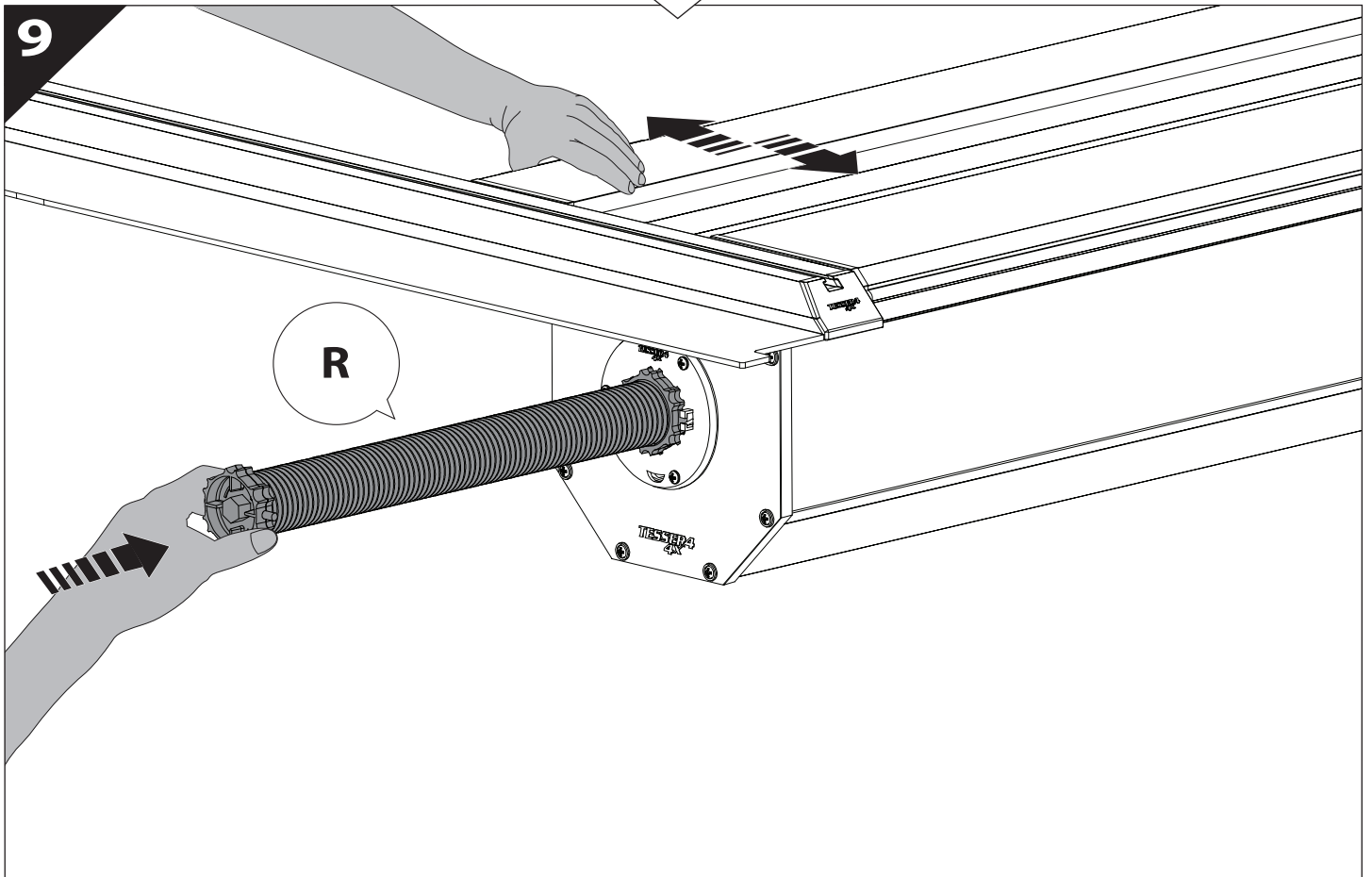
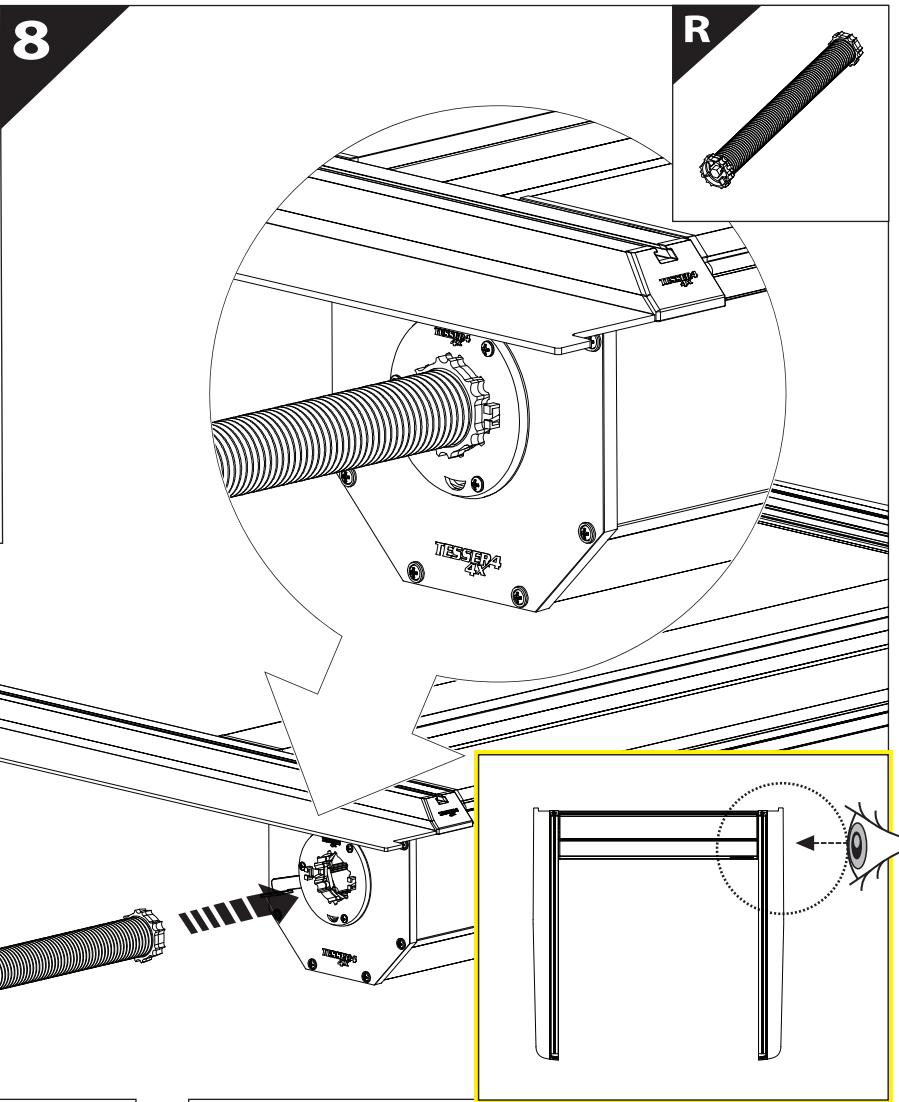
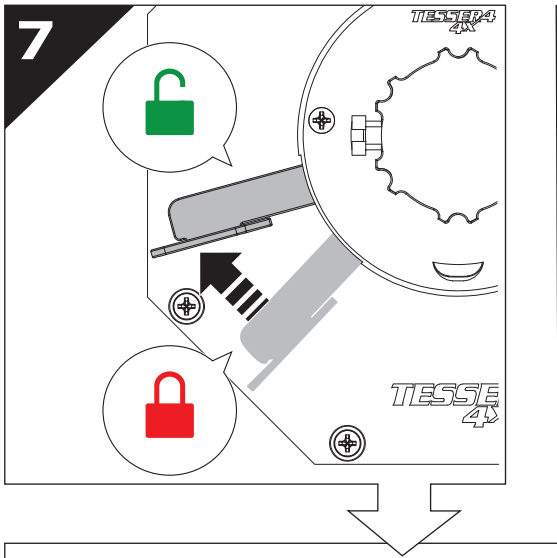
3



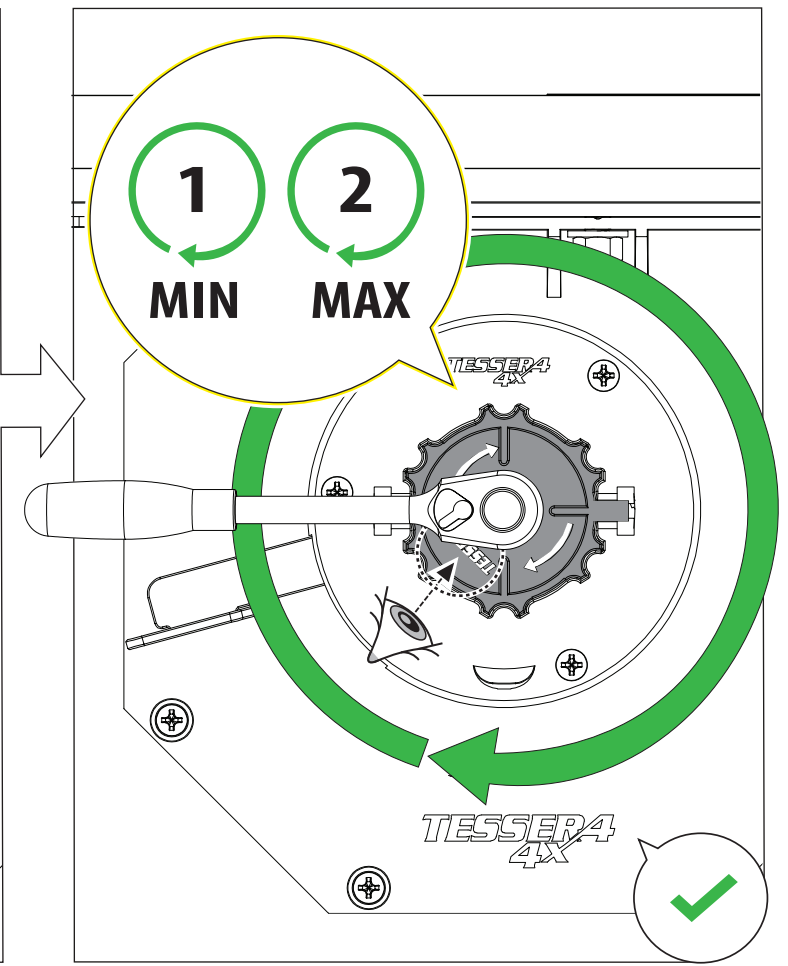
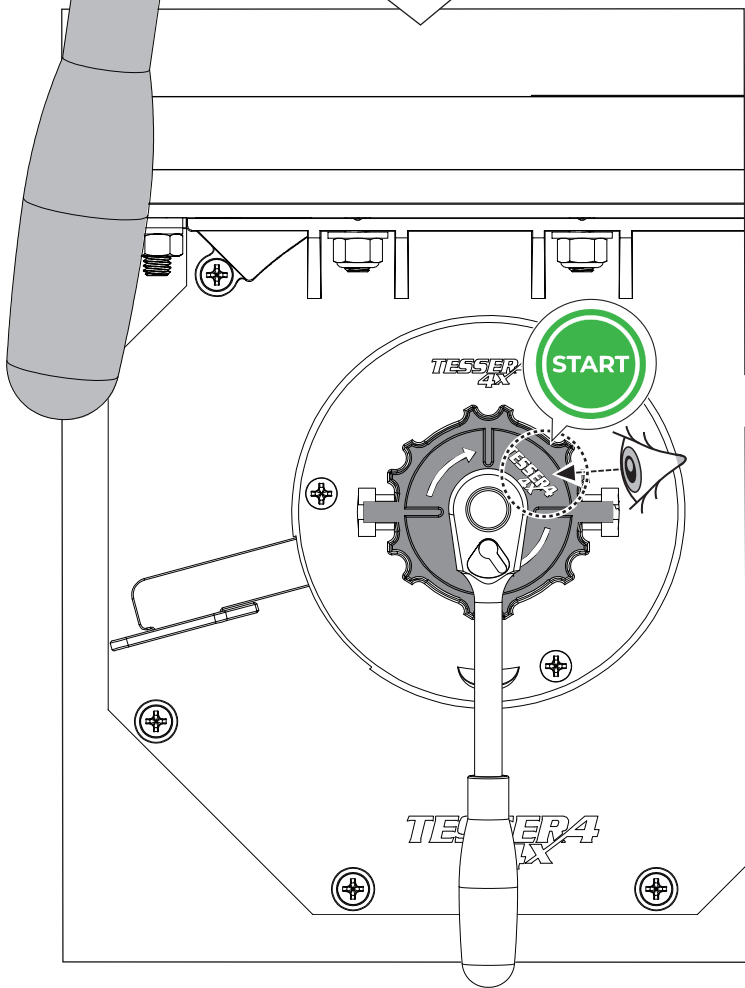
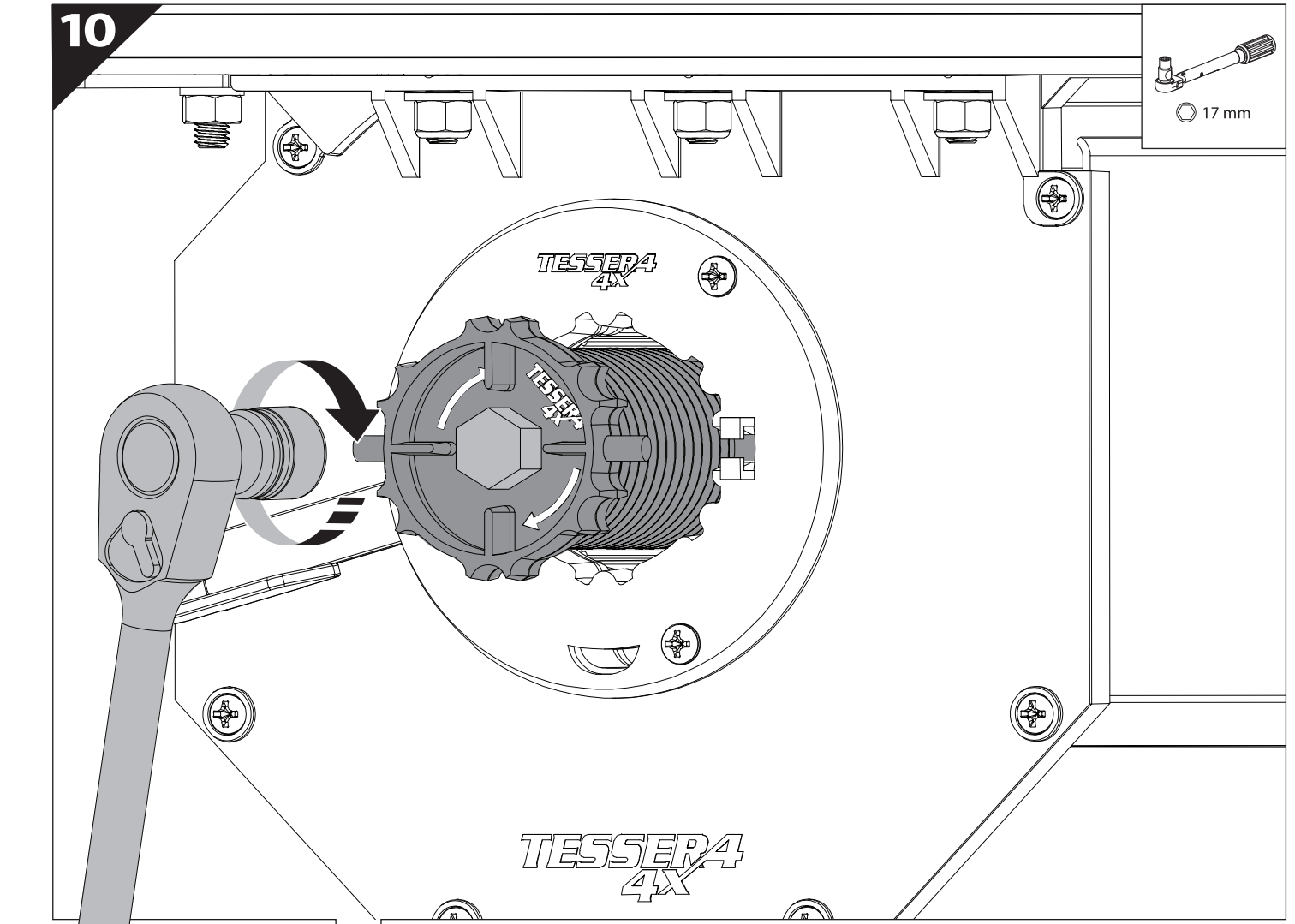
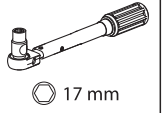
4



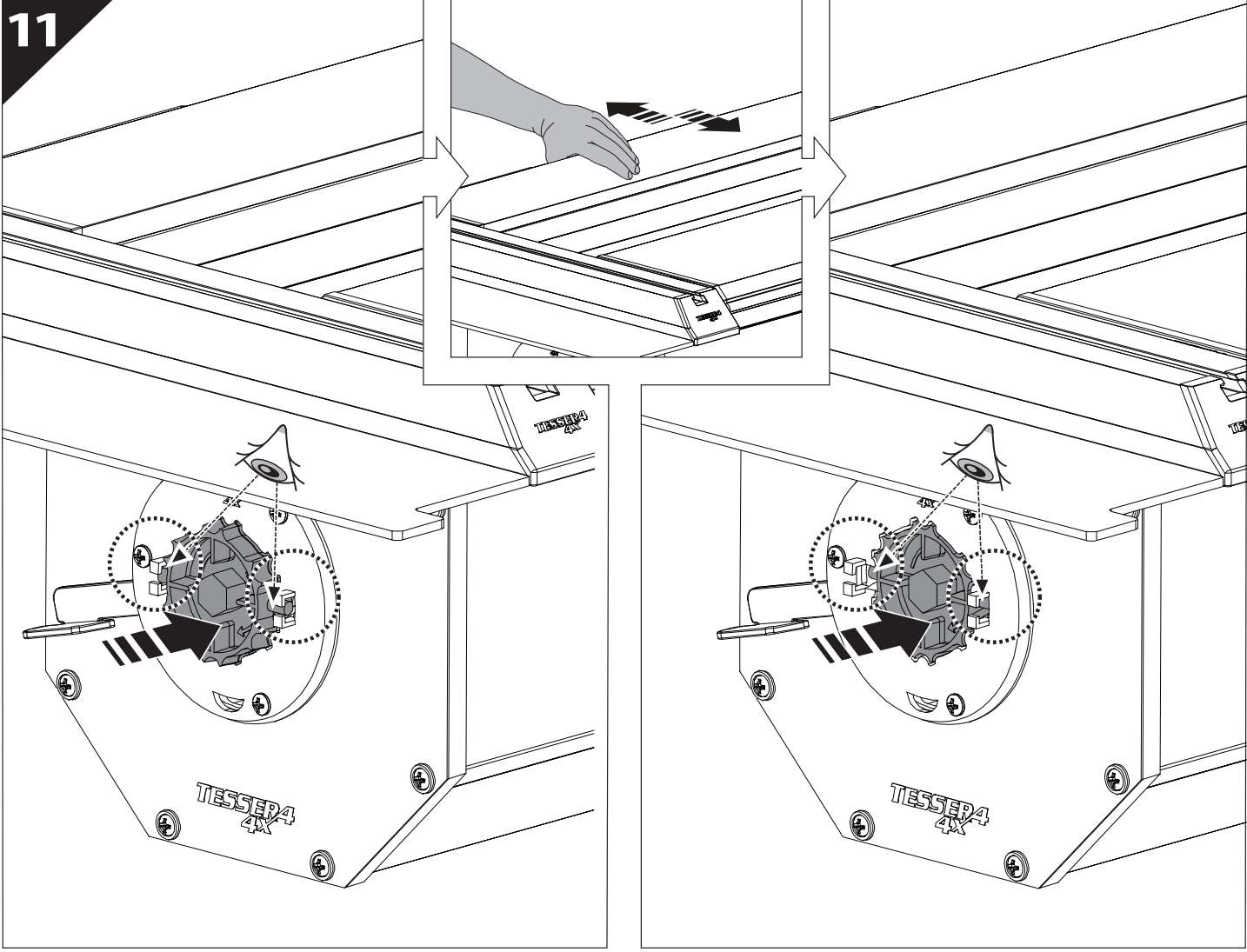




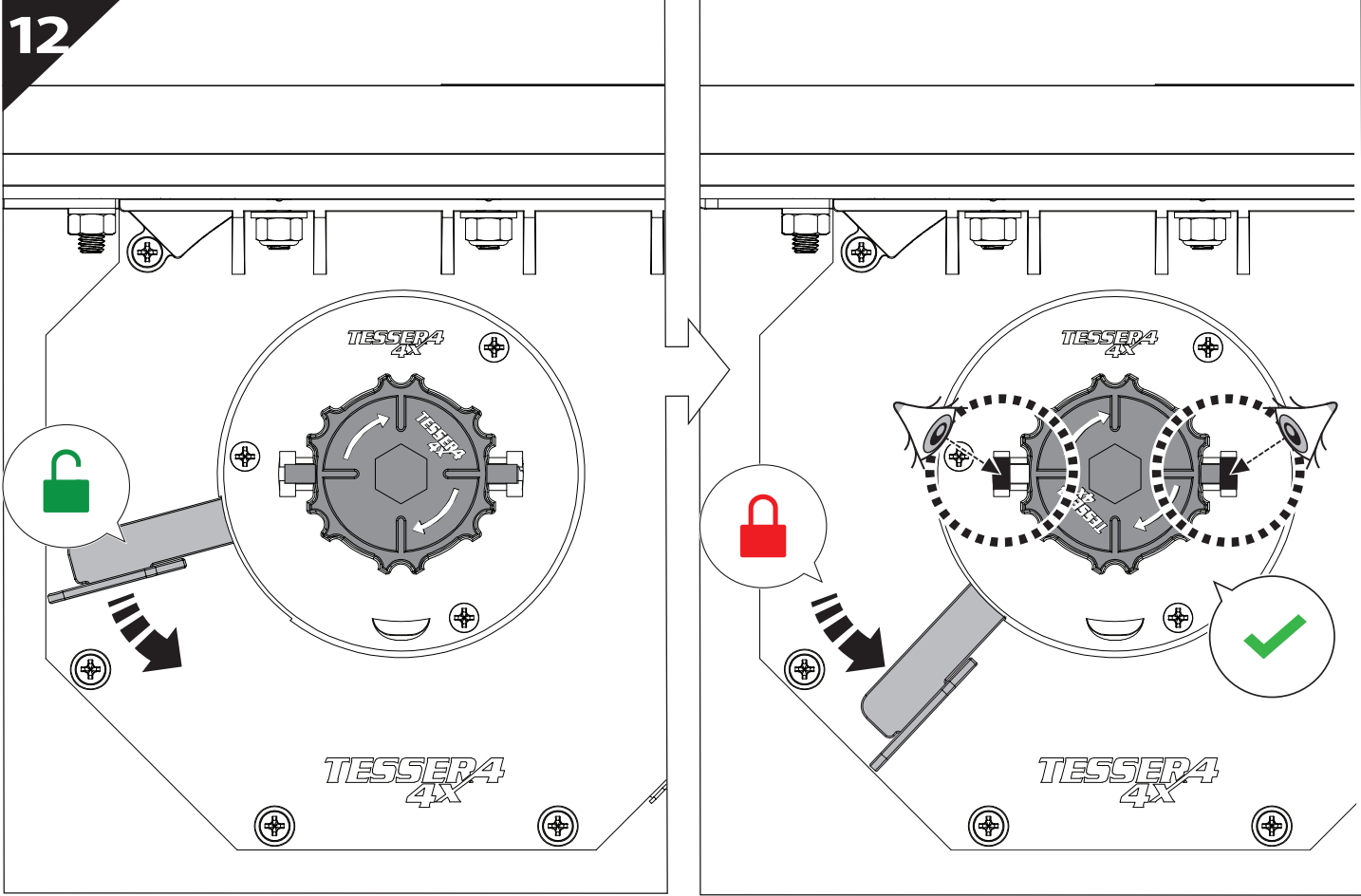
10



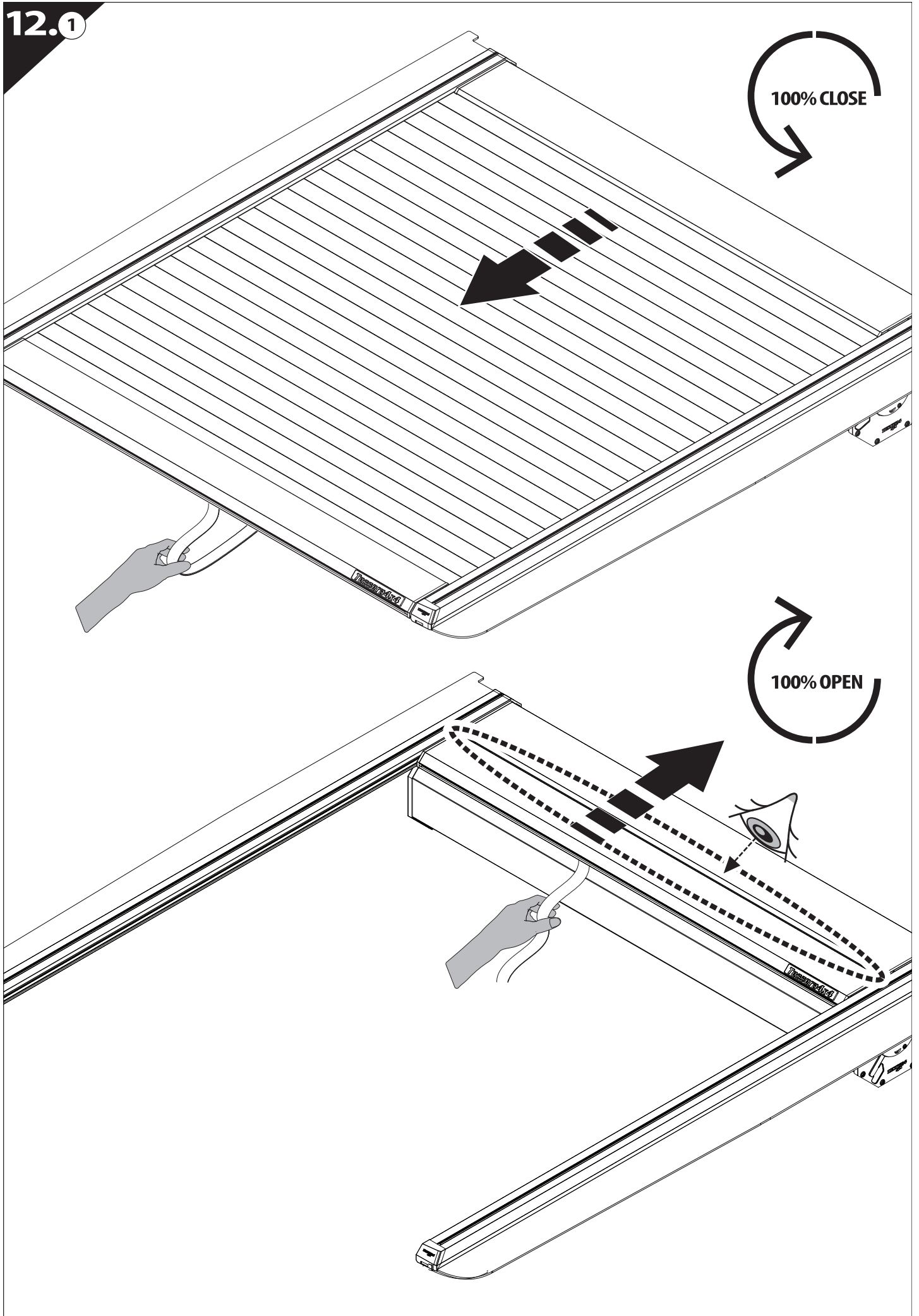
11

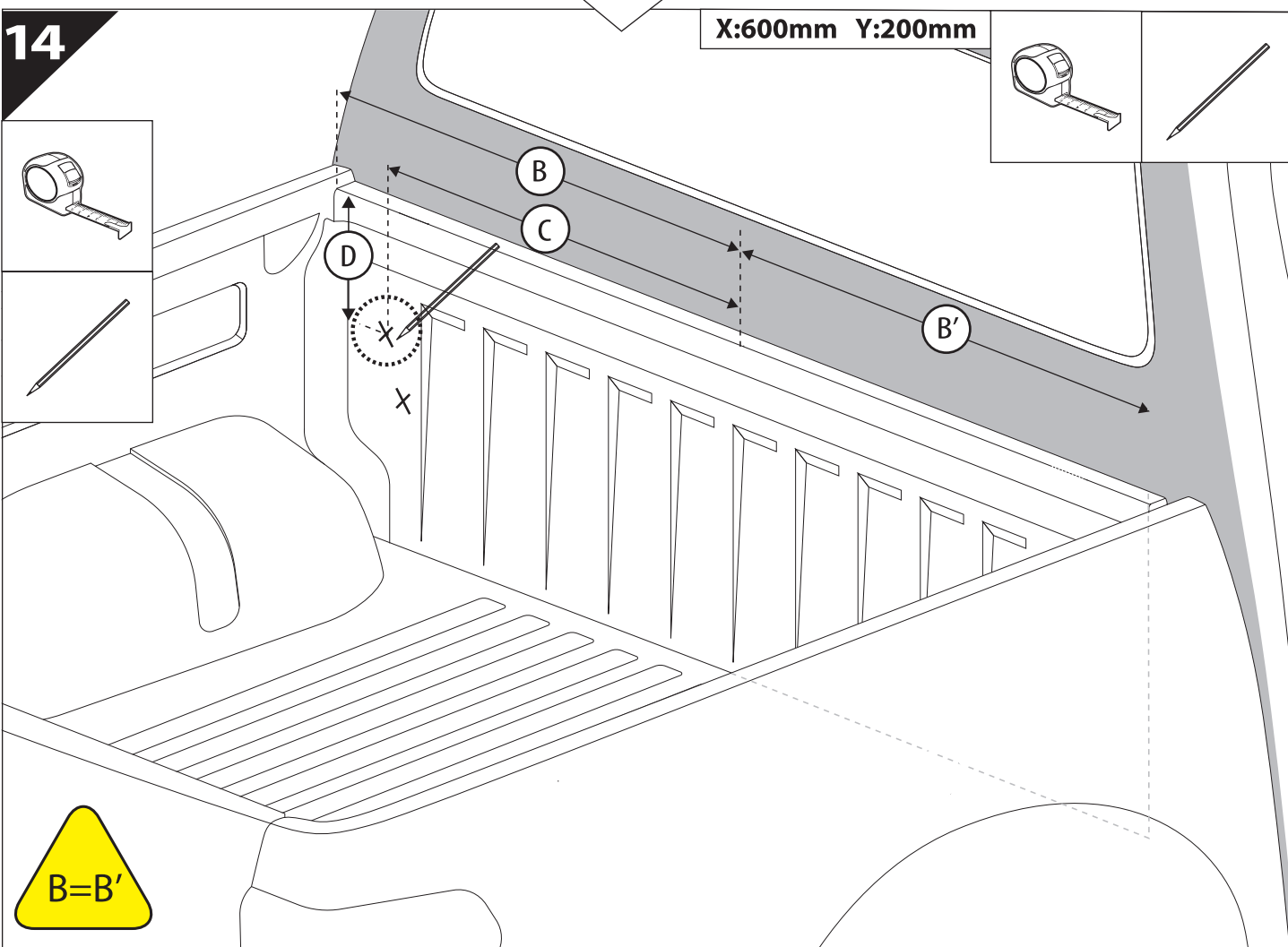
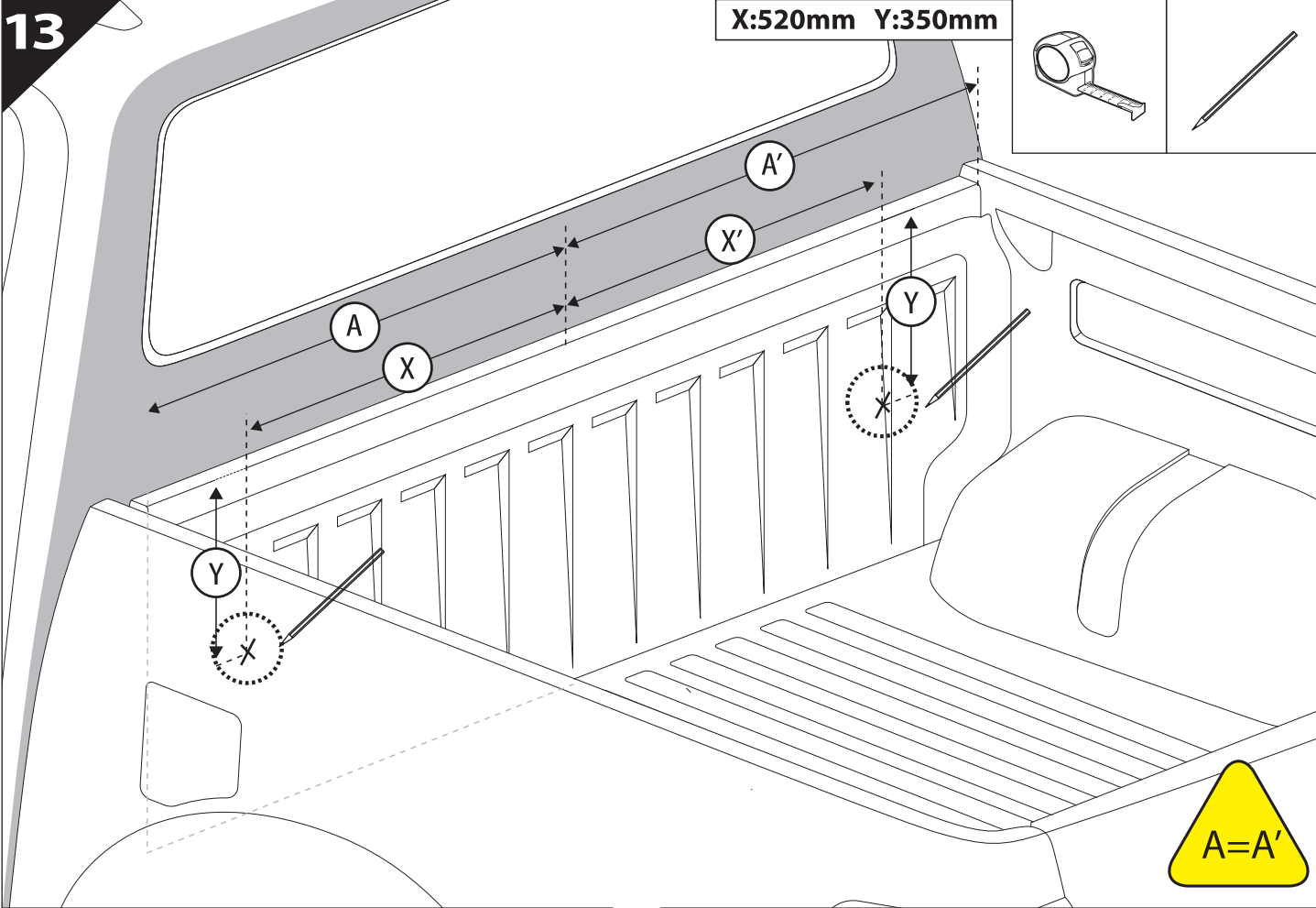


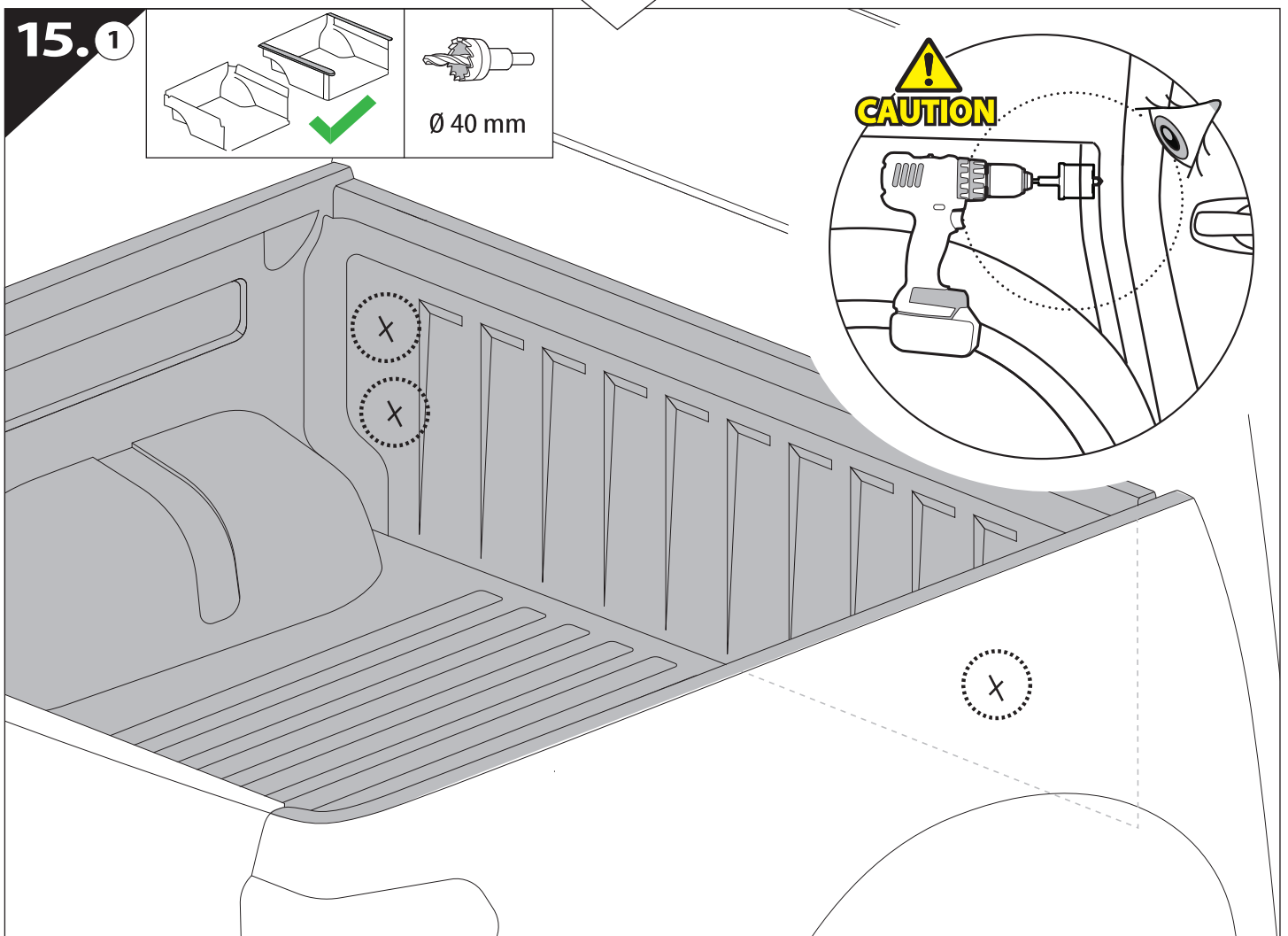
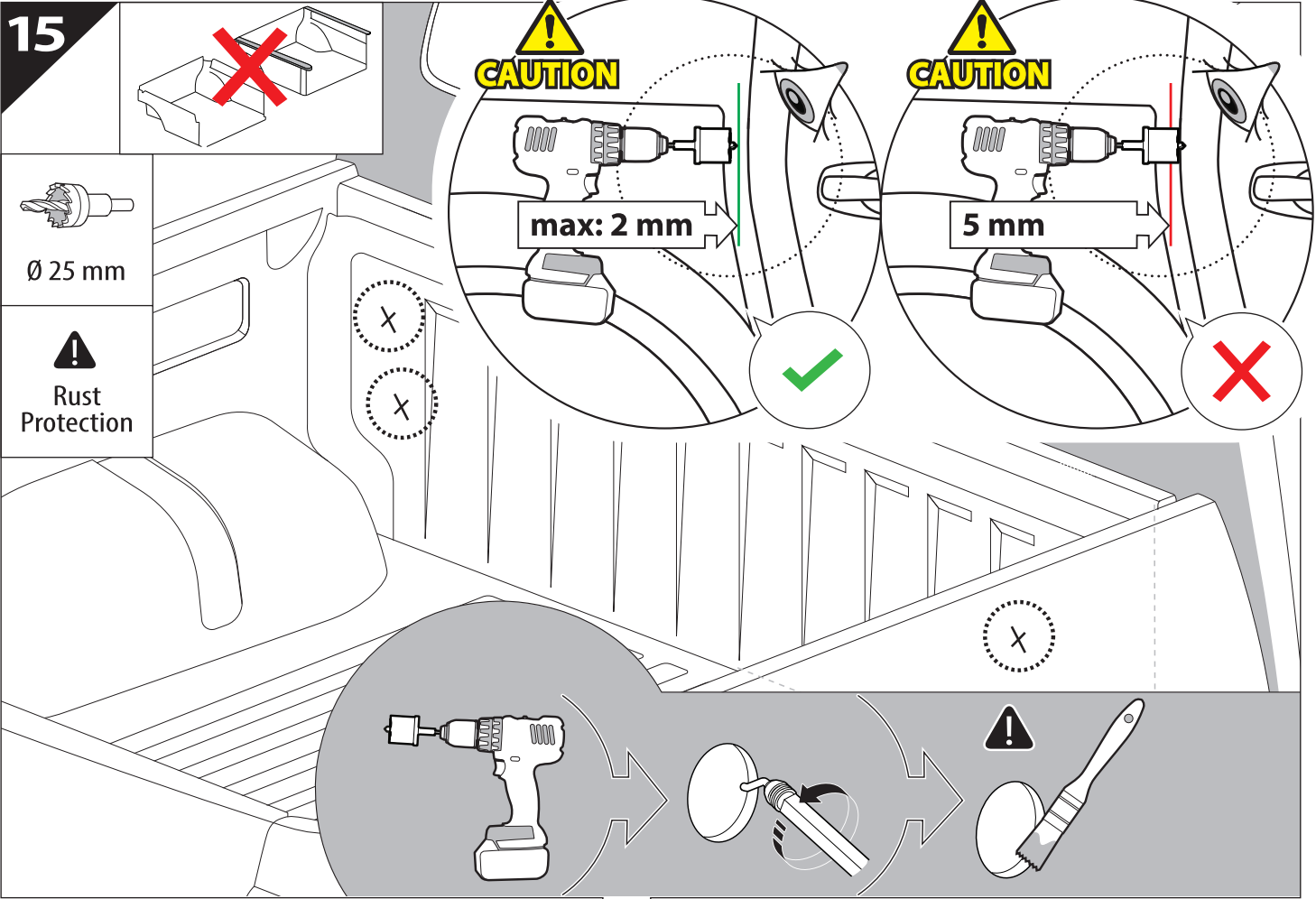
12



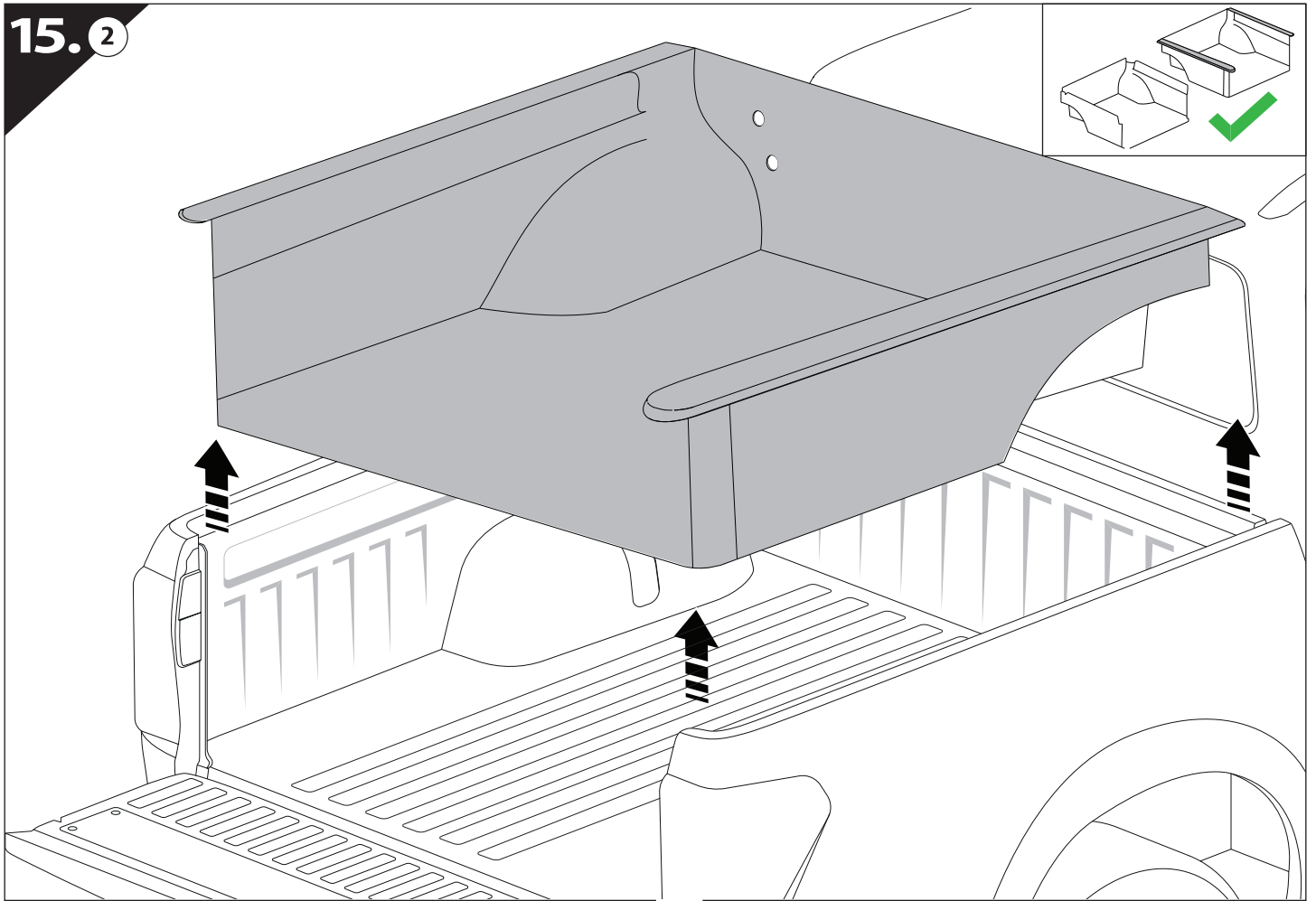
12.0



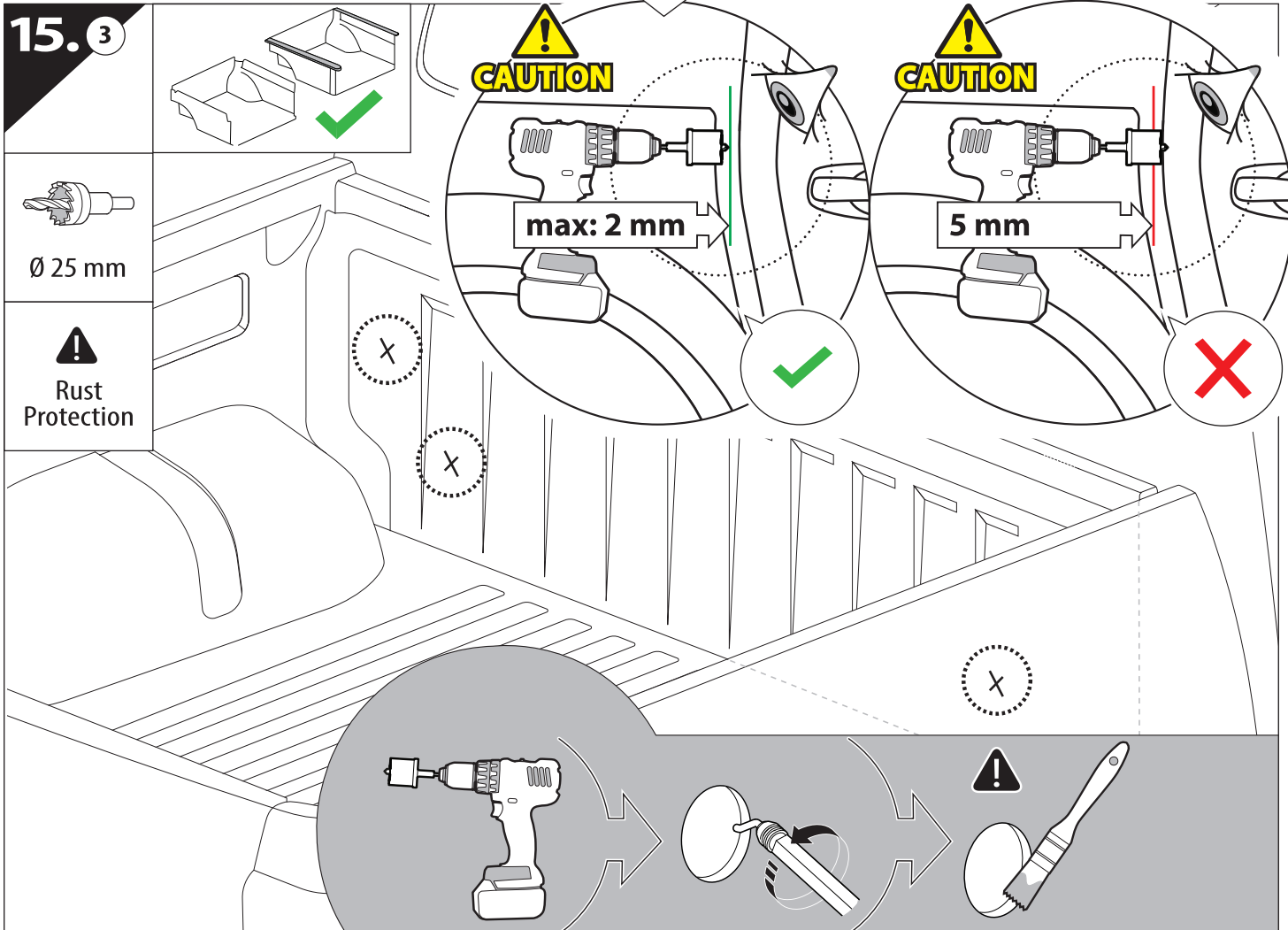




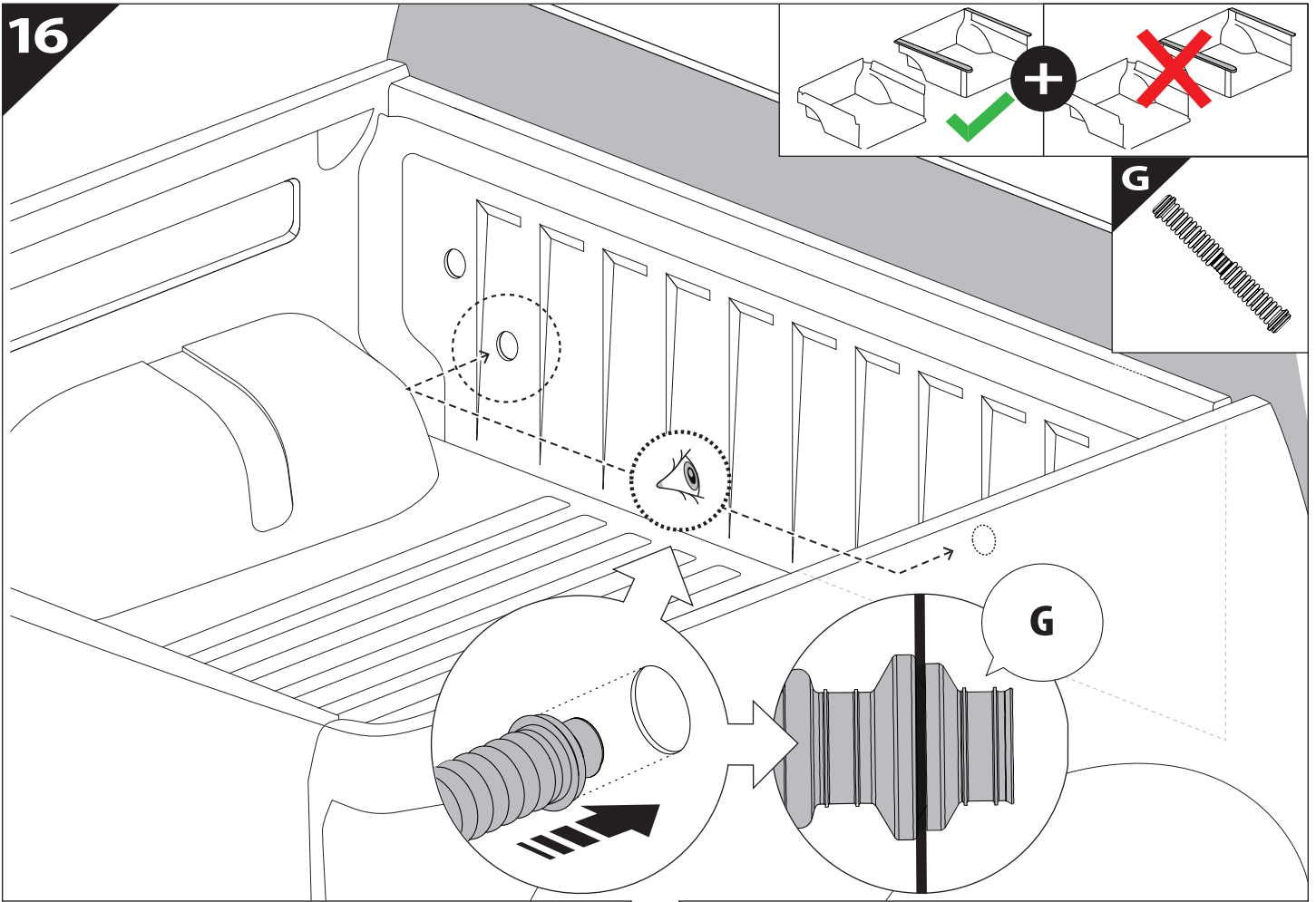
15.2



15.3

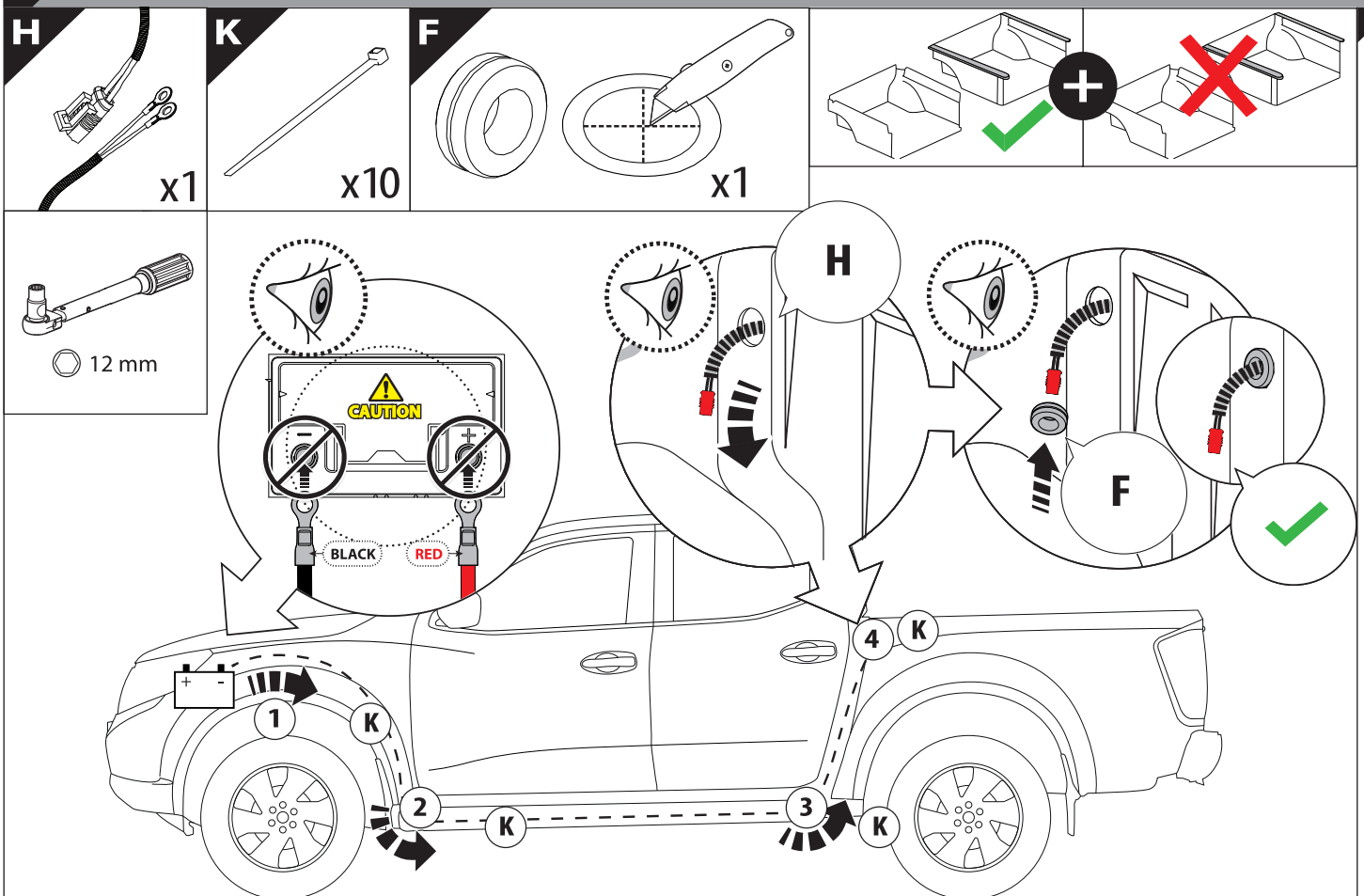


16

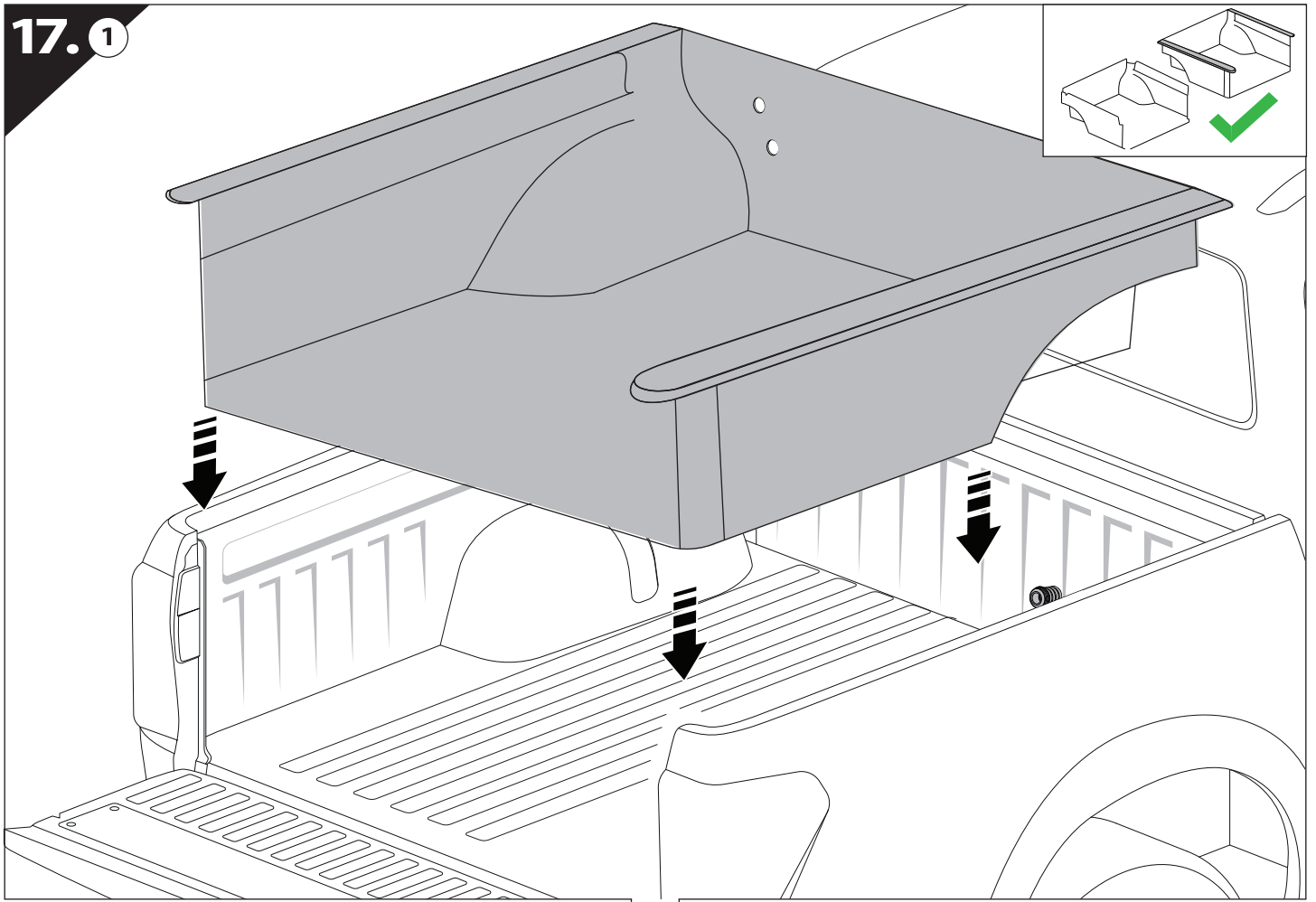


17

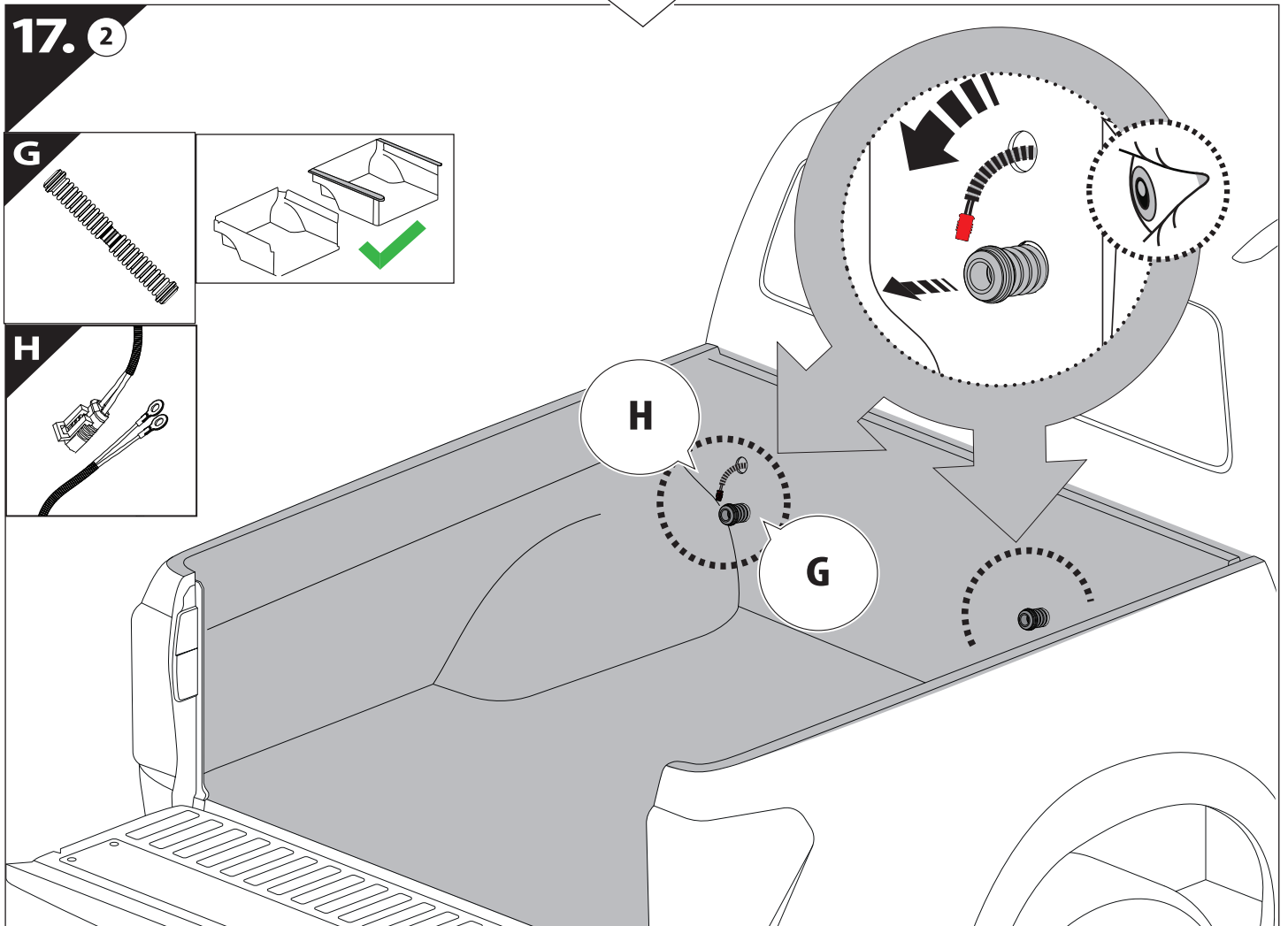
Only to be installed by authorized personnel



17. ①

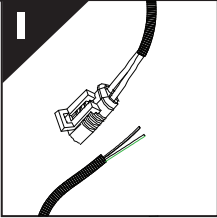


17. ②

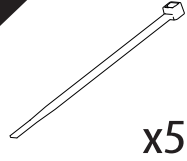


18

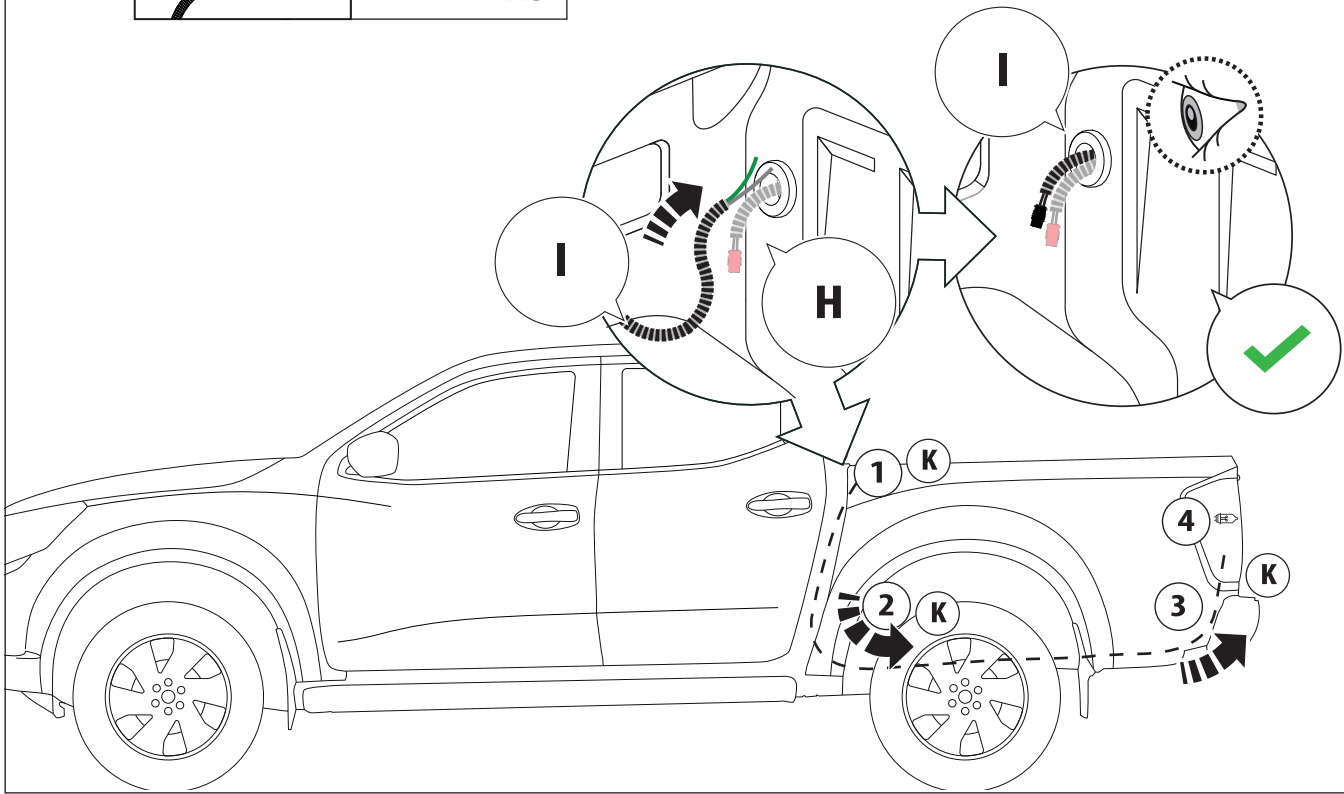
I

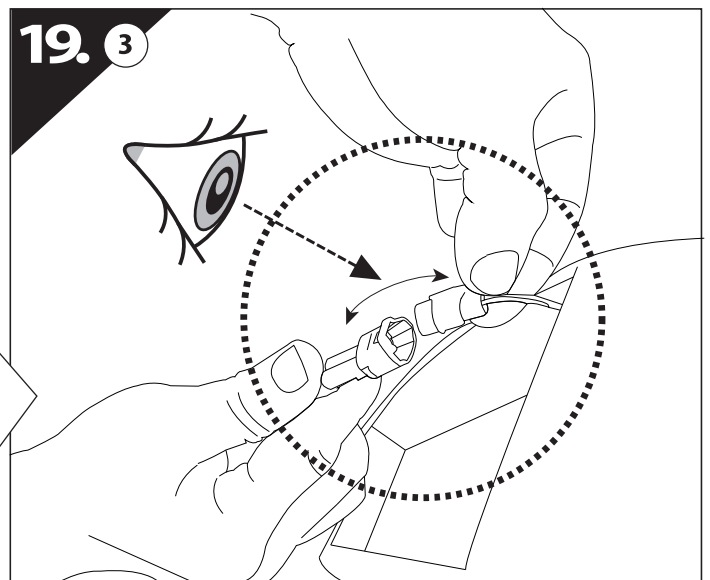
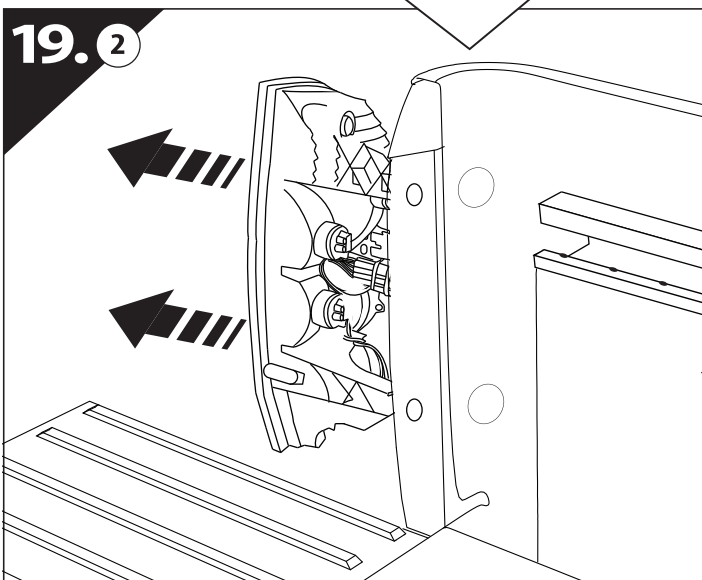
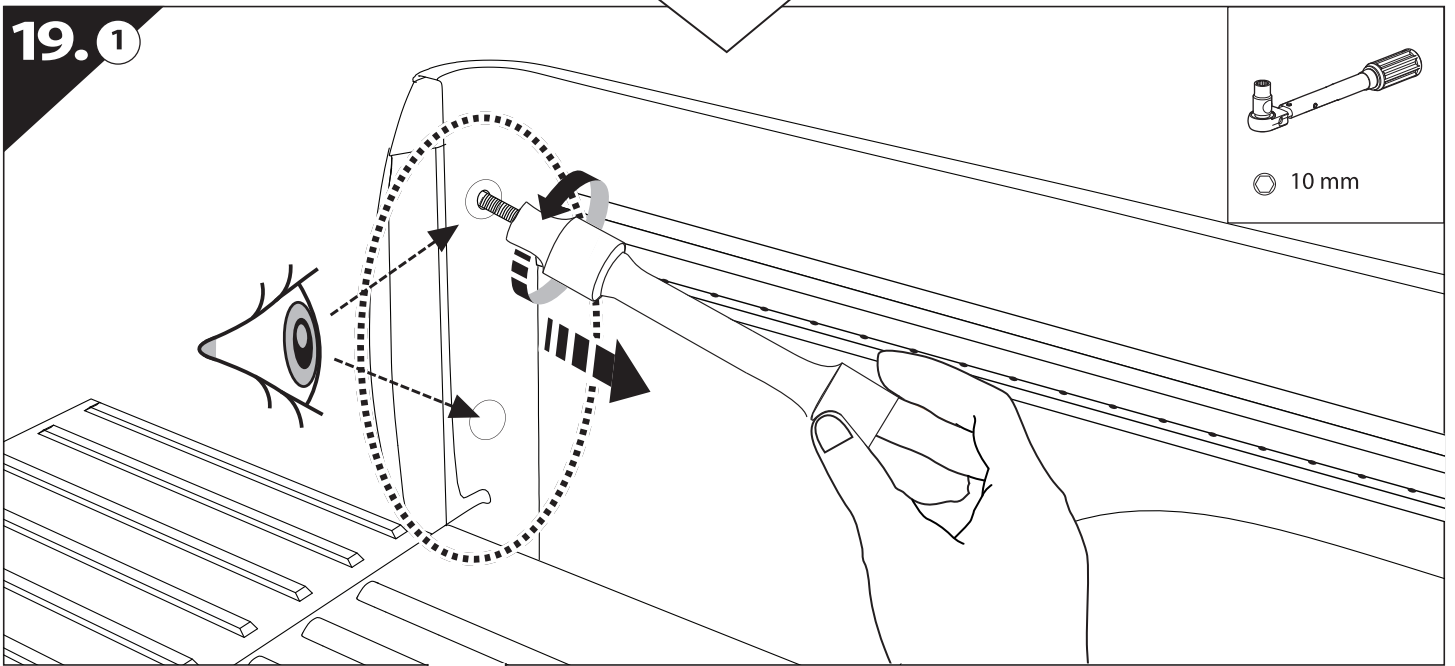
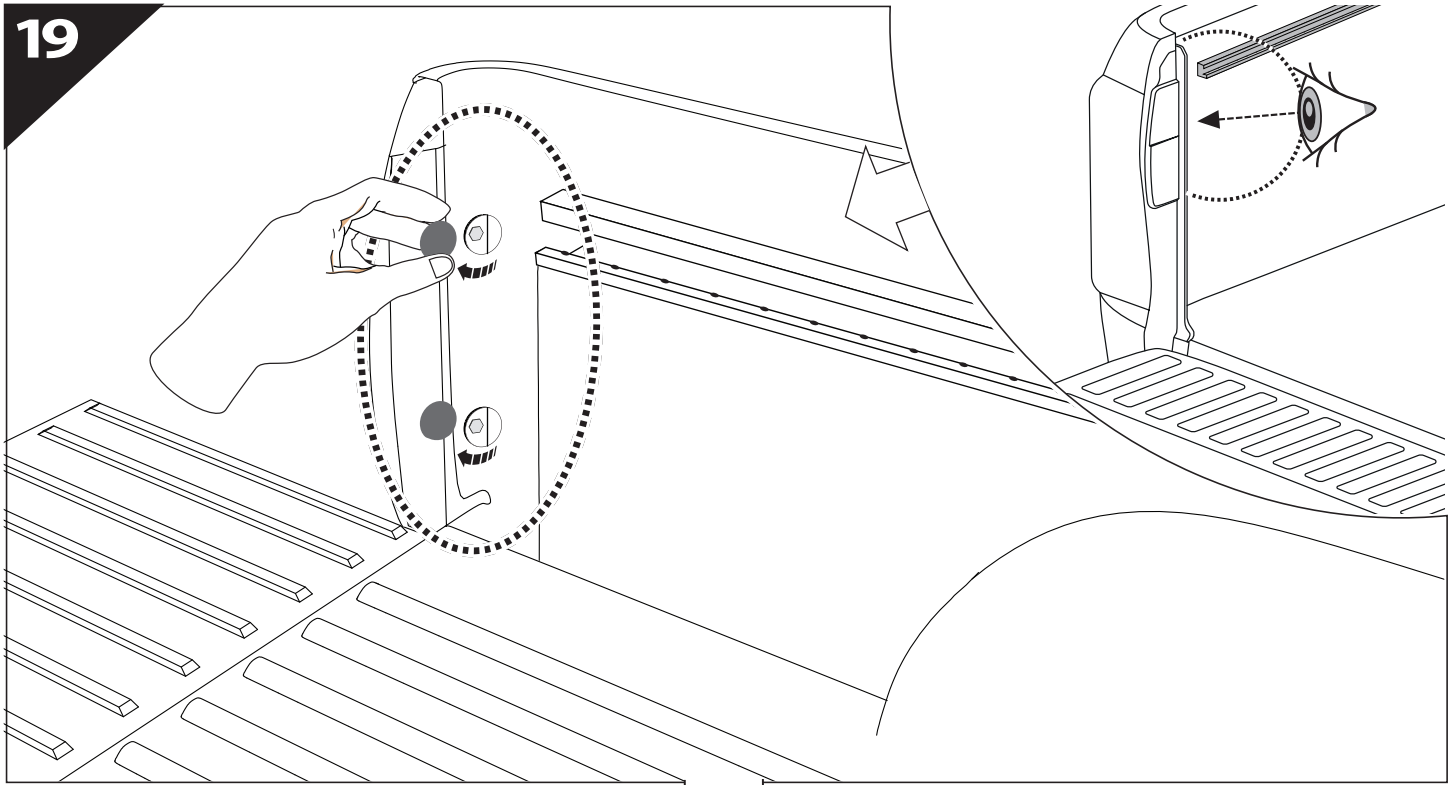


K

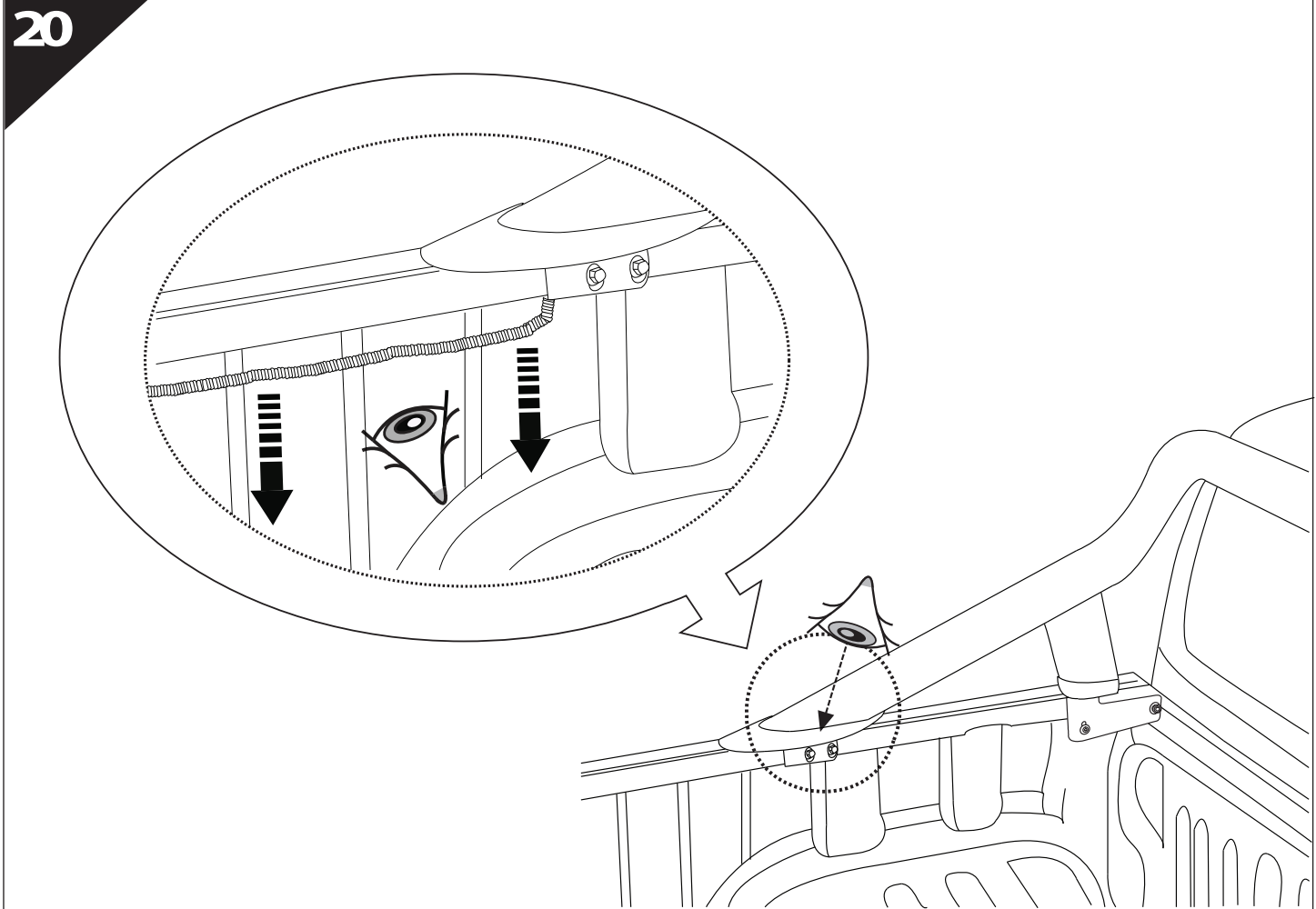


x5

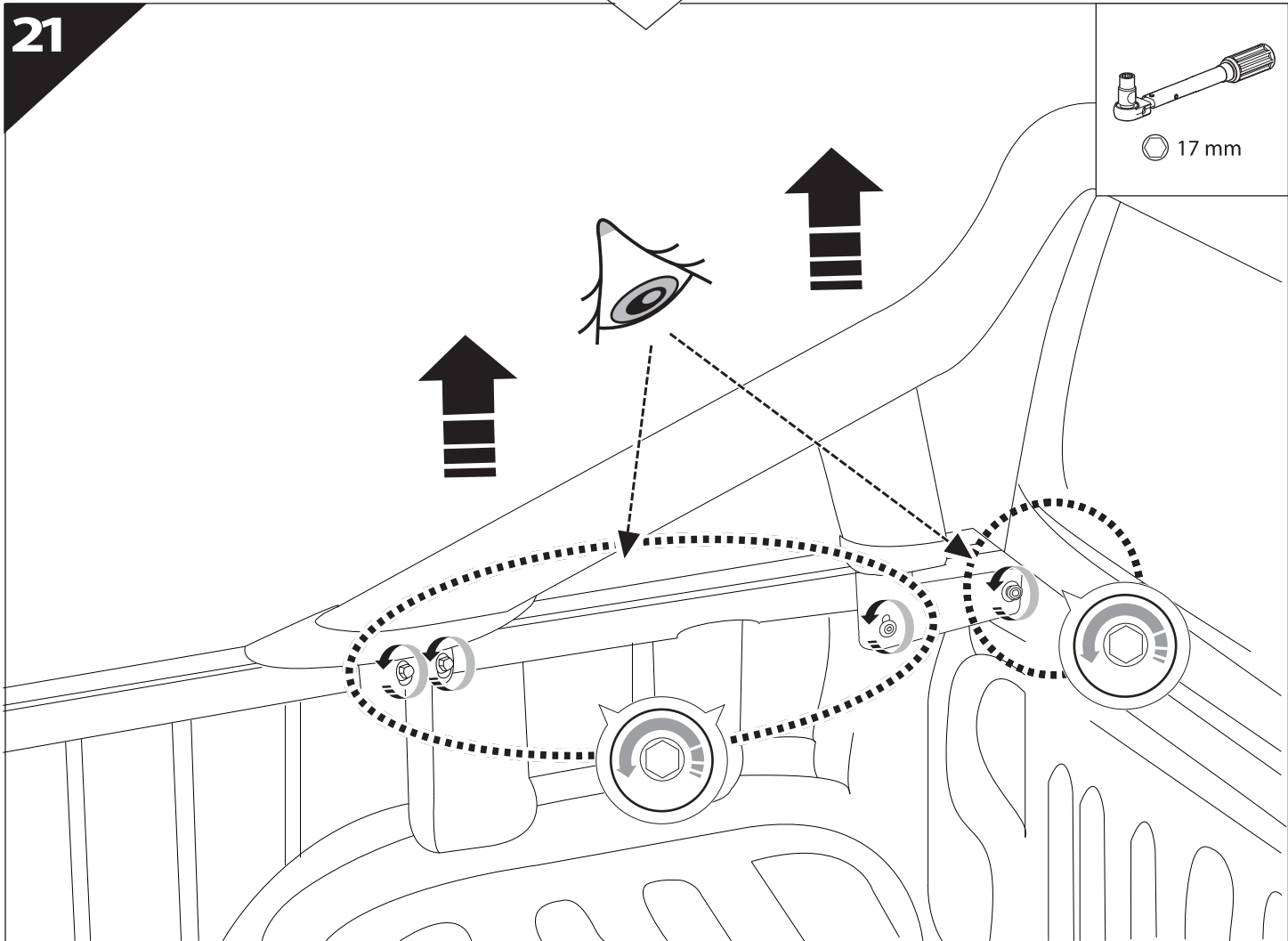


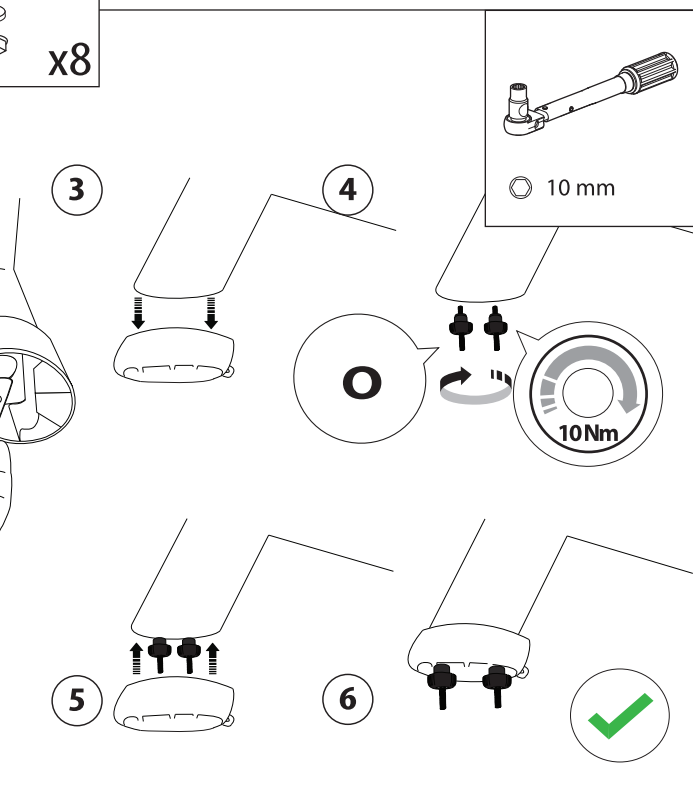
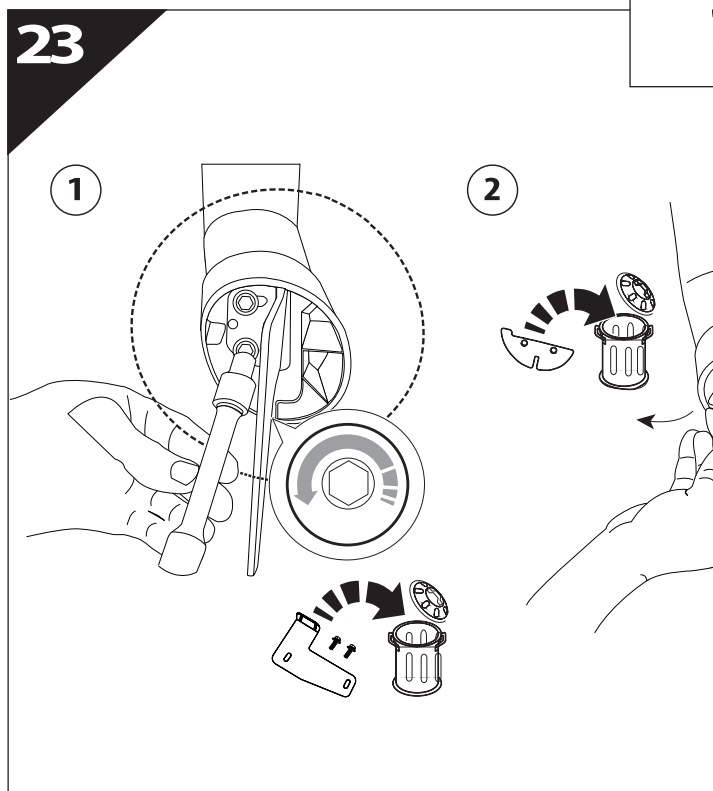
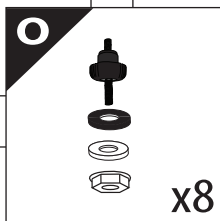
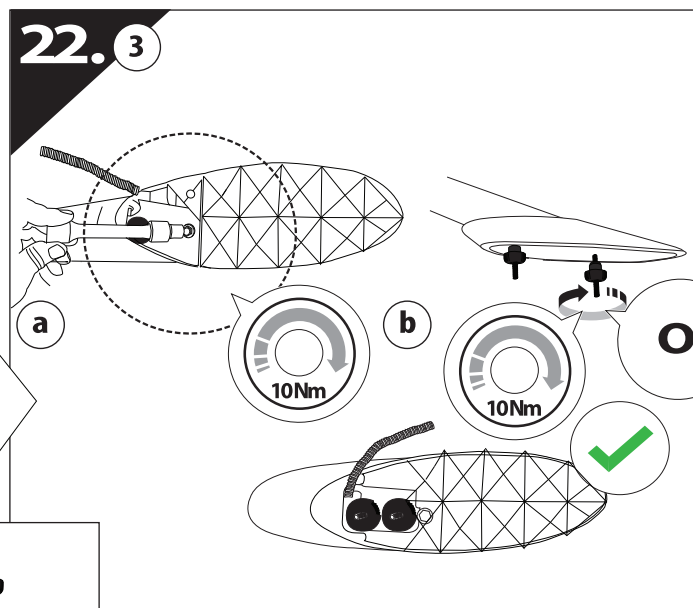
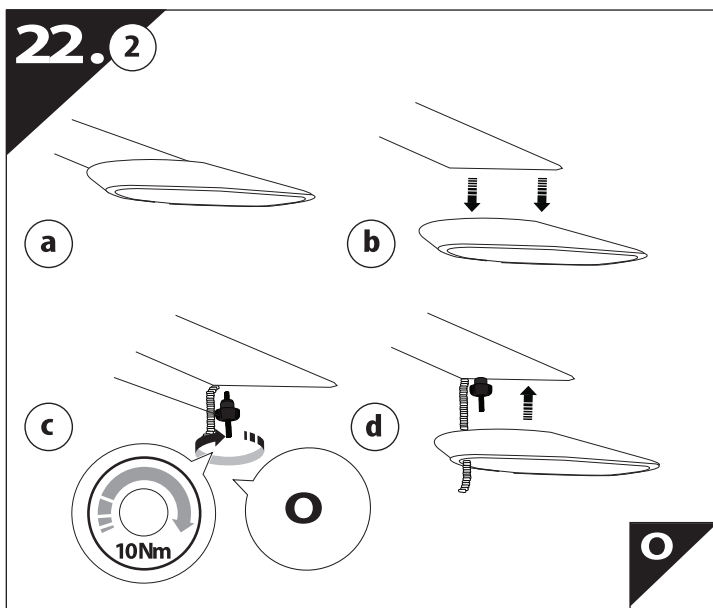
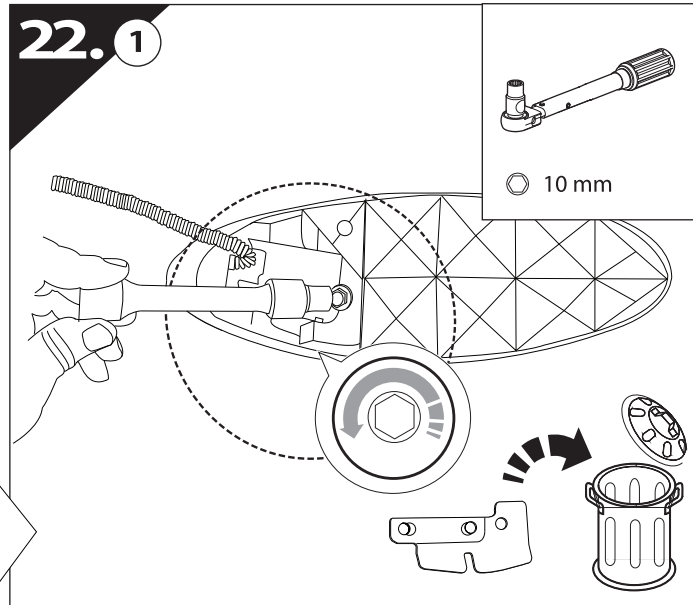
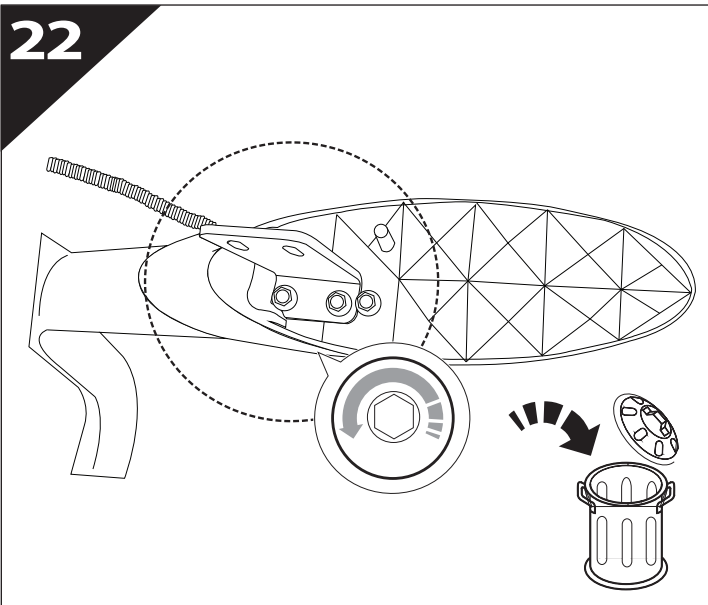


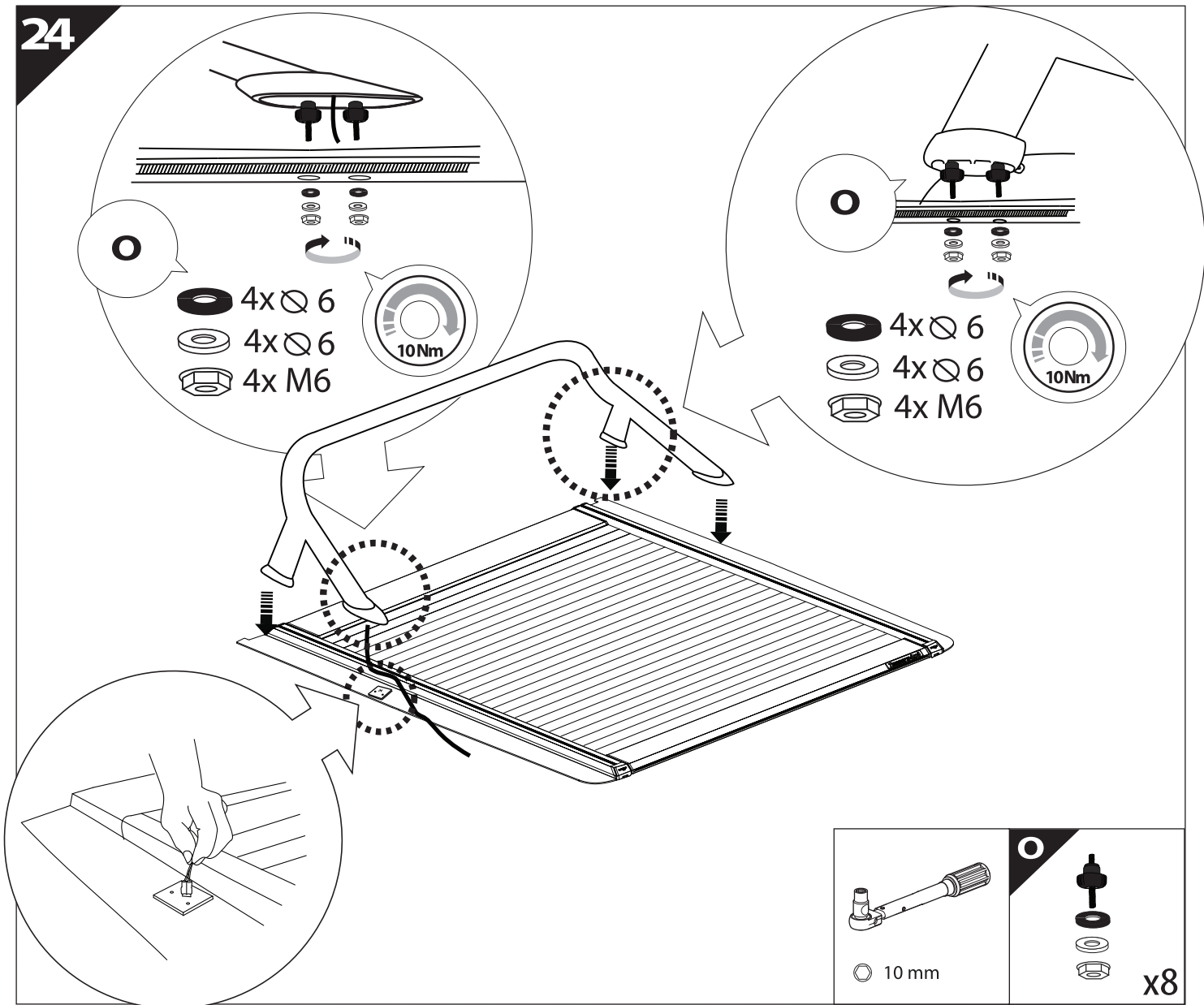
20



21

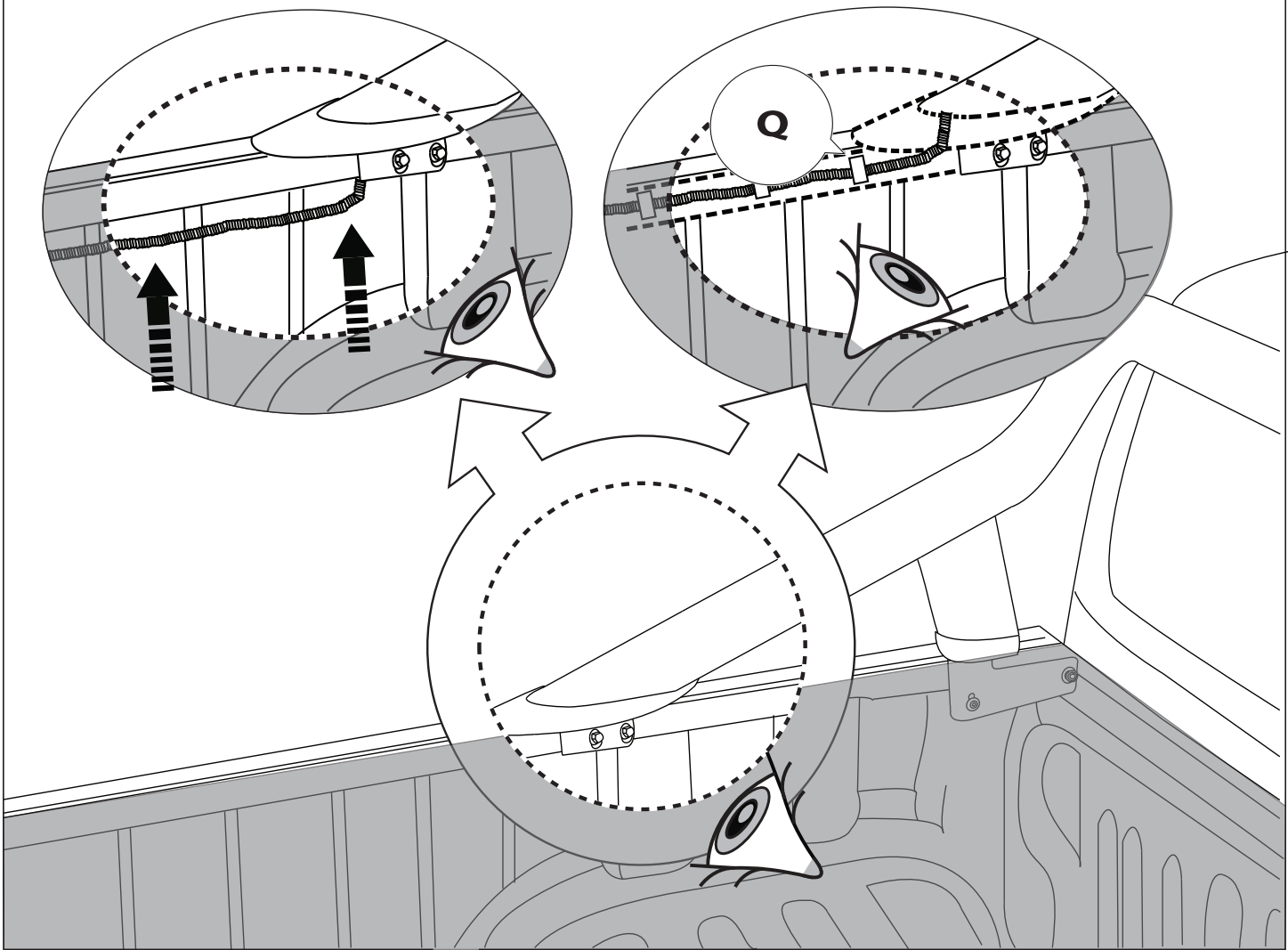
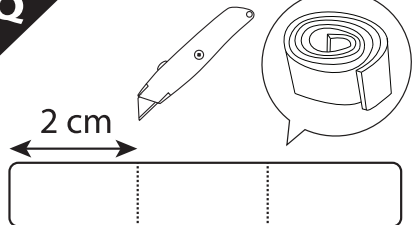




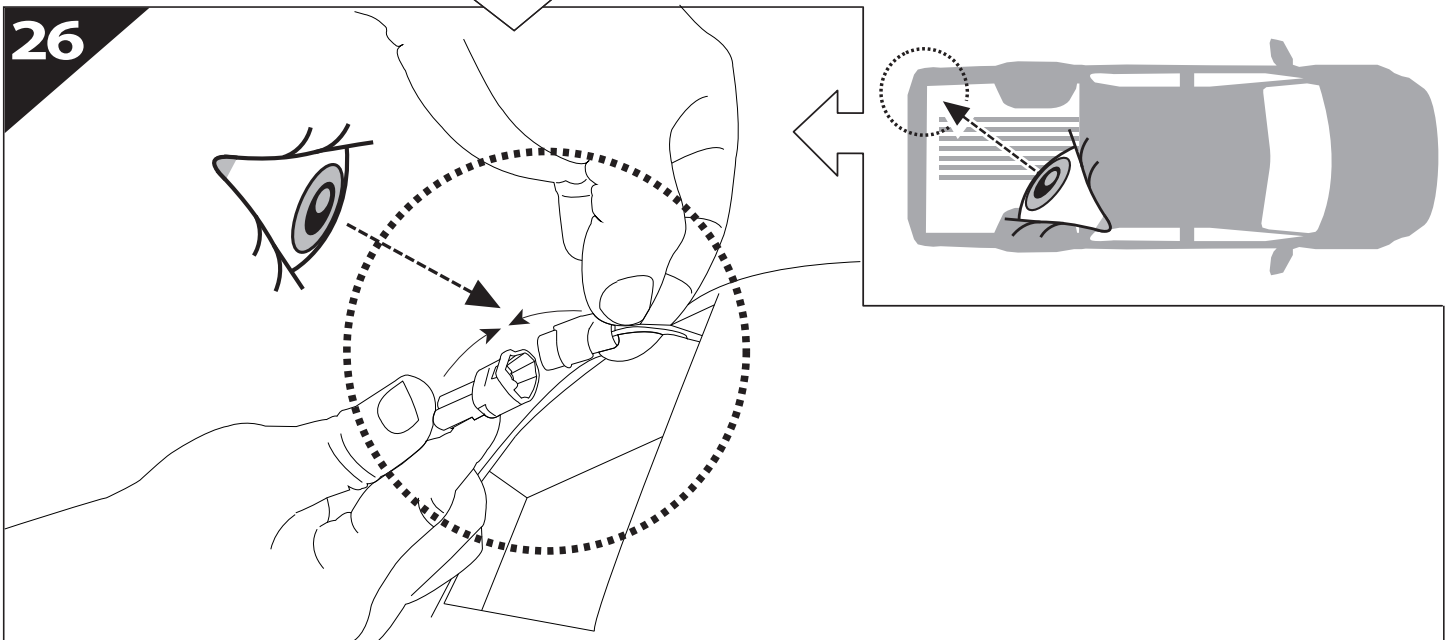


25

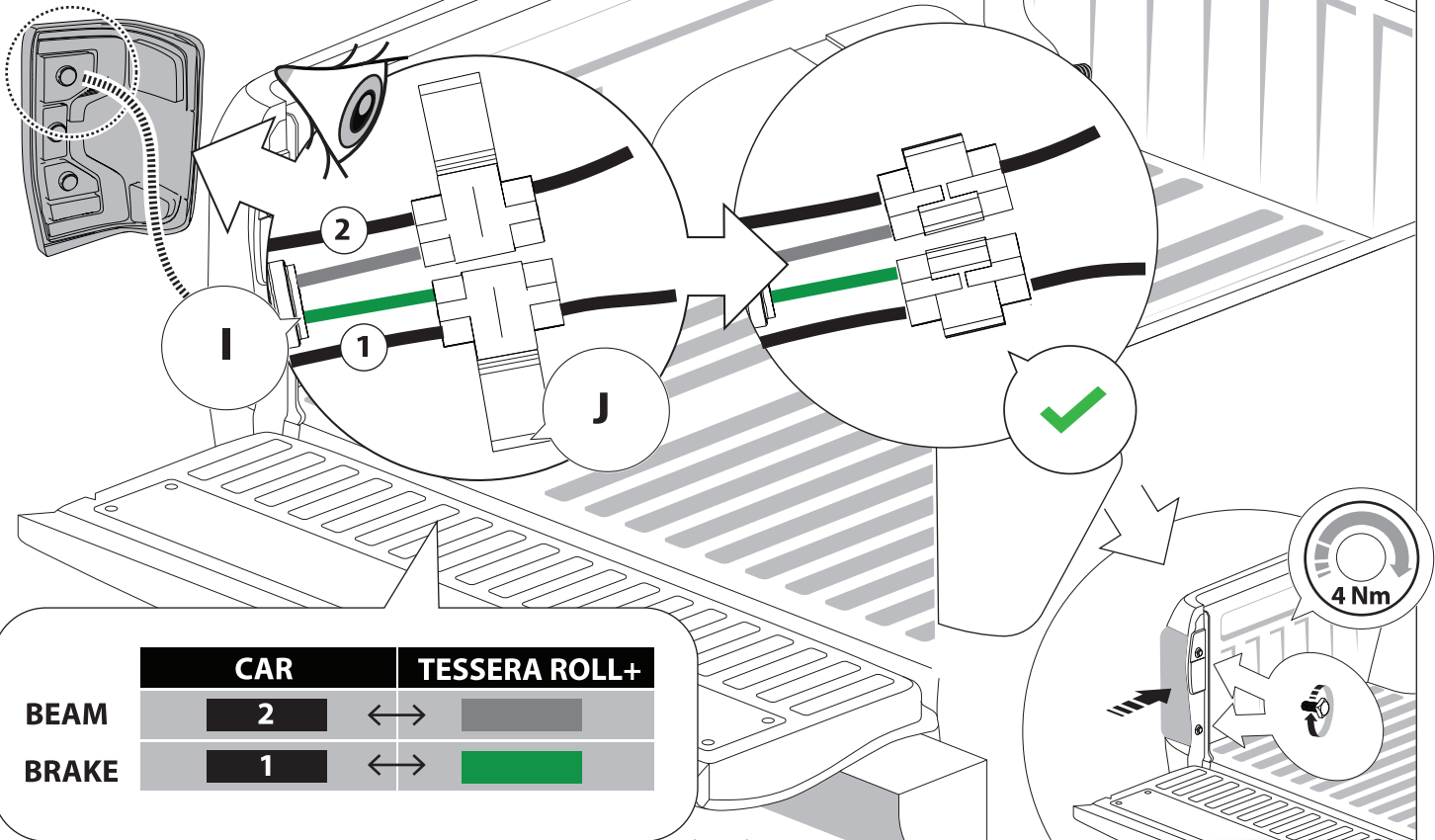
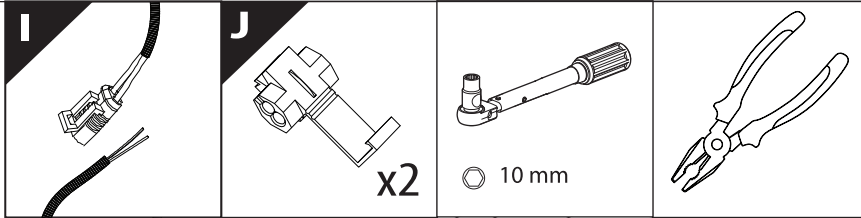
Q



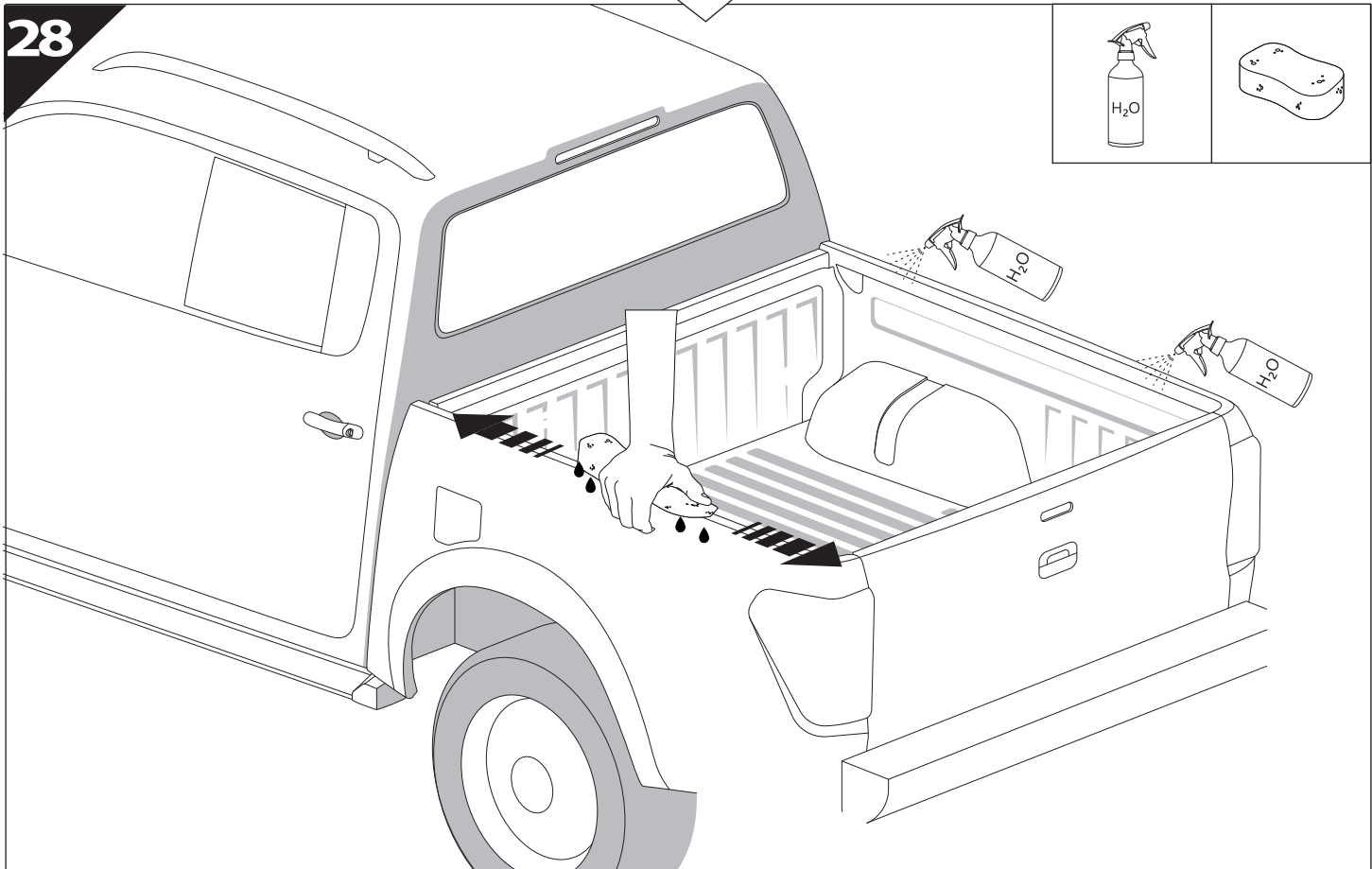
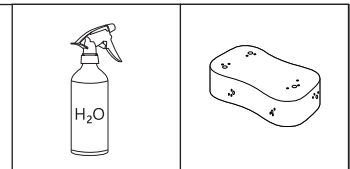
26



27

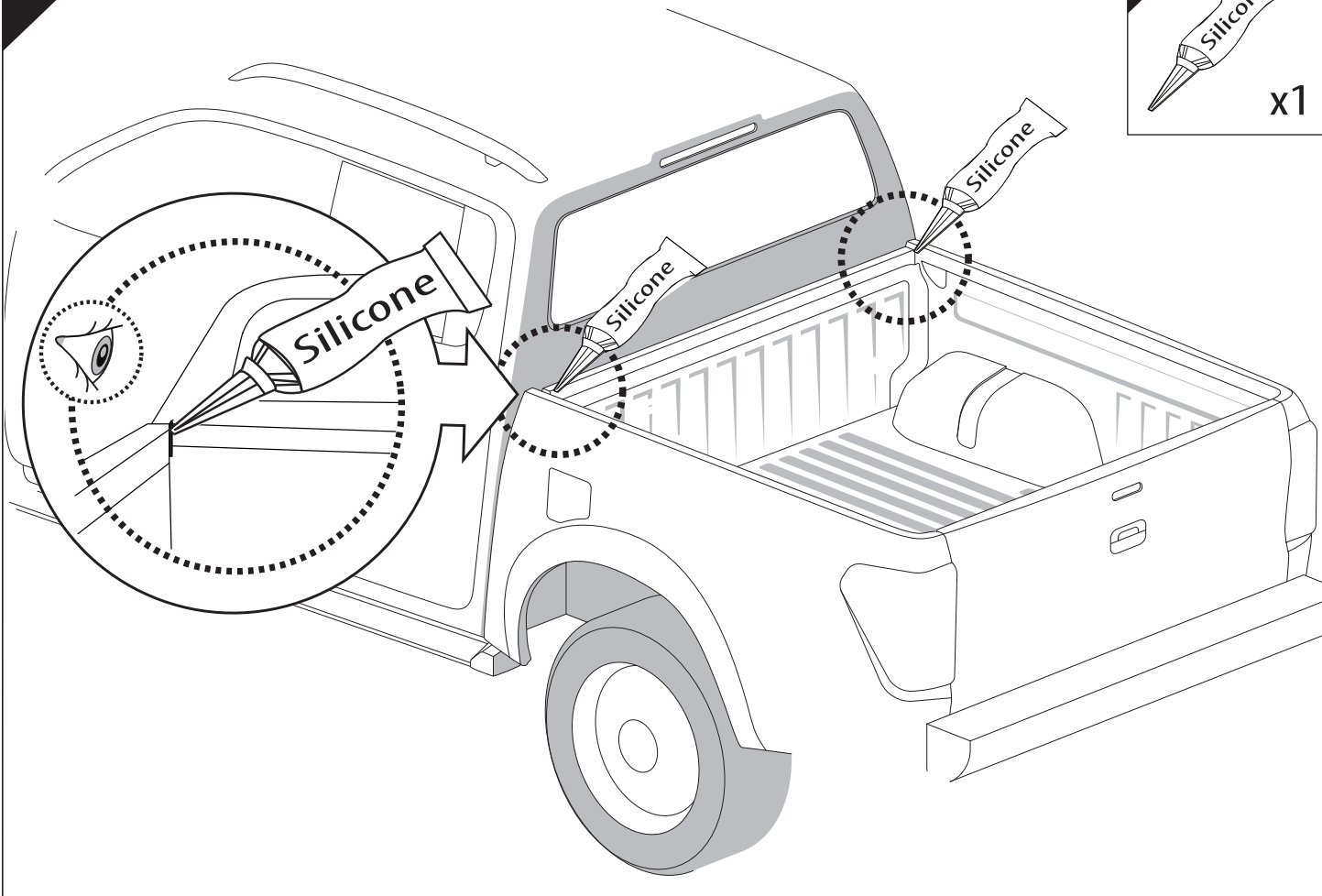


28



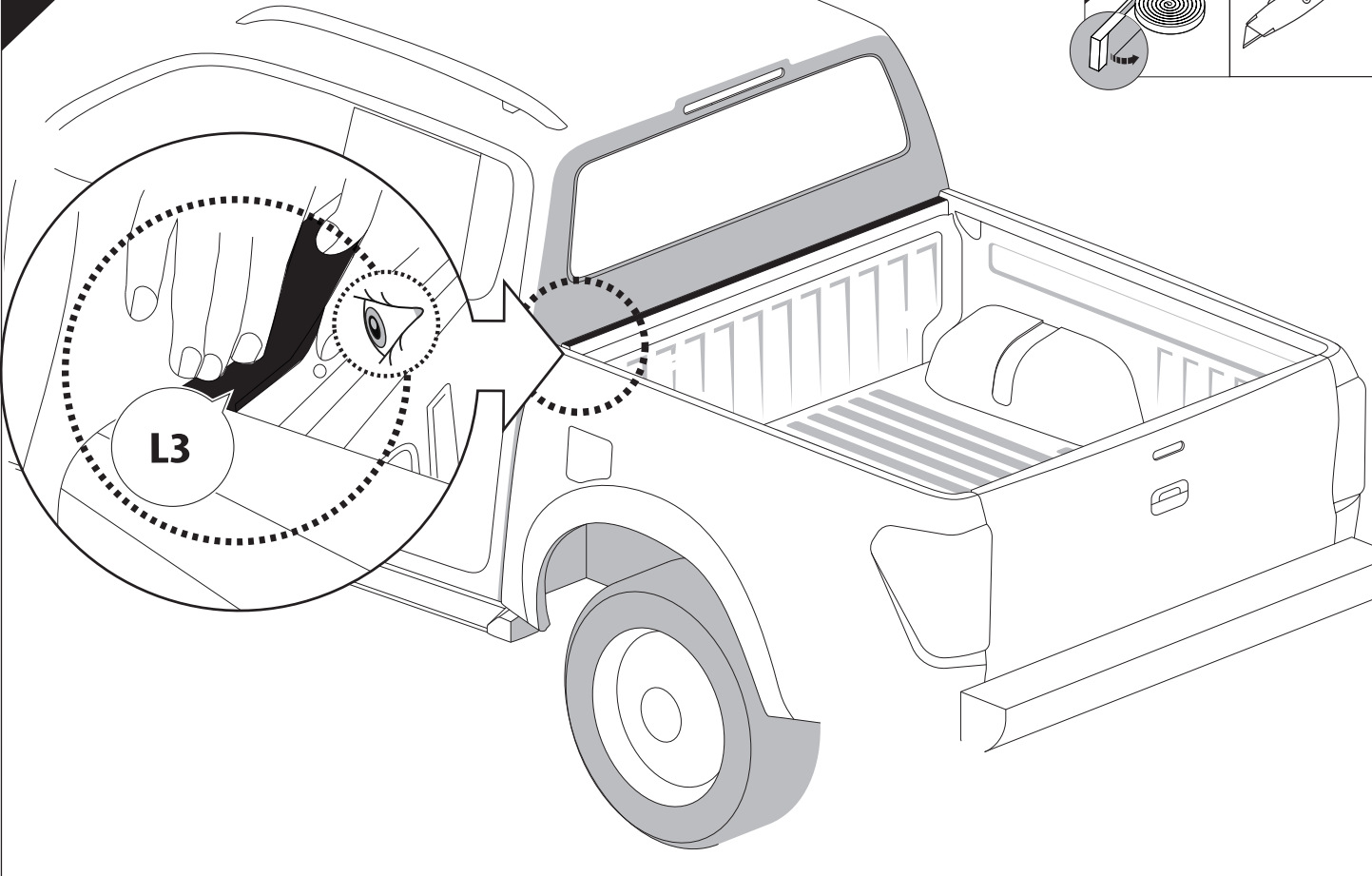
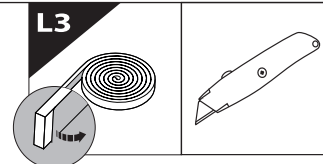
29

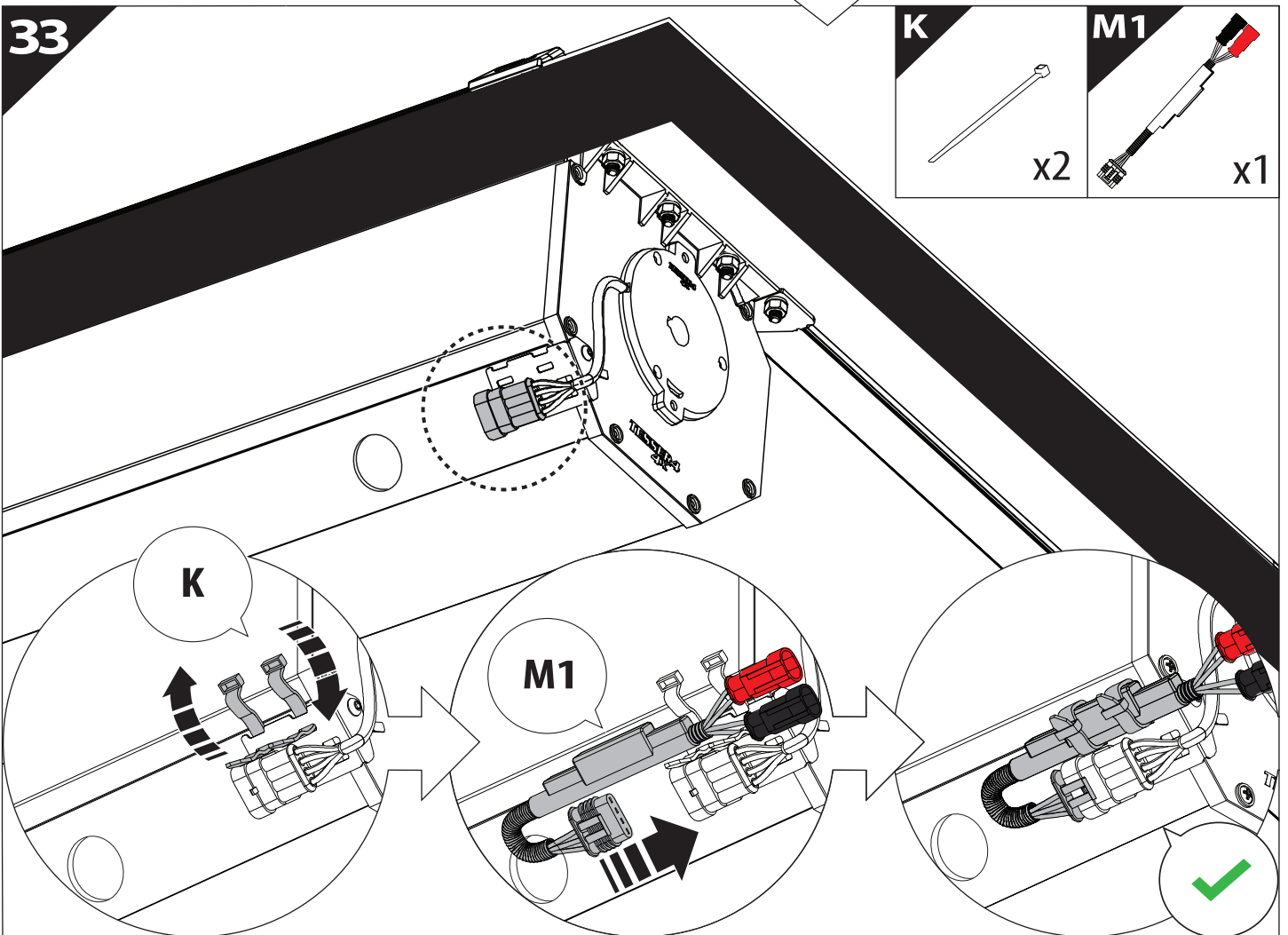
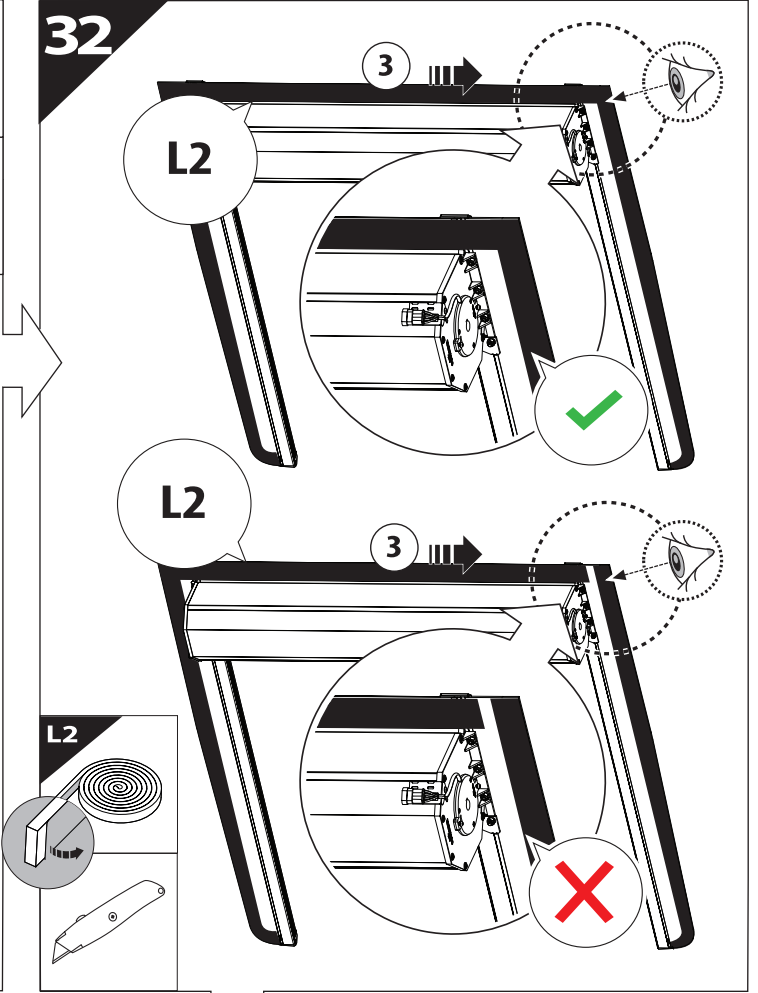
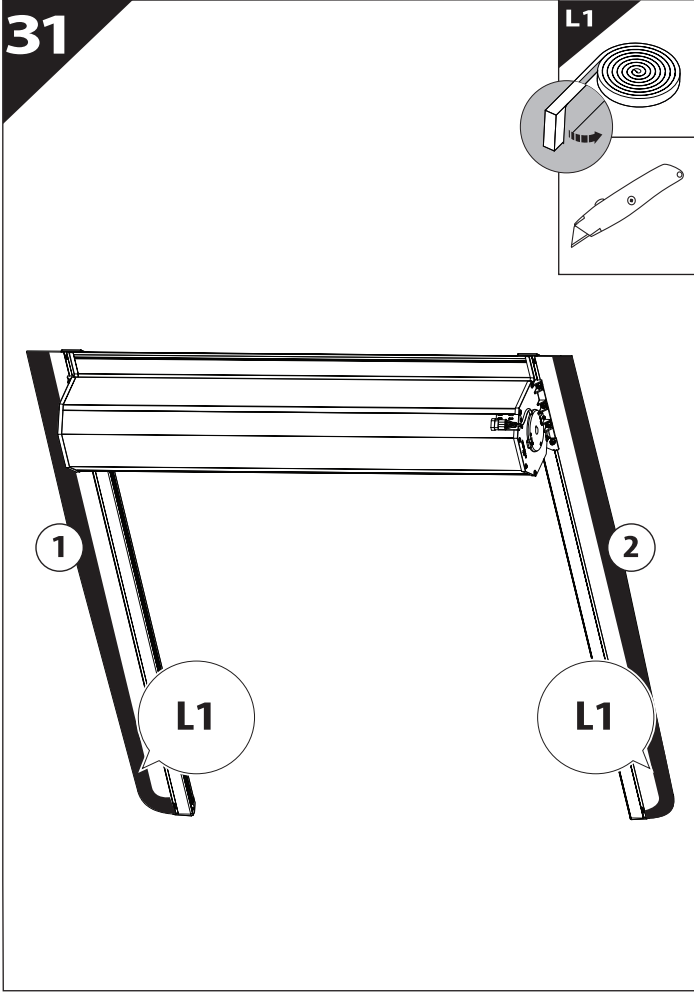
P

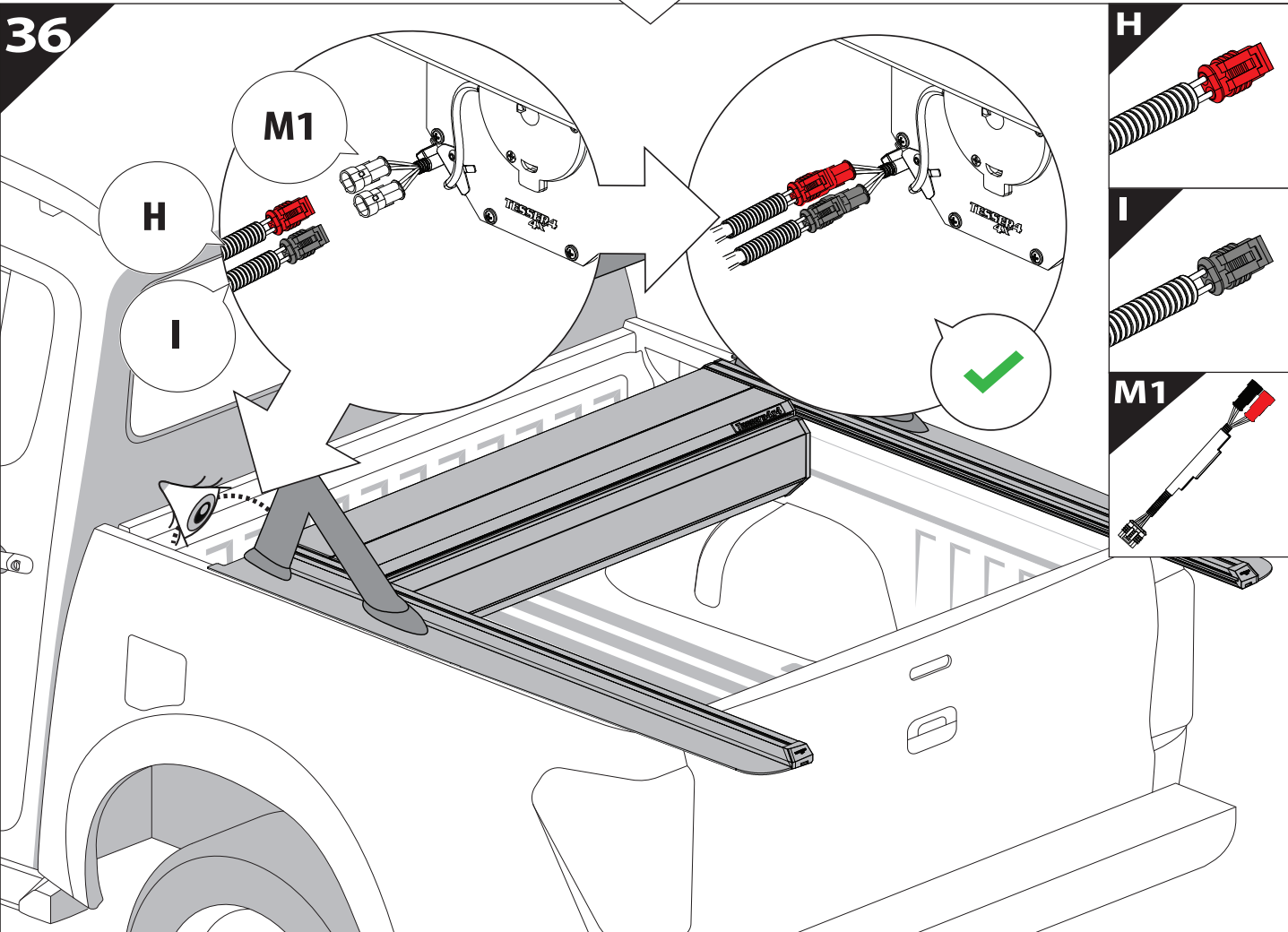
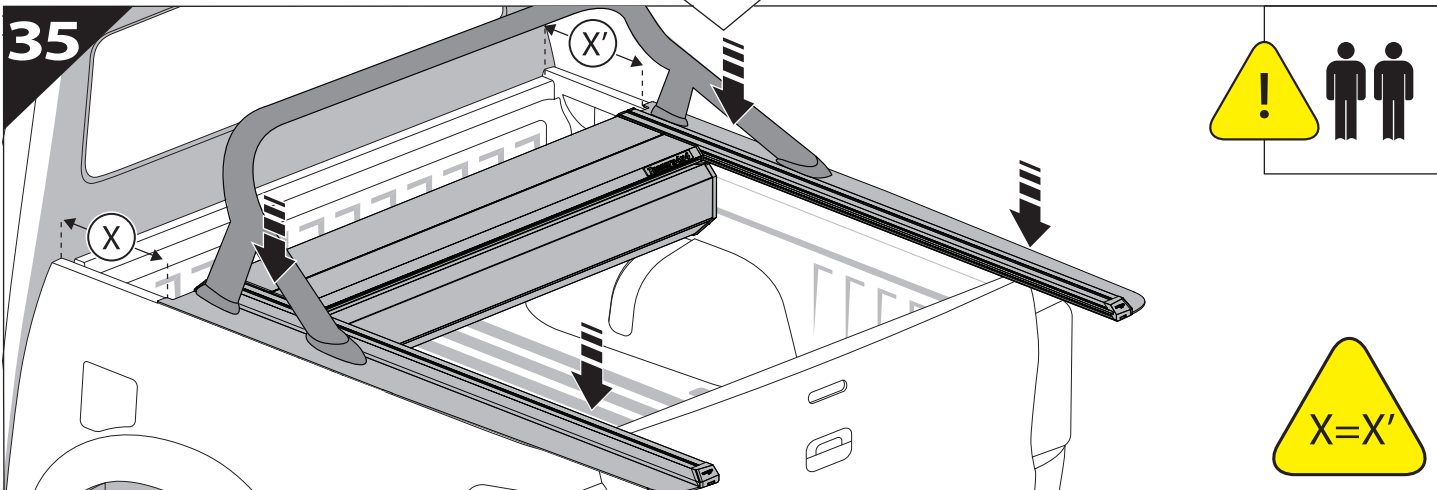
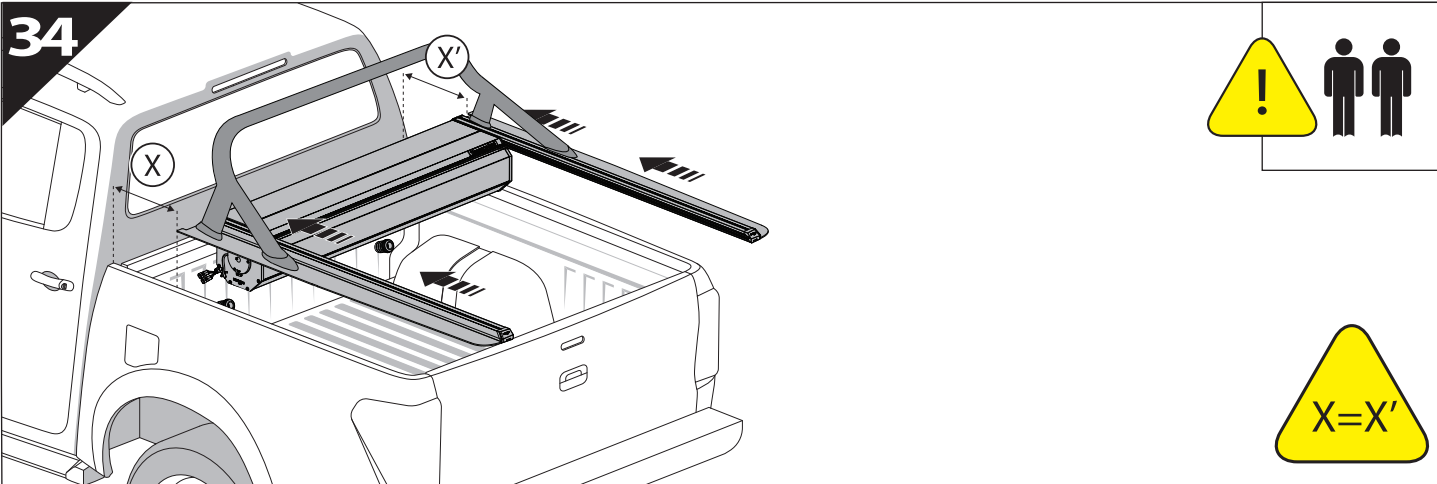


30


L3

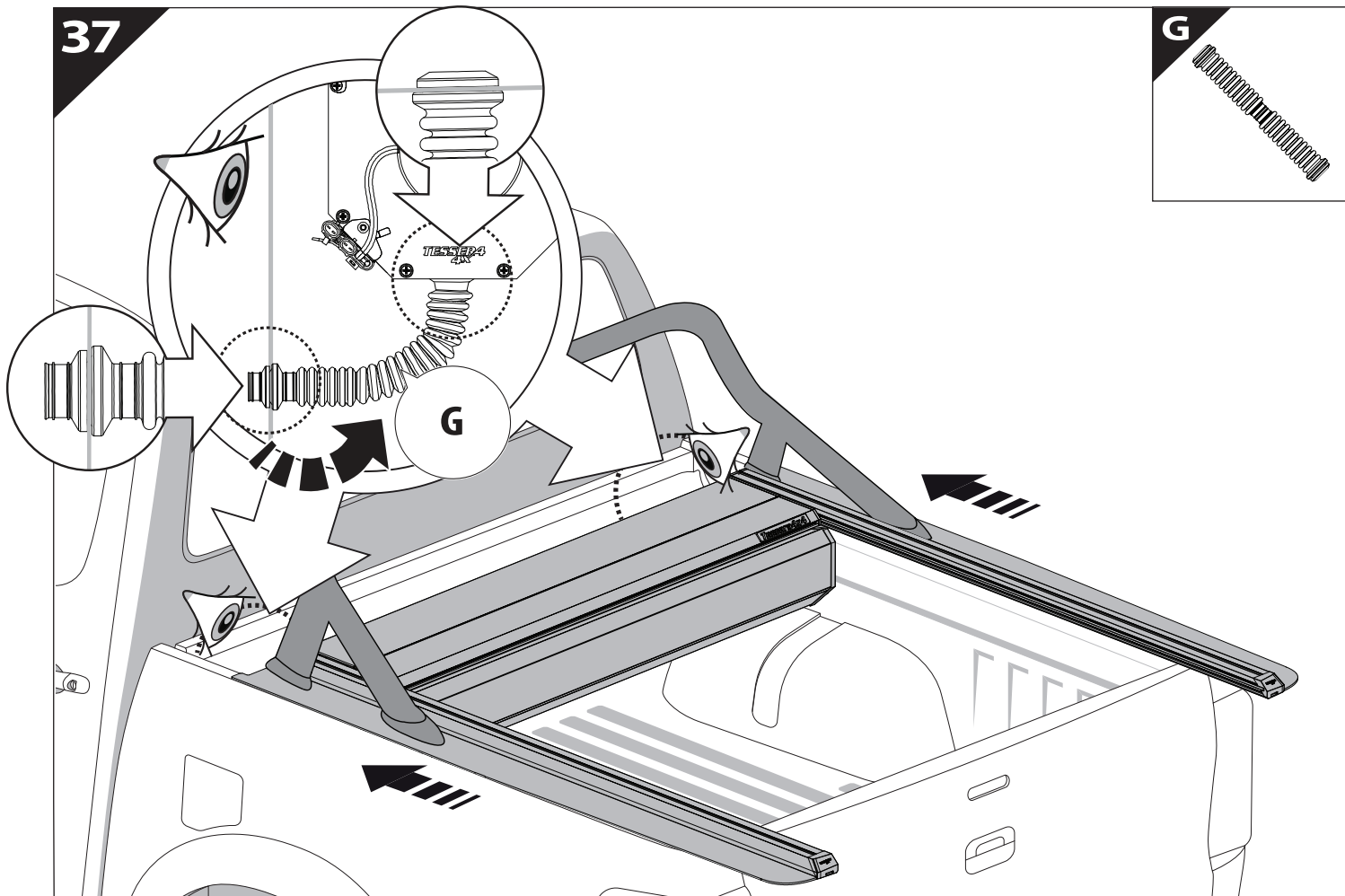




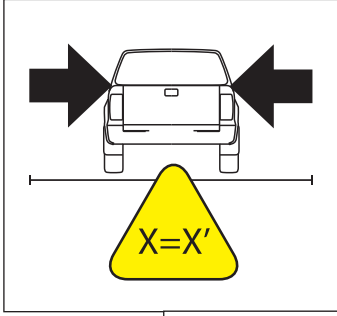
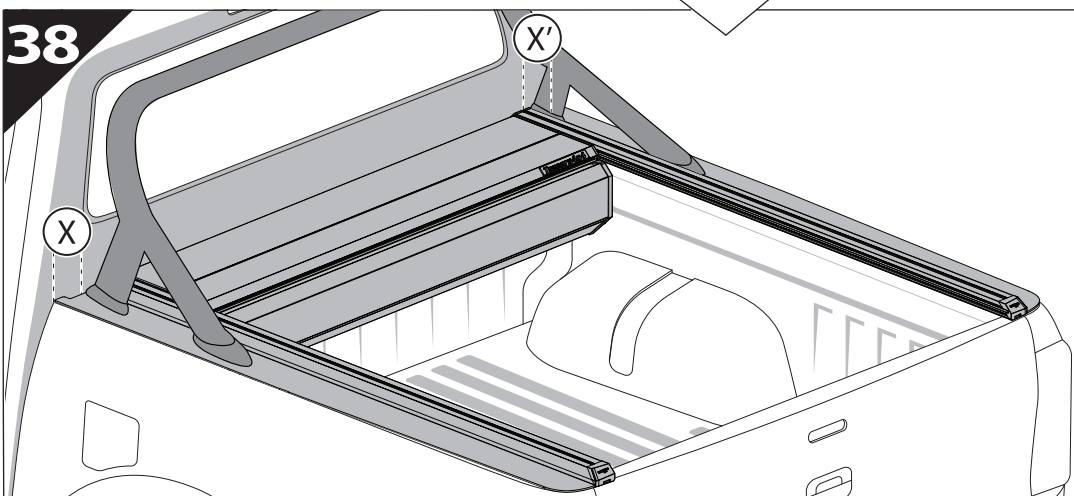


37

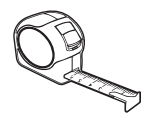
G 



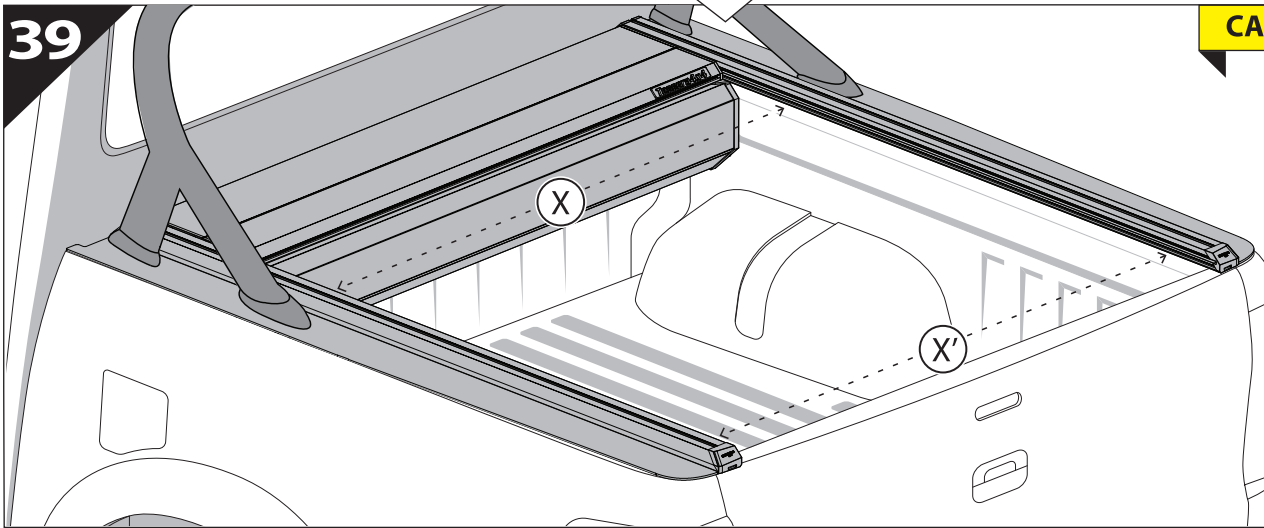
38



X=X'

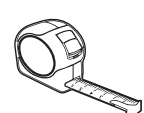


39



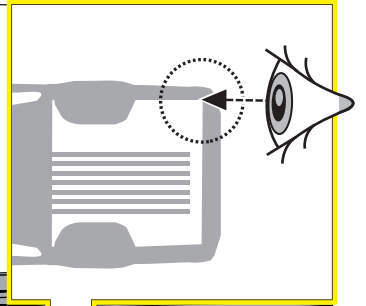
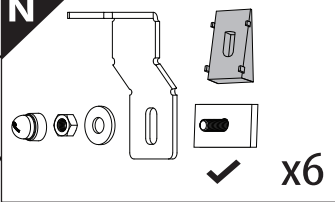
CAUTION 

X=X'

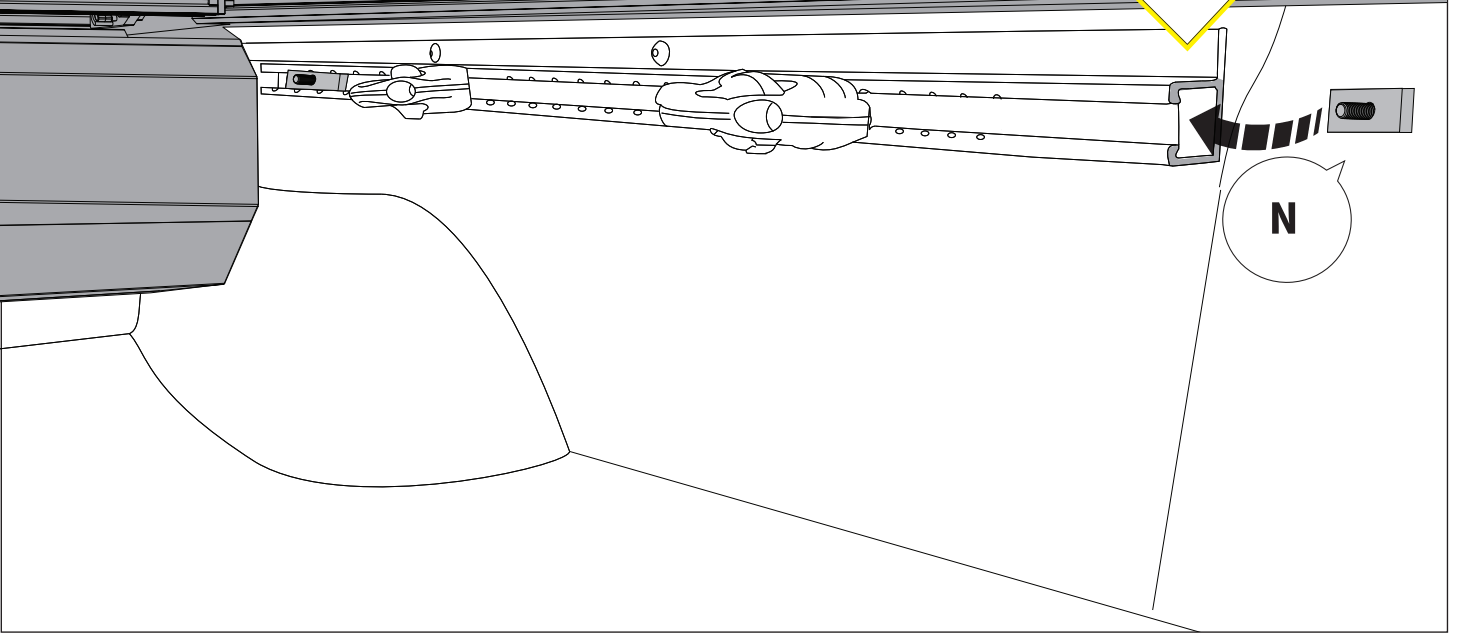


40

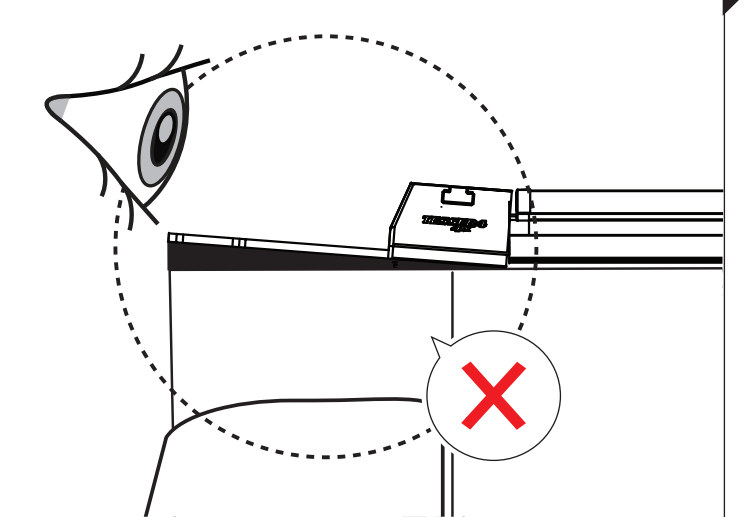
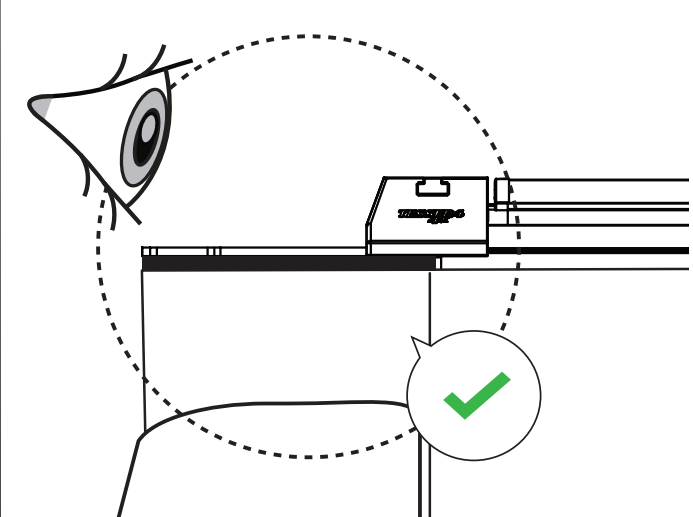
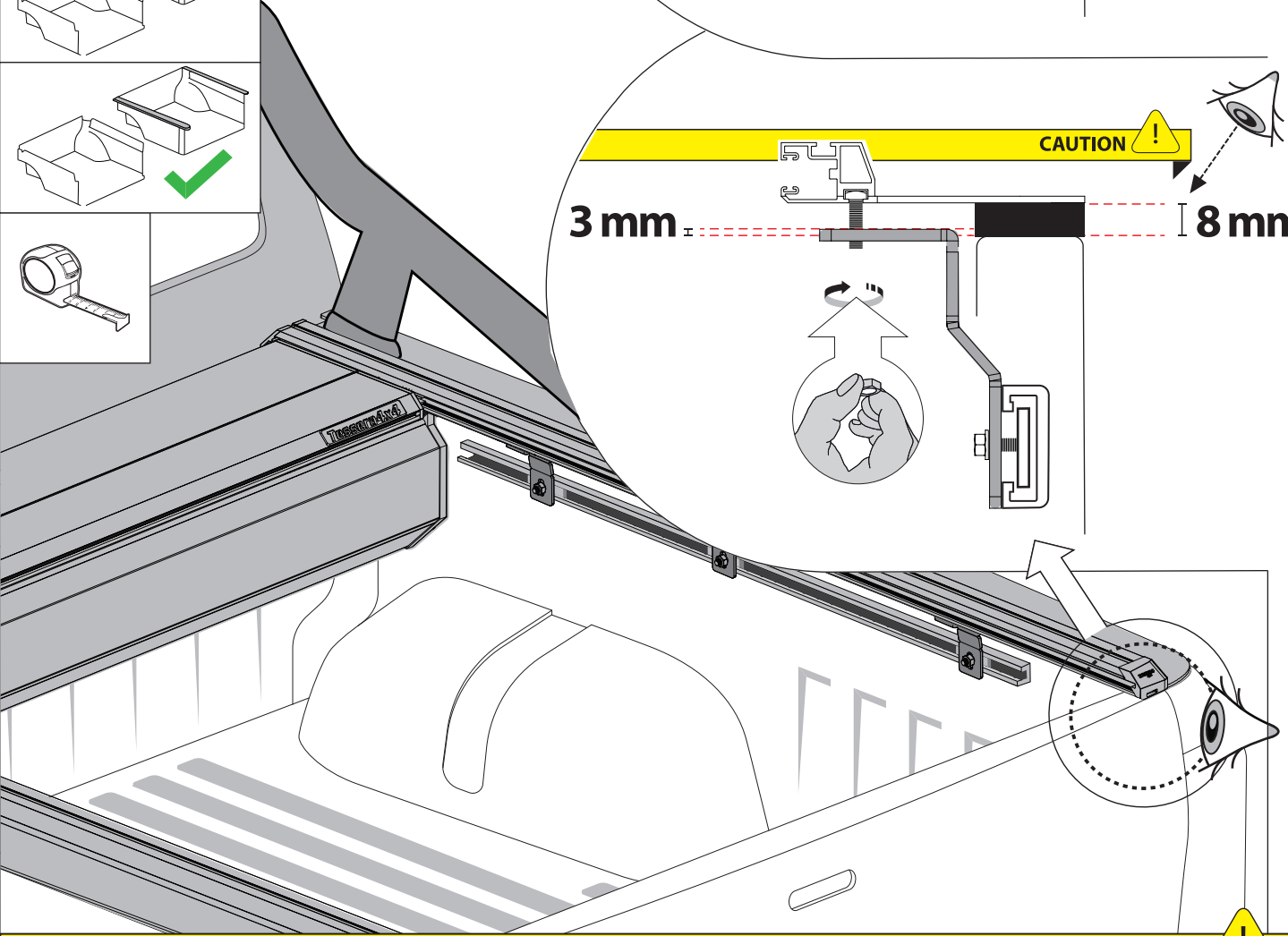
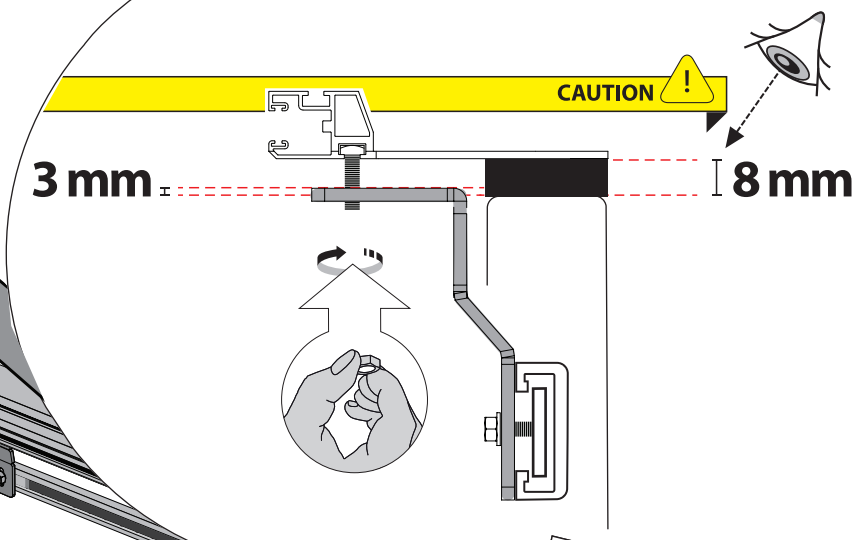
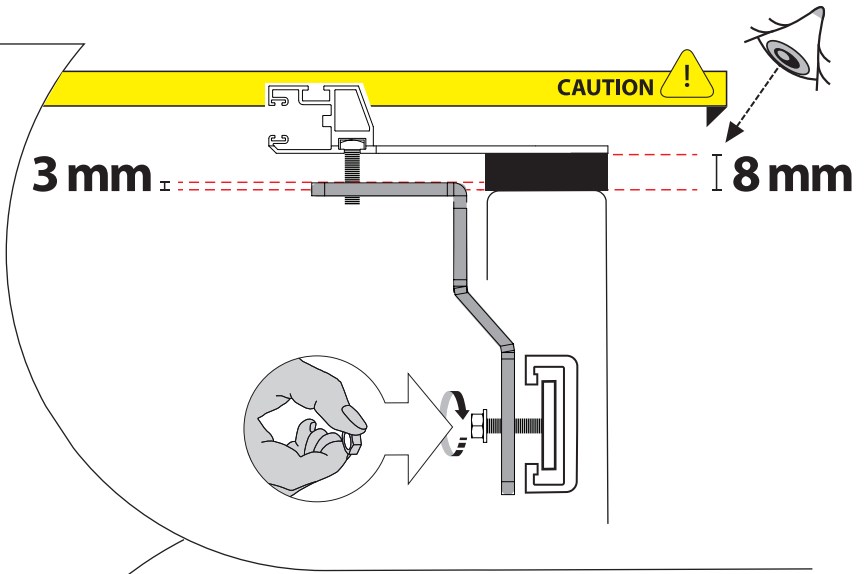
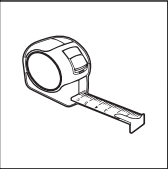
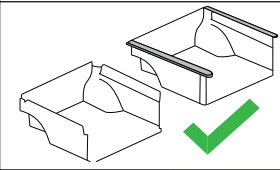
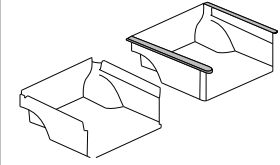
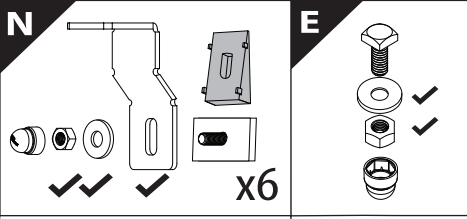
N

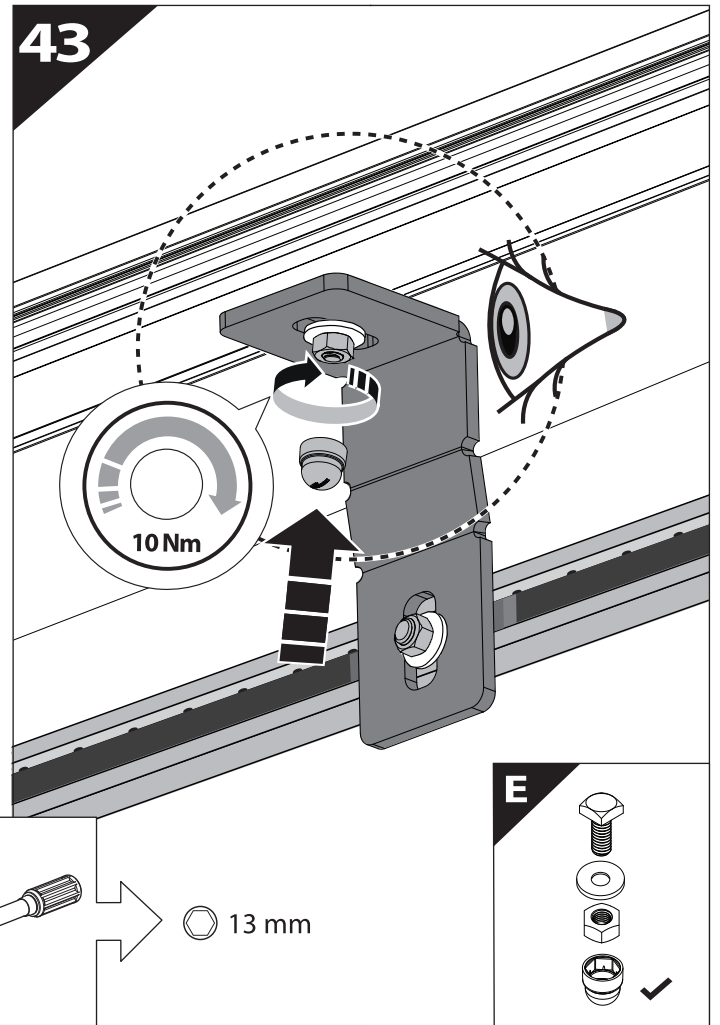
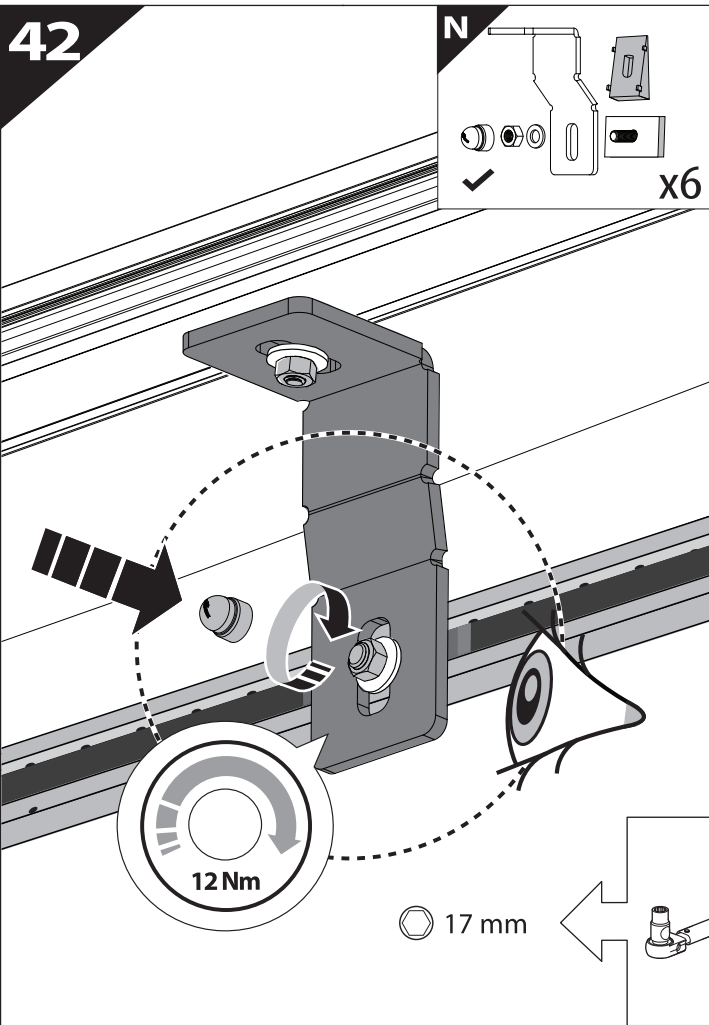


Tessera 4x4

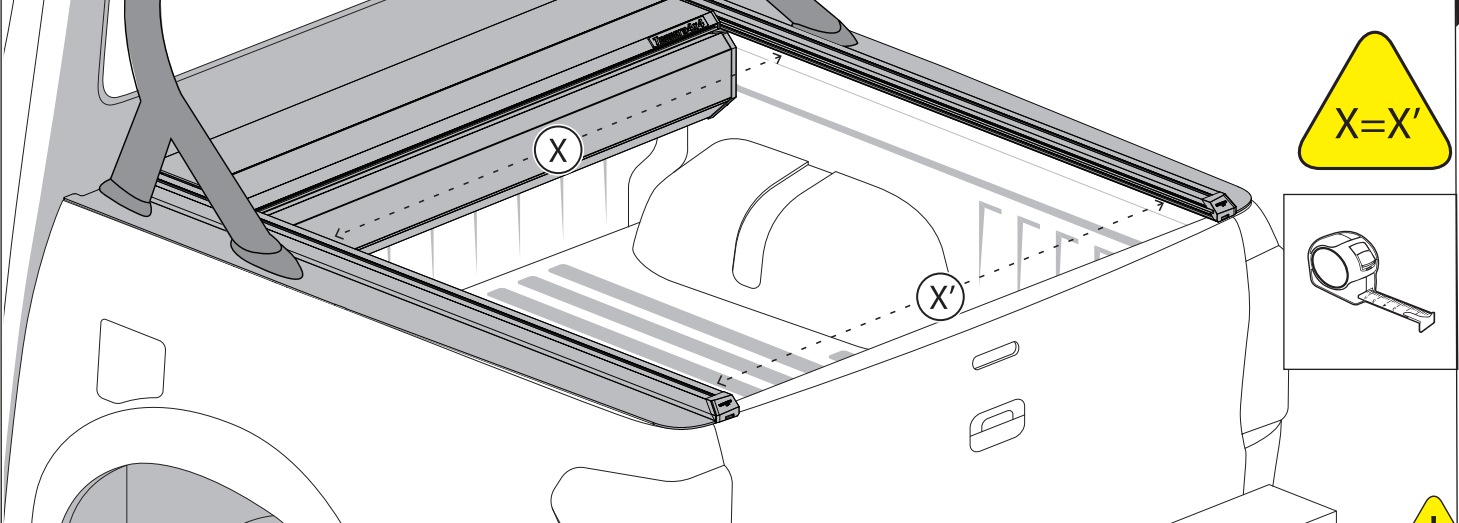


41

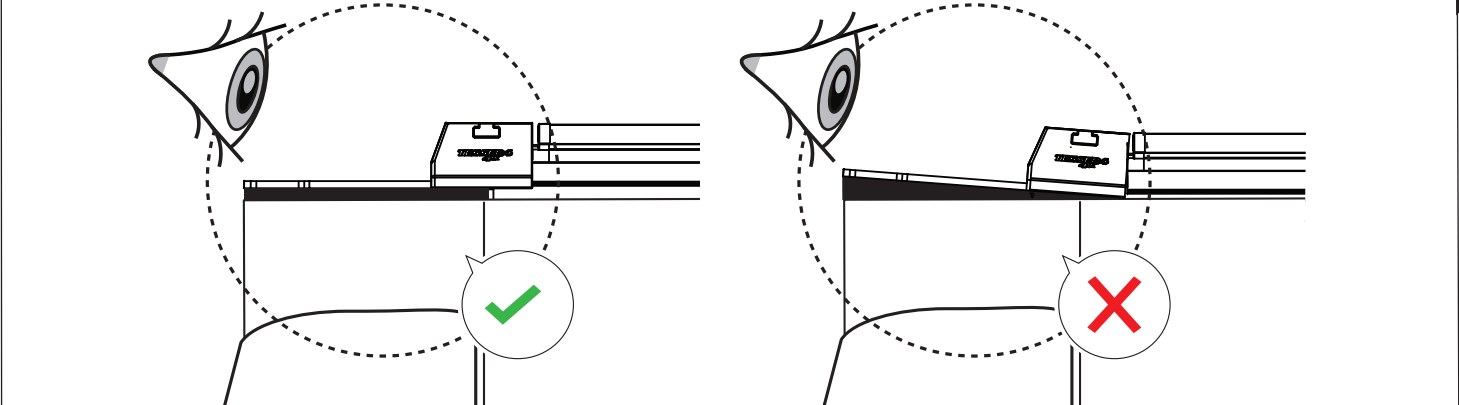




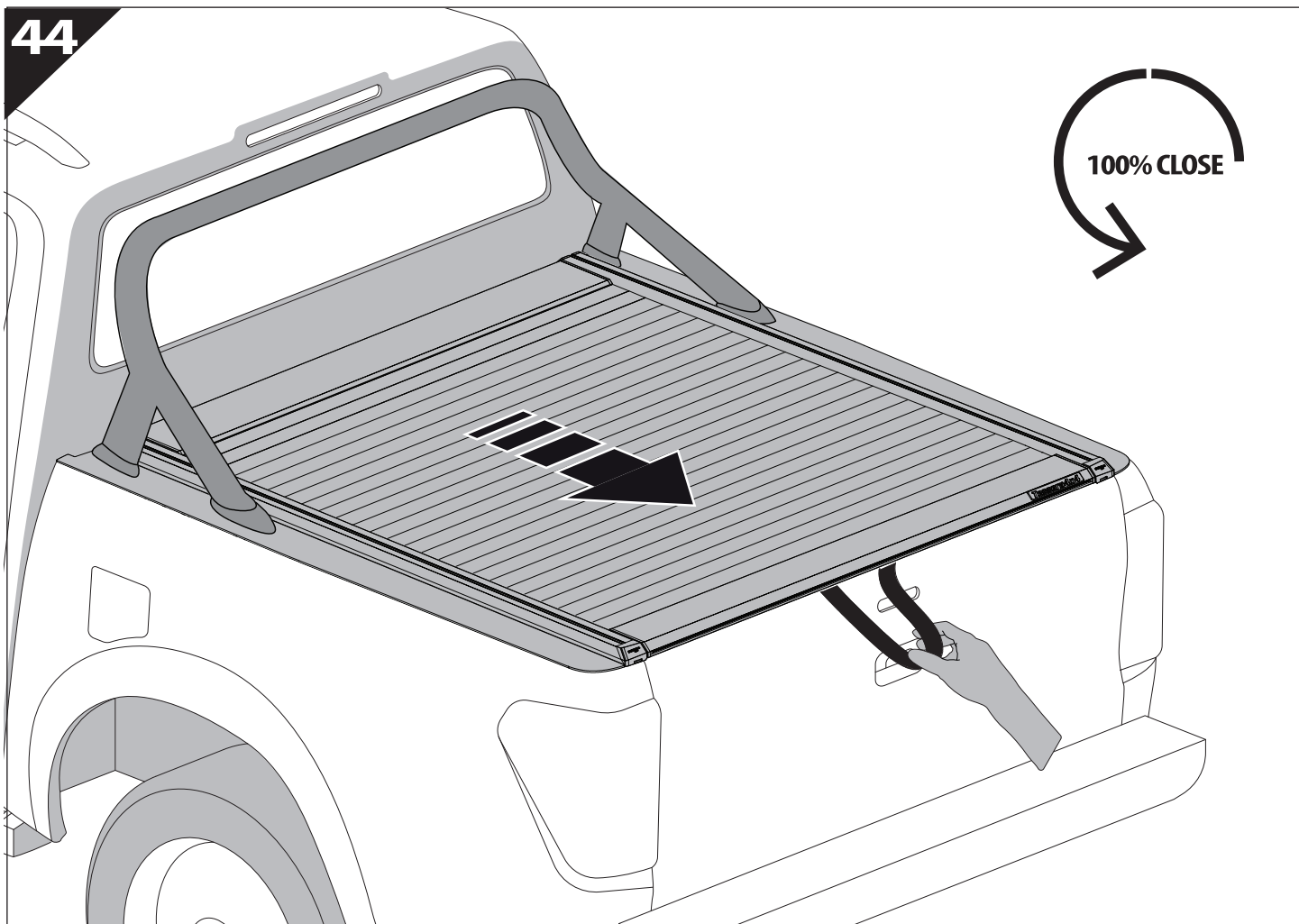
**CAUTION !**



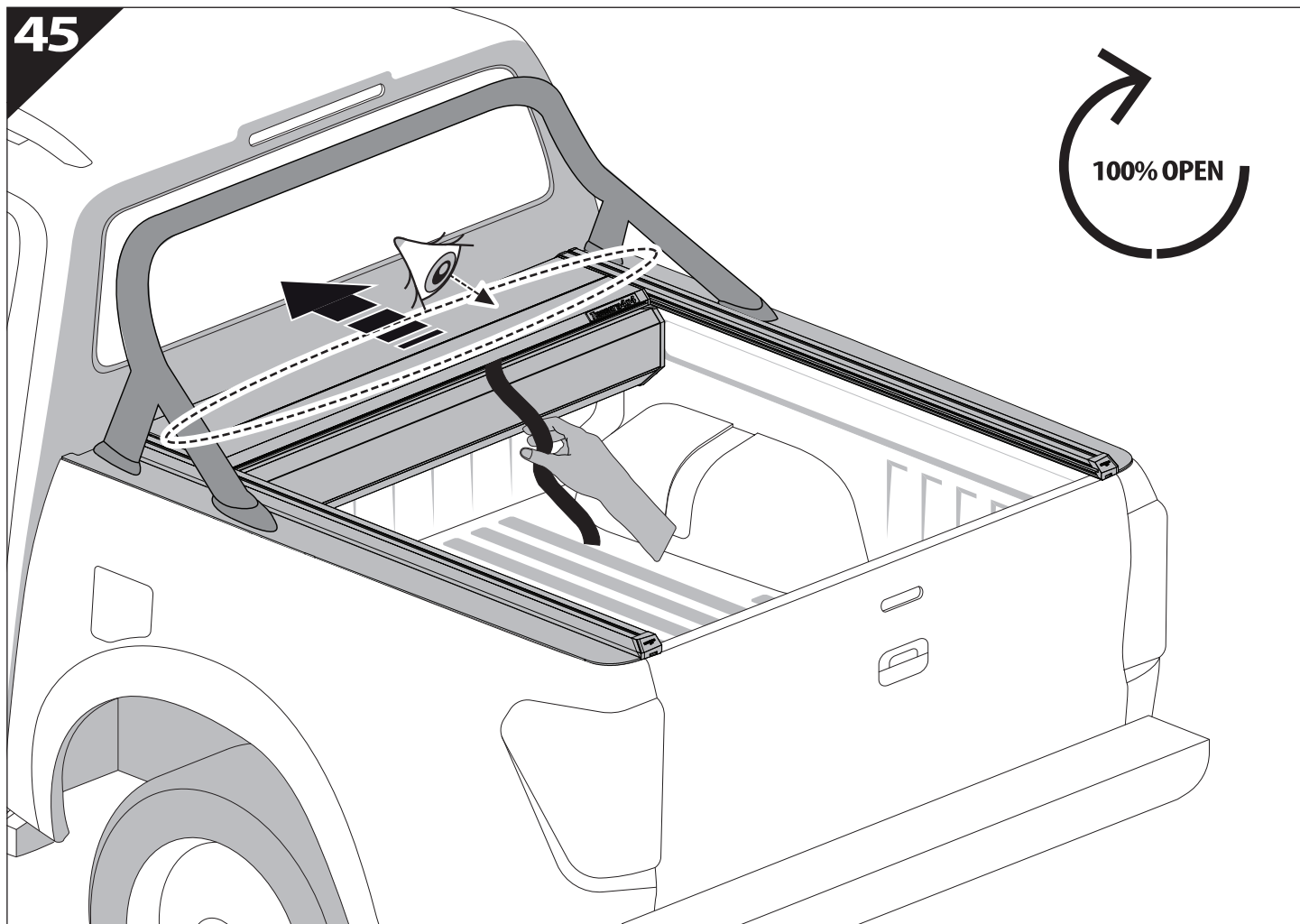
**CAUTION !**



44



45





**GR:** Οδηγίες Εγκατάστασης  
**GB:** Installation manual  
**SF:** Asennusohje  
**F:** Notice de montage  
**PL:** Instrukcja montażu  
**NL:** Installatie-instructies  
**TR:** Montaj Talimatı  
**S:** Monteringsanvisning  
**E:** Instrucciones de montaje

**H:** Szerelési utasítás  
**P:** Instruções de instalação  
**RUS:** Инструкция по установке  
**N:** Monteringsveiledning  
**D:** Einbauanleitung  
**CZ:** Návod k instalaci  
**I:** Istruzioni de montaggio  
**DK:** Monteringsvejledning  
**RO:** Instructiuni de instalare

Customer Service:

+30 (210) 5541161, +30 (210) 5541154 (08:00 - 16:00 EET)

Support department:

[info@gianso.gr](mailto:info@gianso.gr)

Website:

[www.tessera4x4.com](http://www.tessera4x4.com)

Address:

19.5 km of National road Athens-Korinthos (Elefsina) Greece, P.C: 19200