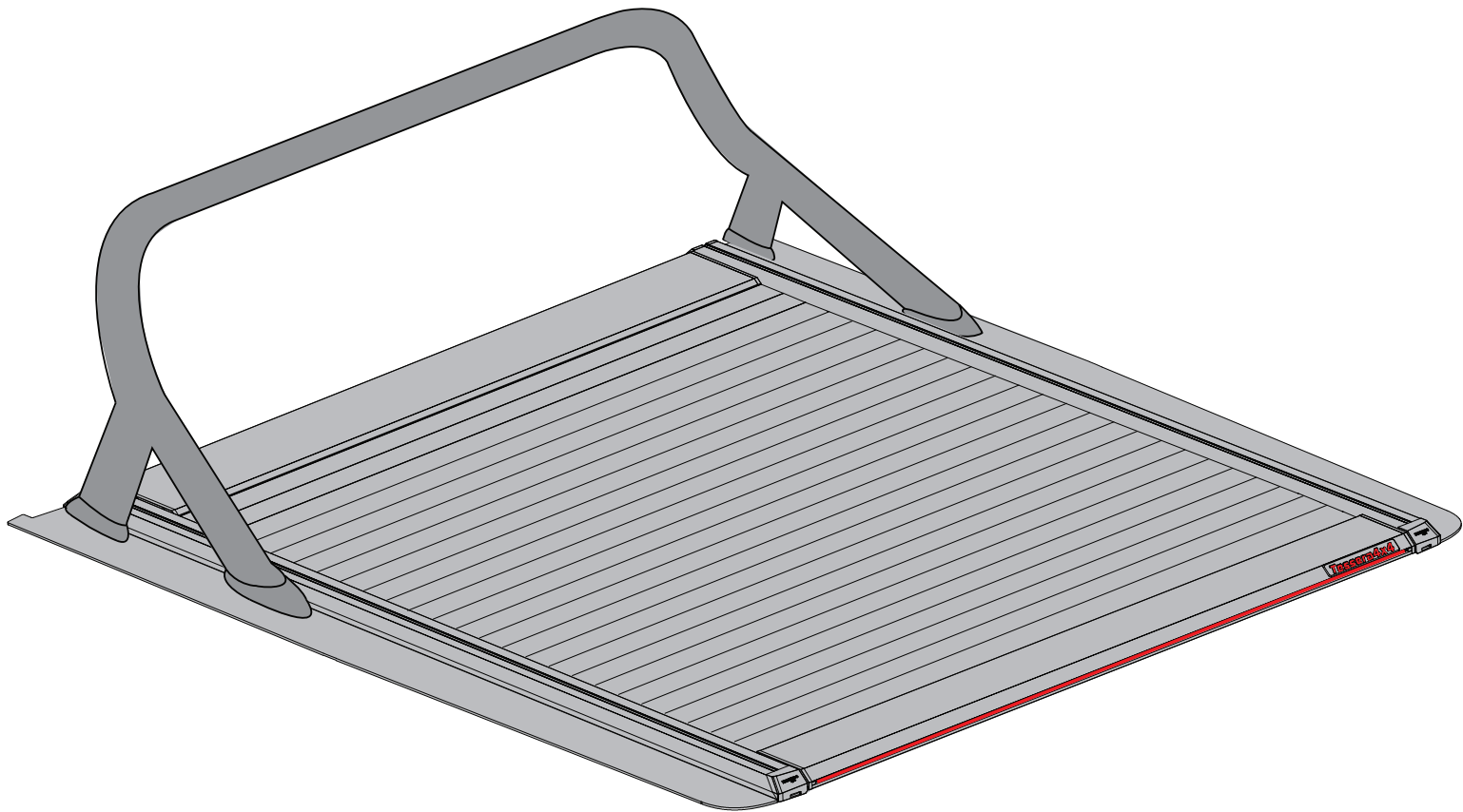


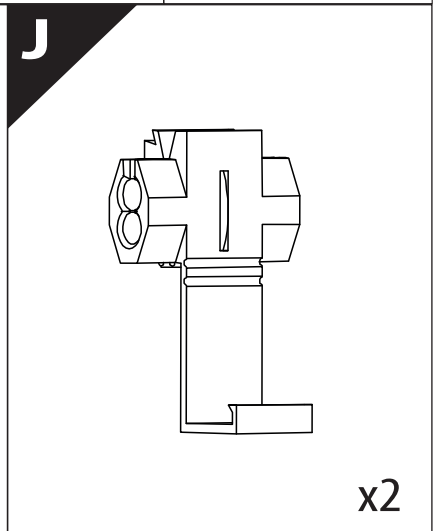
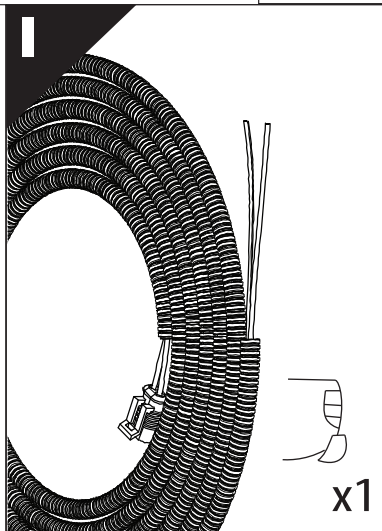
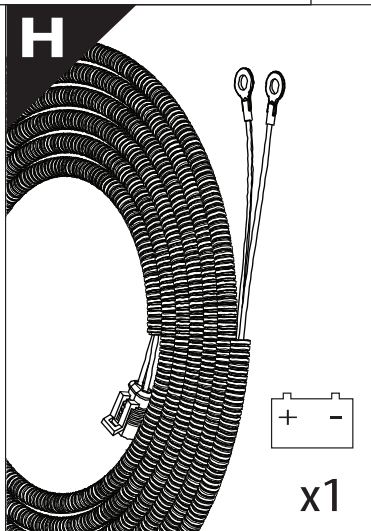
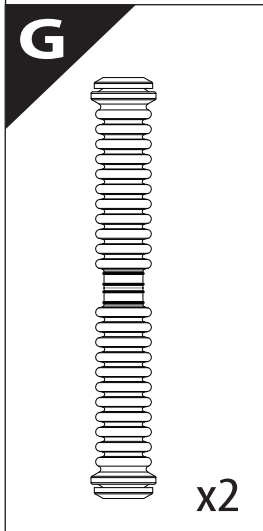
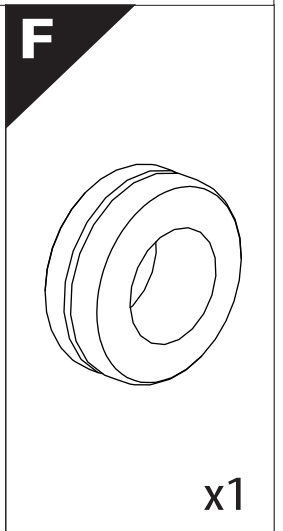
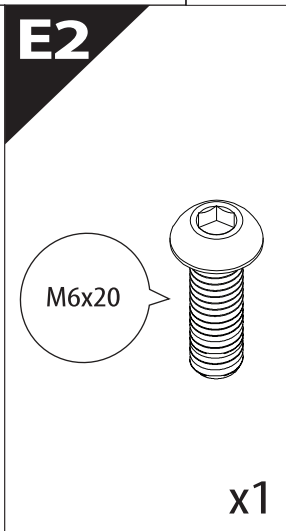
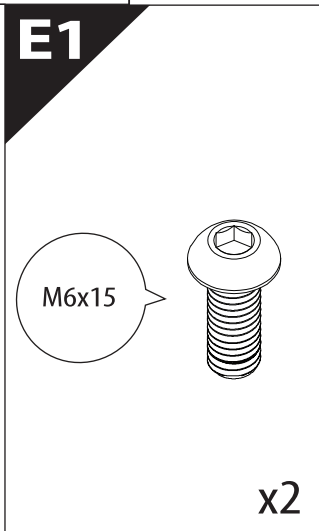
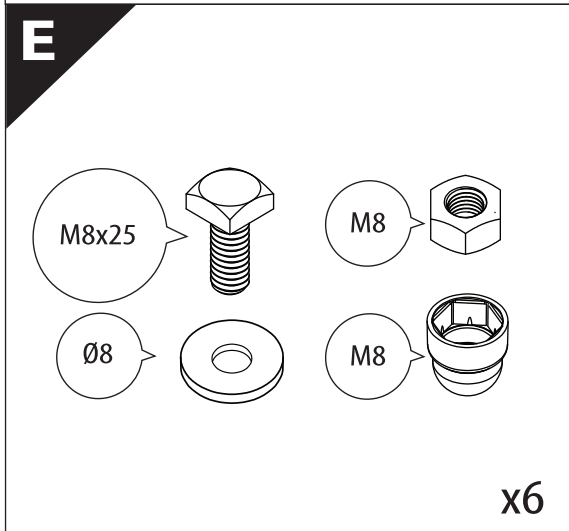
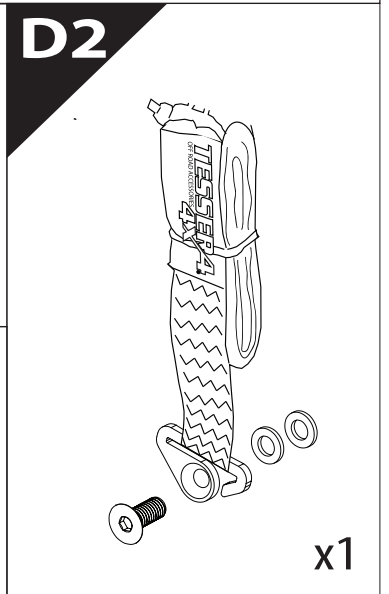
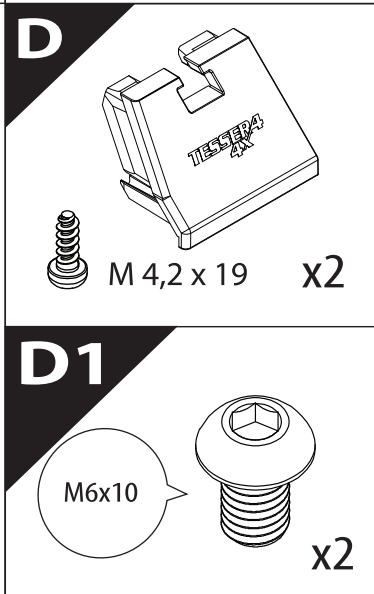
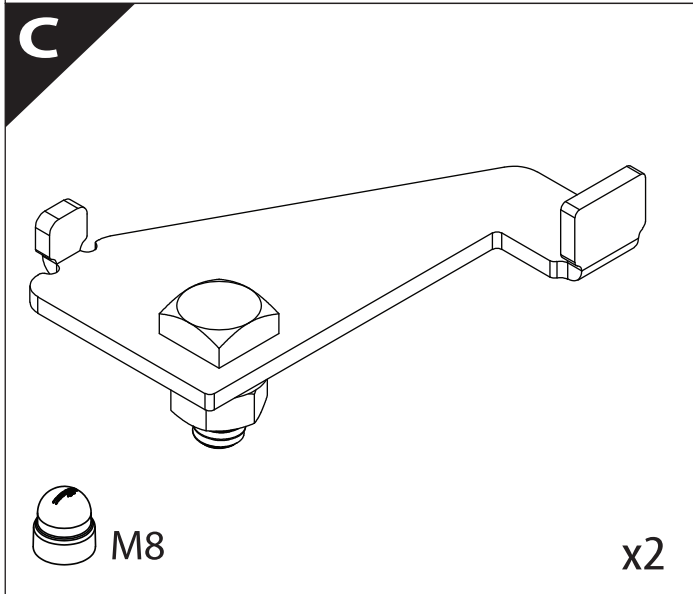
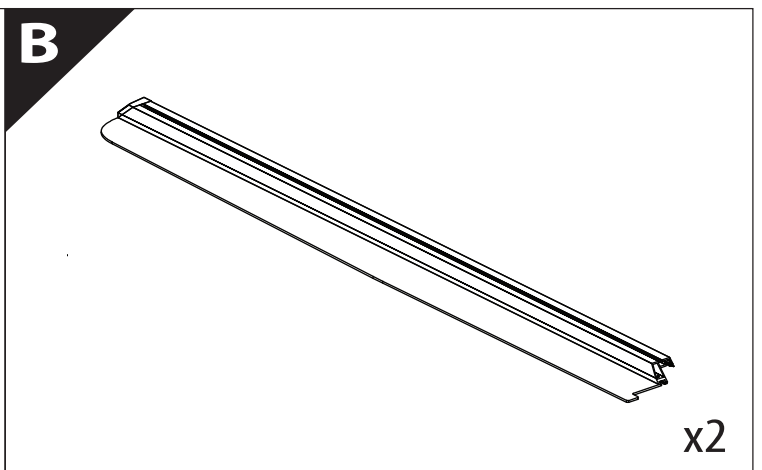
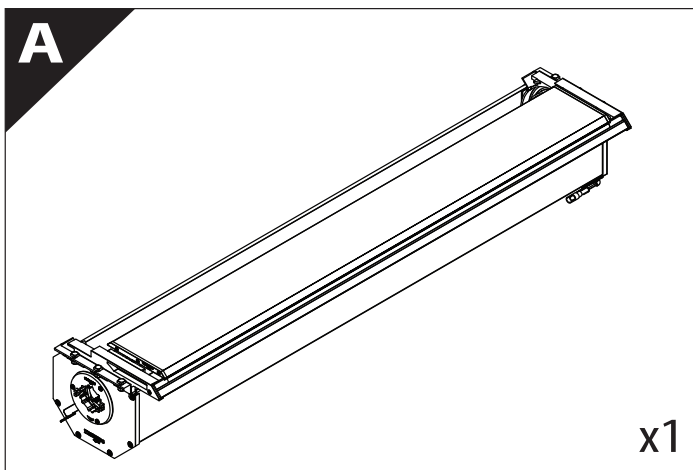
# Tessera Roll+

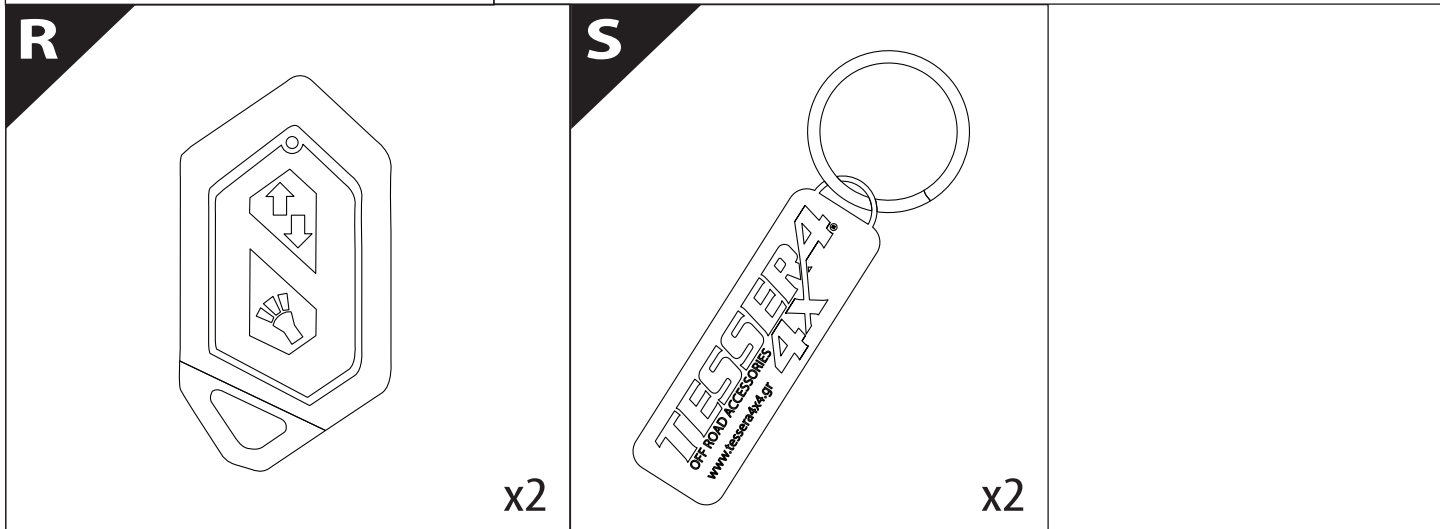
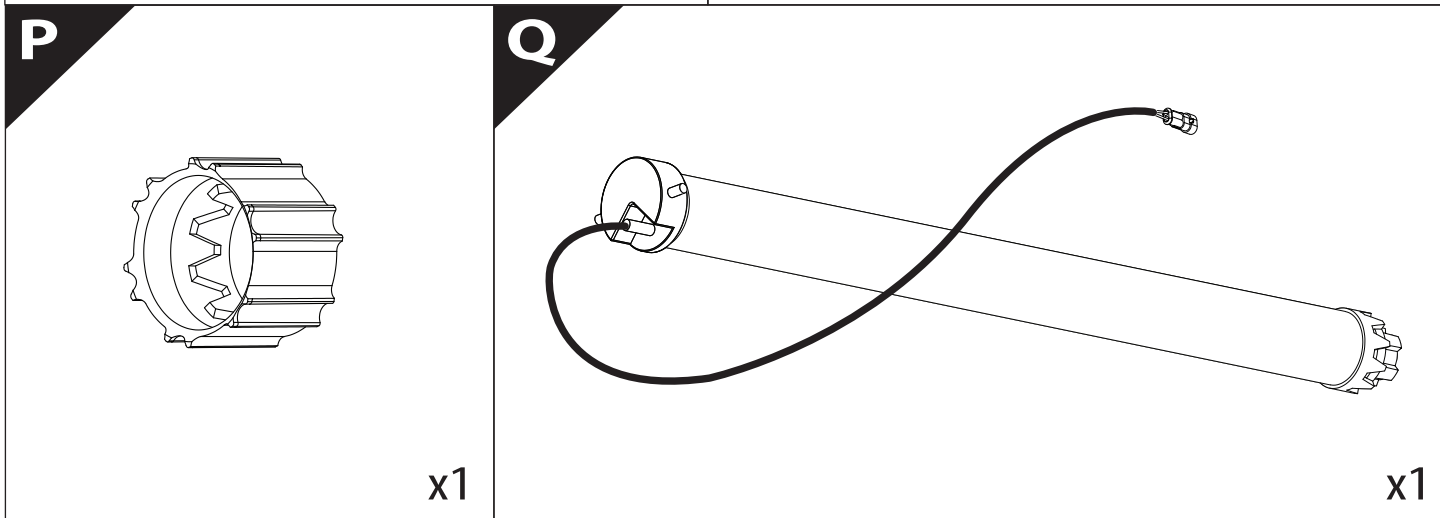
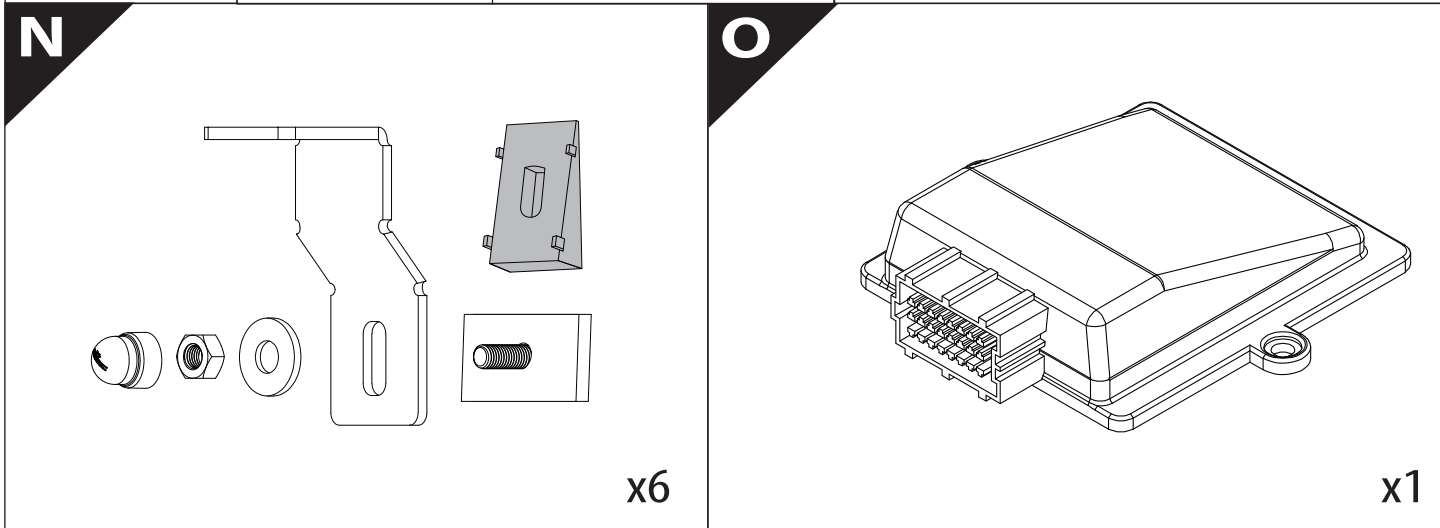
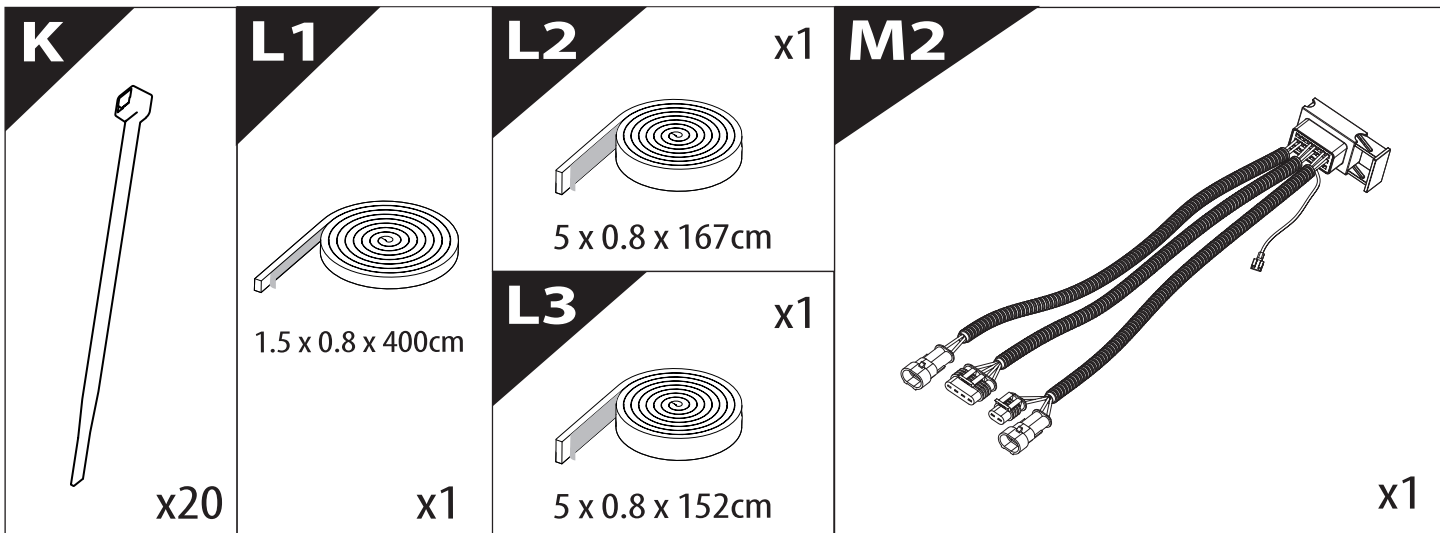
## Basic Version + ⚡ E-KIT



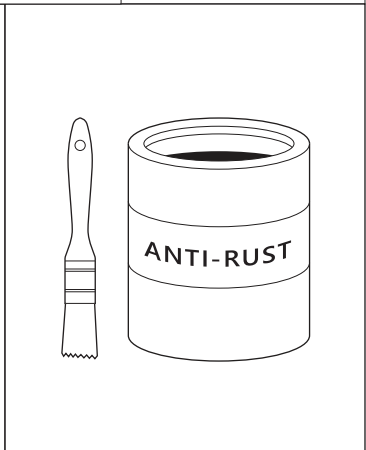
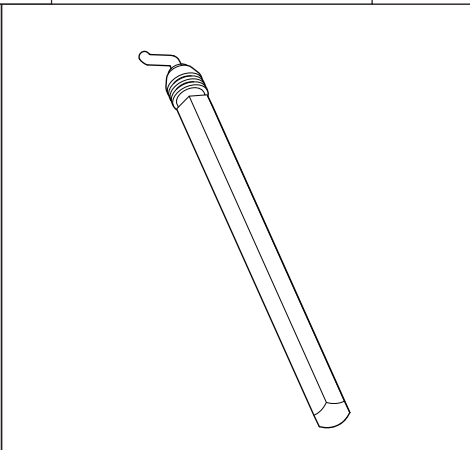
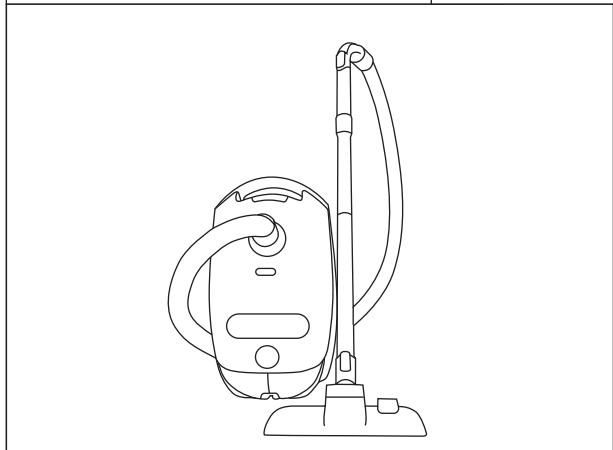
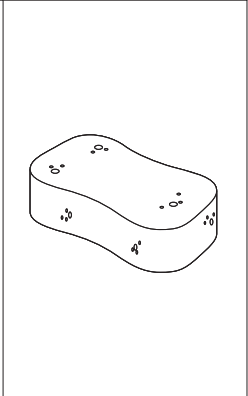
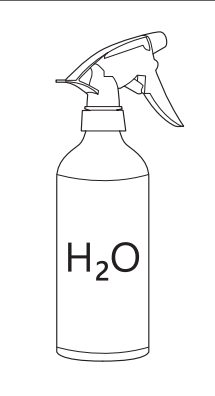
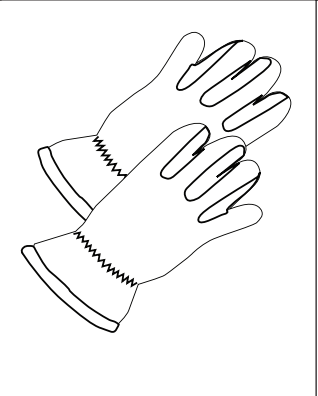
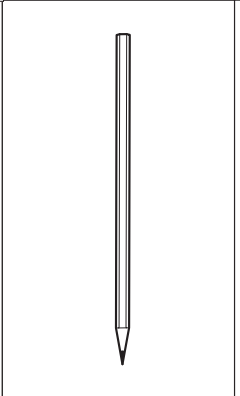
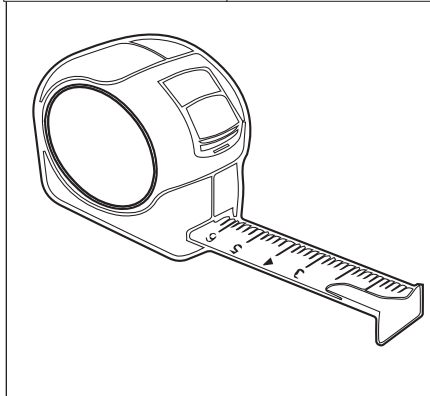
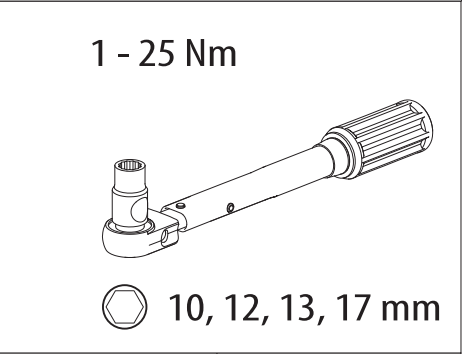
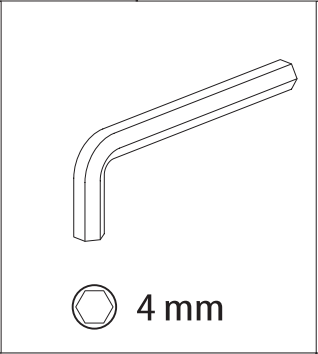
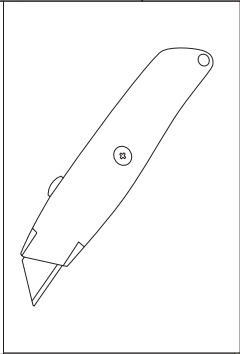
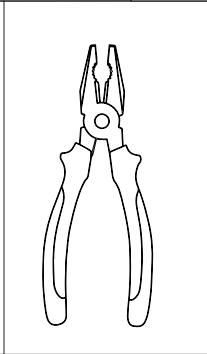
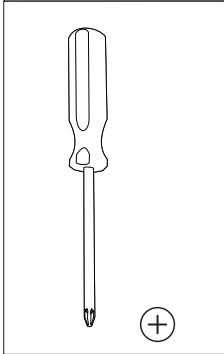
## Installation Manual

PART NUMBER(S)	Model Year
TESS 14191 ROLL+E-KIT	Mercedes X-Class 2018+ OEM ROLL BAR (with c-channels)
Cab(s)	Installation Time / Weight
Double Cab	40-60 minutes / 53-57 kg

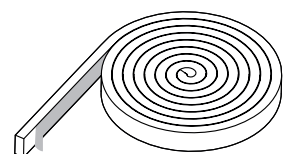
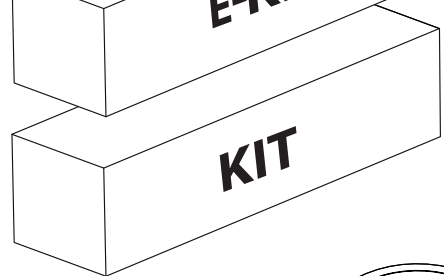
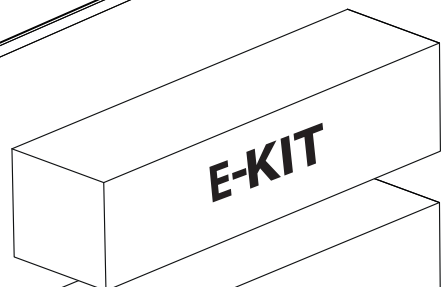
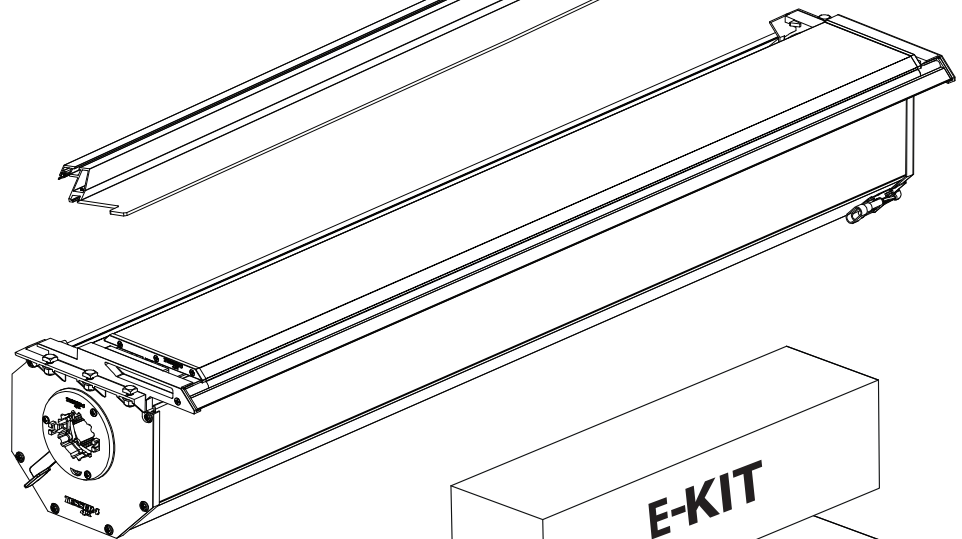
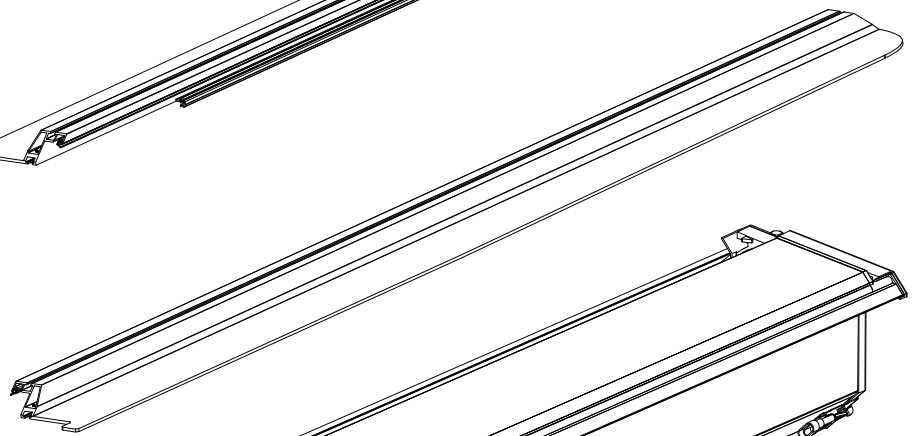




<p><b>T</b></p> <p>x8</p>	<p><b>U</b></p> <p>Silicone</p> <p>x1</p>	<p><b>V</b></p> <p>x1</p>	<p>Ø 25 mm / Ø 40 mm</p>
---------------------------	---	---------------------------	--------------------------



	<p>INSTALATION MANUAL +E-KIT</p>	<p>OWNERS MANUAL</p>
--	--	--------------------------

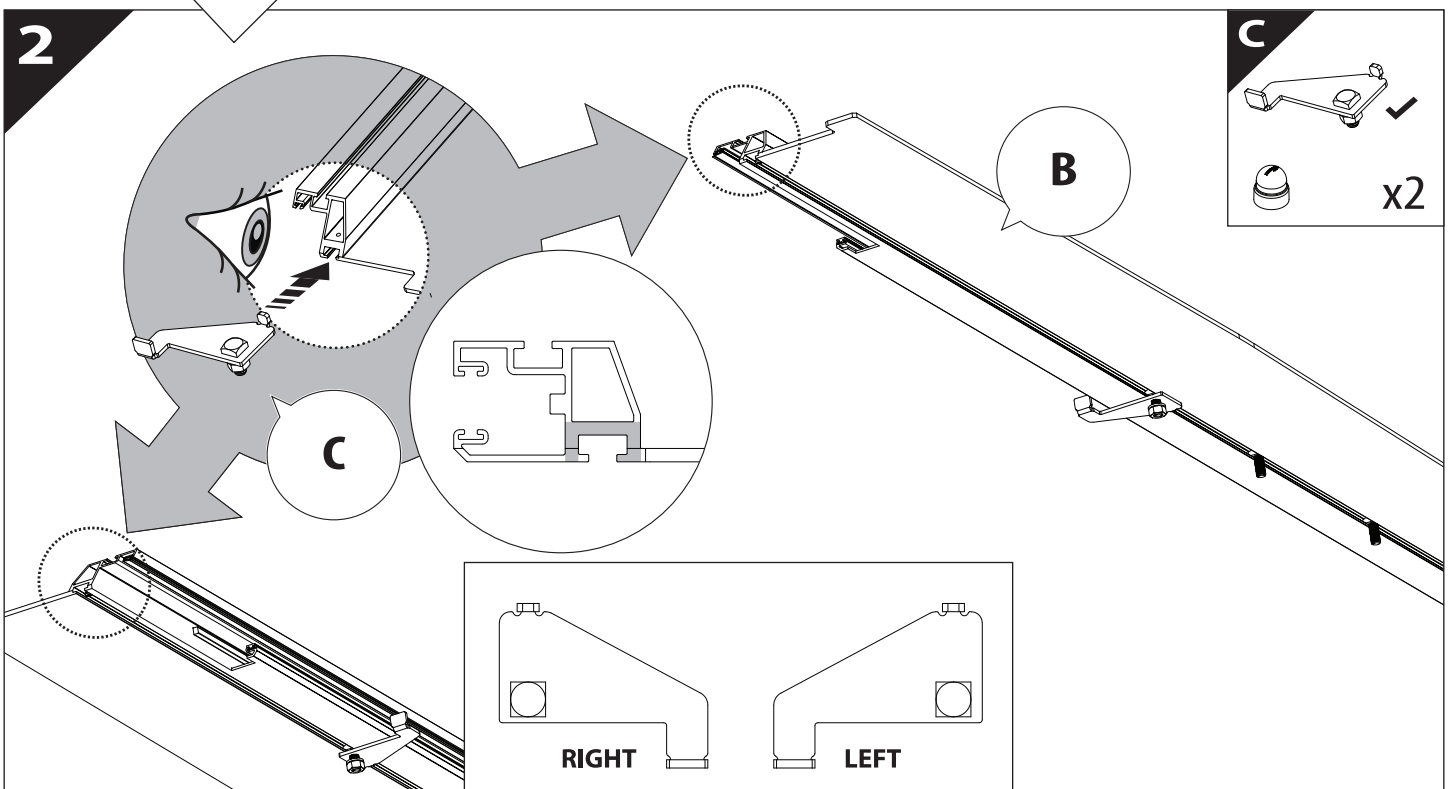
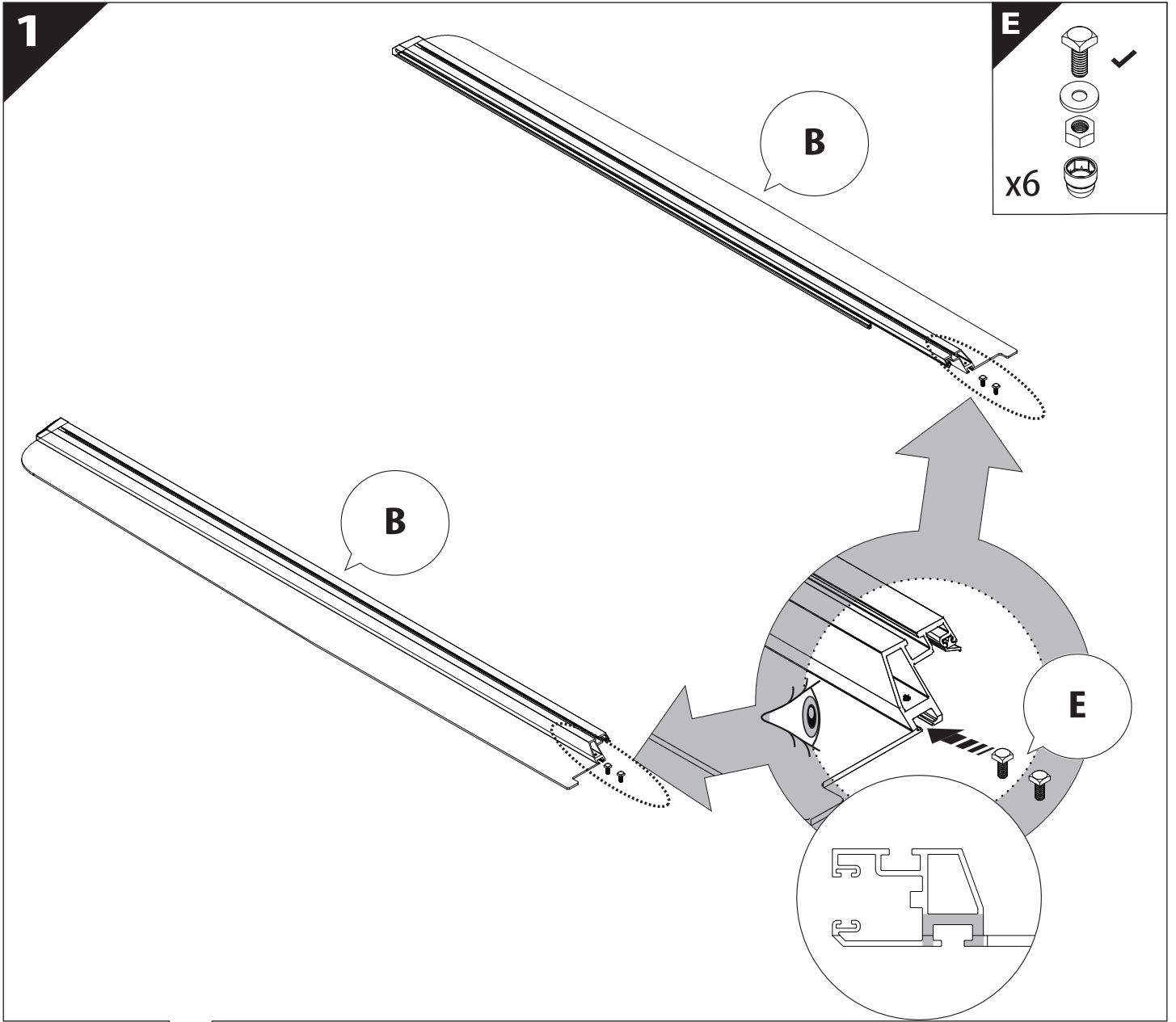


**B**

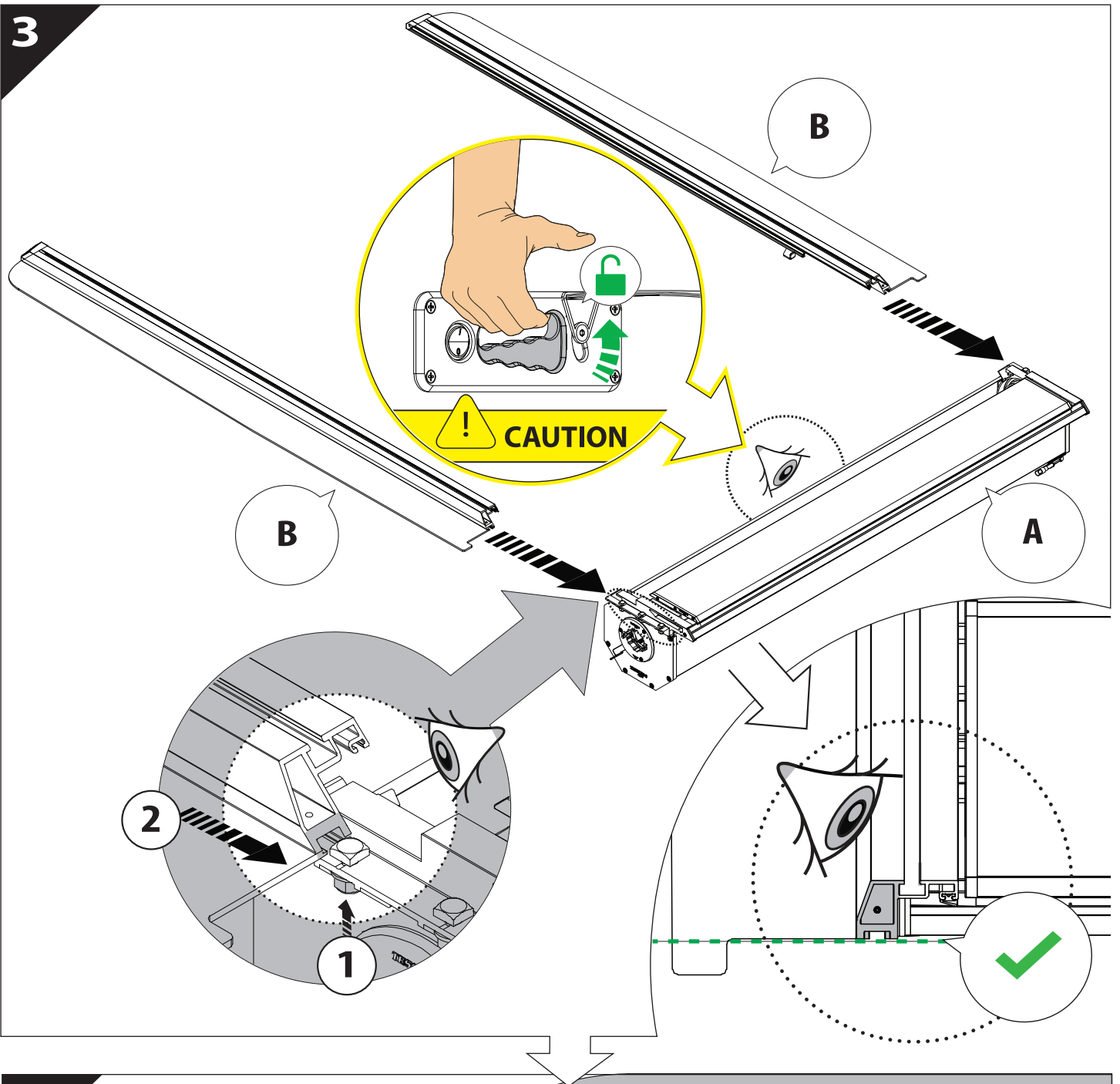
**A**

**KITS**

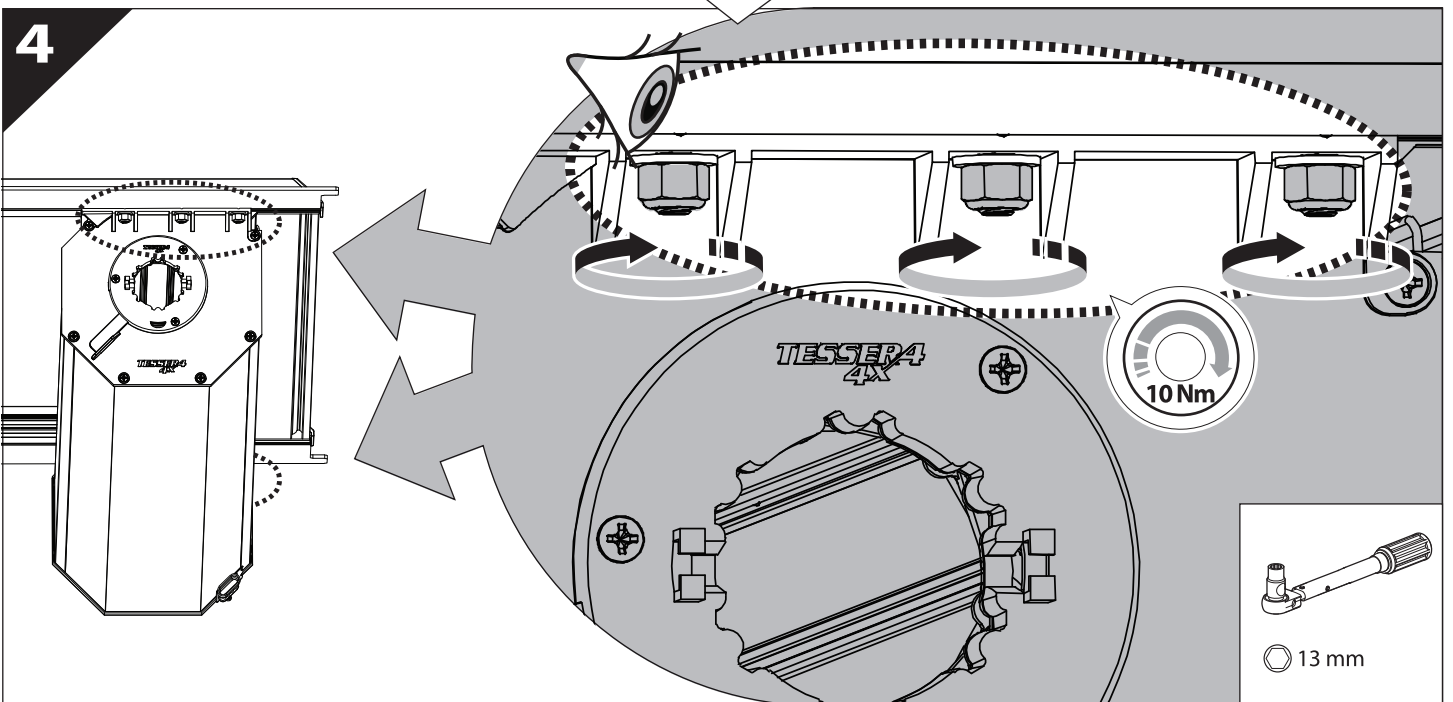
**L**

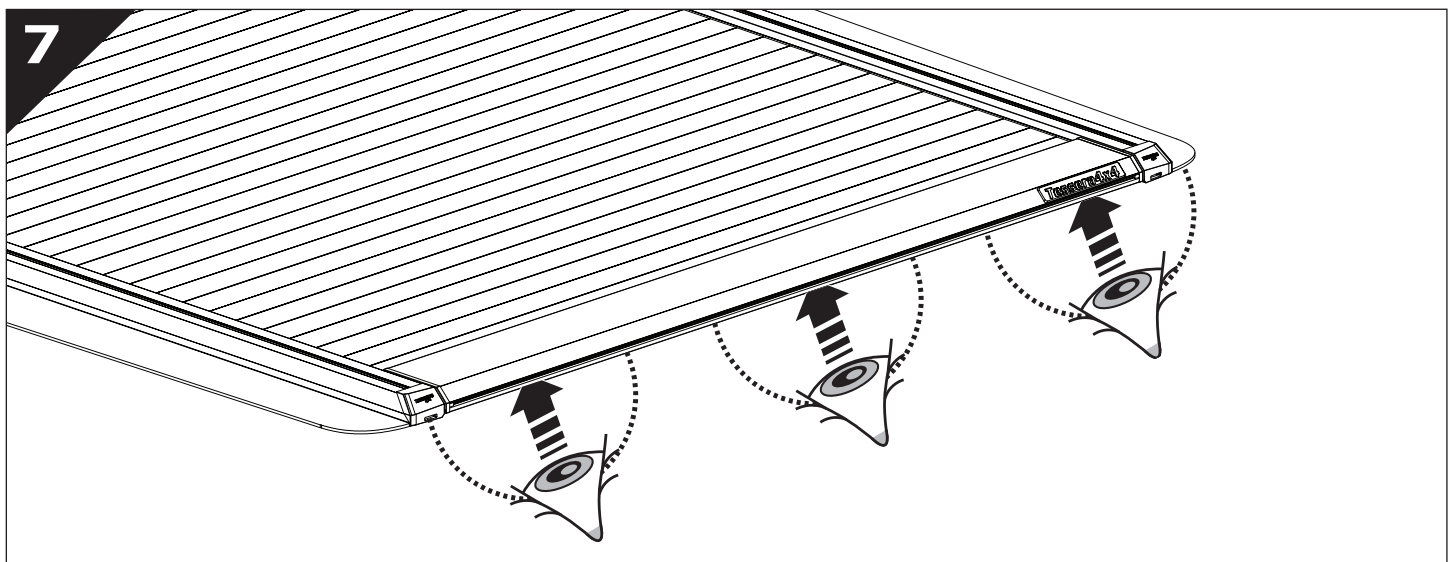
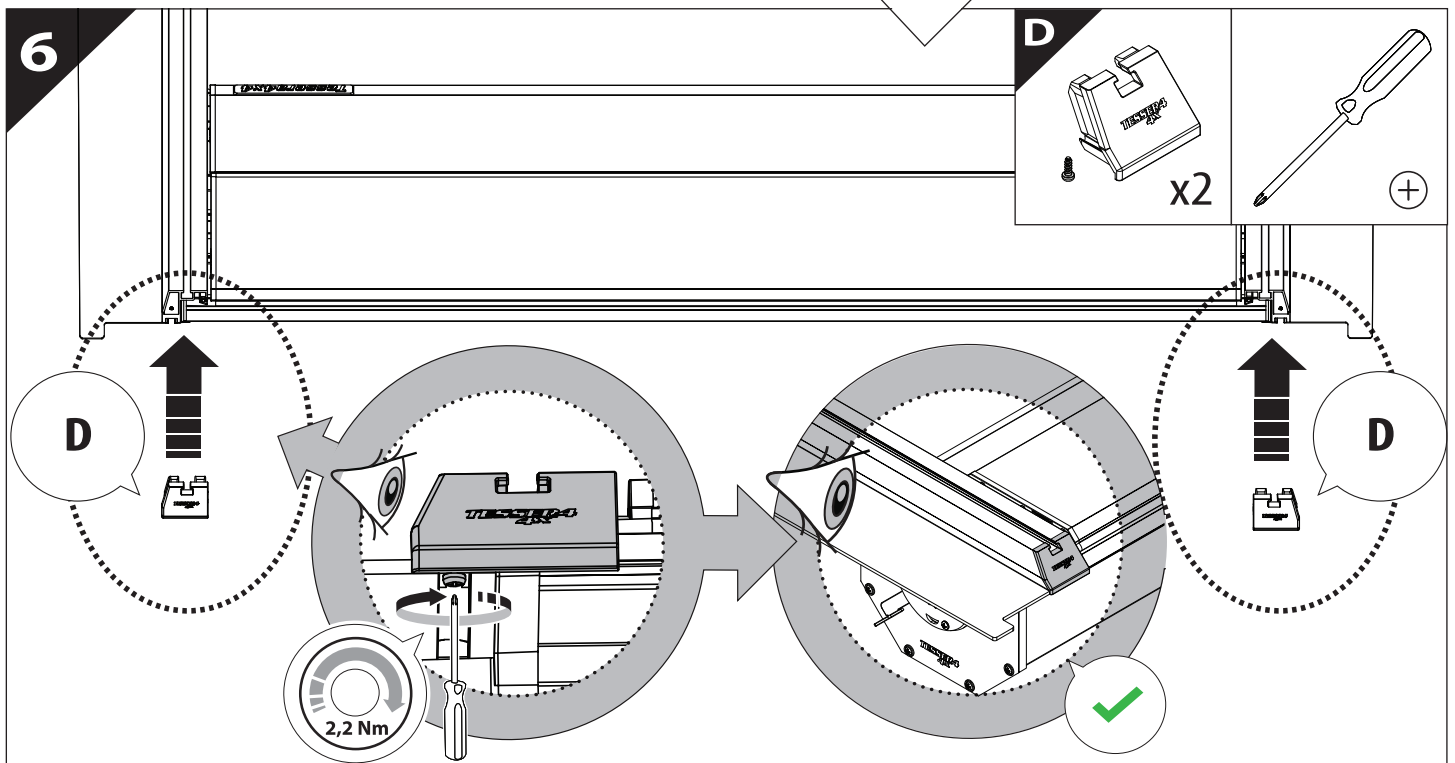
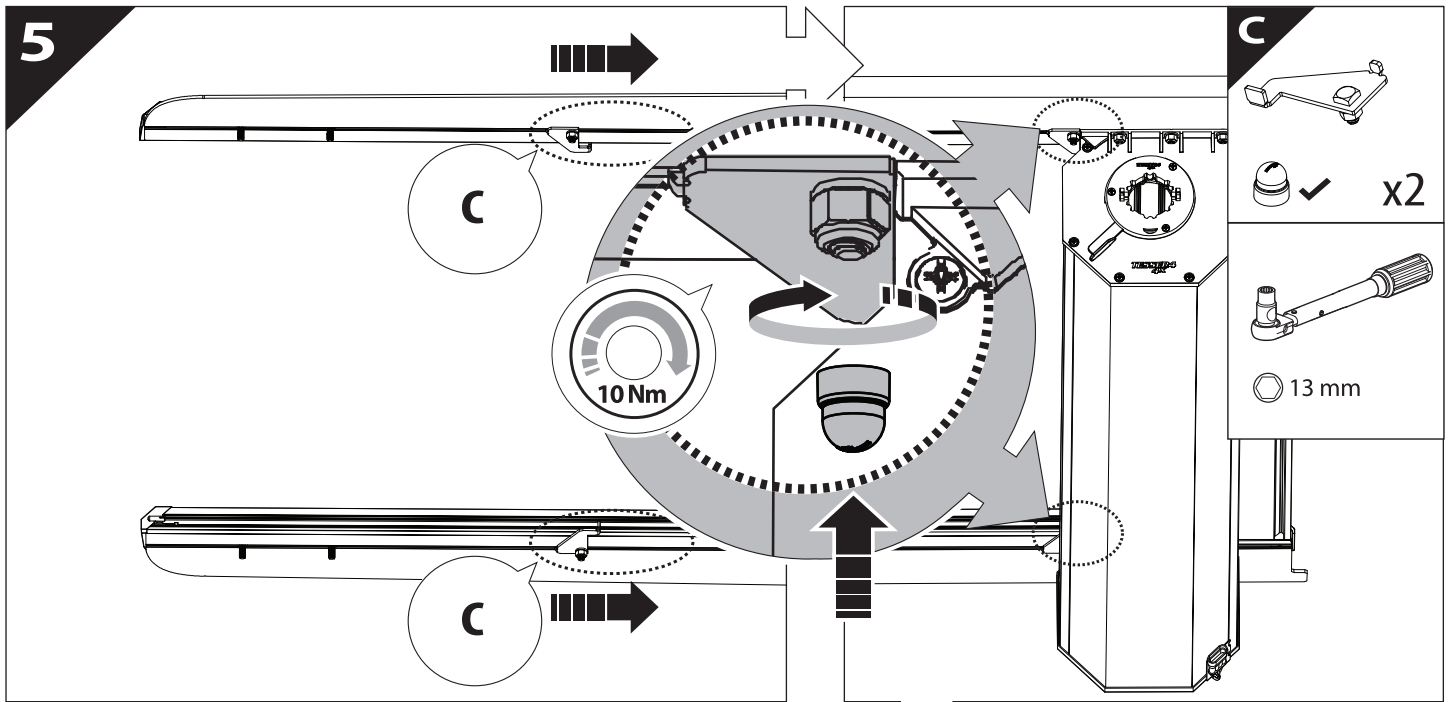


3

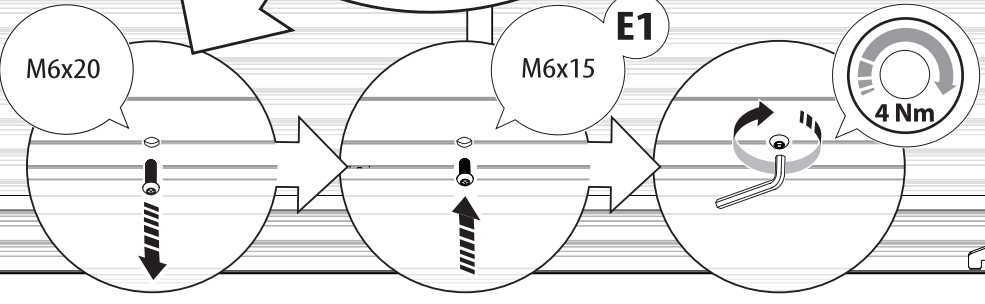
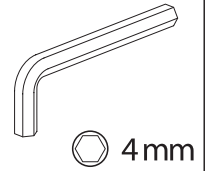
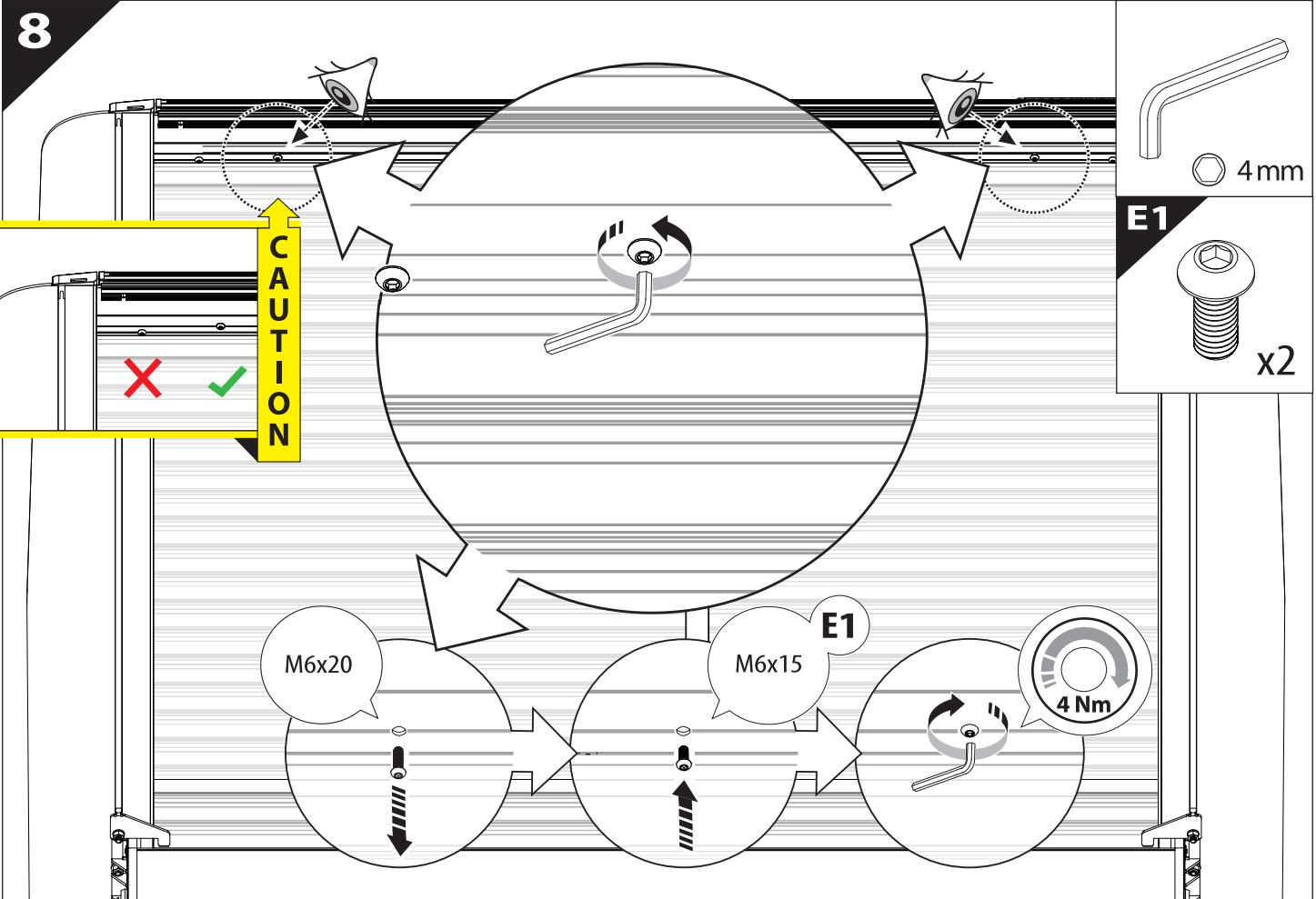
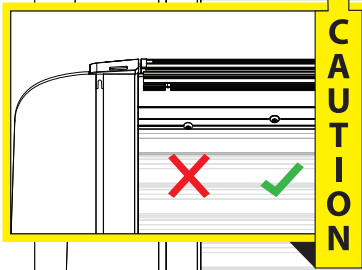


4

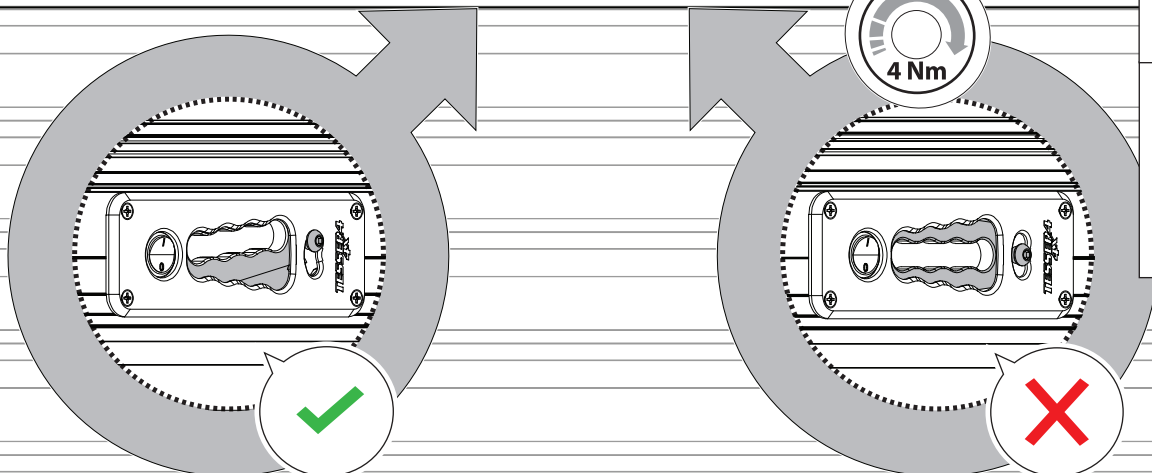
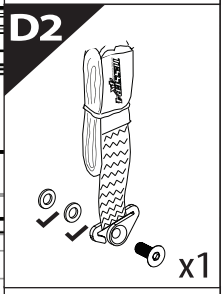
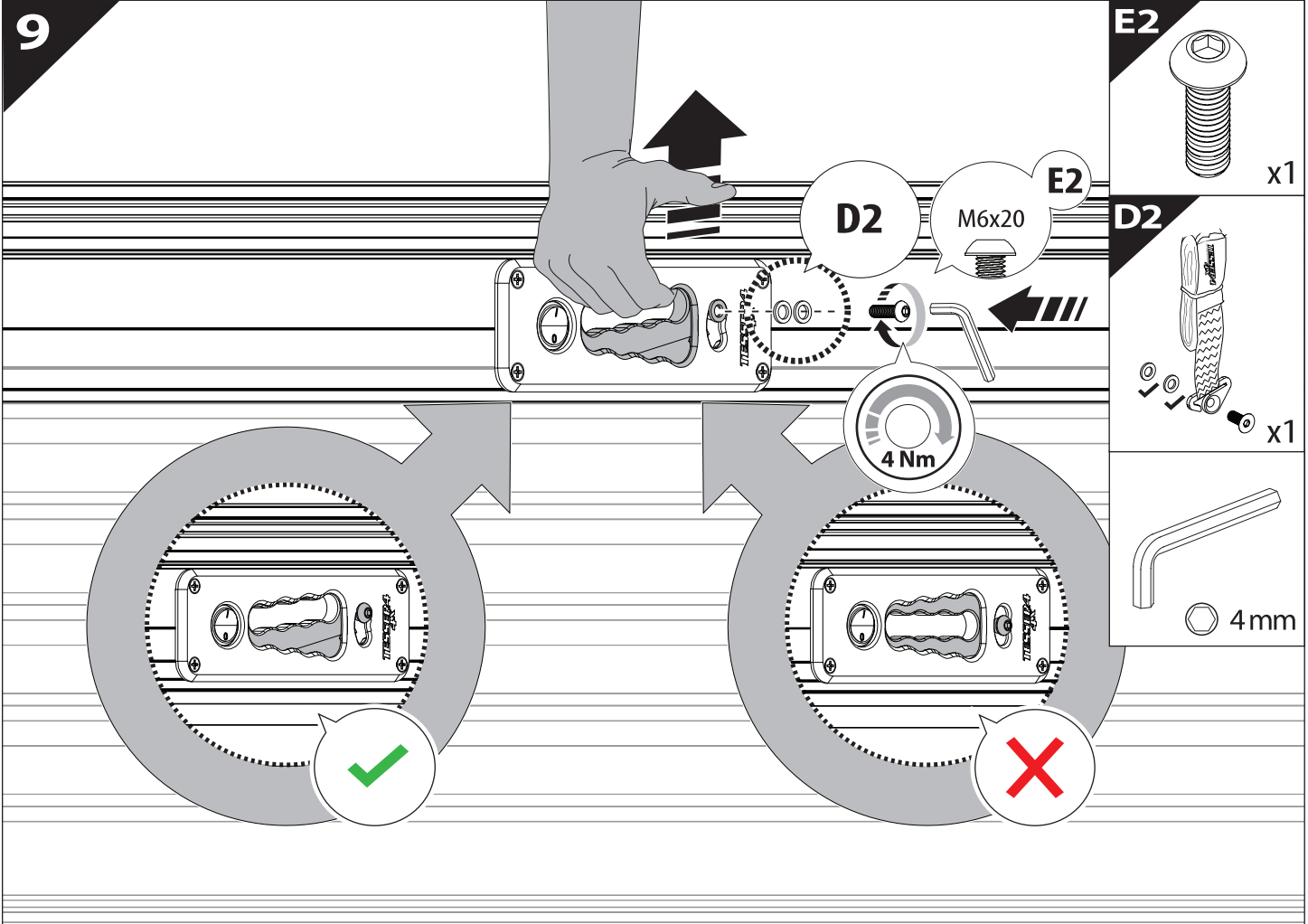


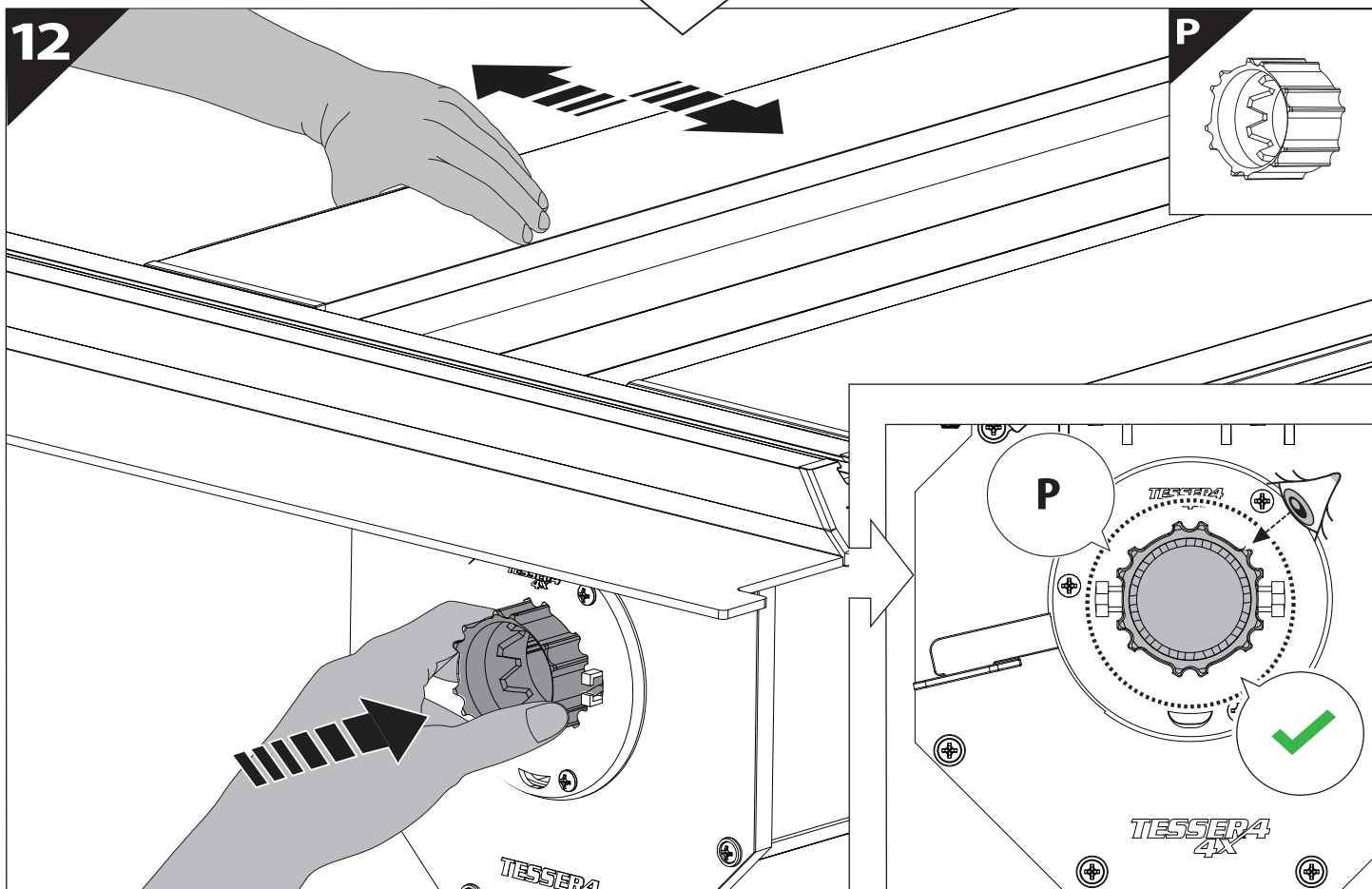
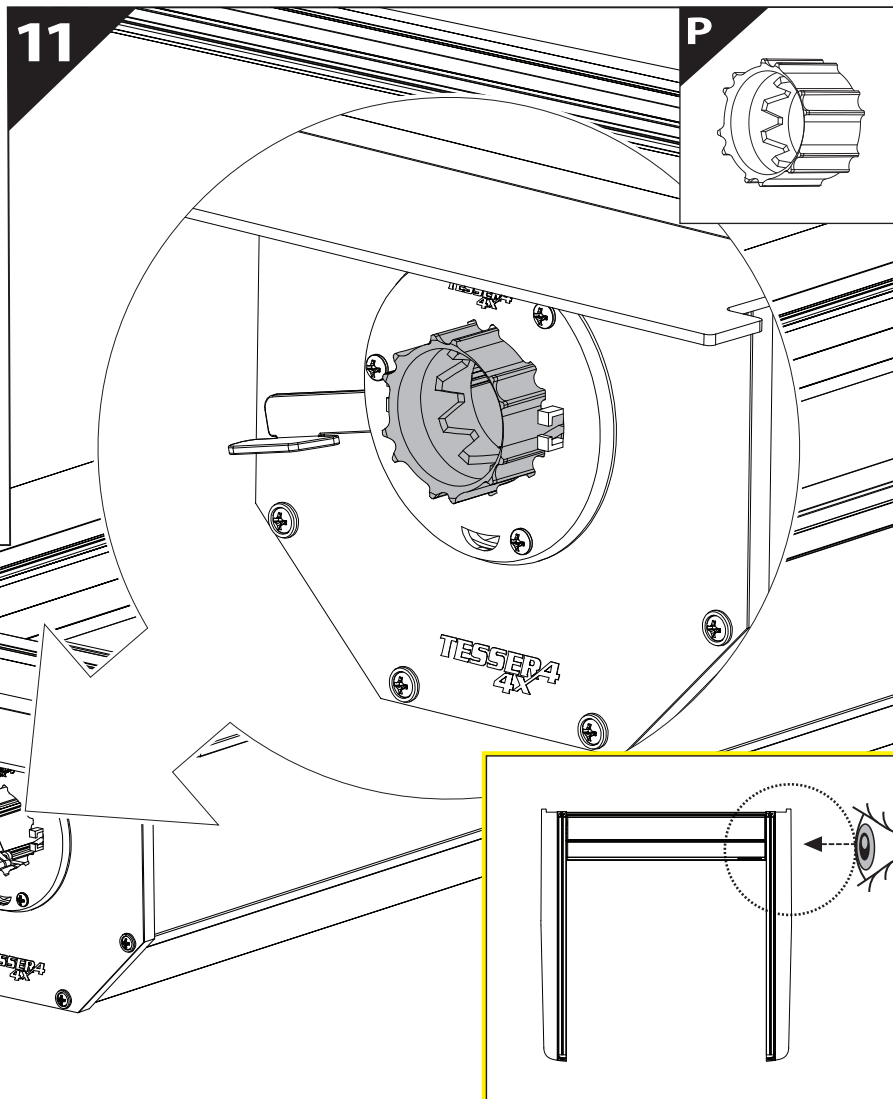
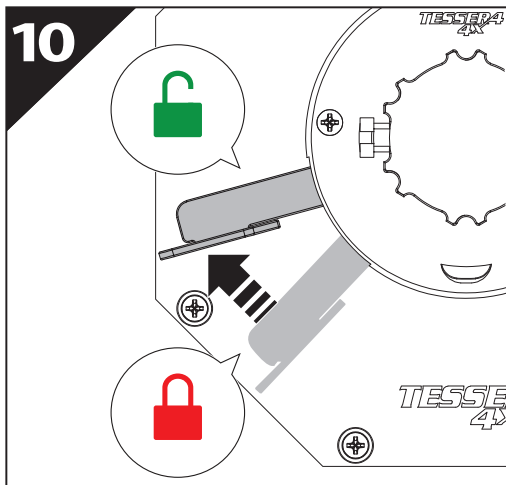


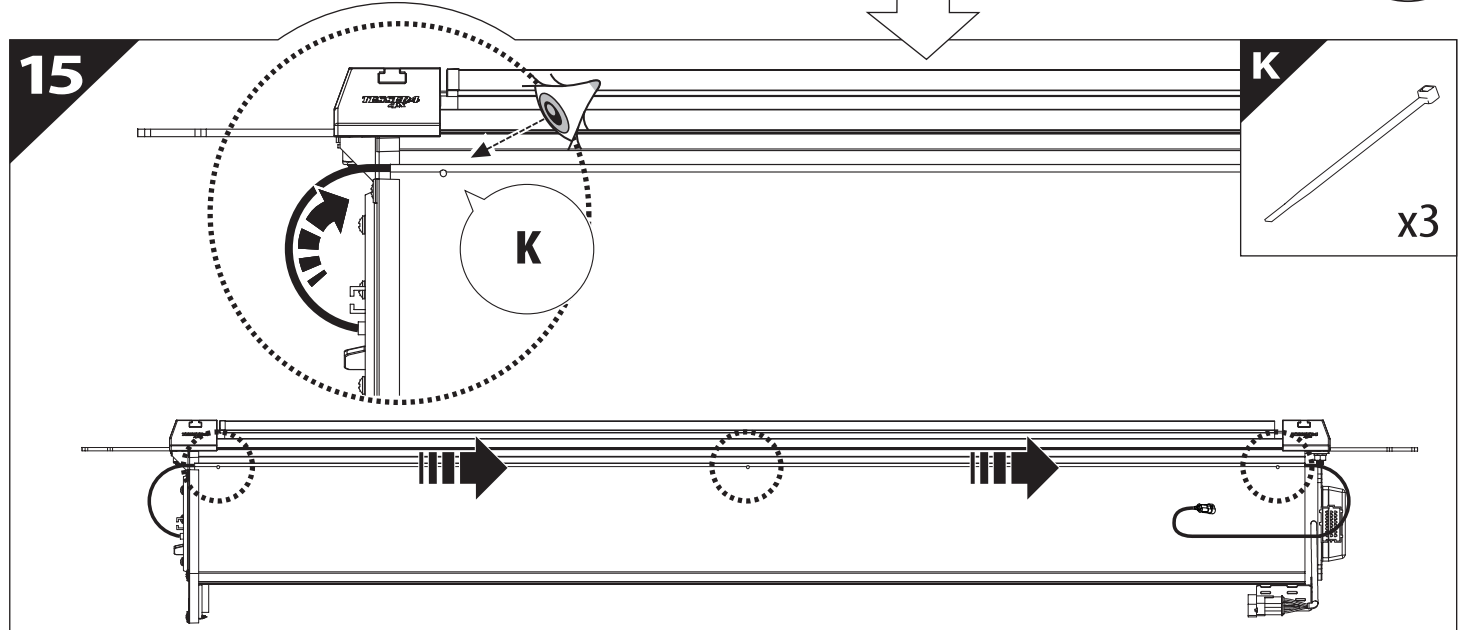
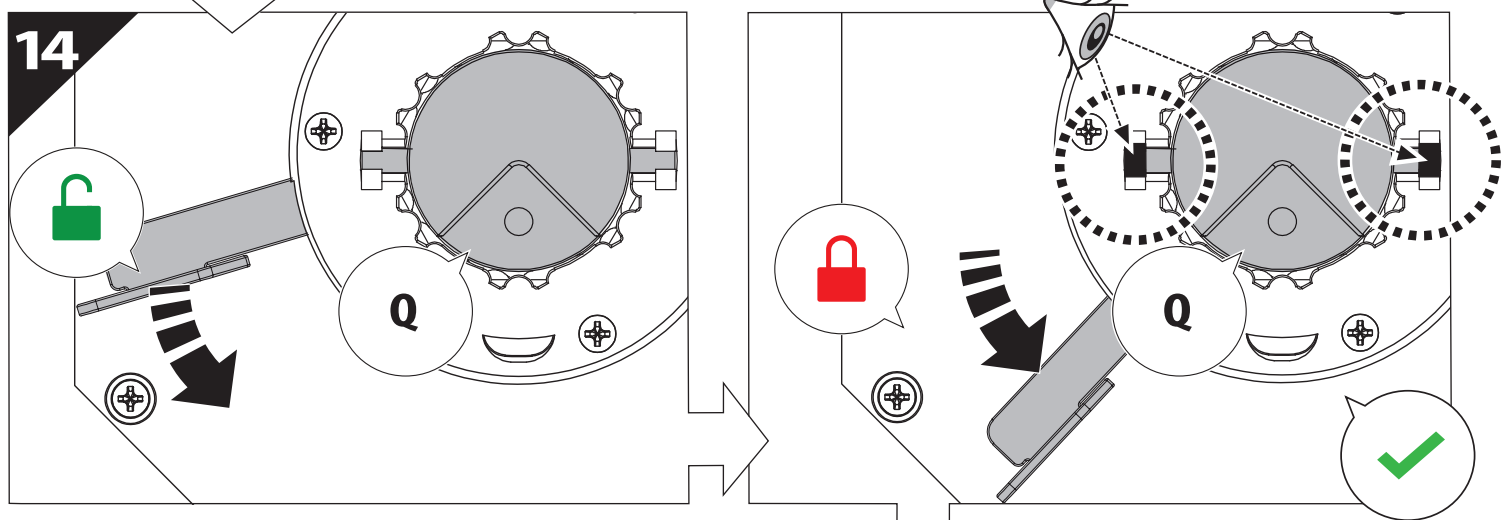
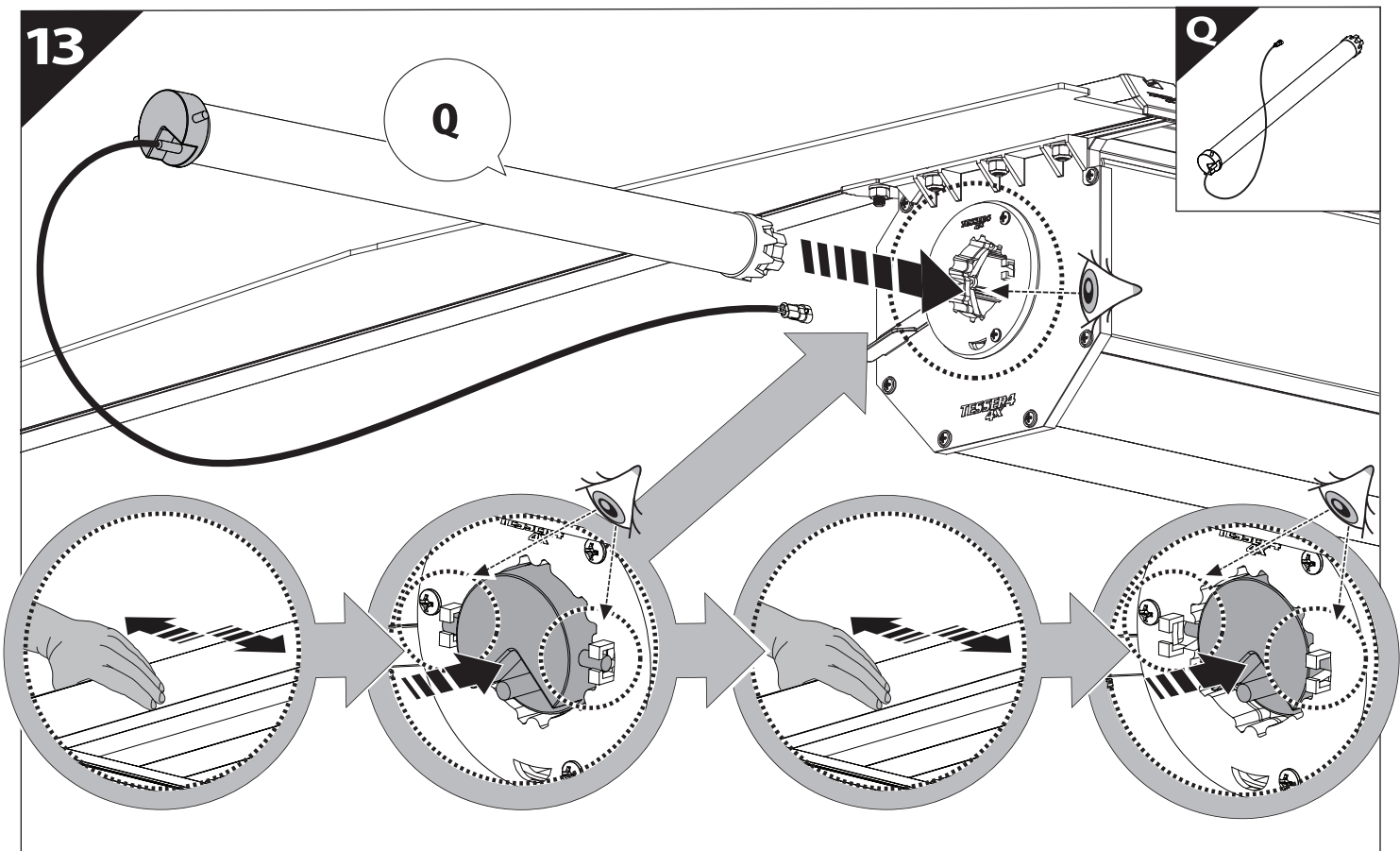
8



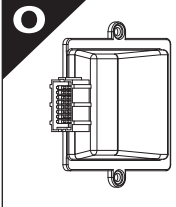
9



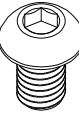




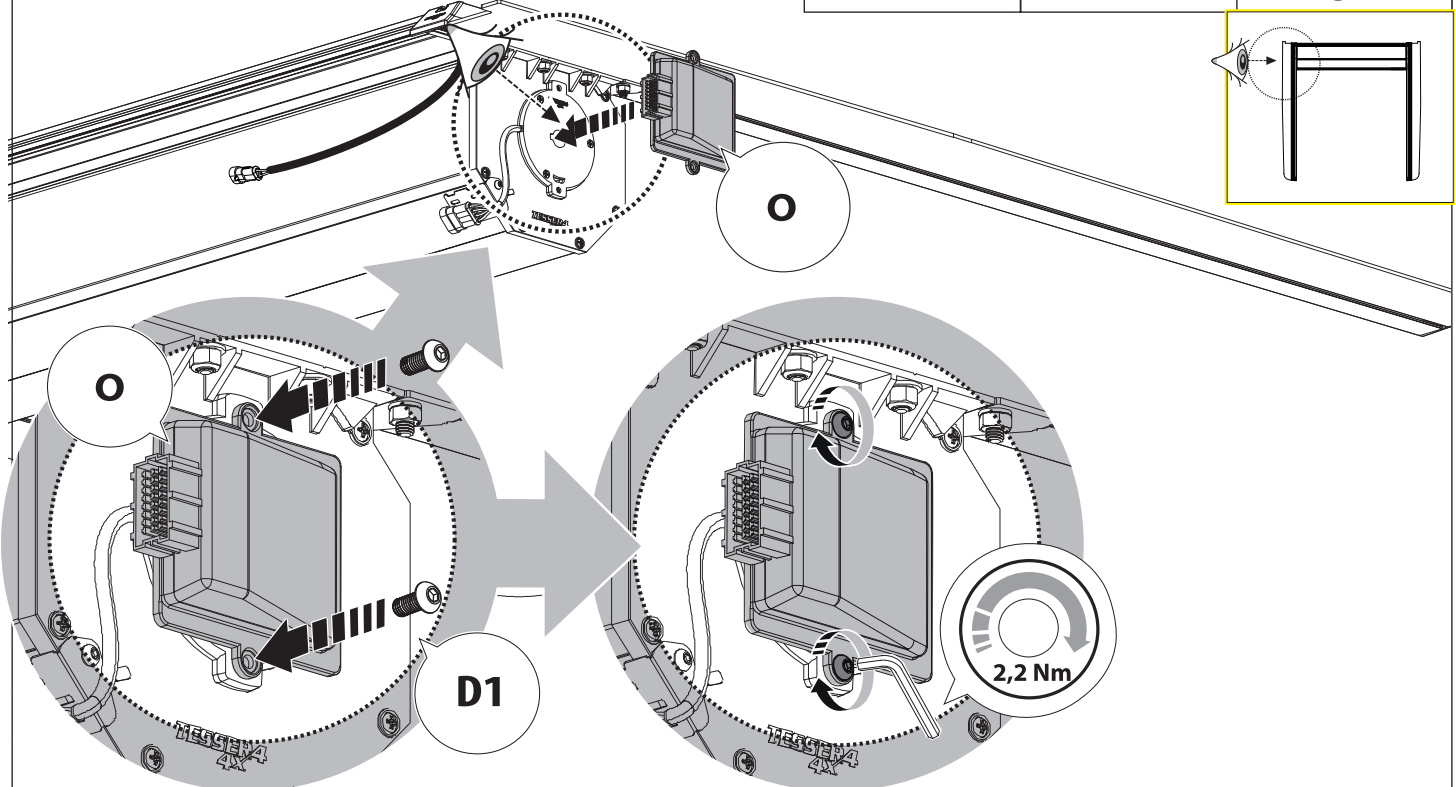
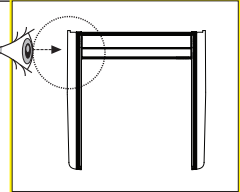
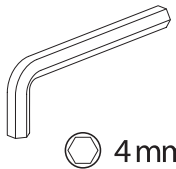
16



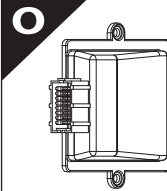
D1



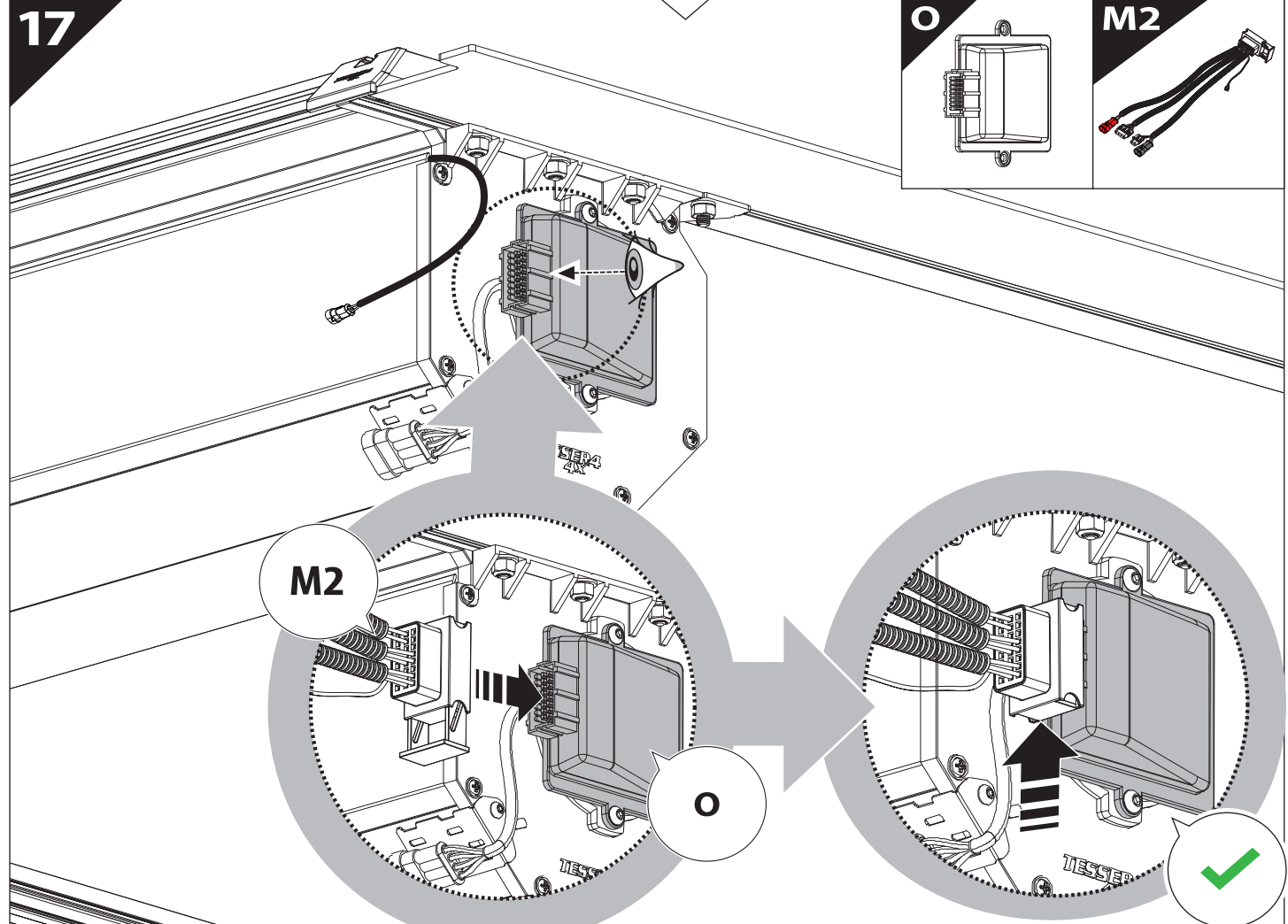
x2

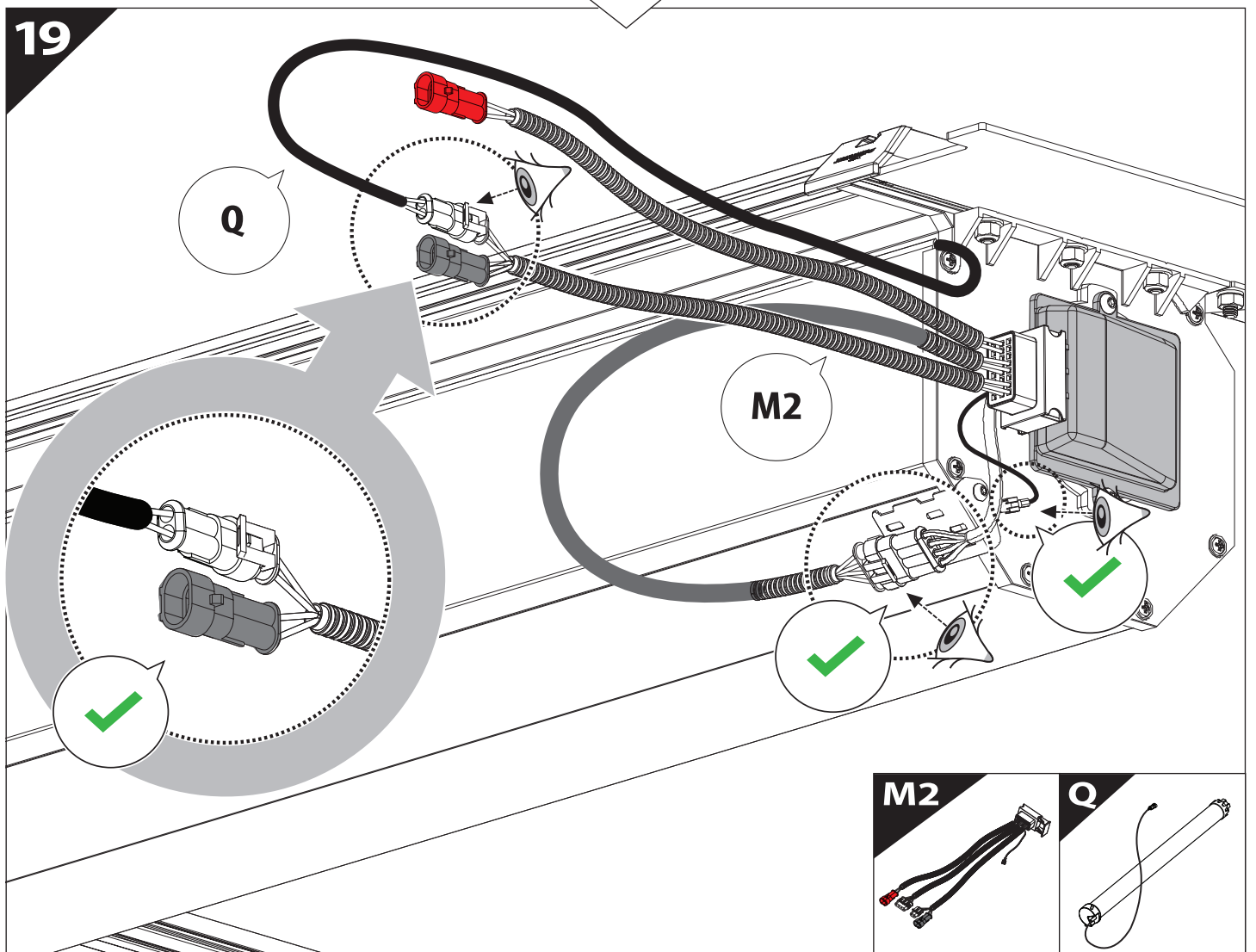
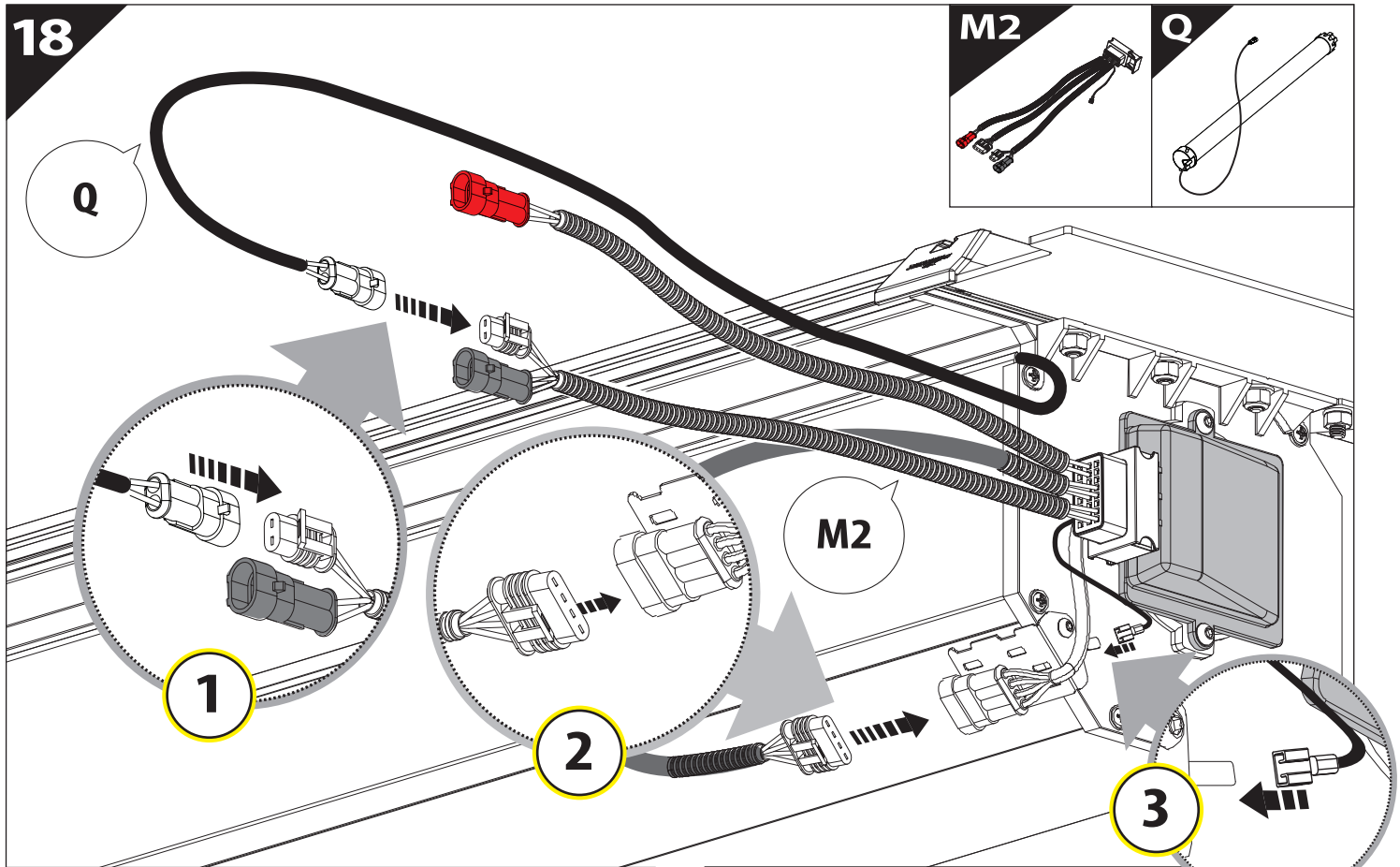


17



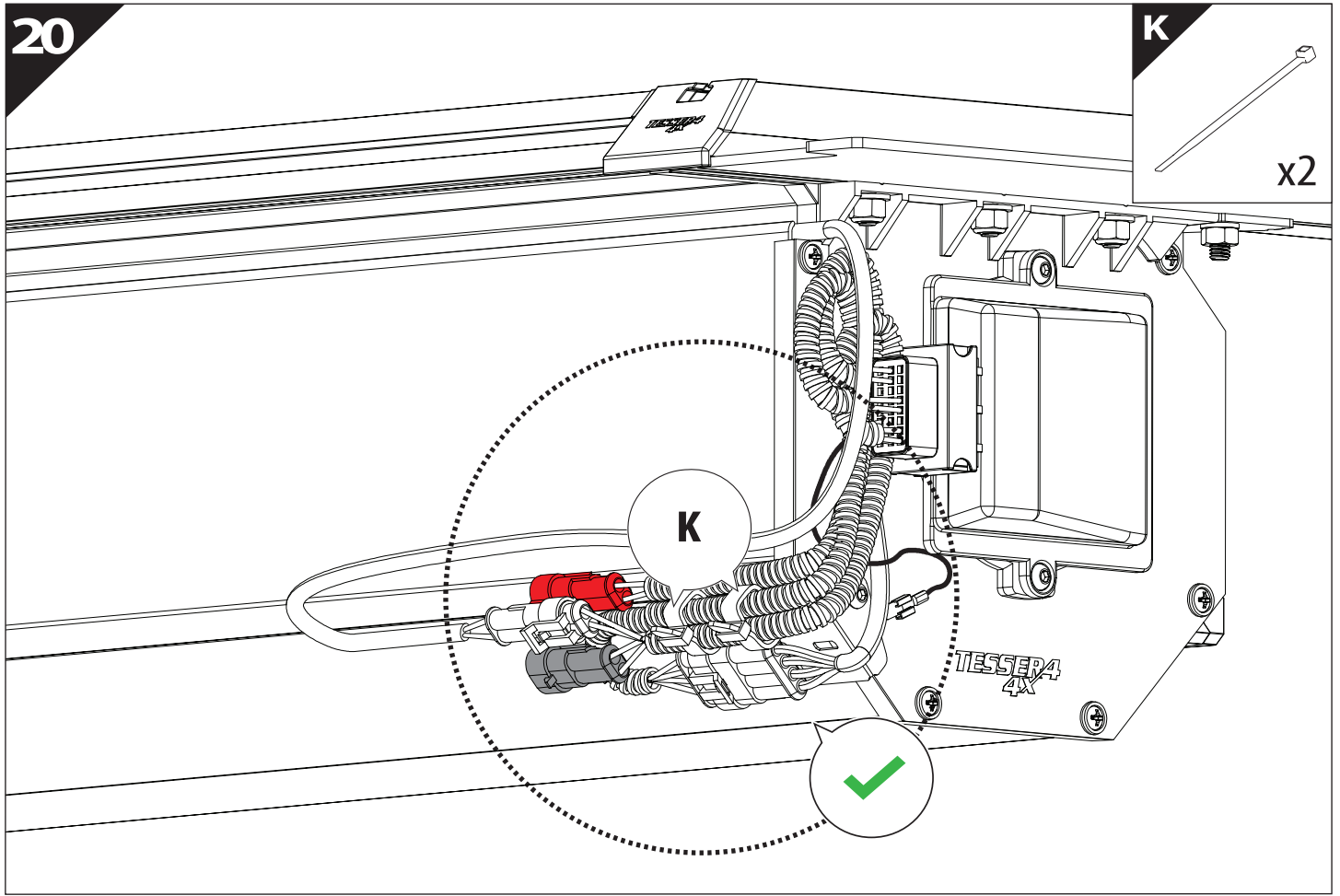
M2

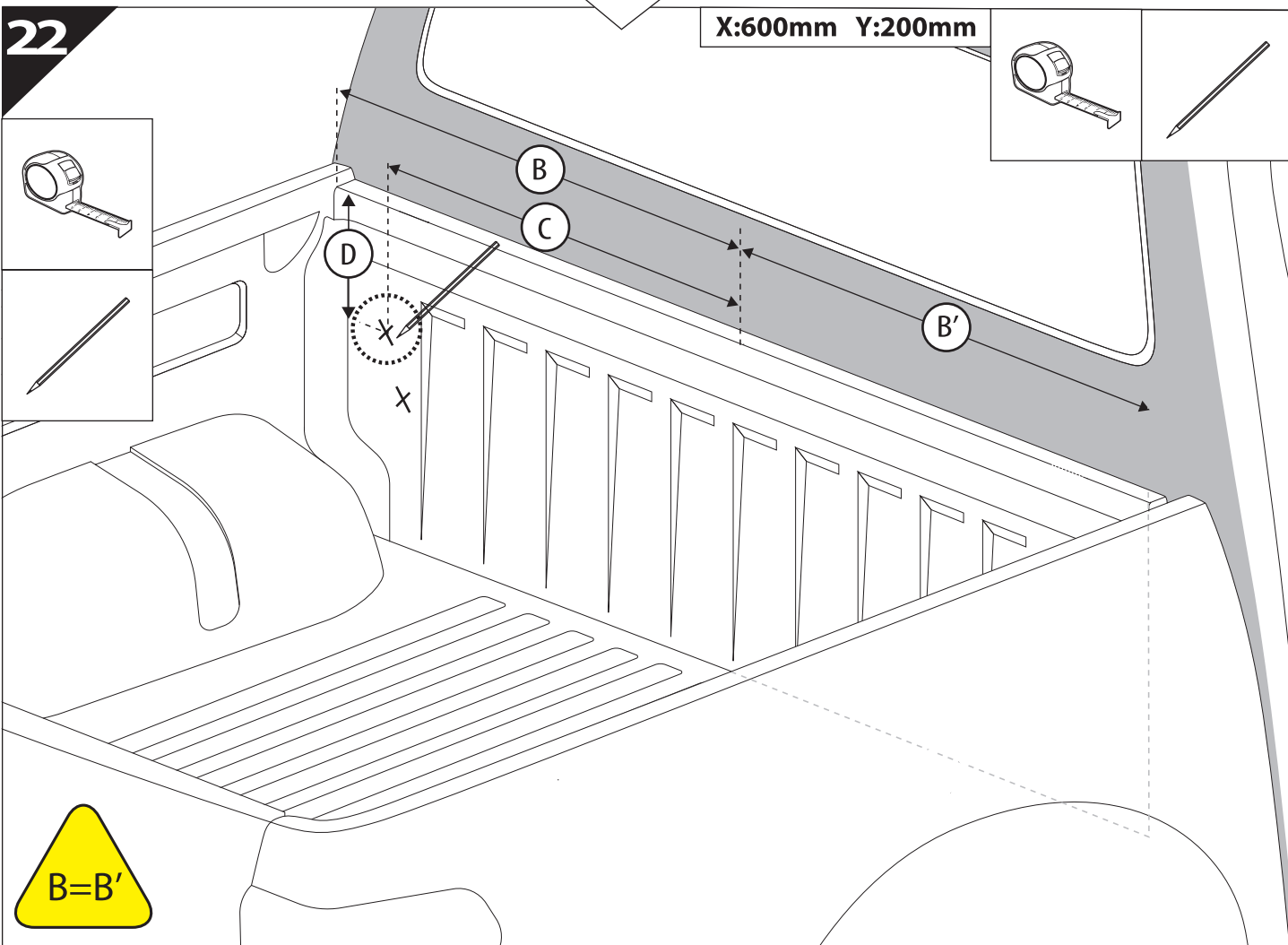
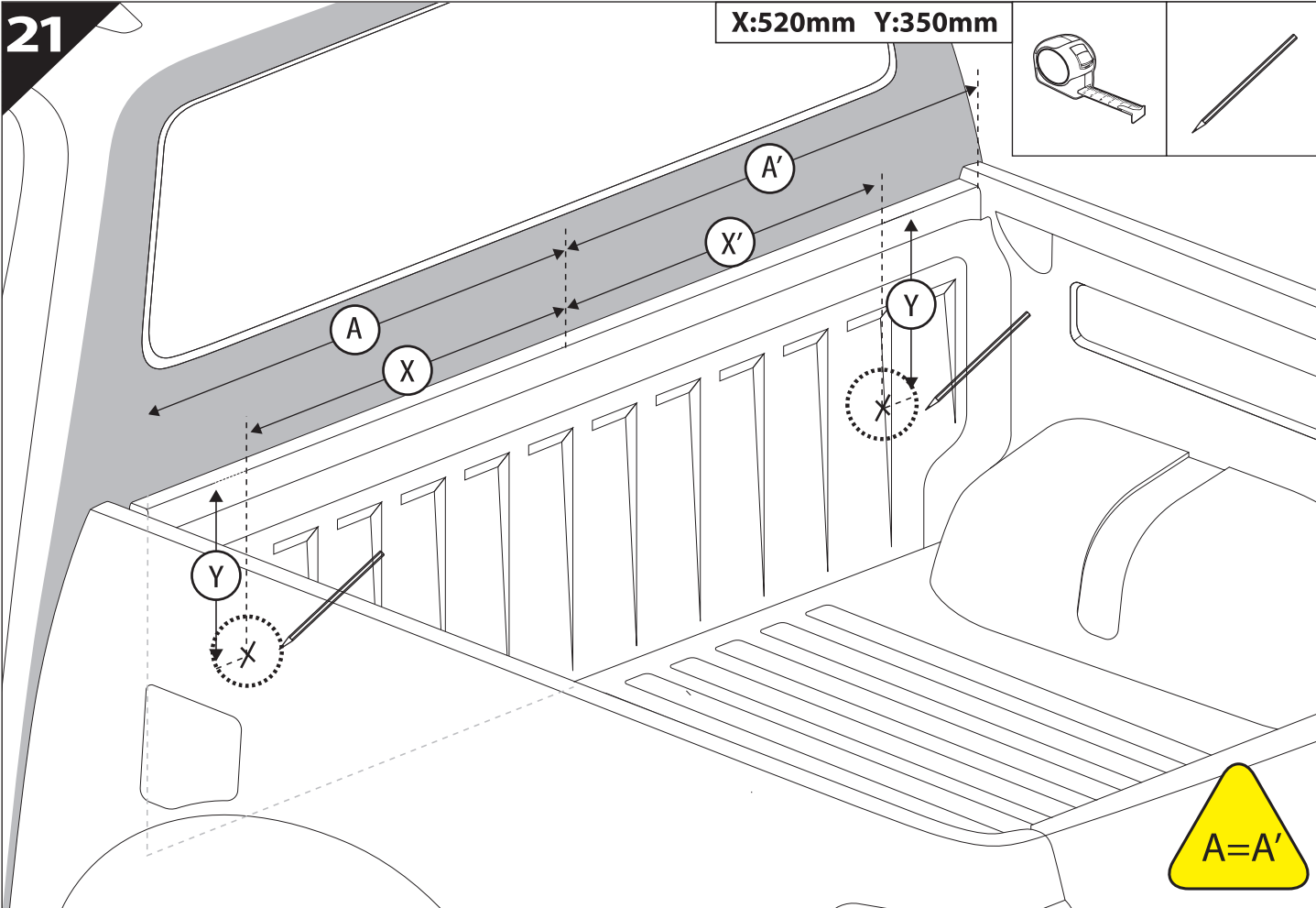


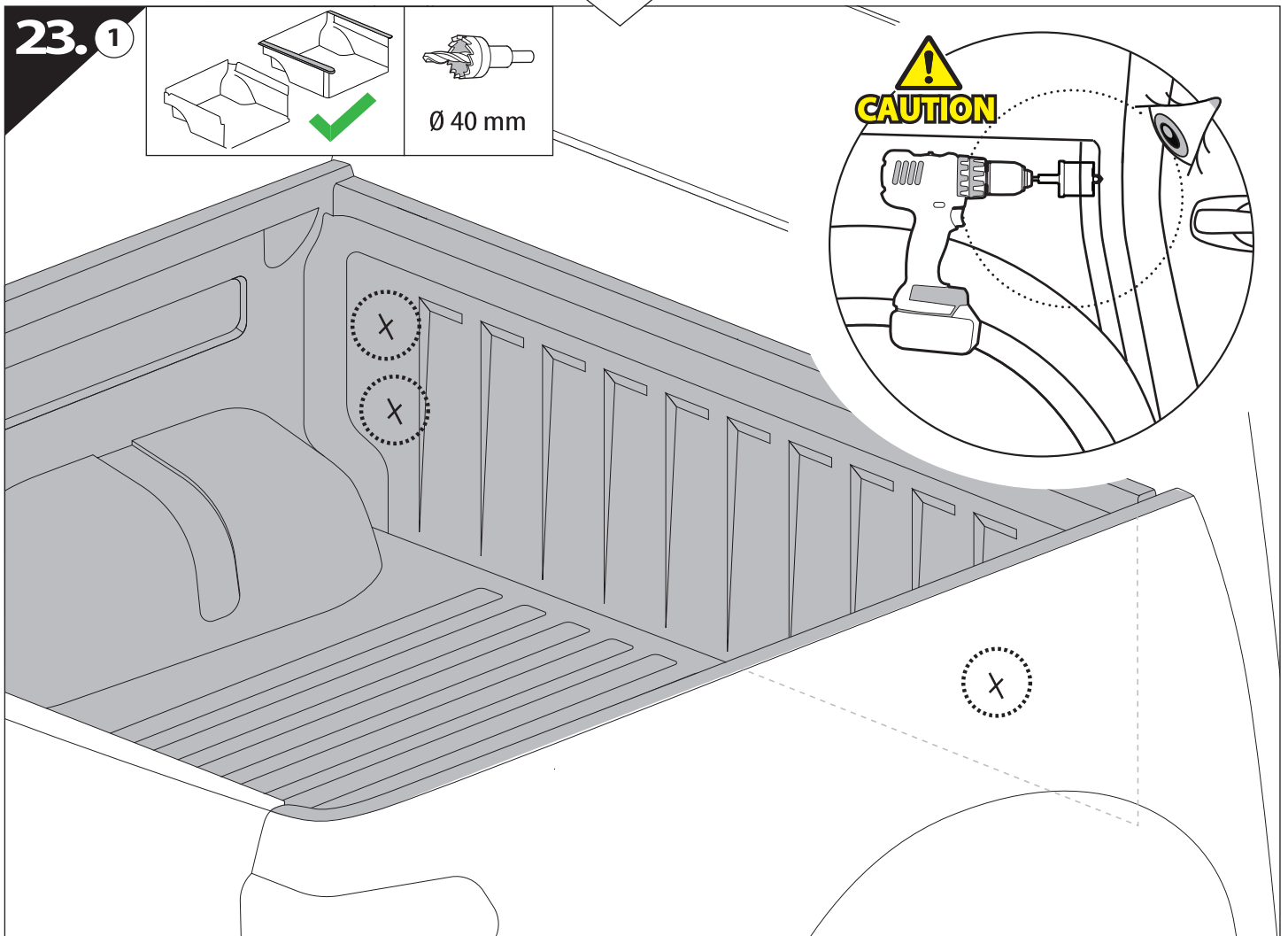
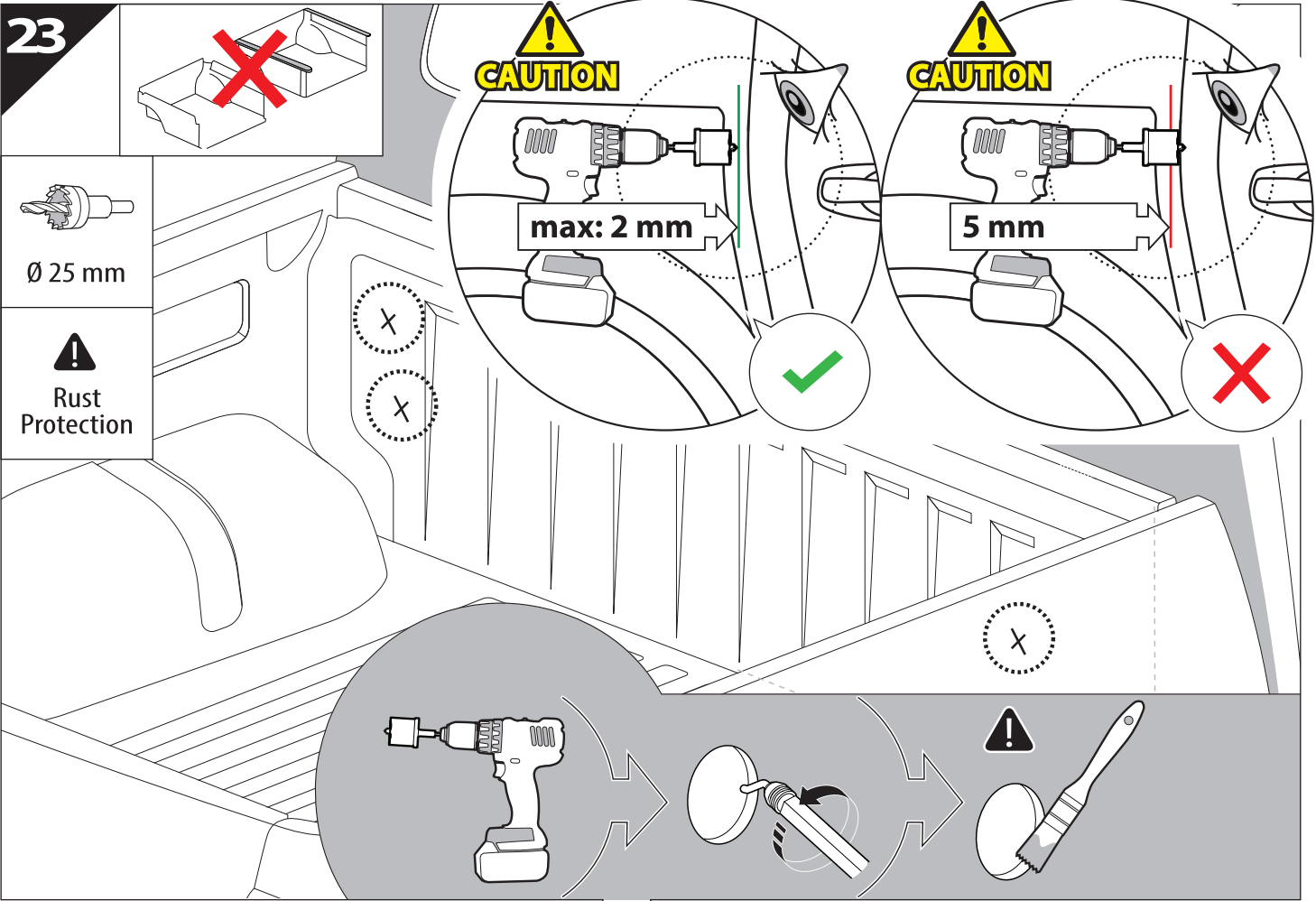


20

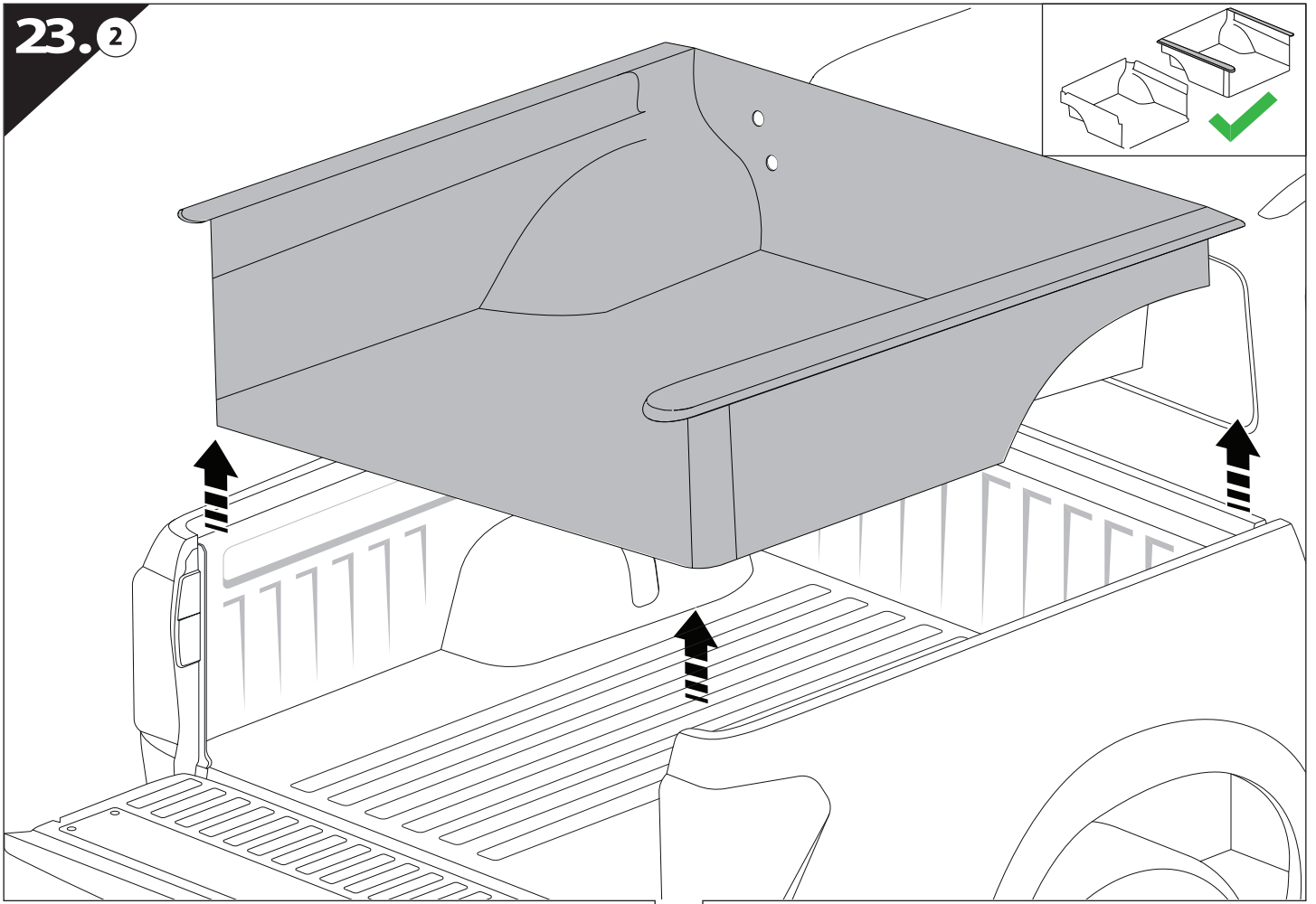
K



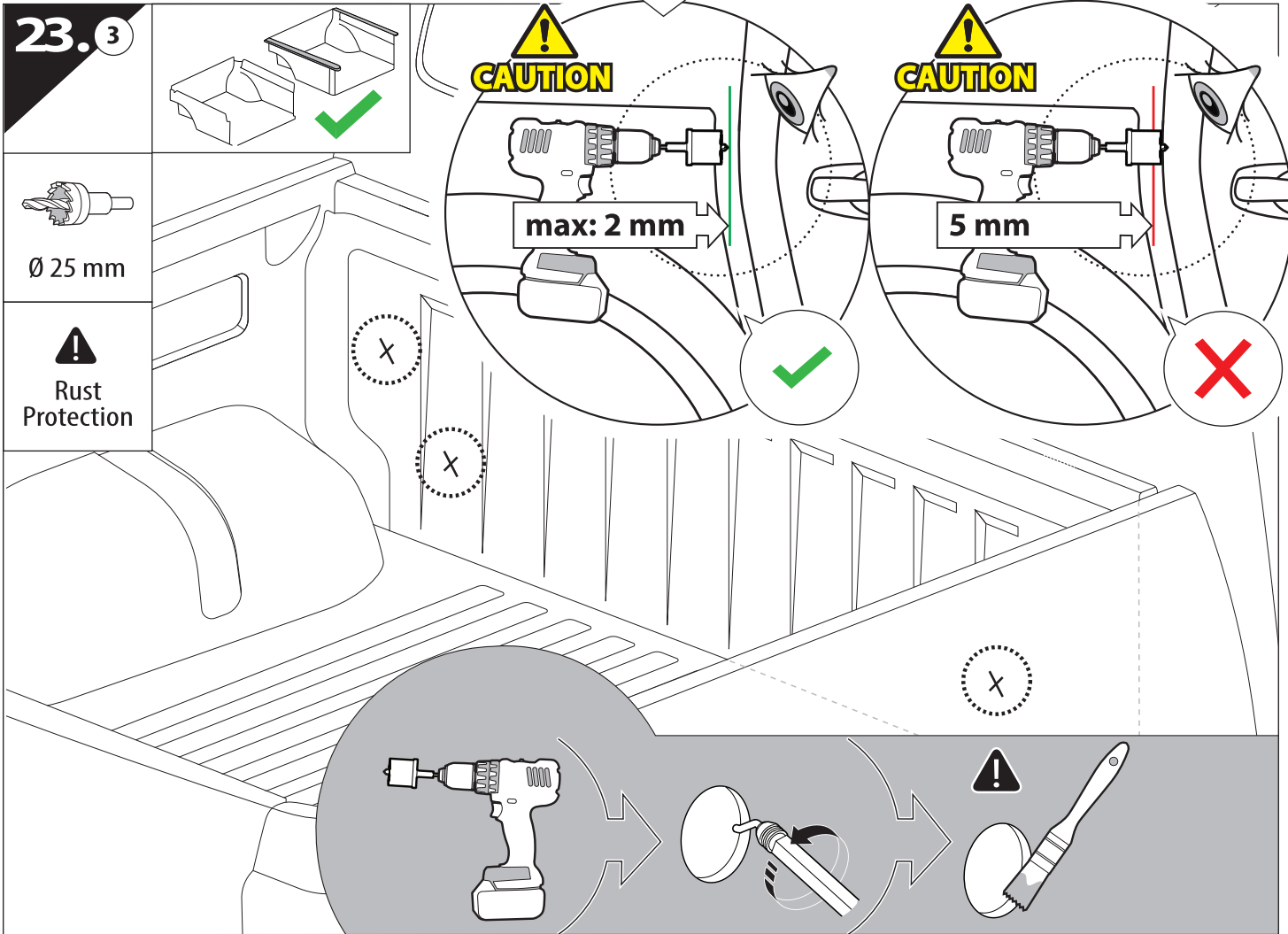


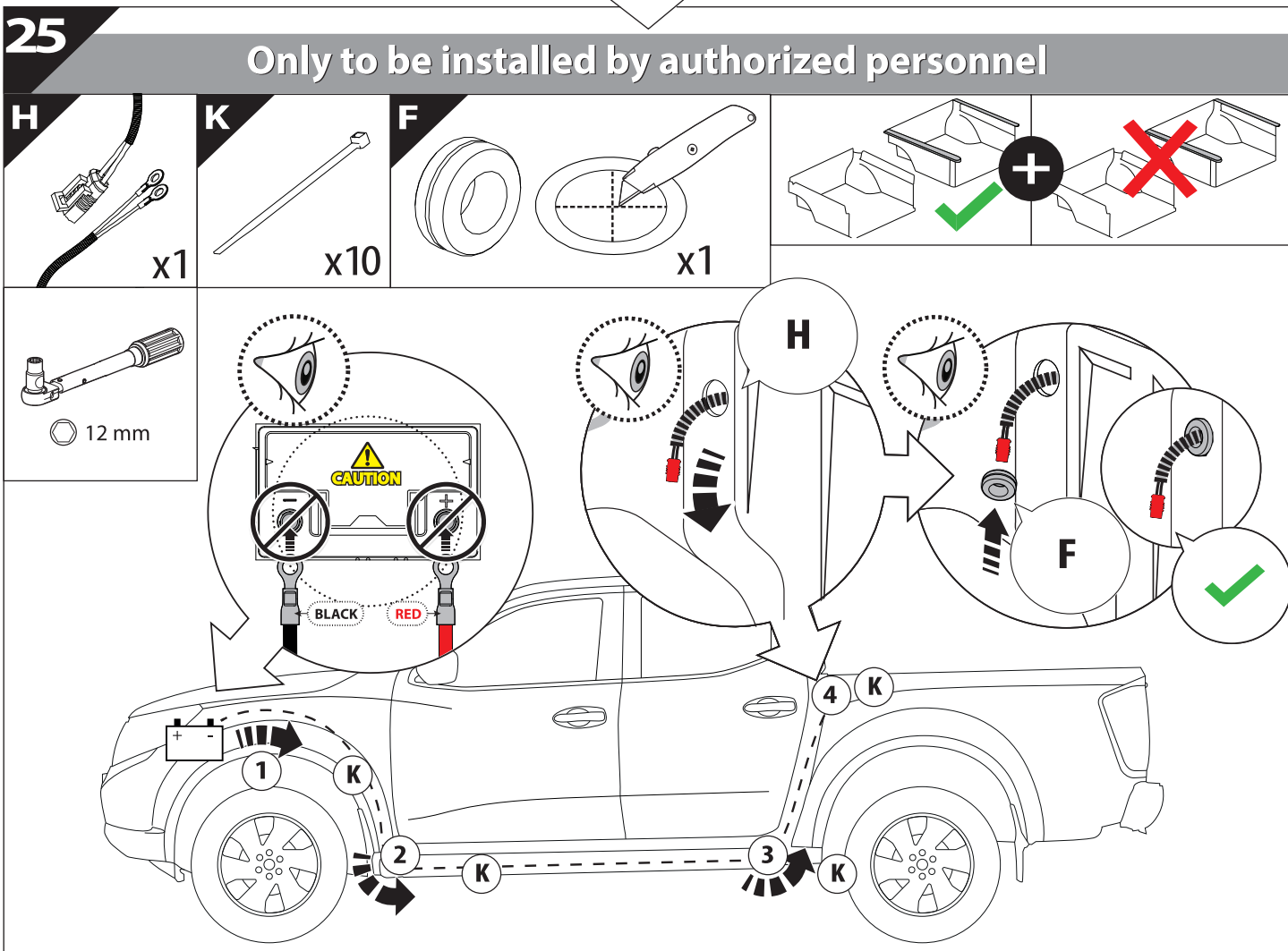
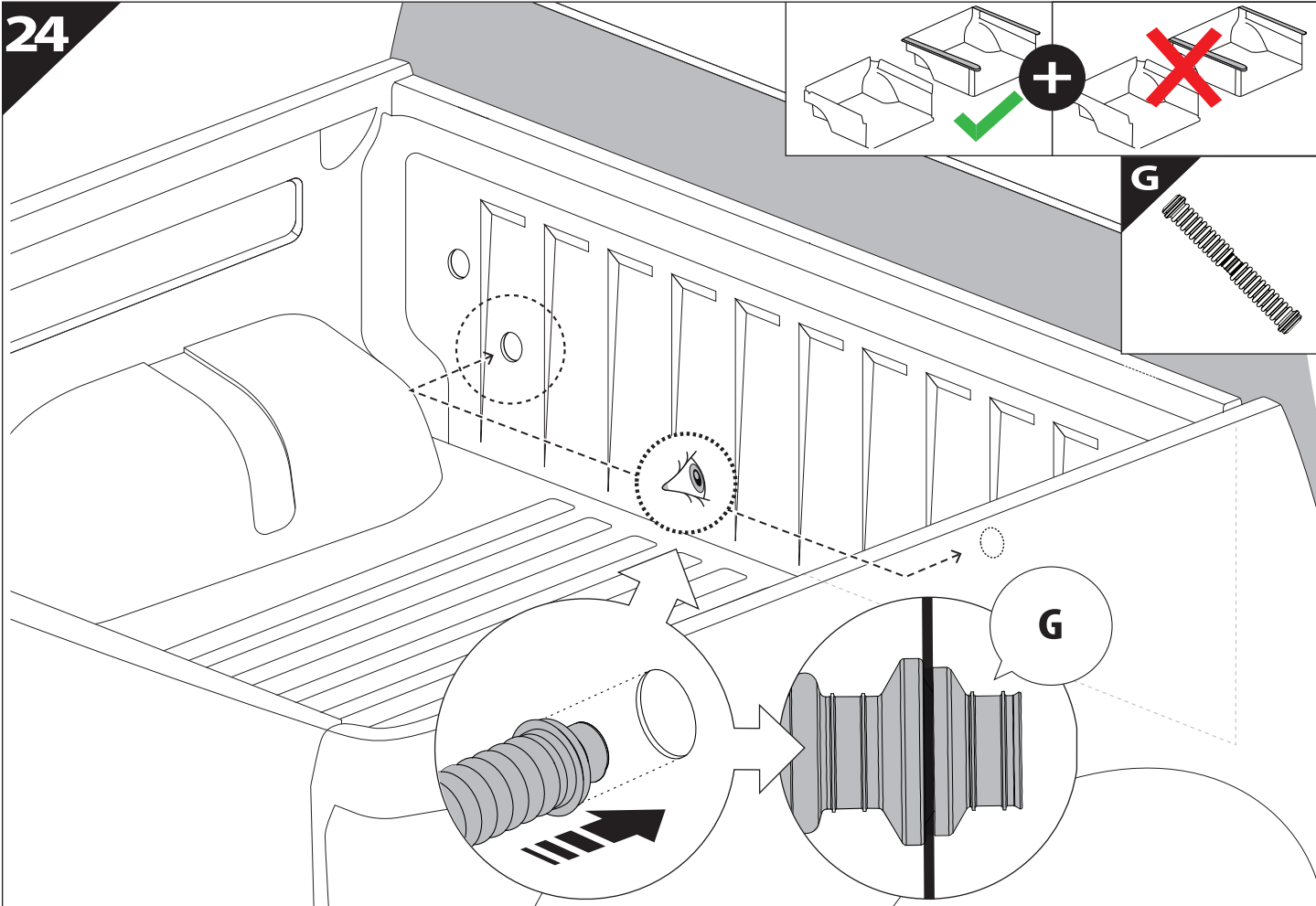


23.2

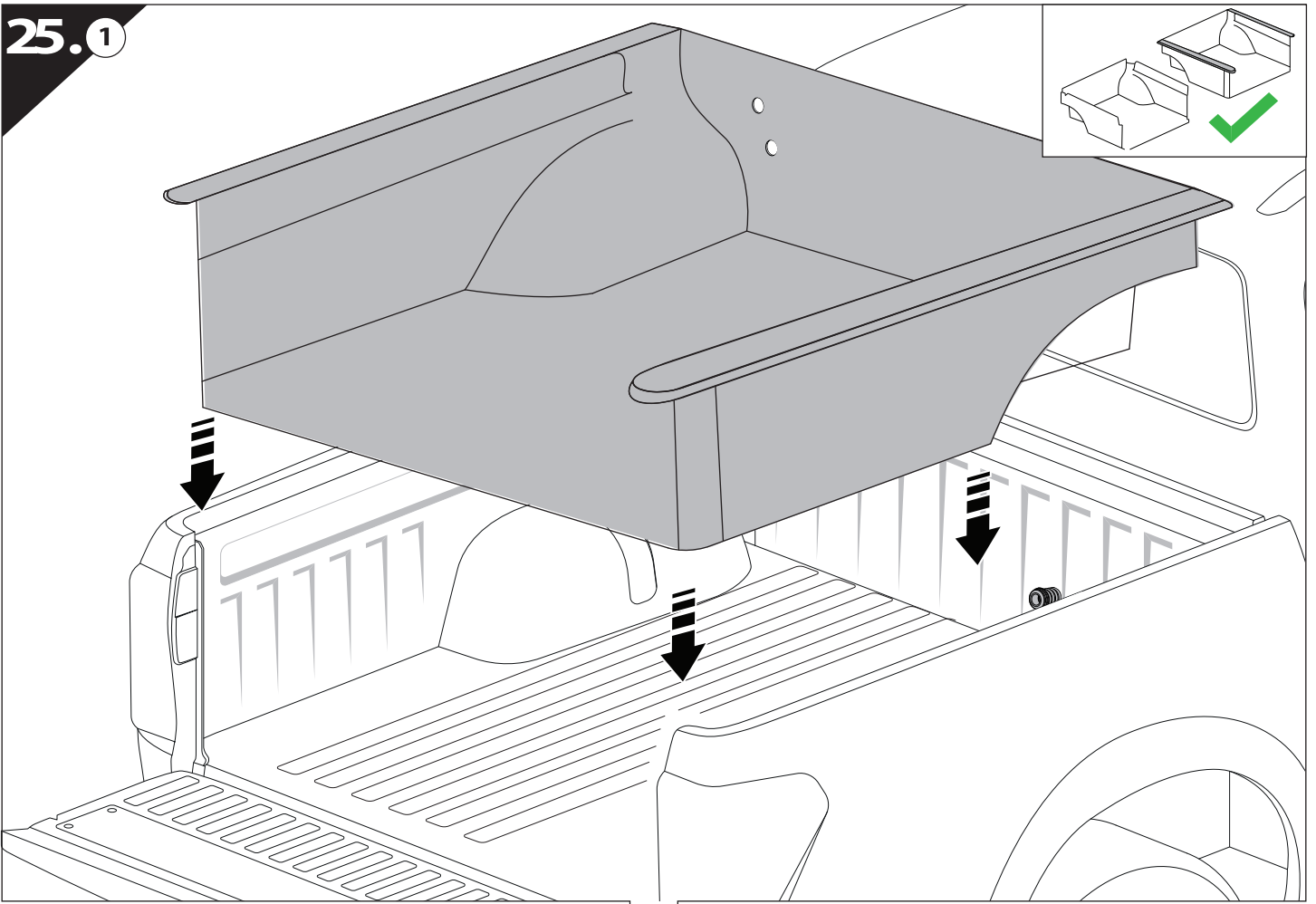


23.3

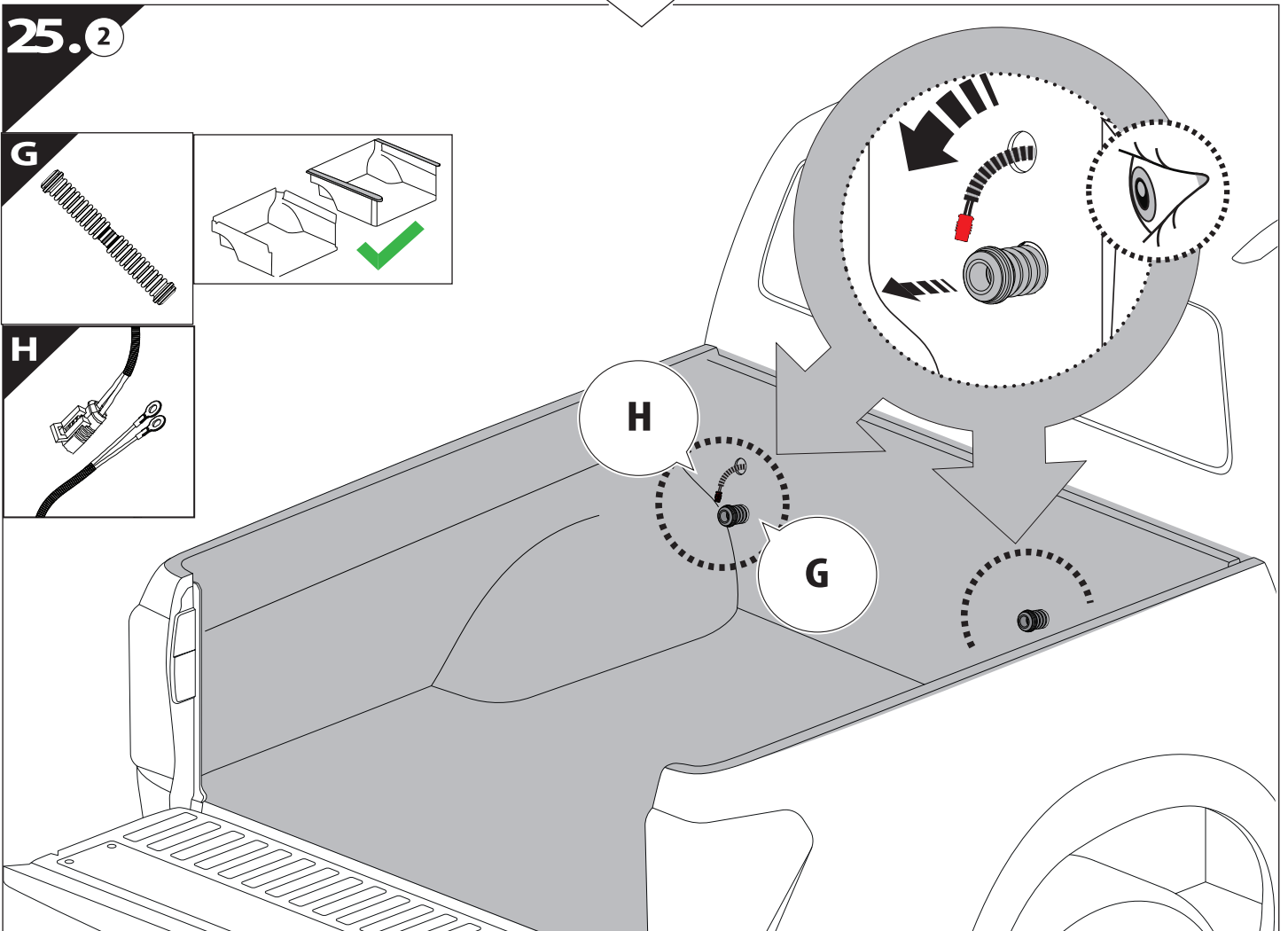




25.1

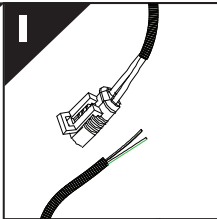


25.2

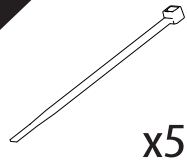


26

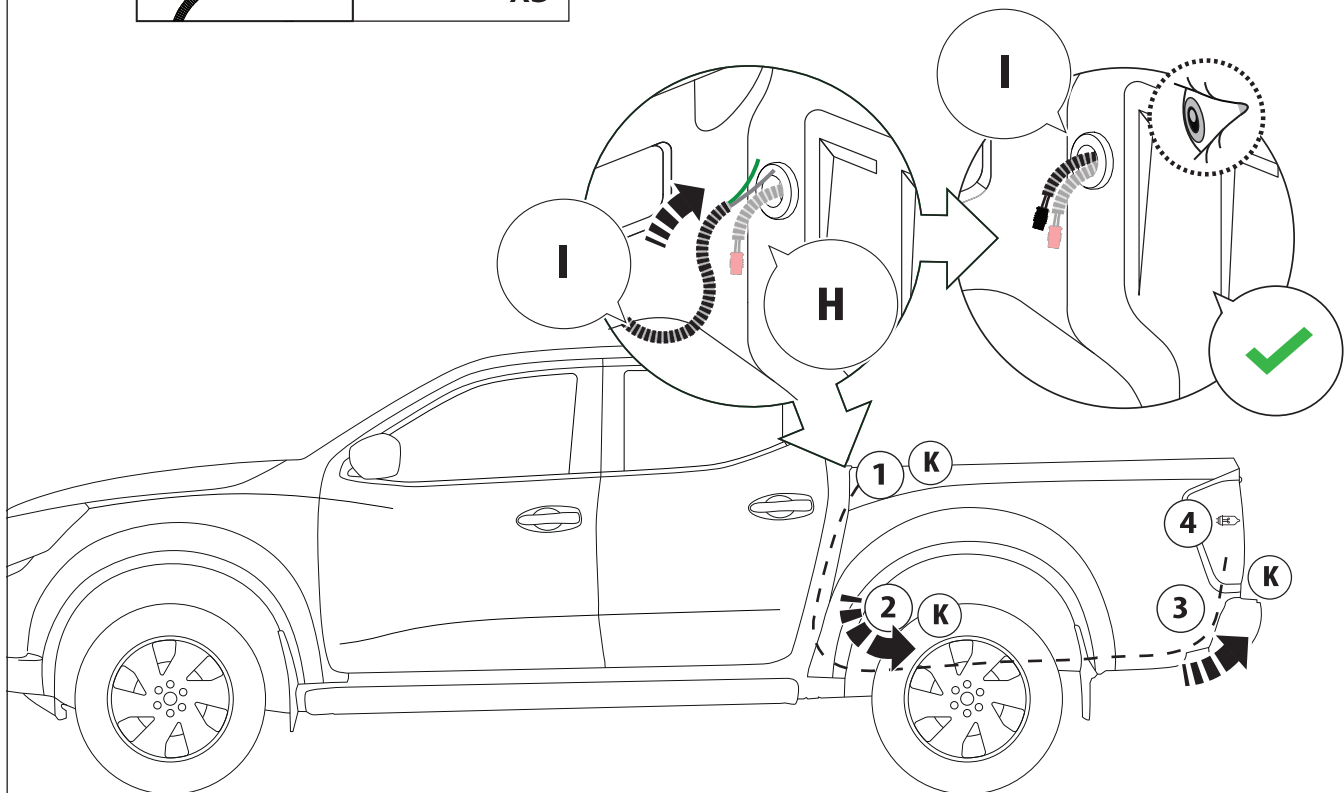
I



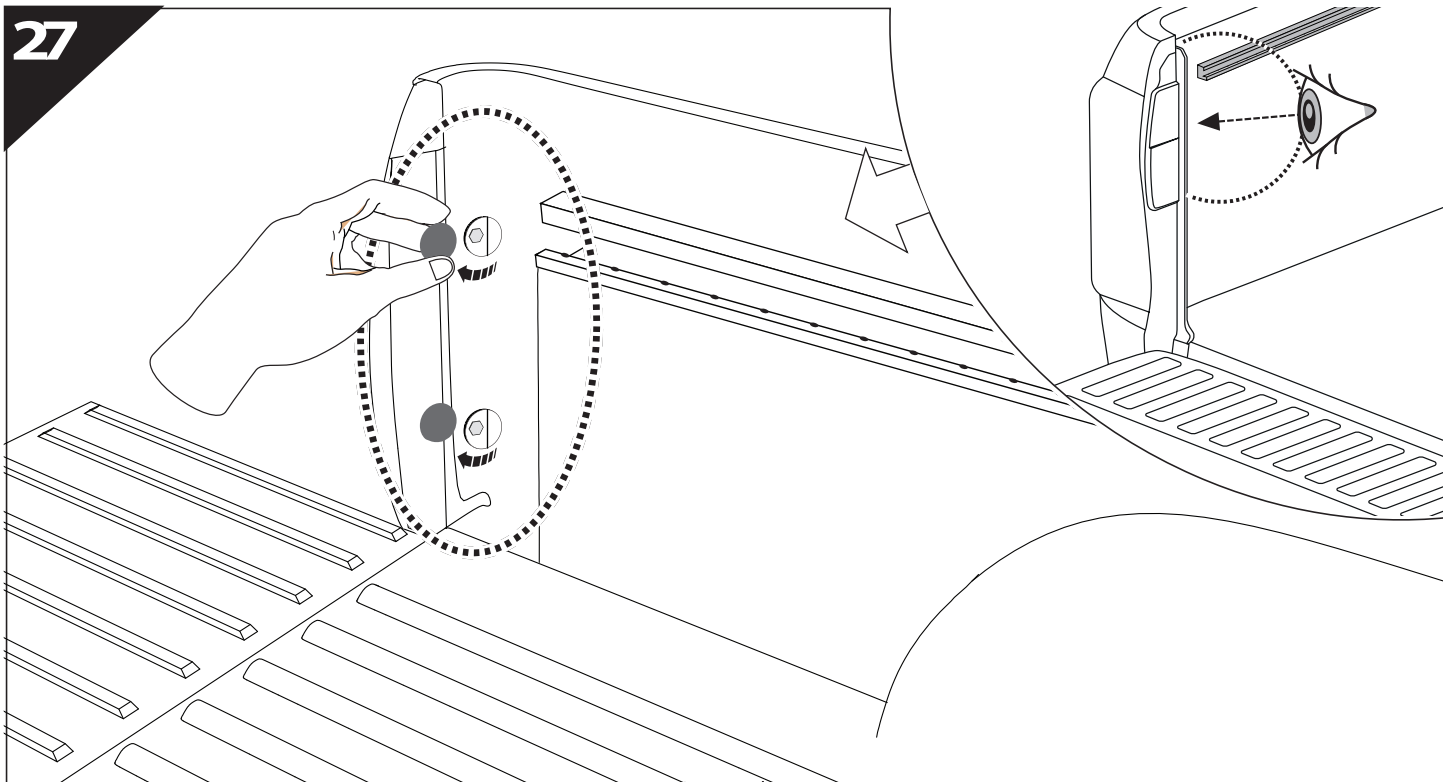
K



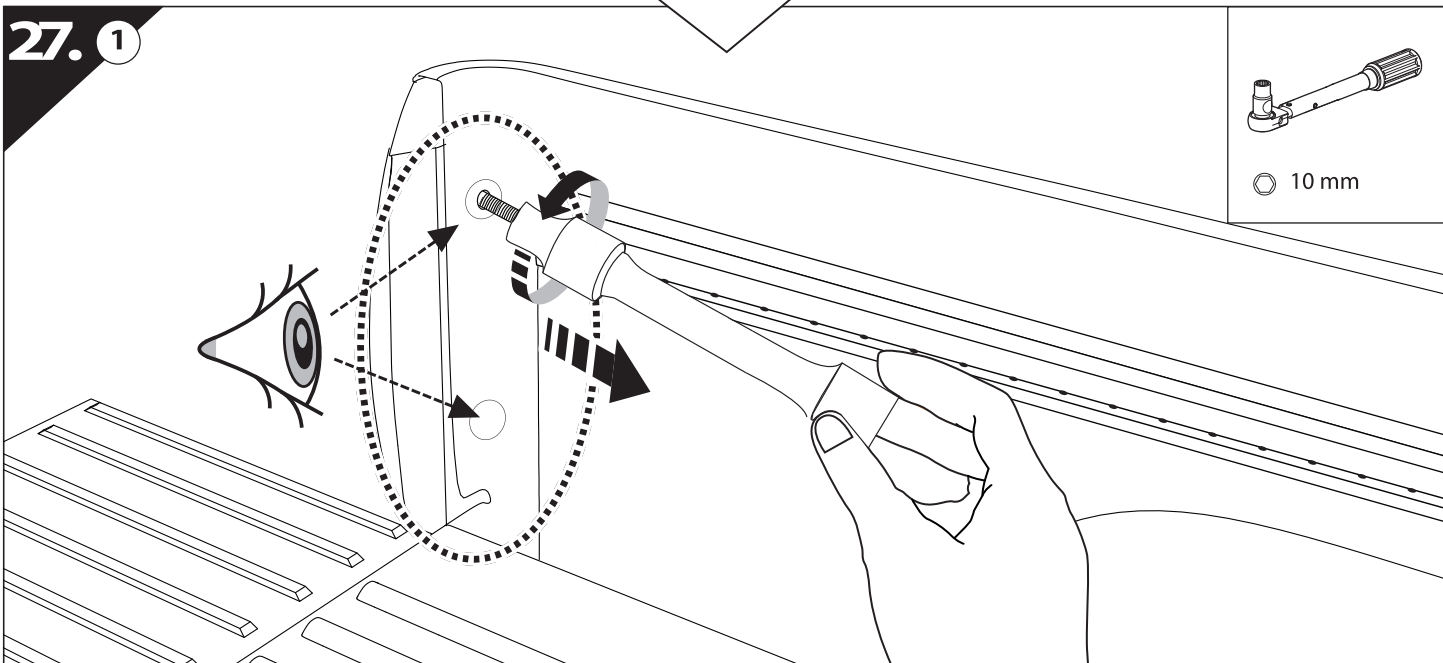
x5



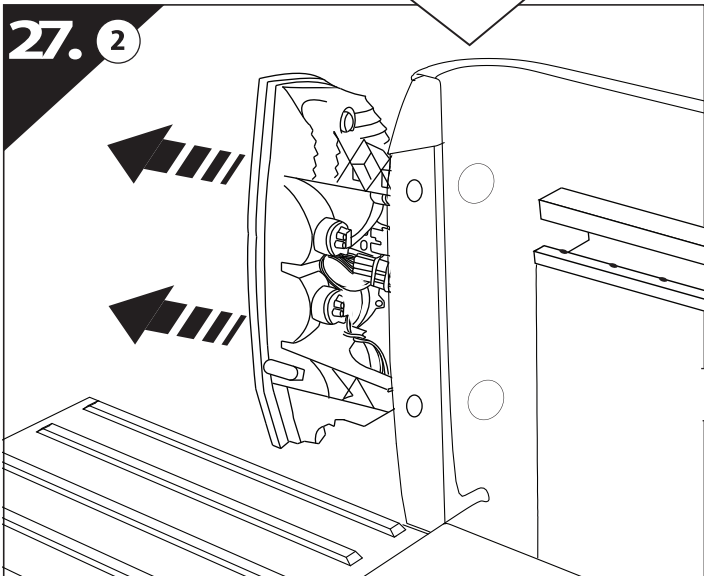
27



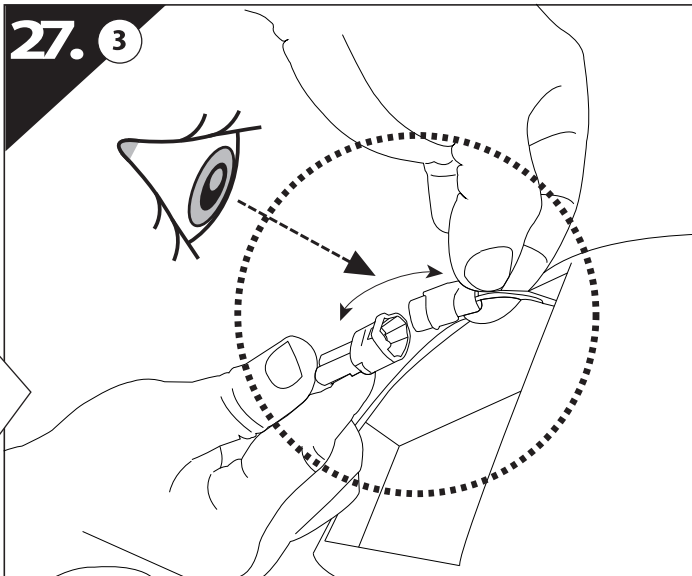
27. 1



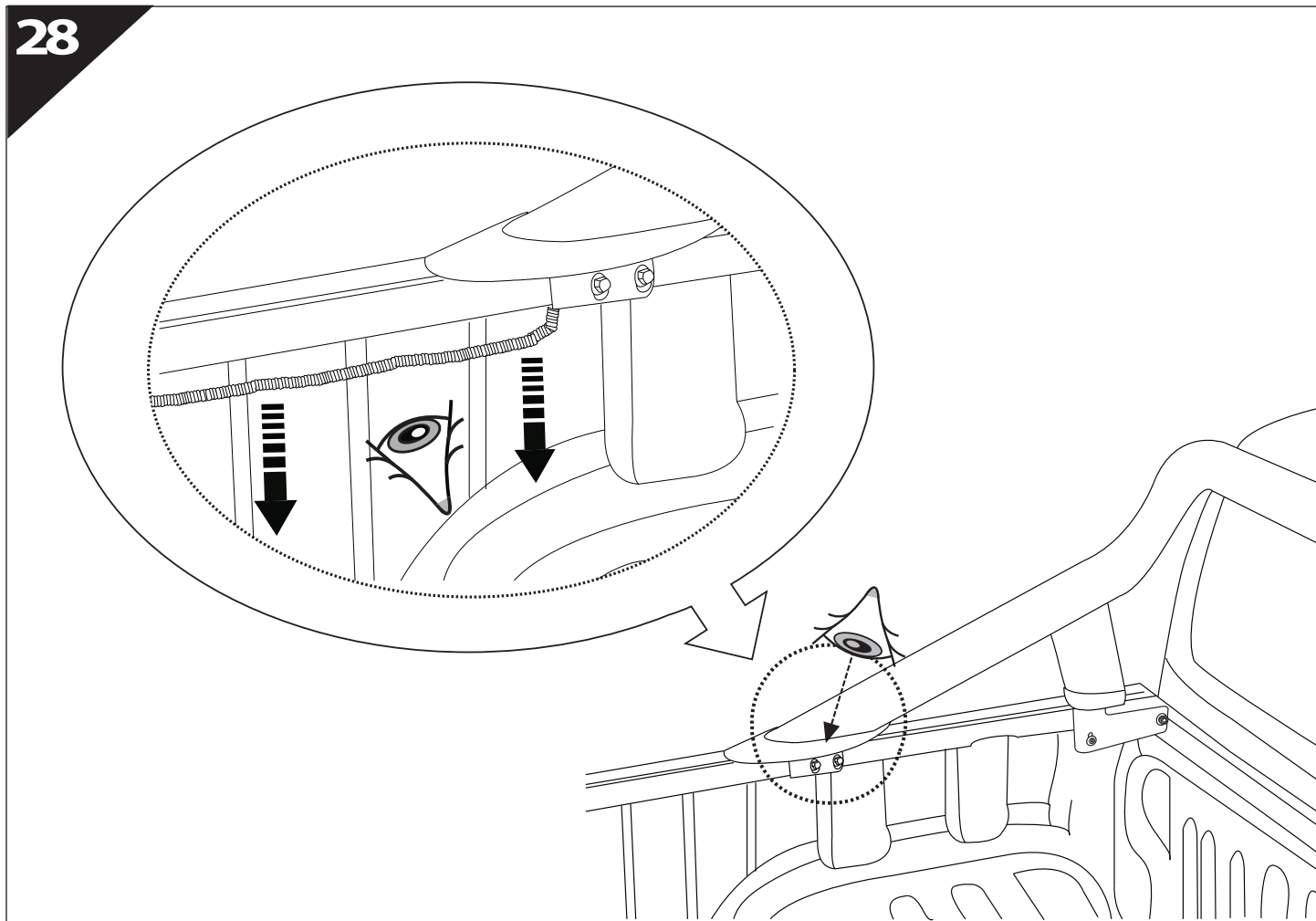
27. 2



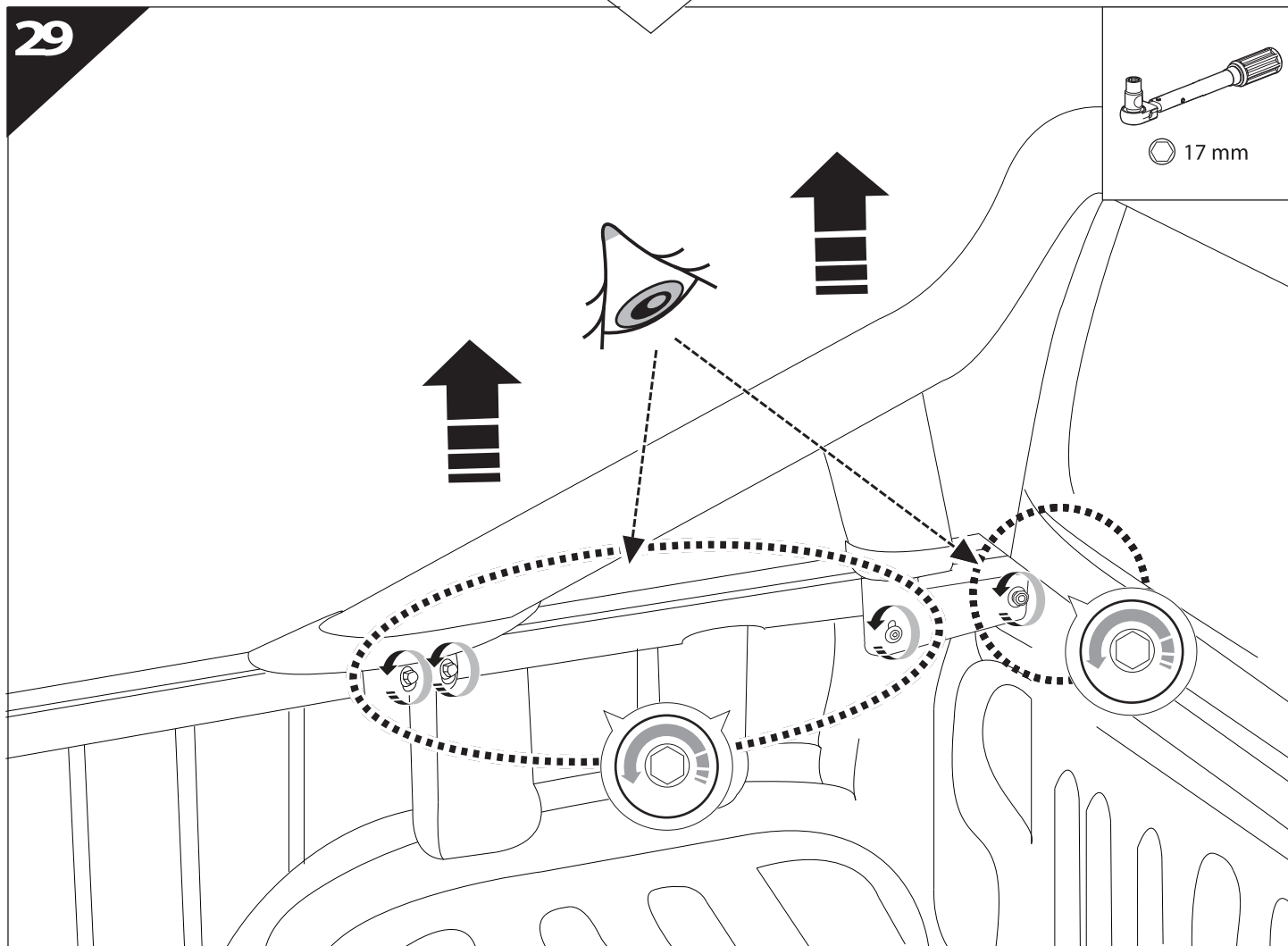
27. 3

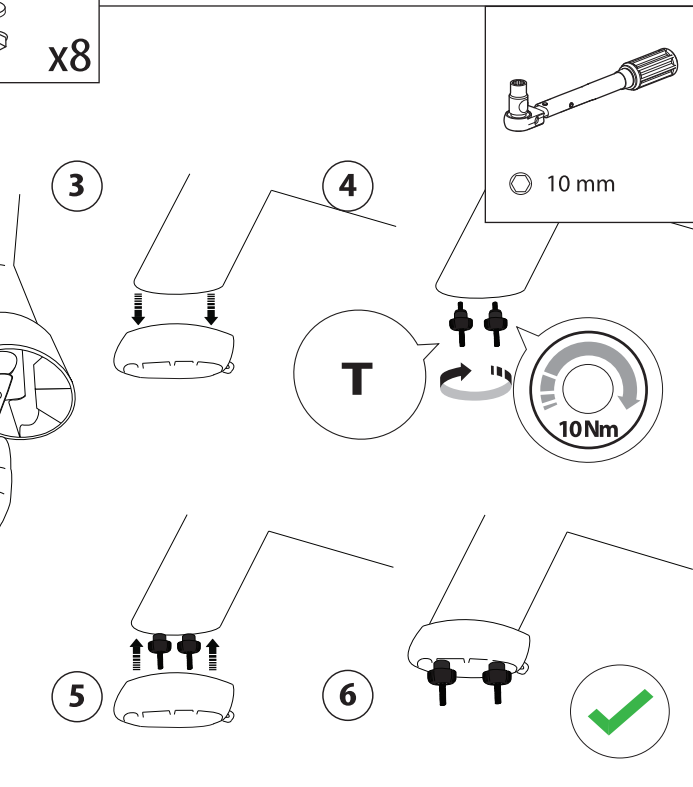
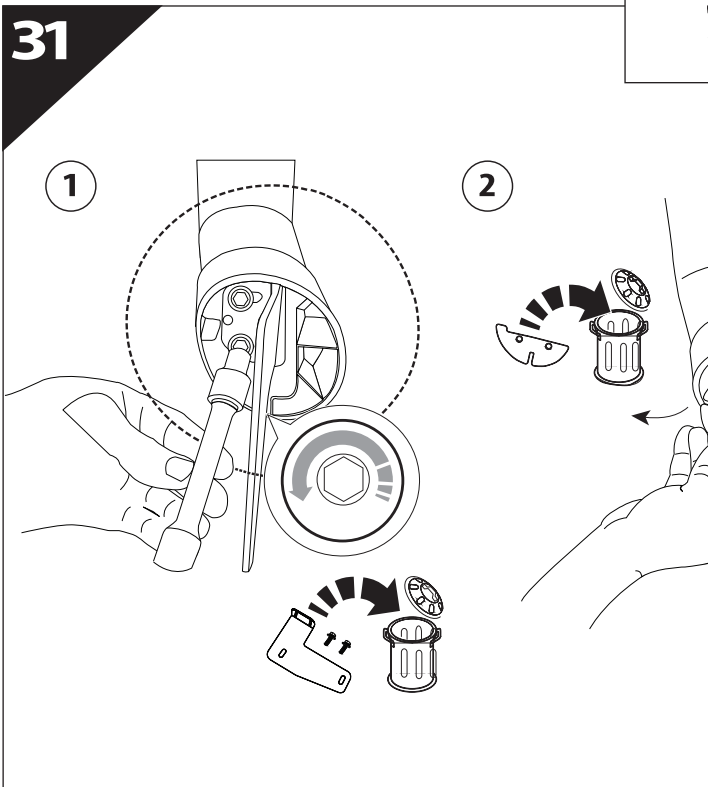
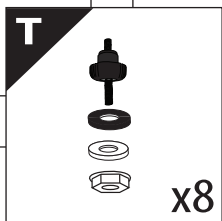
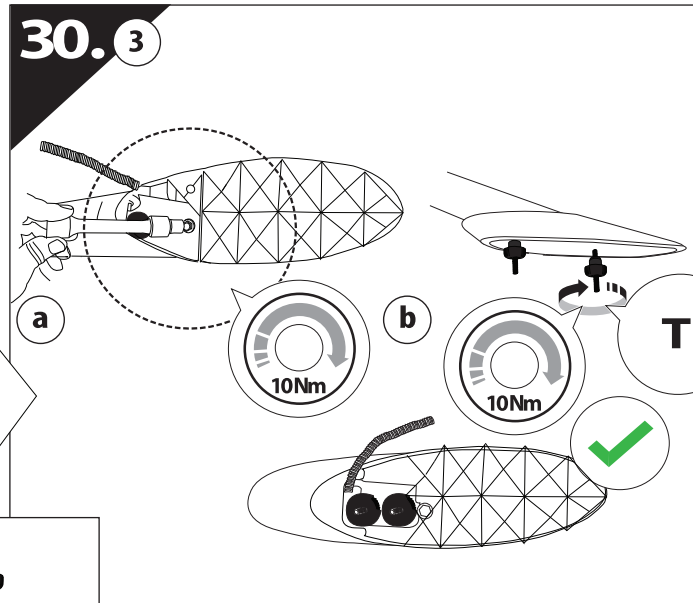
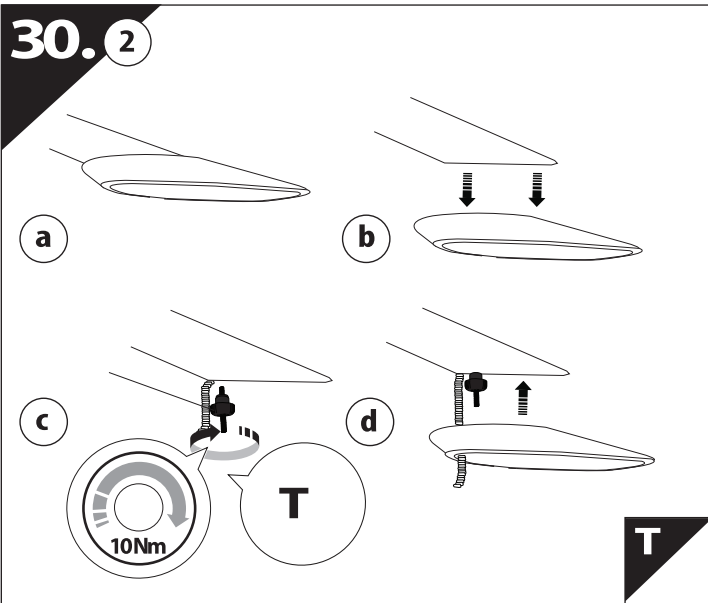
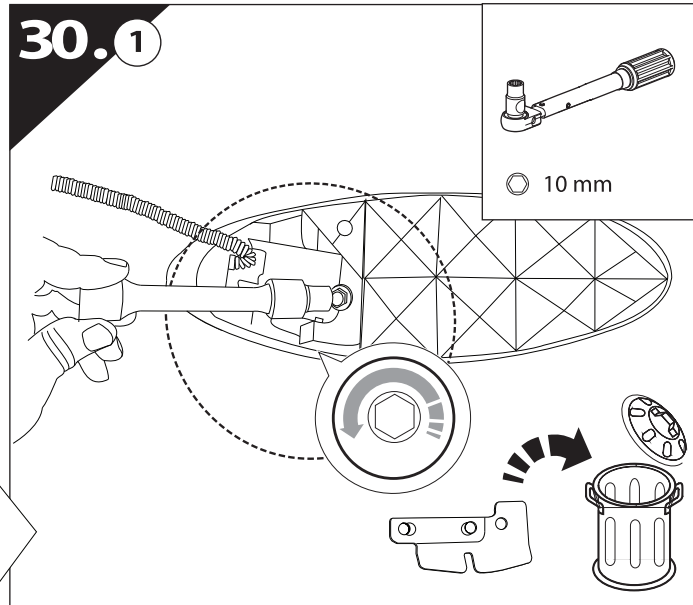
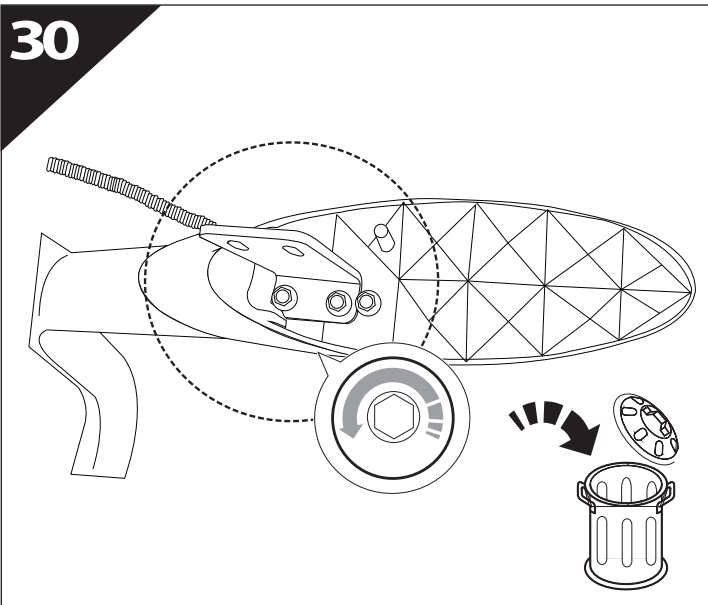


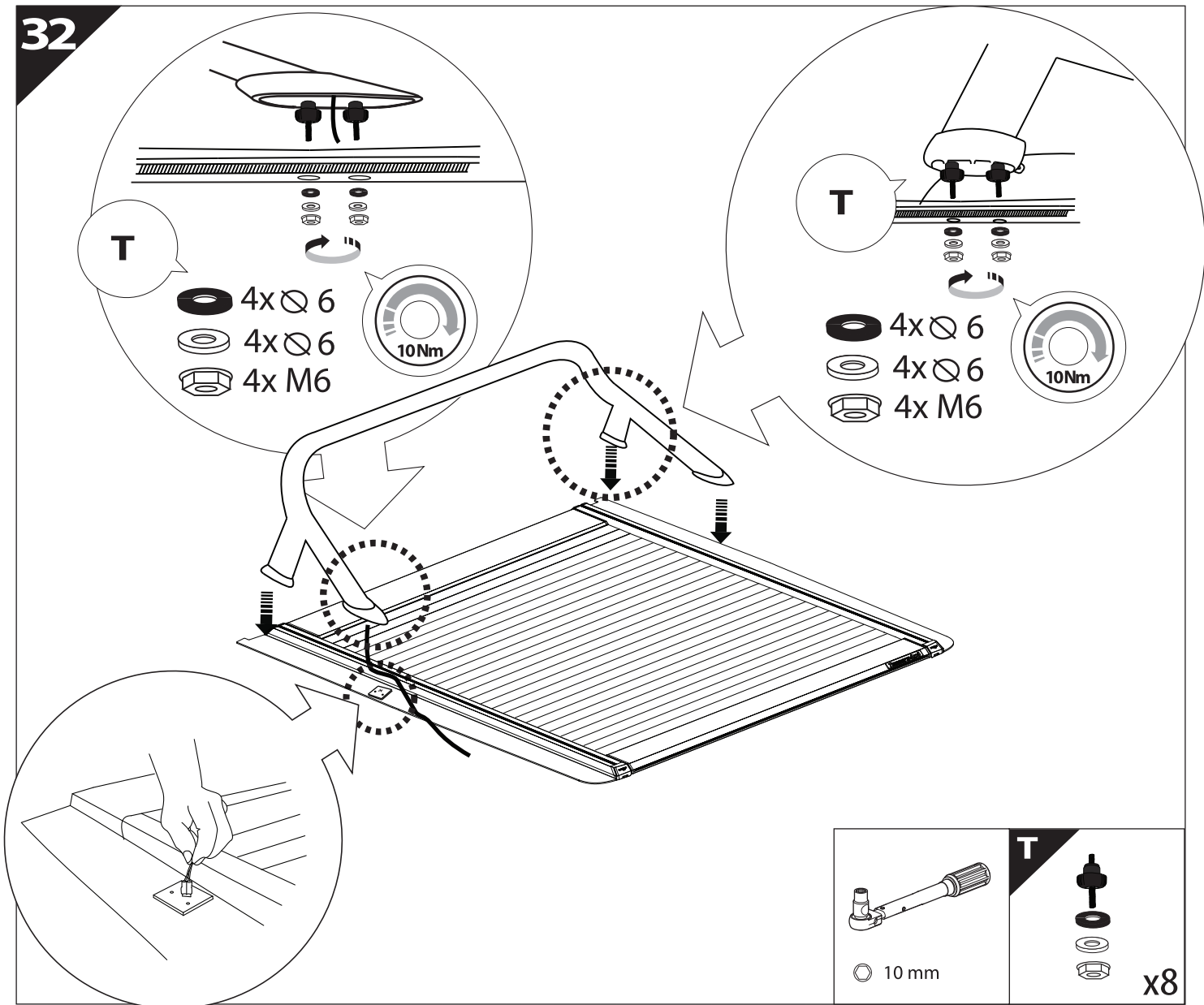
28



29

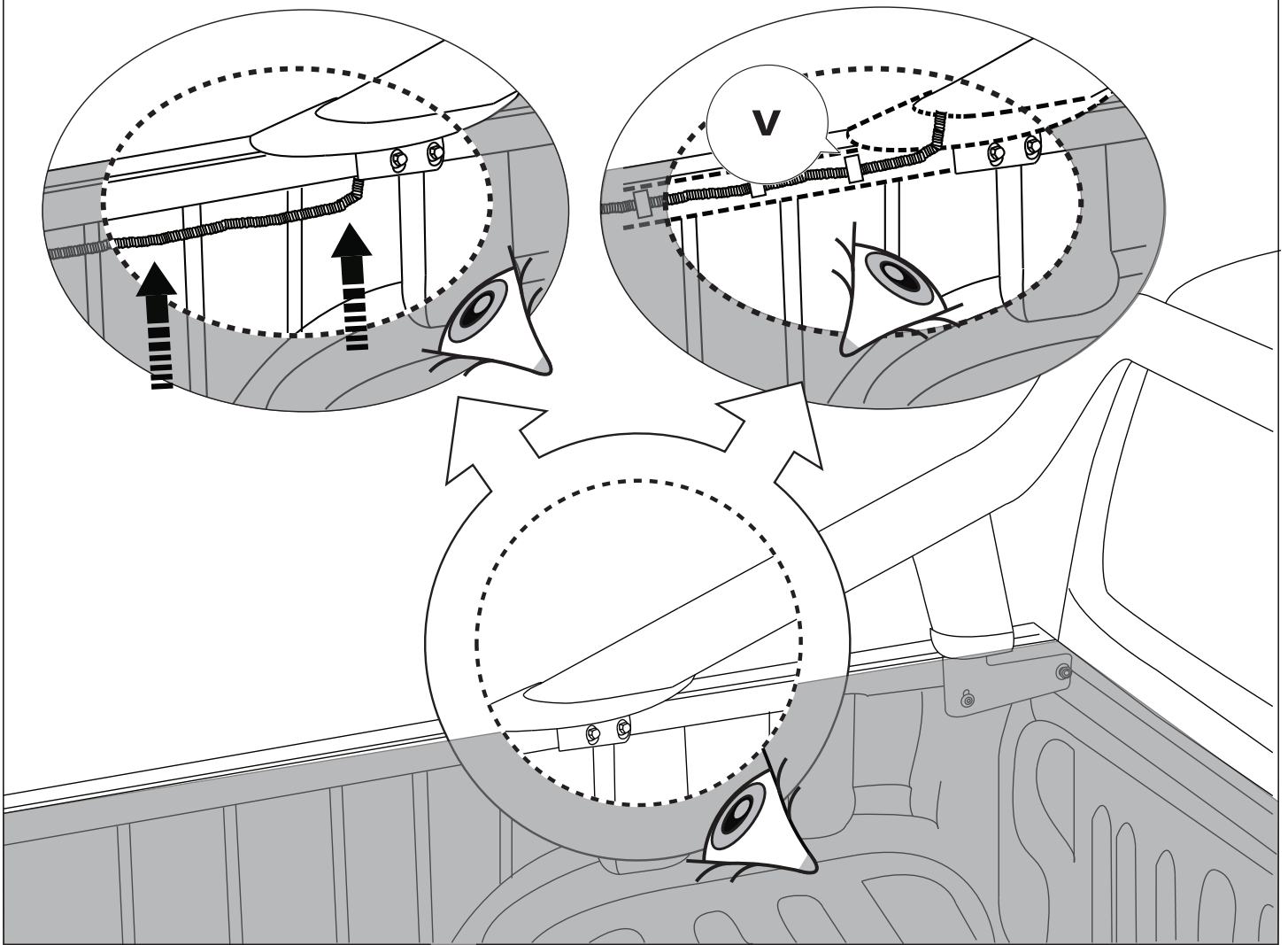
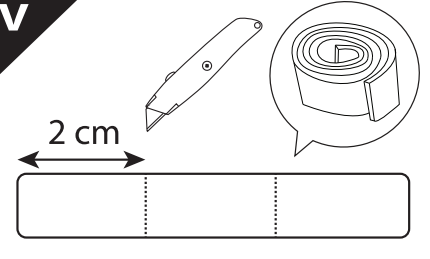




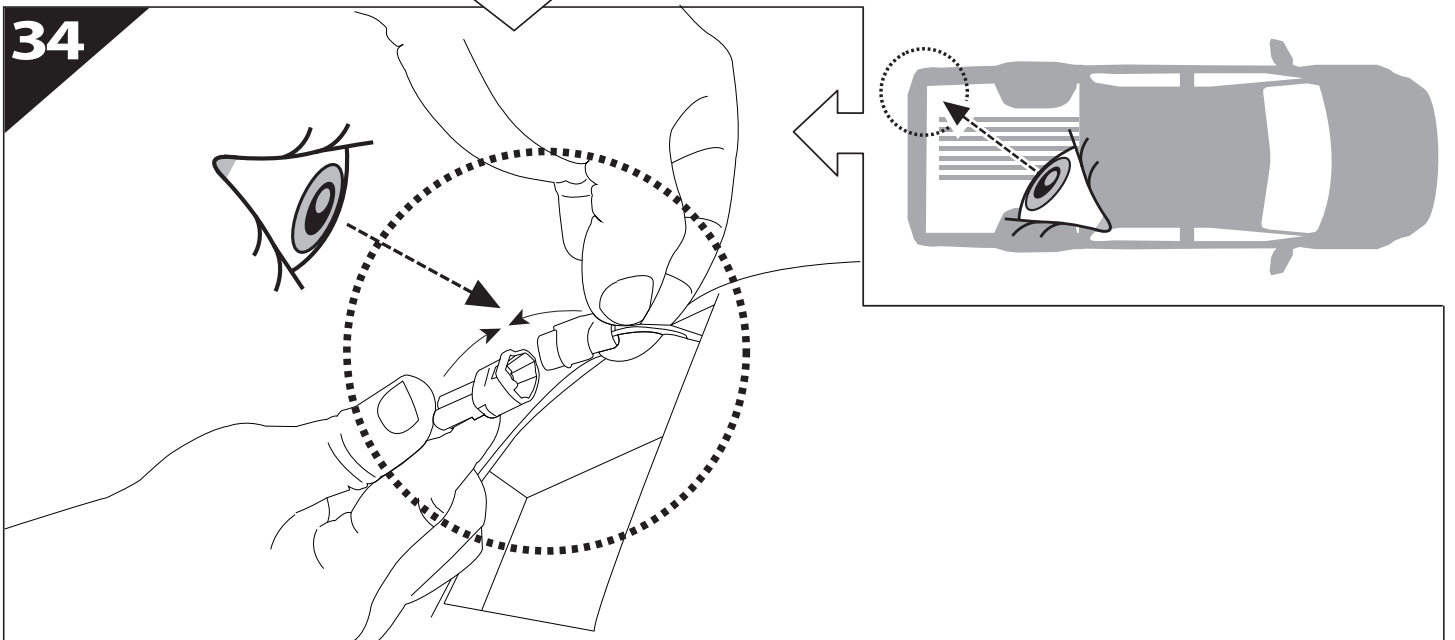


33

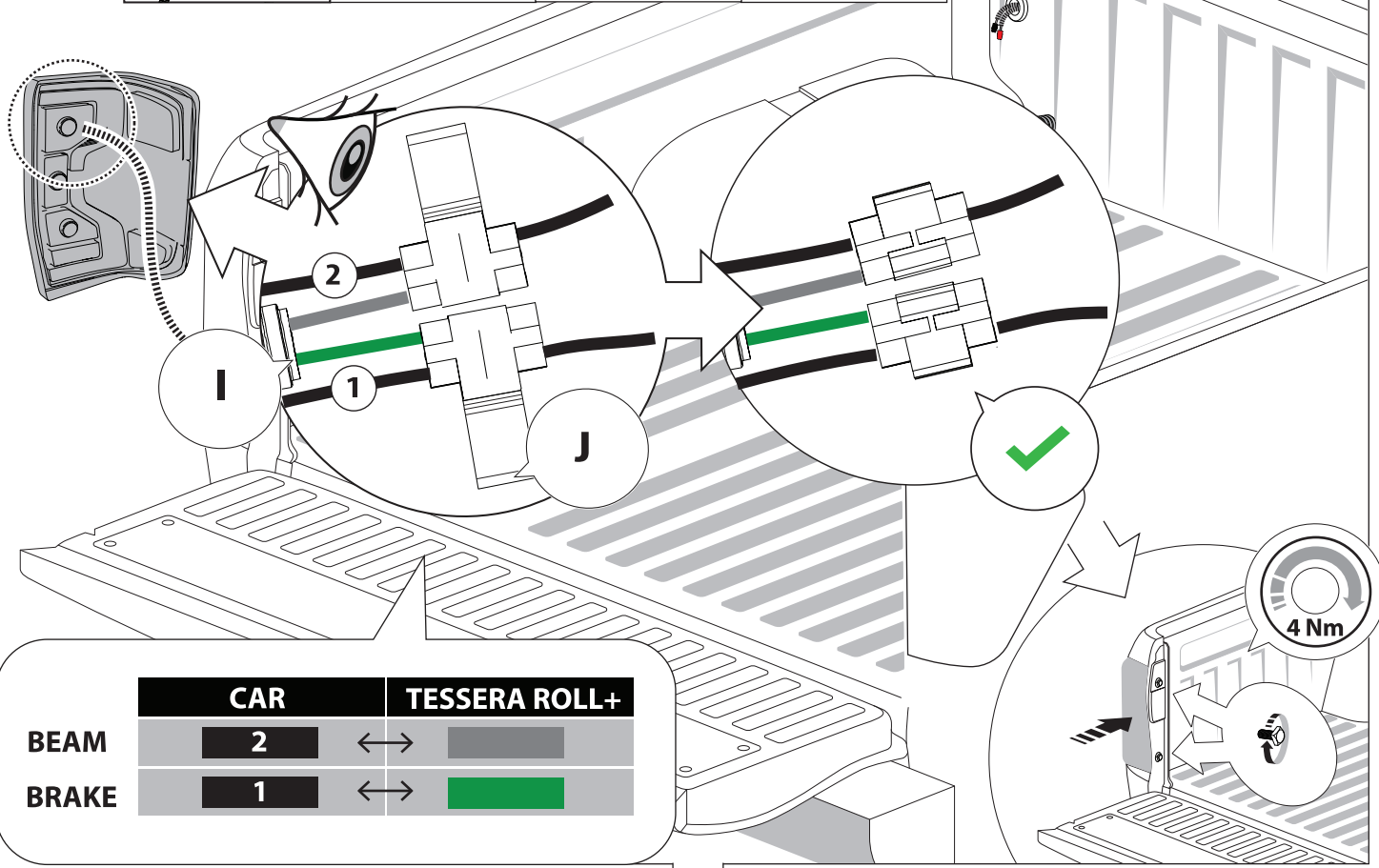
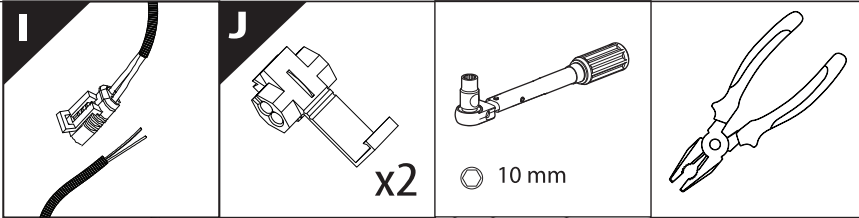
V



34

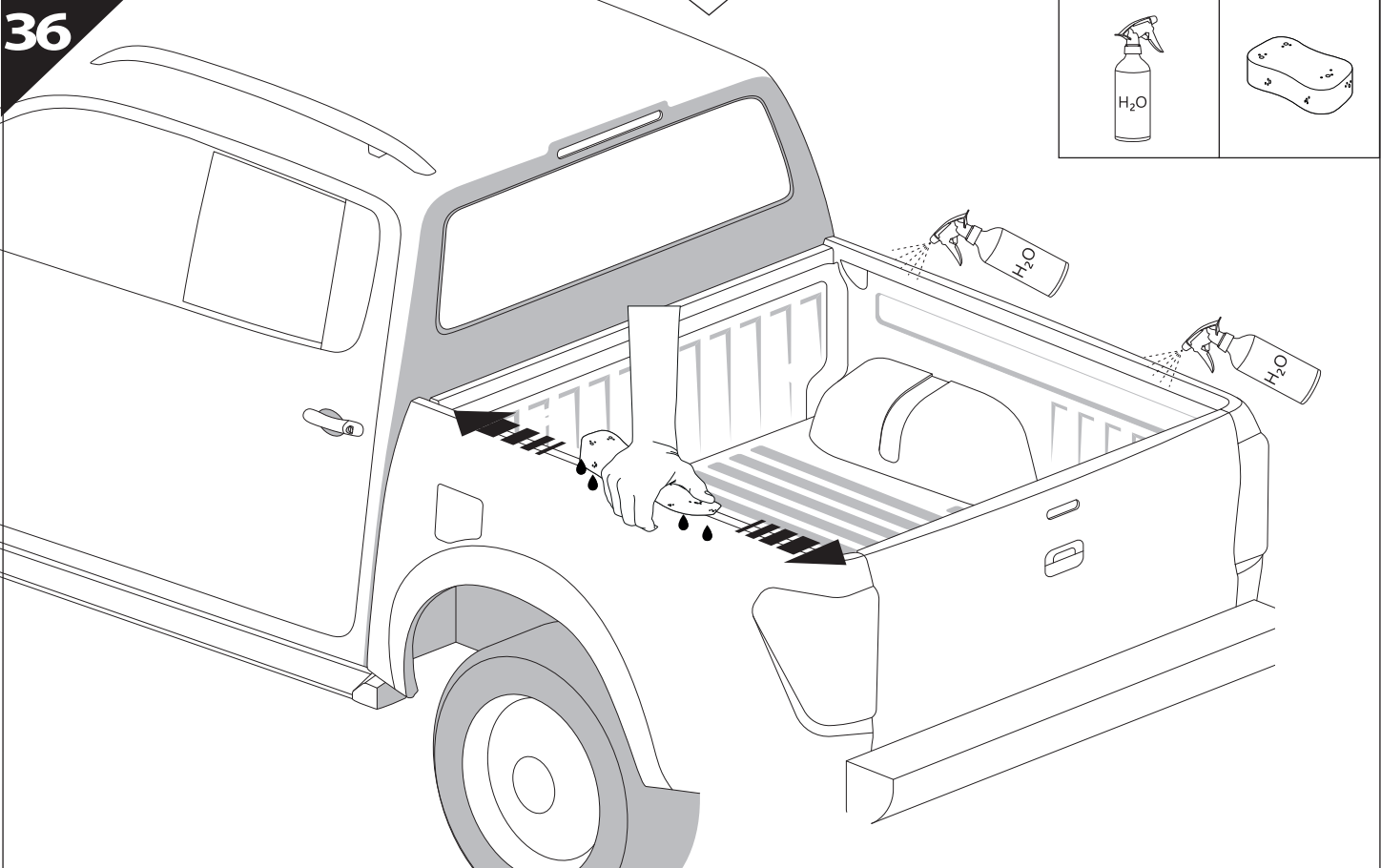
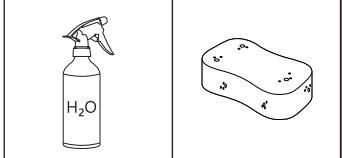


35



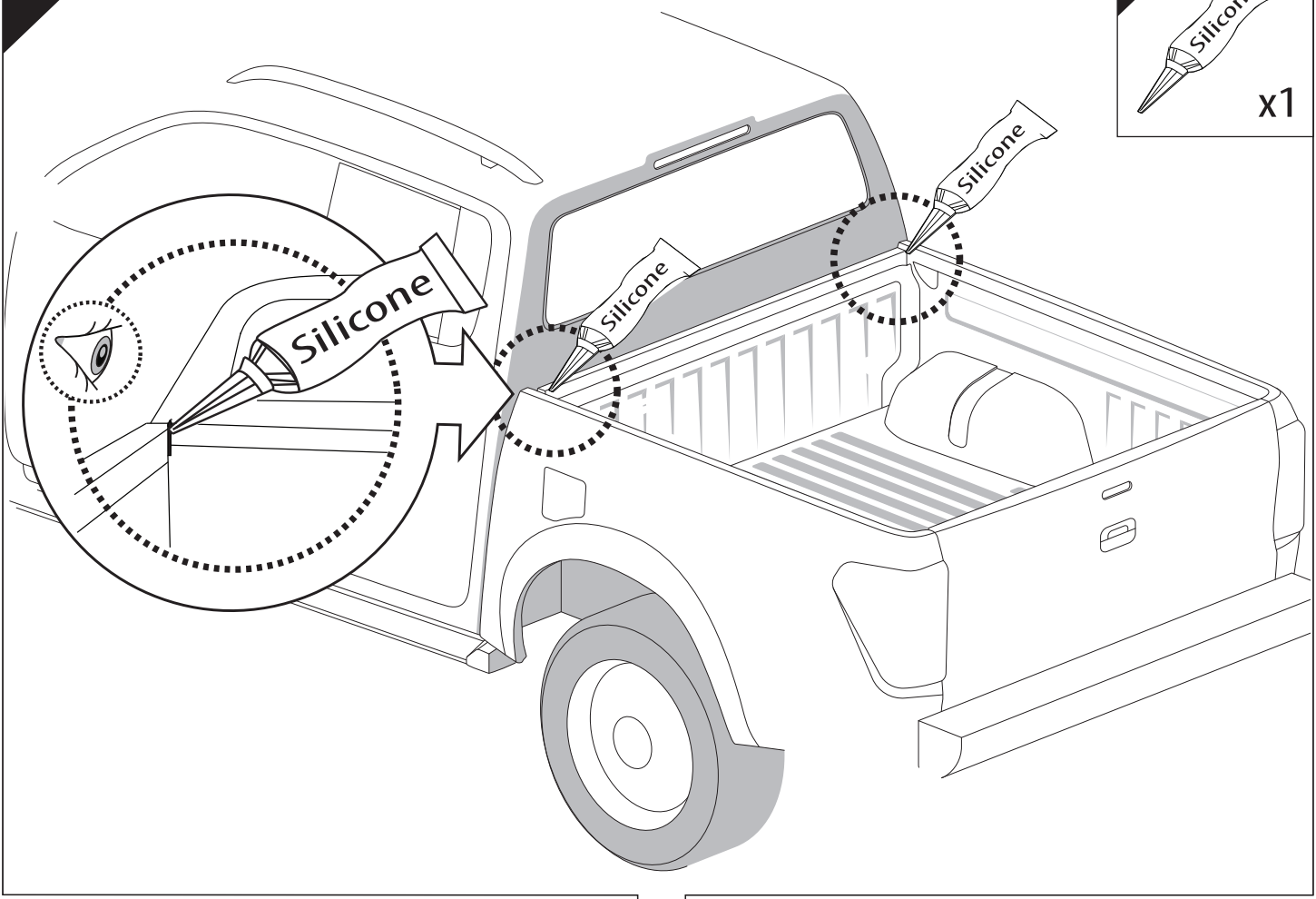
	CAR	TESSERA ROLL+
BEAM	2	↔
BRAKE	1	↔

36



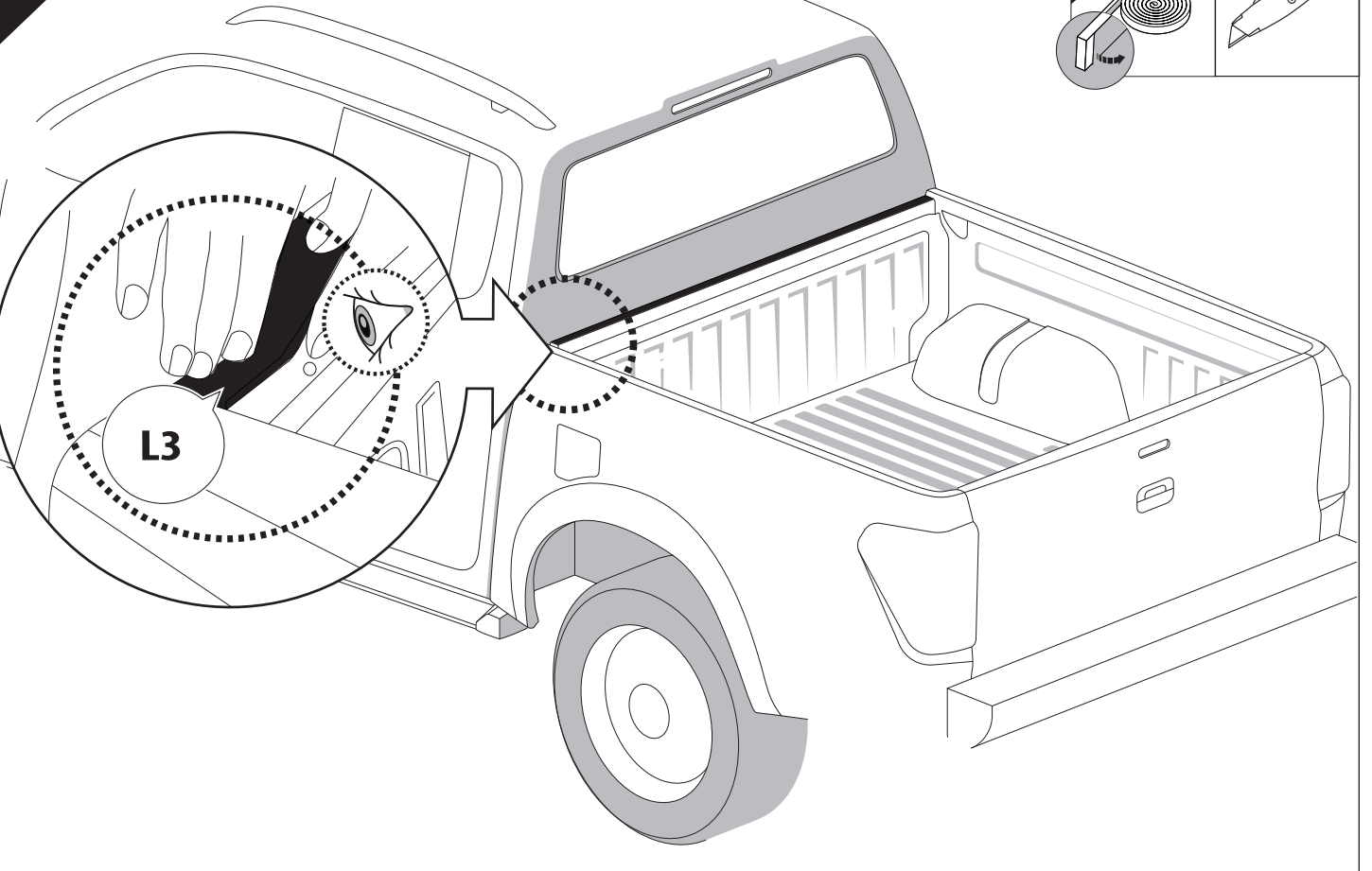
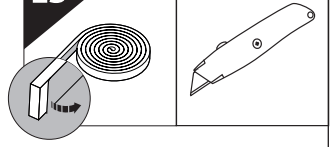
37

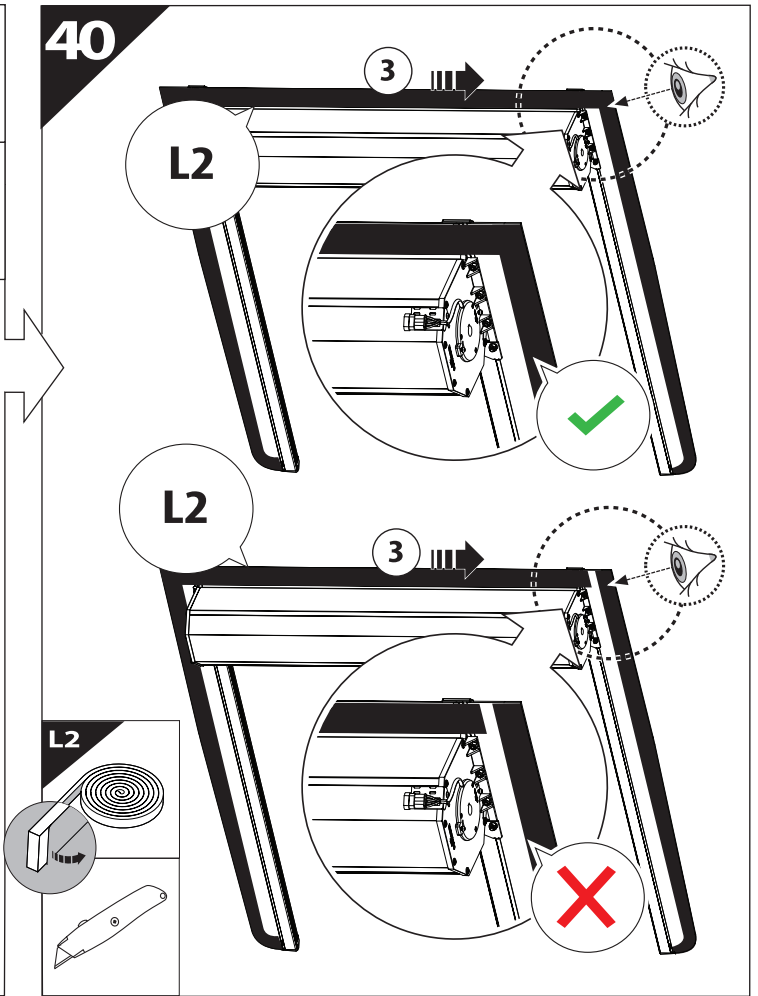
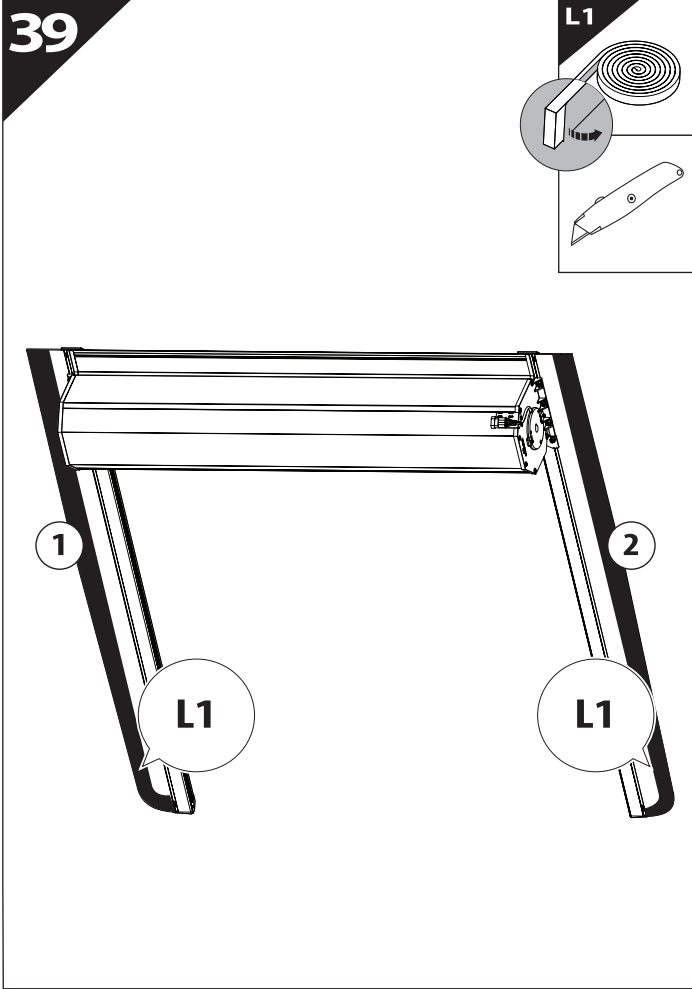
C

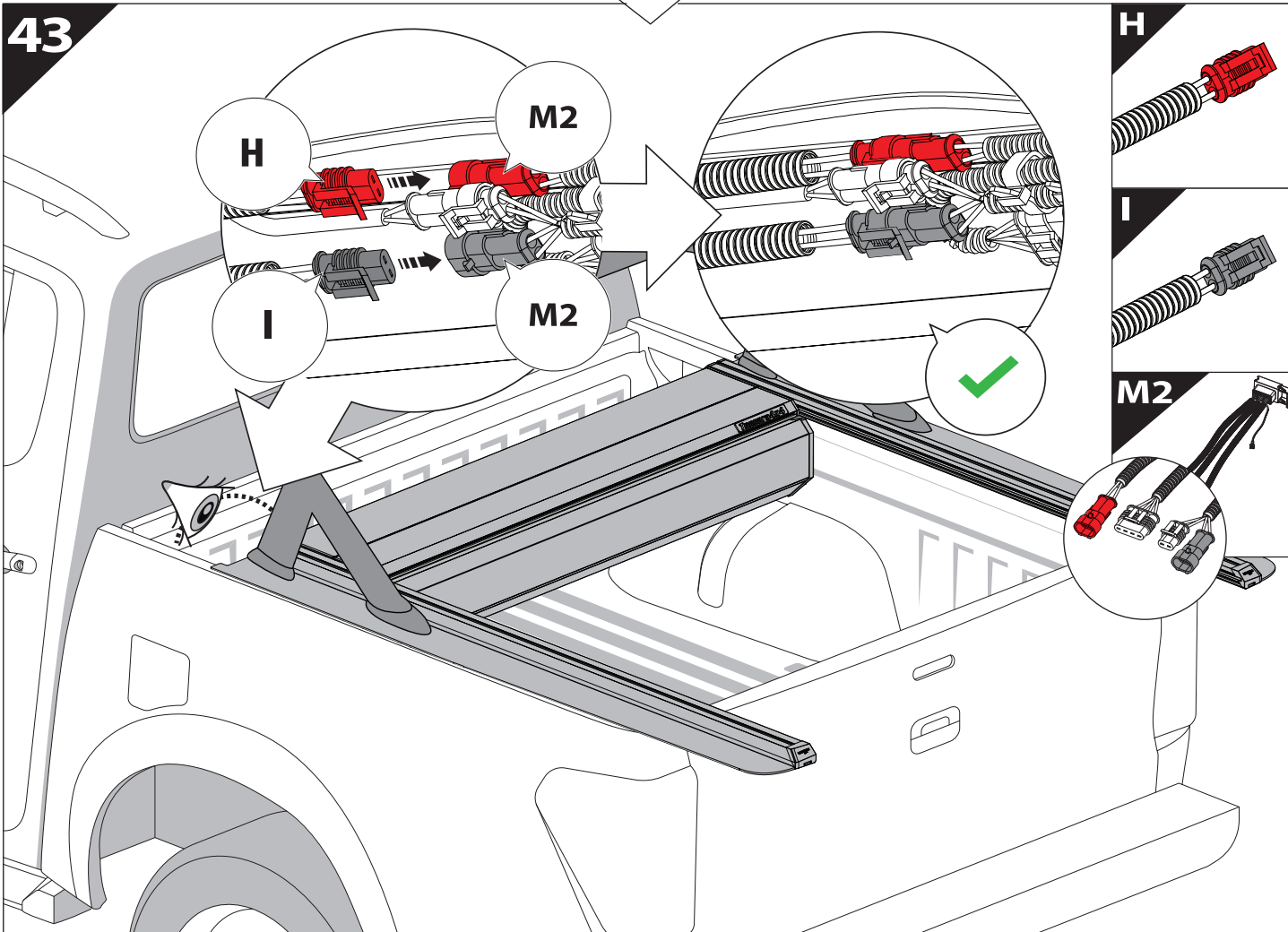
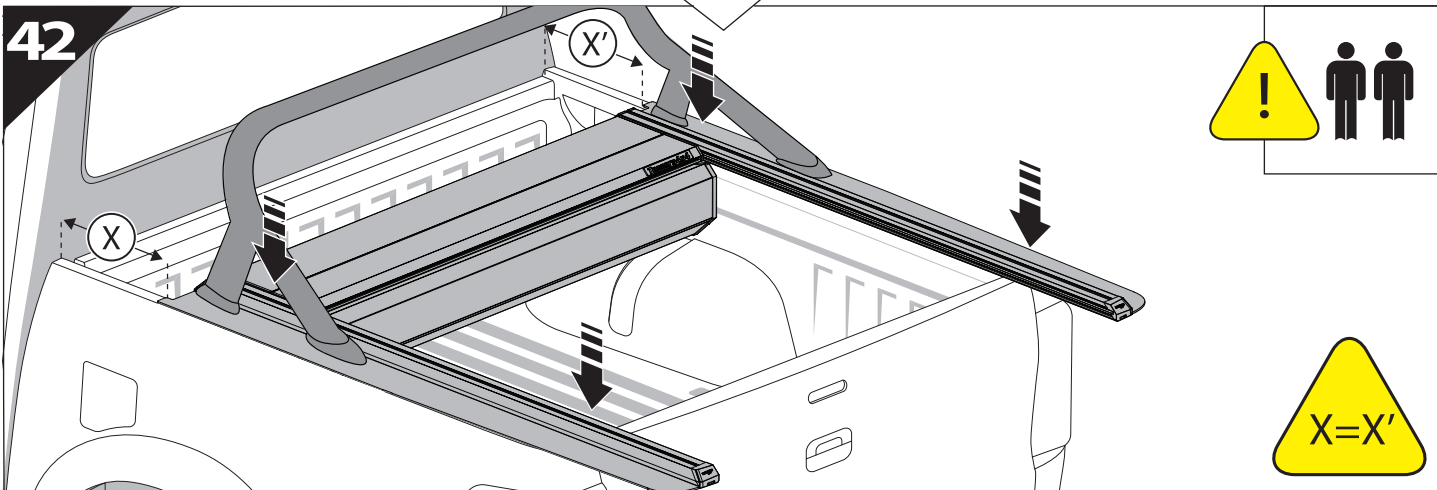
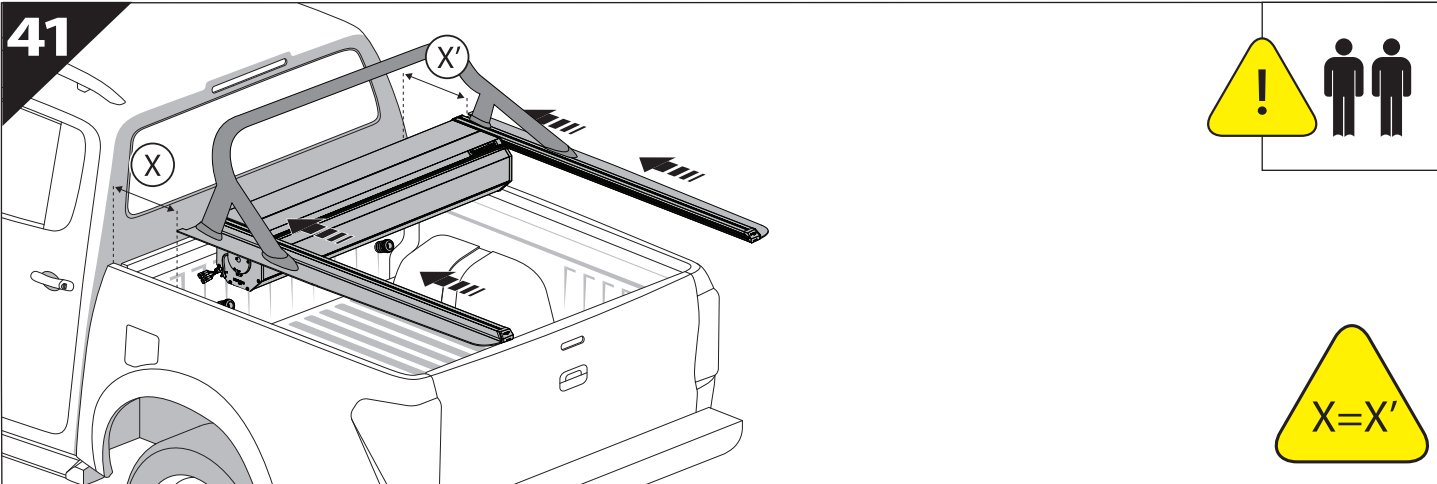


38

L3

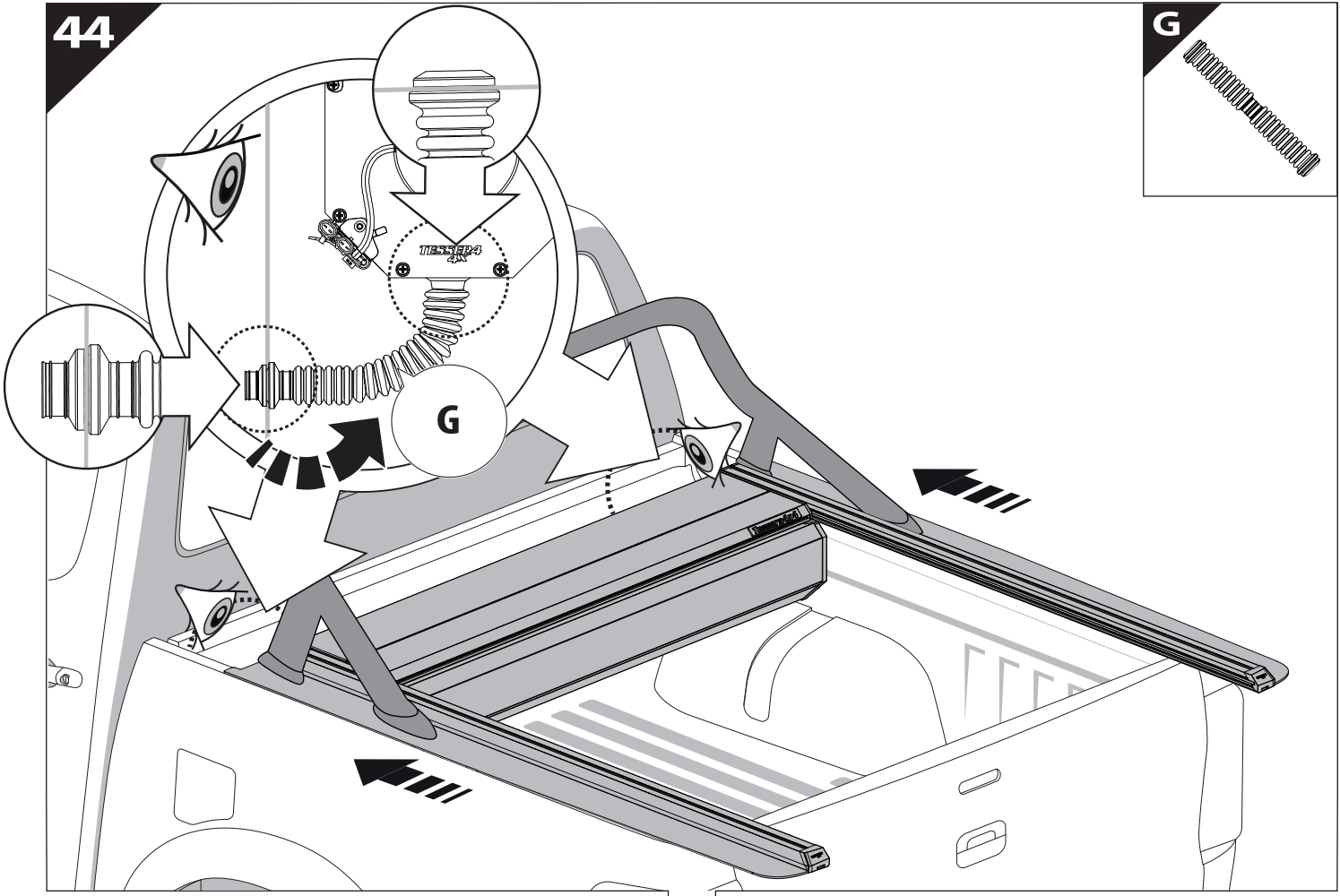




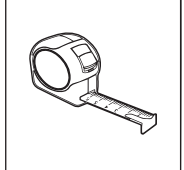
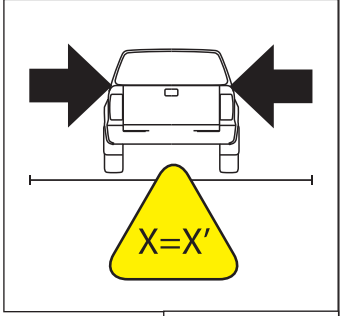
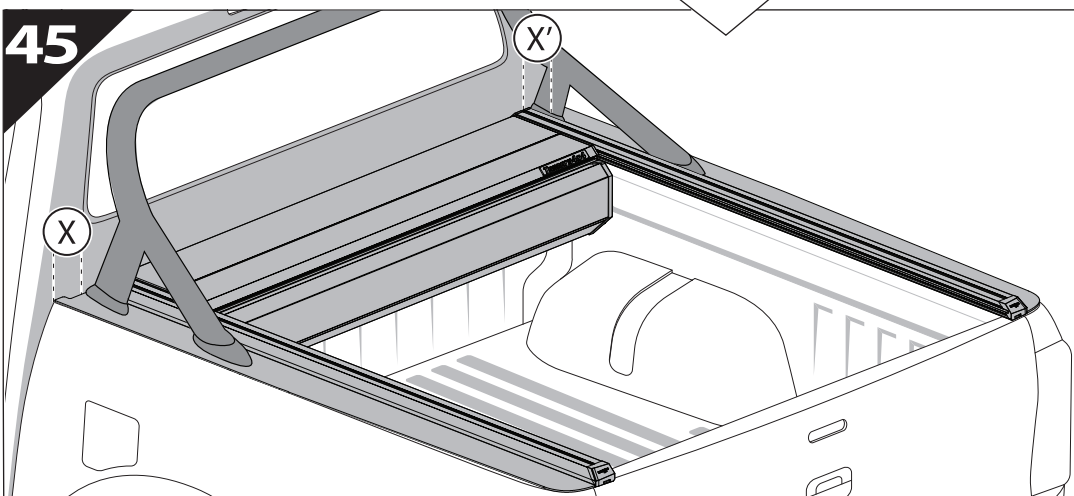


44

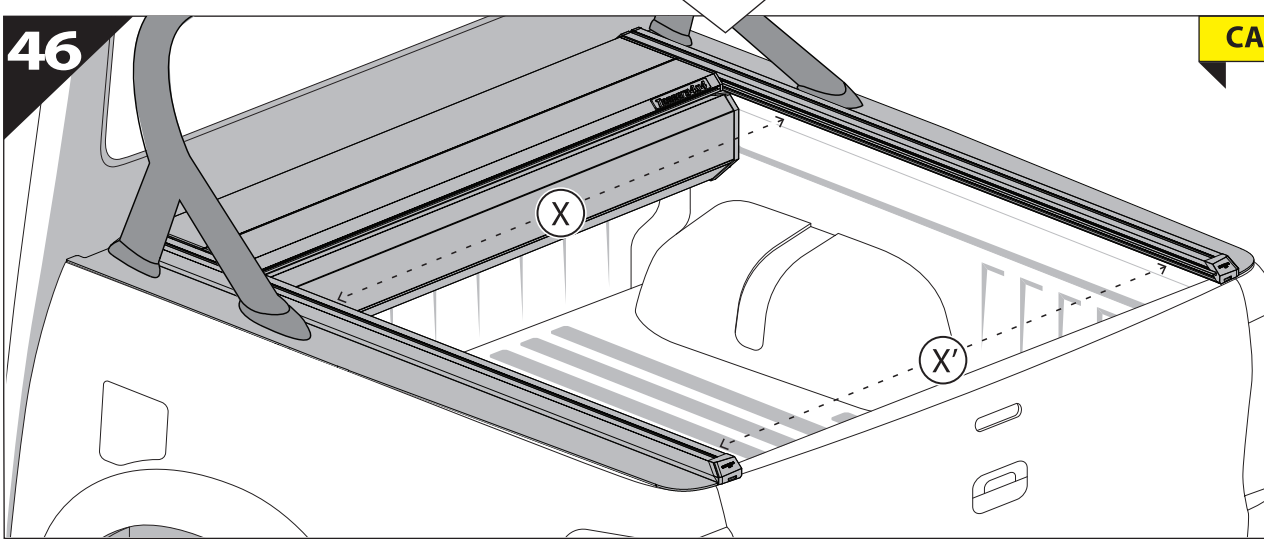
G



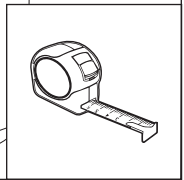
45

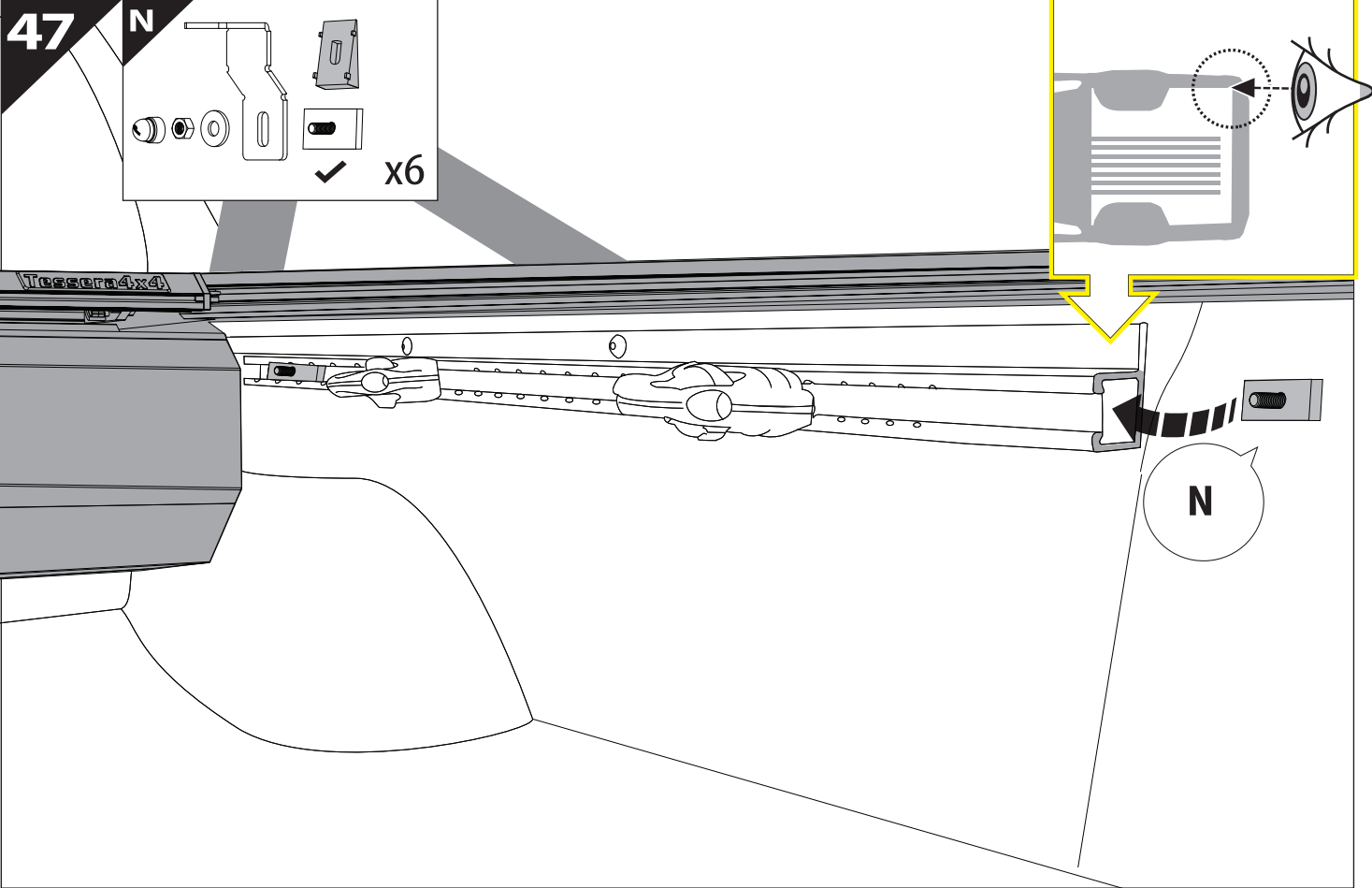


46

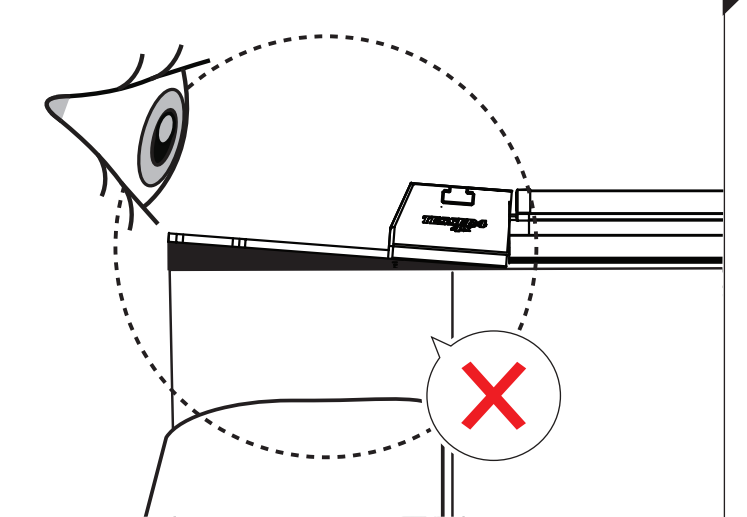
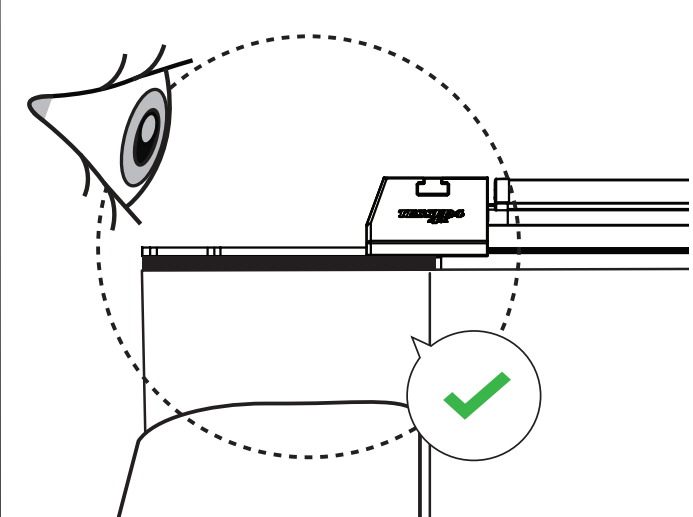
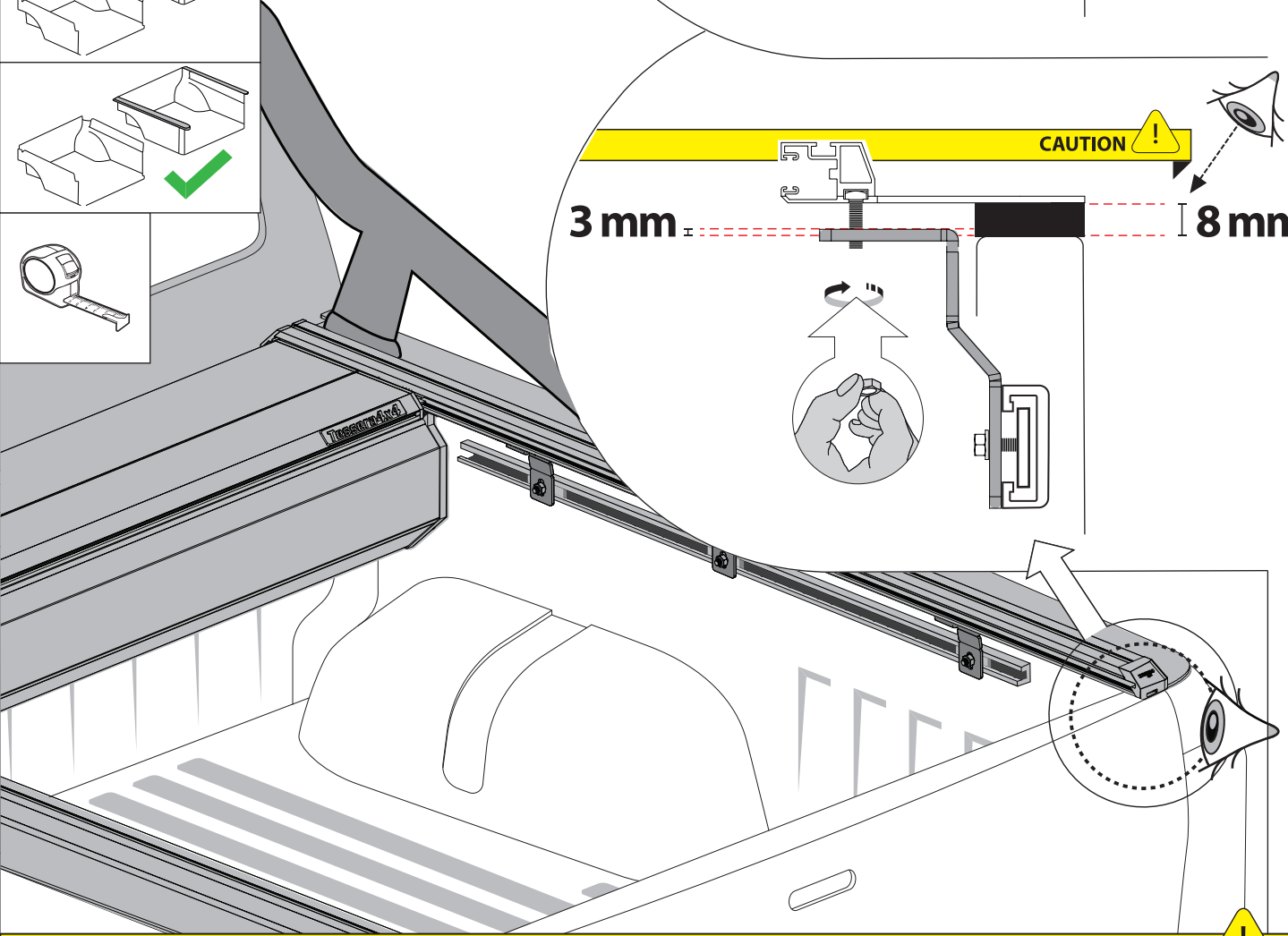
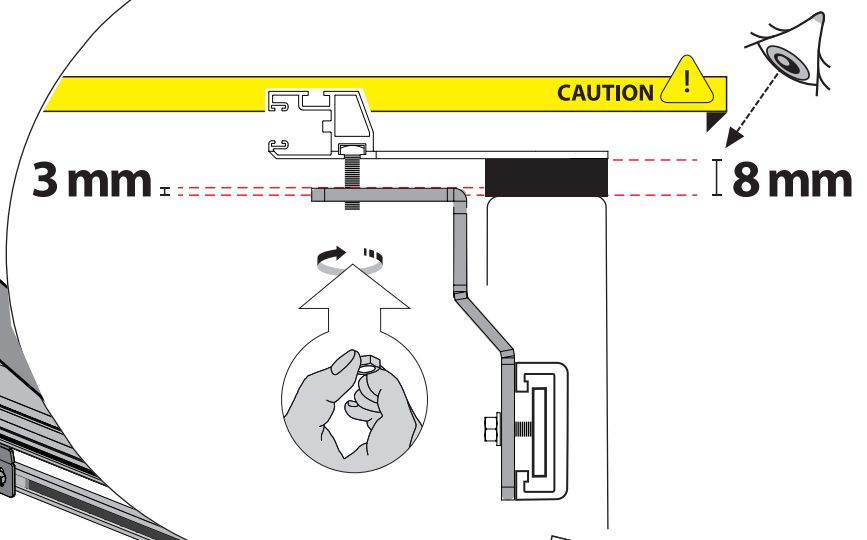
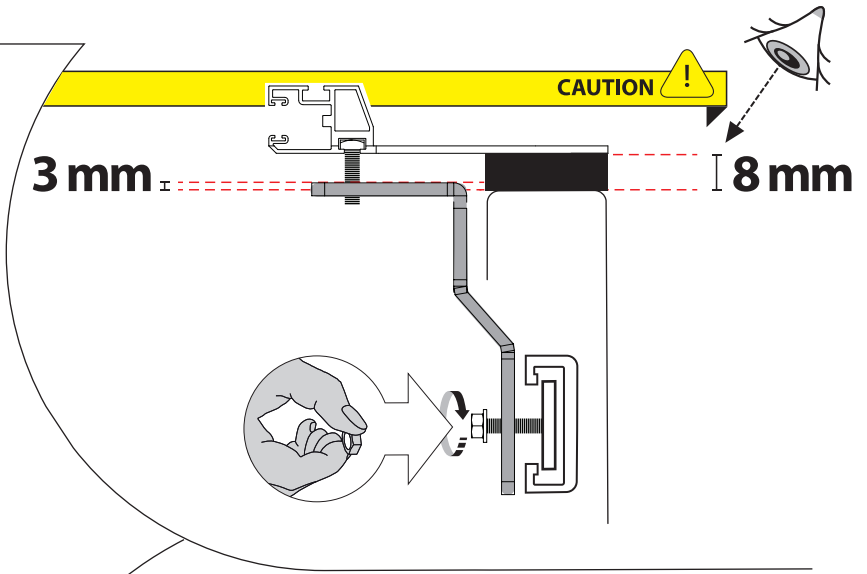
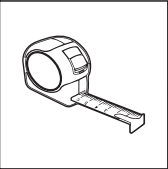
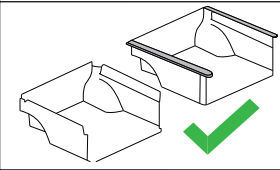
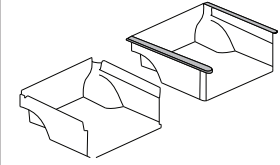
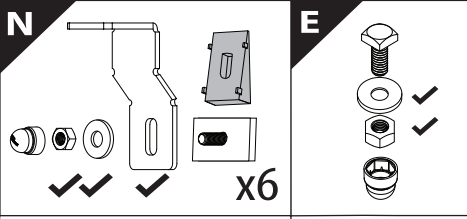


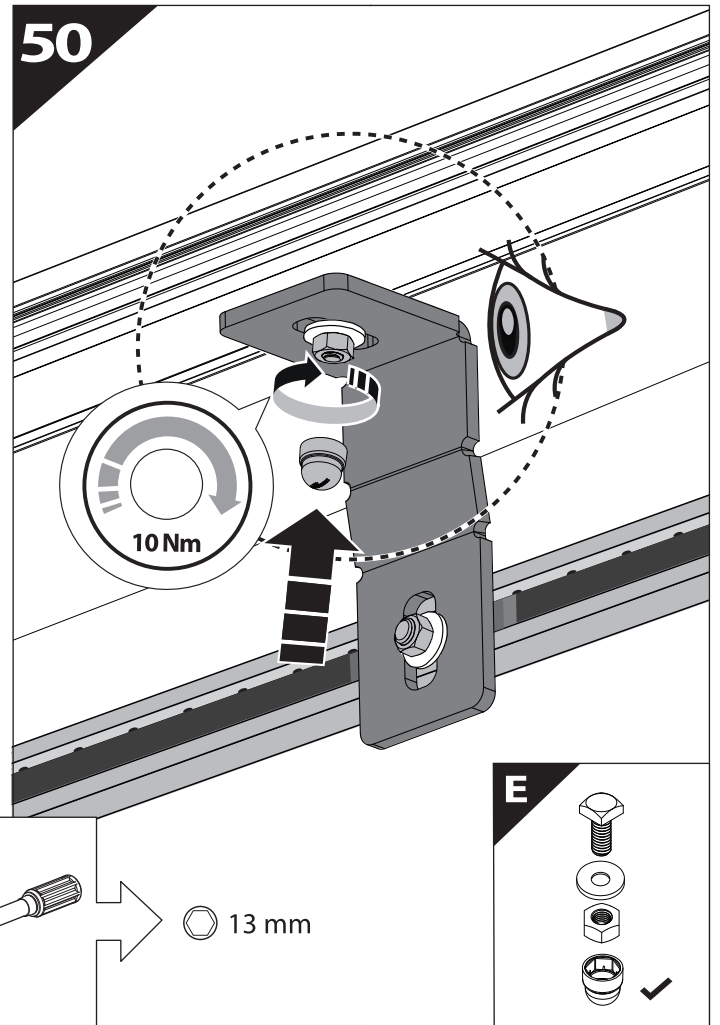
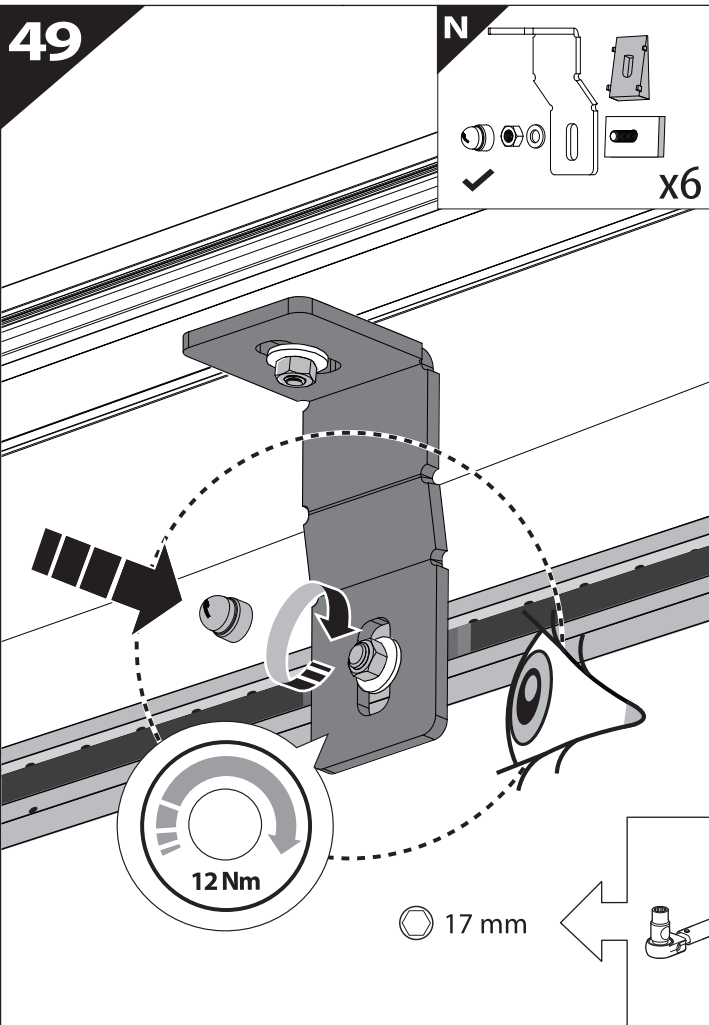
CAUTION !



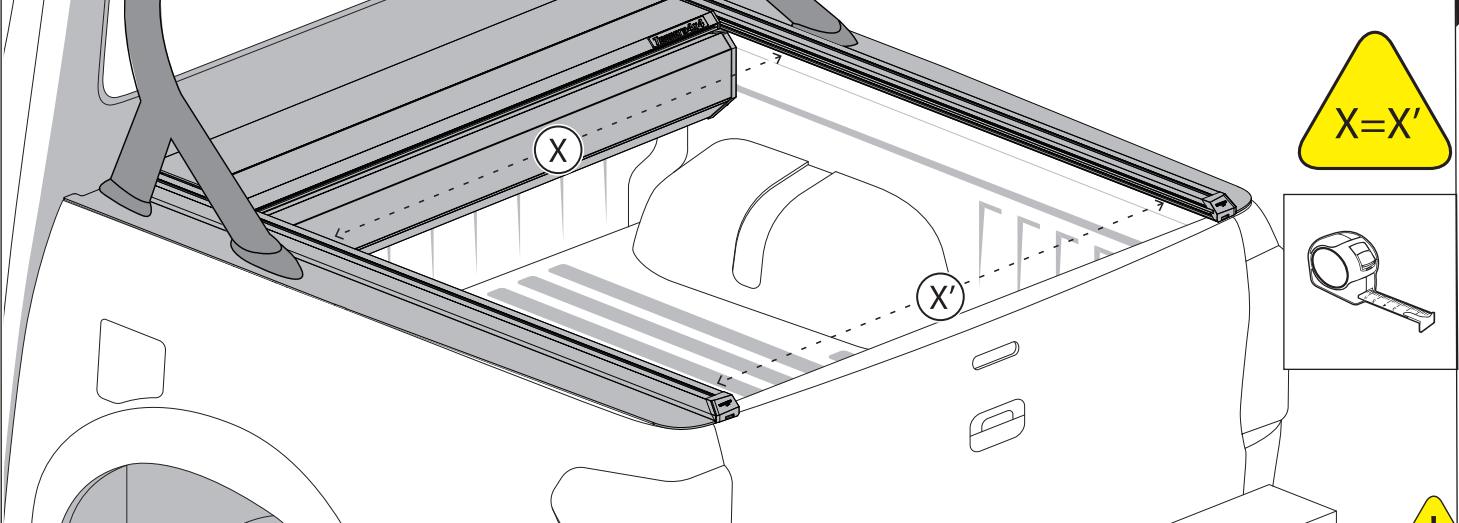


48

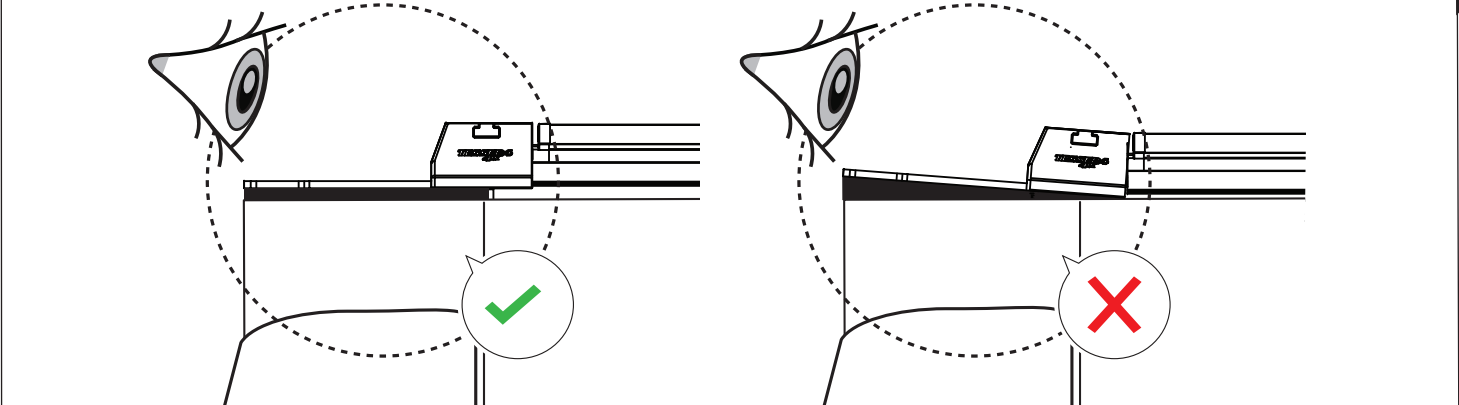




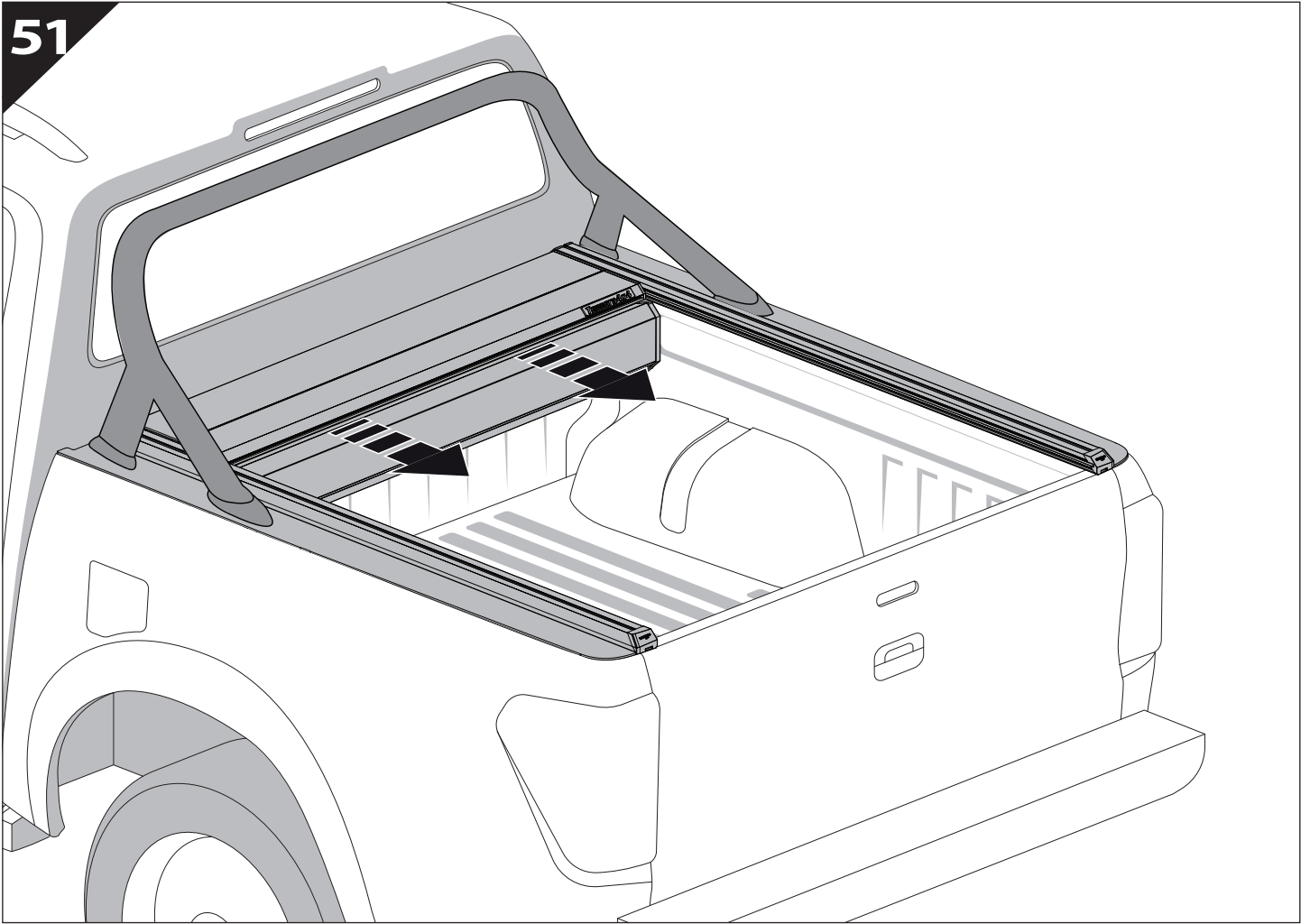
**CAUTION** !



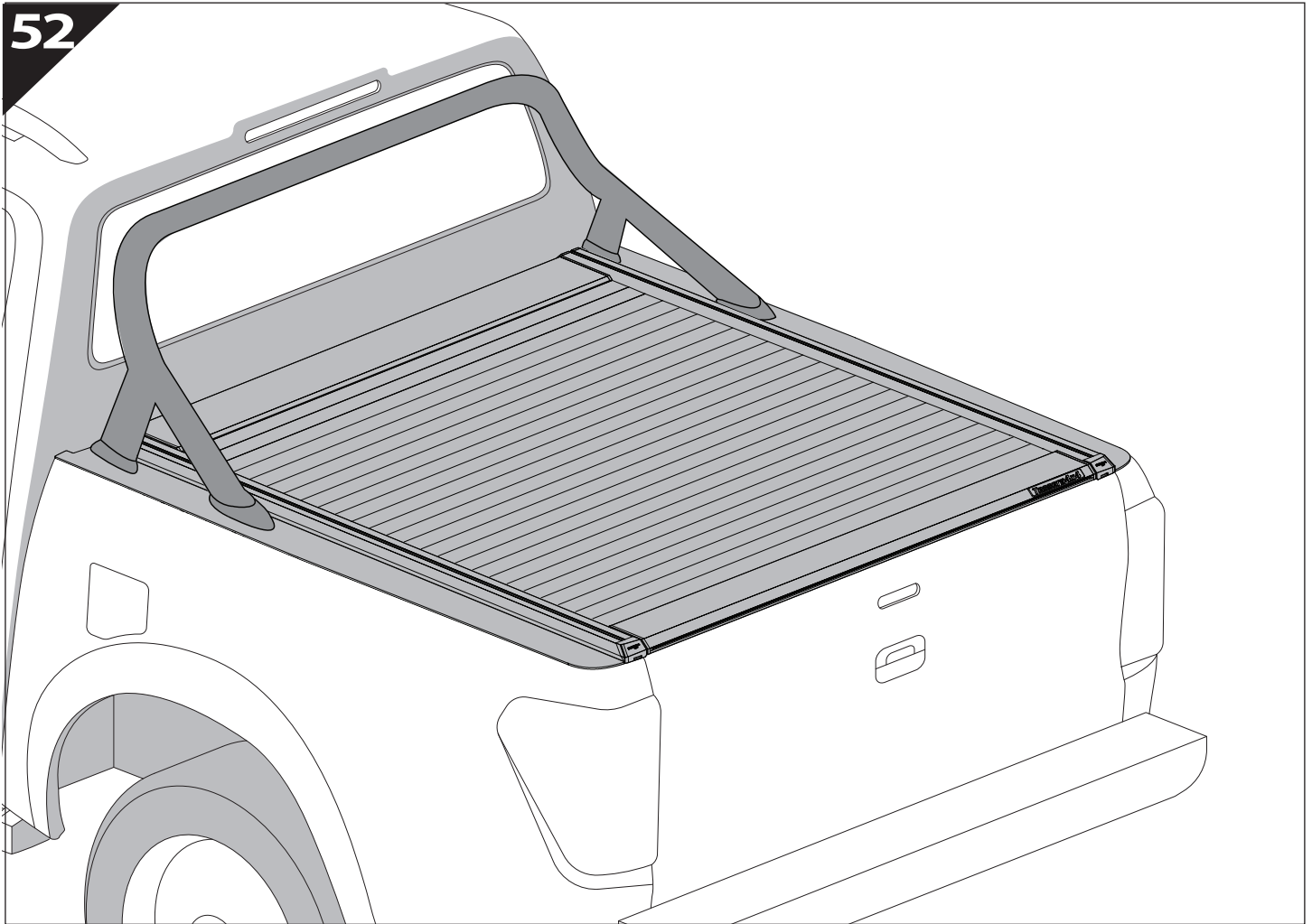
**CAUTION** !



51



52







**GR:** Οδηγίες Εγκατάστασης  
**GB:** Installation manual  
**SF:** Asennusohje  
**F:** Notice de montage  
**PL:** Instrukcja montażu  
**NL:** Installatie-instructies  
**TR:** Montaj Talimatı  
**S:** Monteringsanvisning  
**E:** Instrucciones de montaje

**H:** Szerelési utasítás  
**P:** Instruções de instalação  
**RUS:** Инструкция по установке  
**N:** Monteringsveiledning  
**D:** Einbauanleitung  
**CZ:** Návod k instalaci  
**I:** Istruzioni de montaggio  
**DK:** Monteringsvejledning  
**RO:** Instructiuni de instalare

Customer Service:

+30 (210) 5541161, +30 (210) 5541154 (08:00 - 16:00 EET)

Support department:

[info@gianso.gr](mailto:info@gianso.gr)

Website:

[www.tessera4x4.com](http://www.tessera4x4.com)

Address:

19.5 km of National road Athens-Korinthos (Elefsina) Greece, P.C: 19200