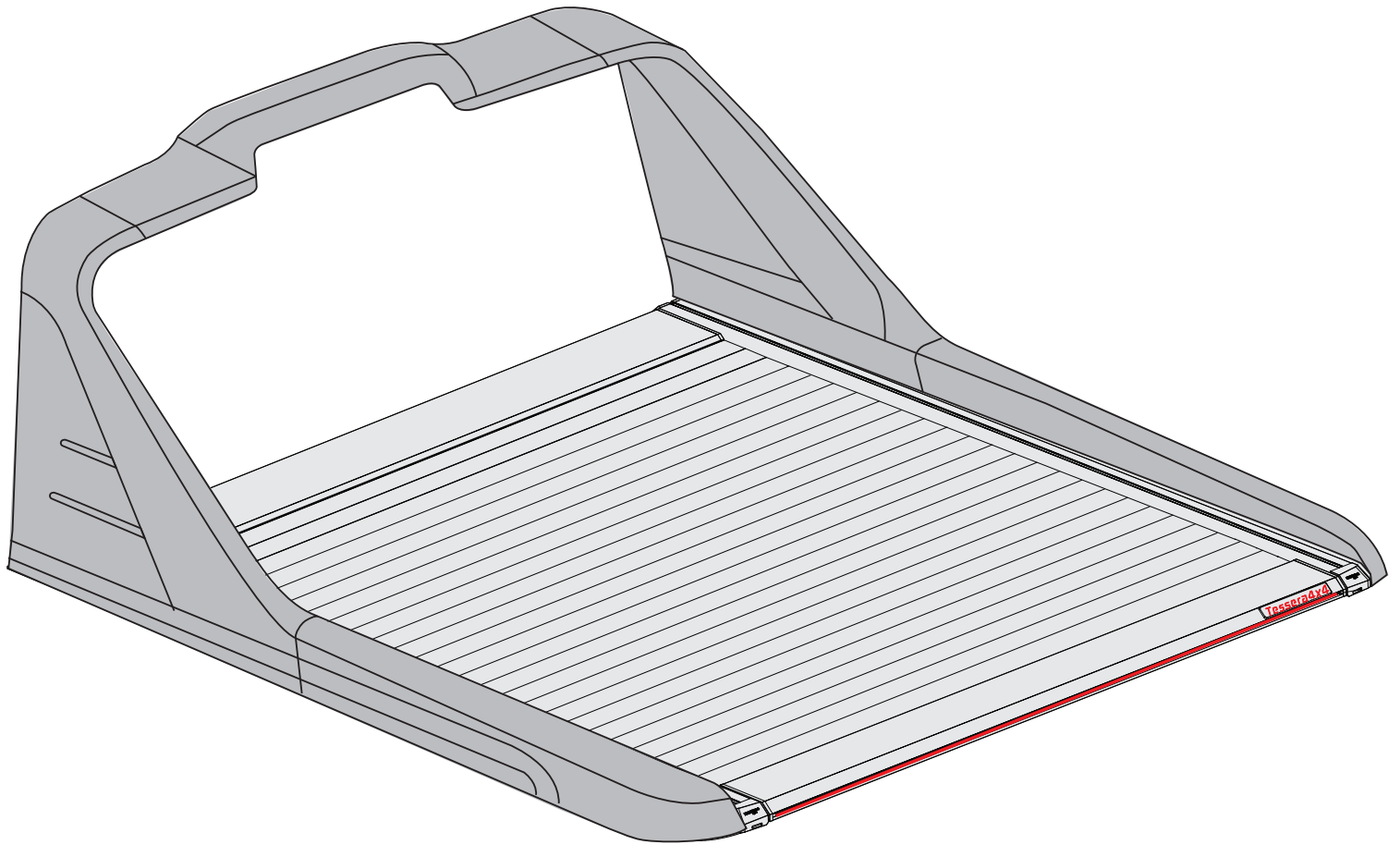


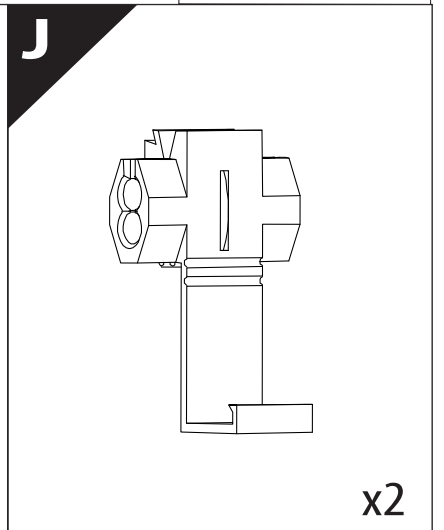
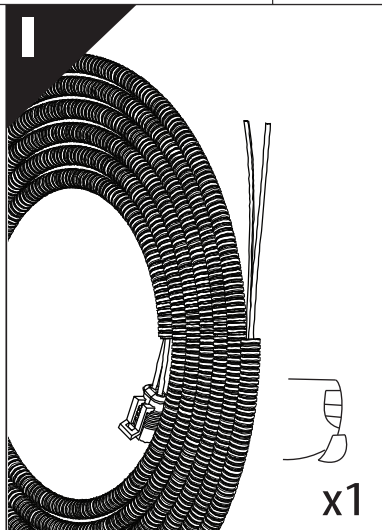
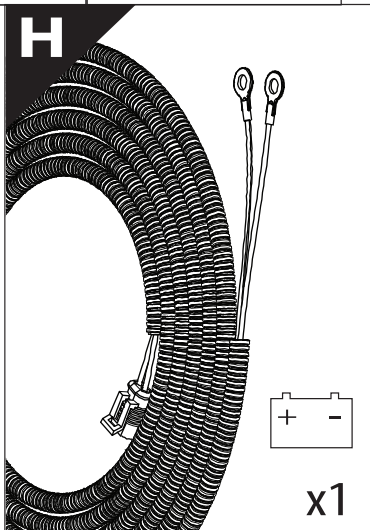
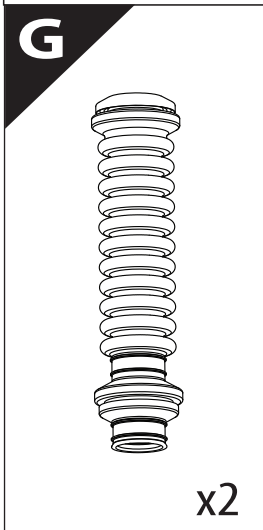
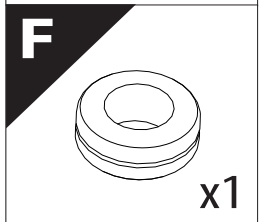
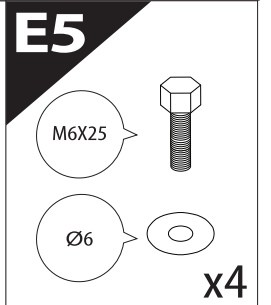
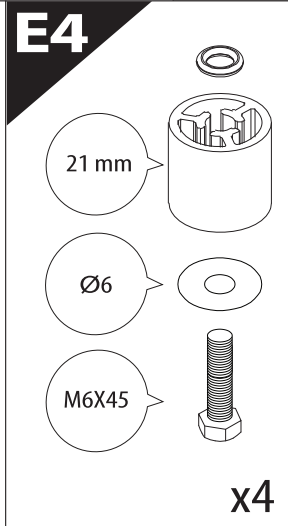
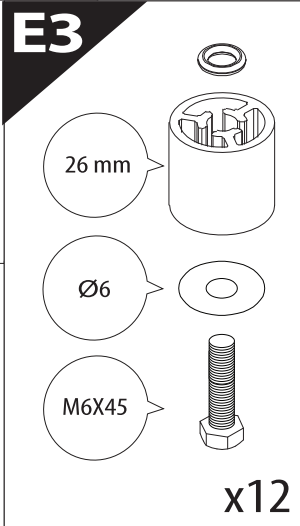
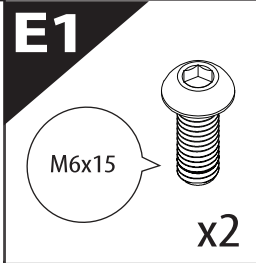
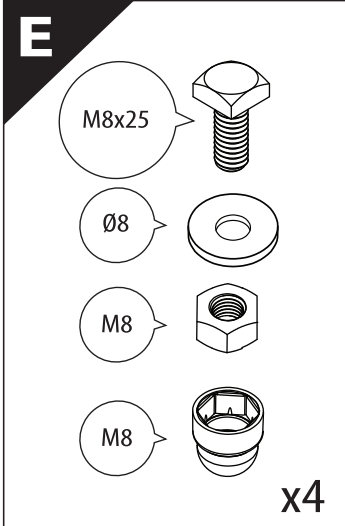
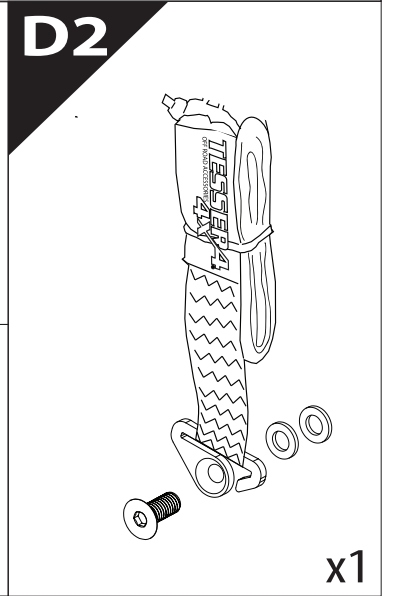
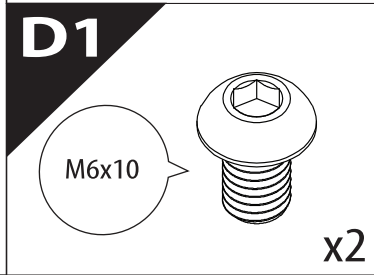
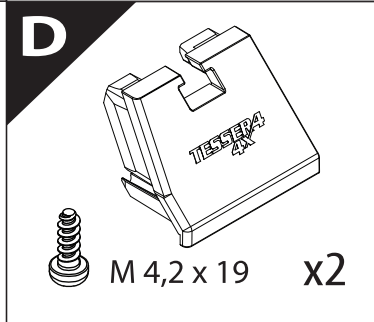
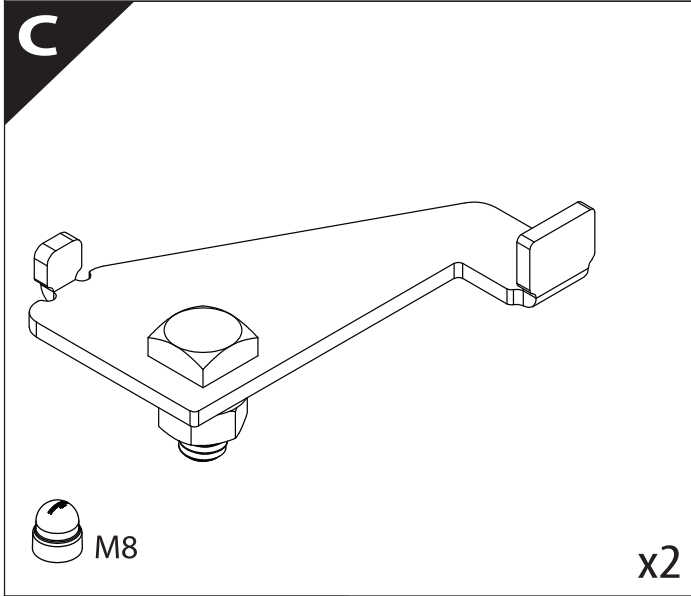
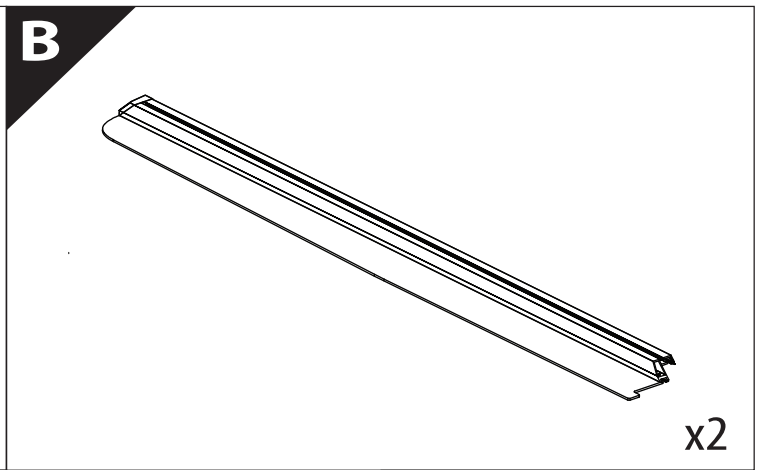
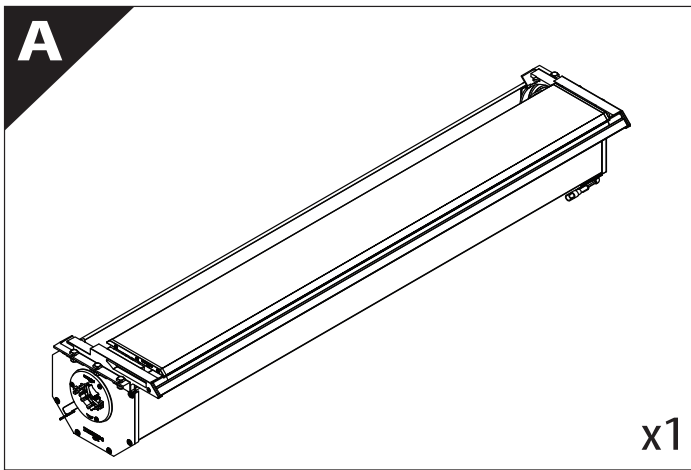
Tessera Roll+

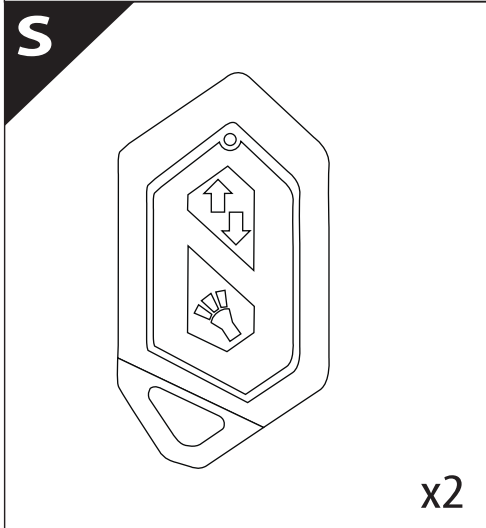
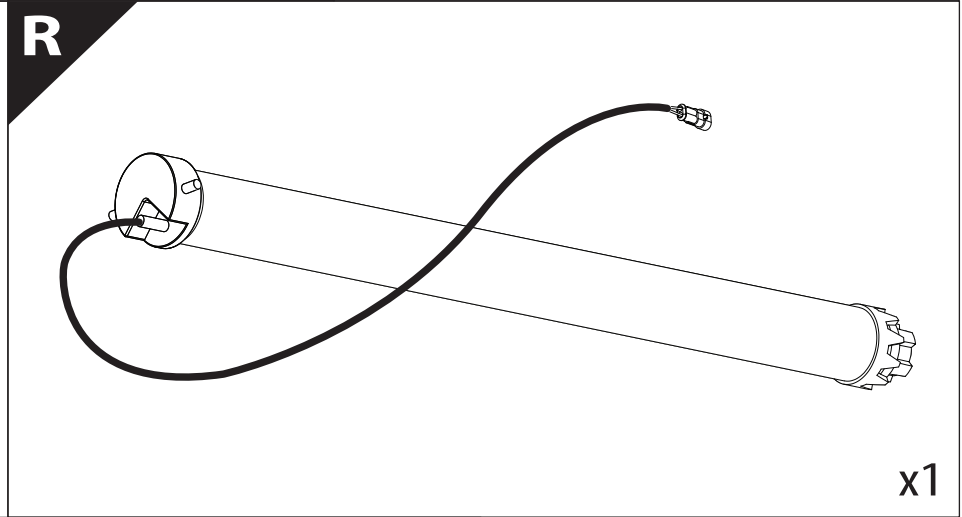
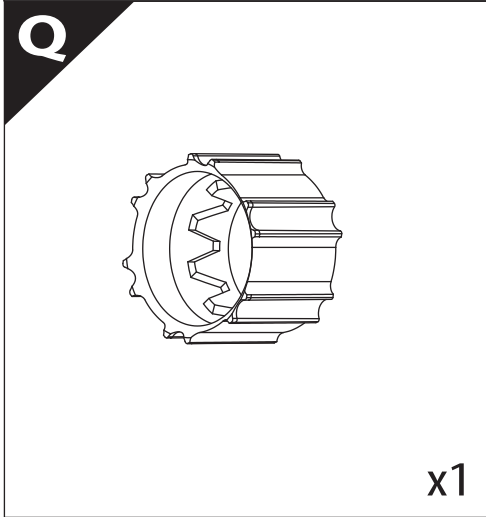
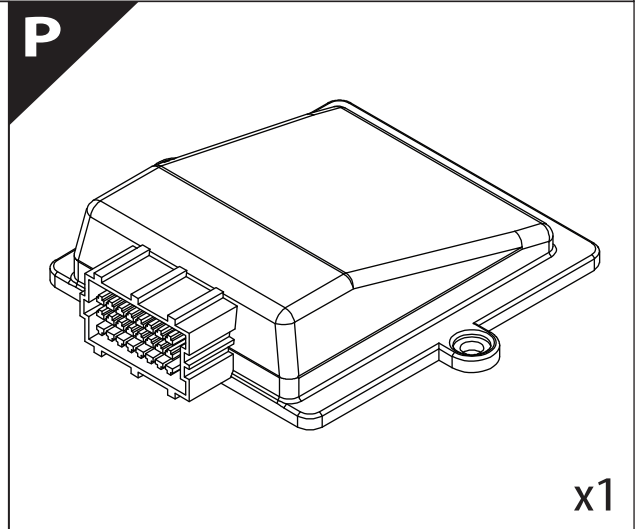
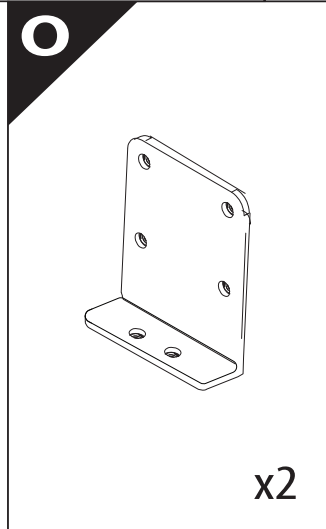
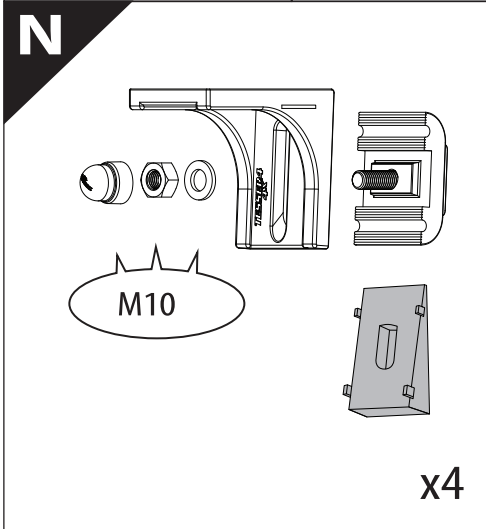
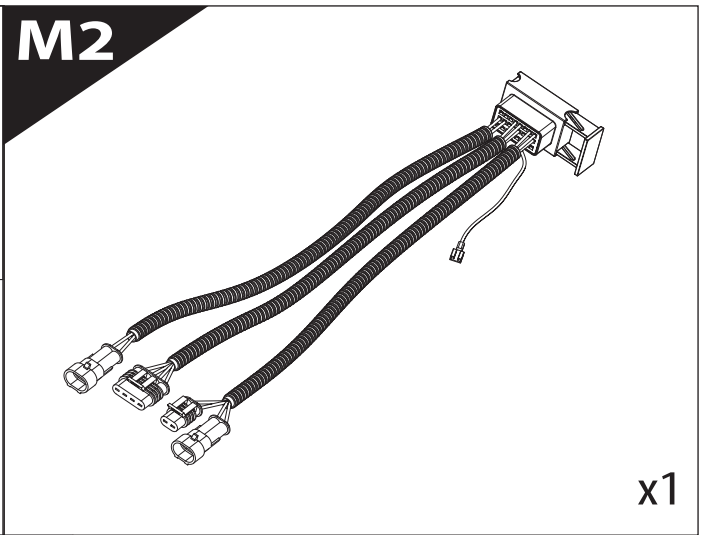
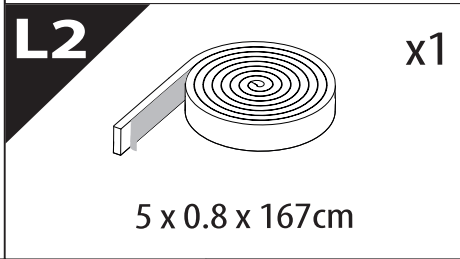
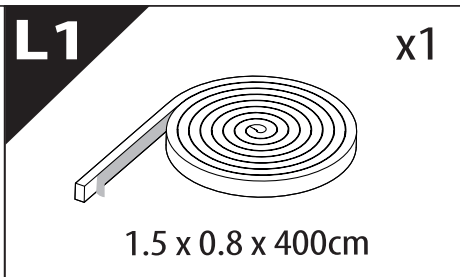
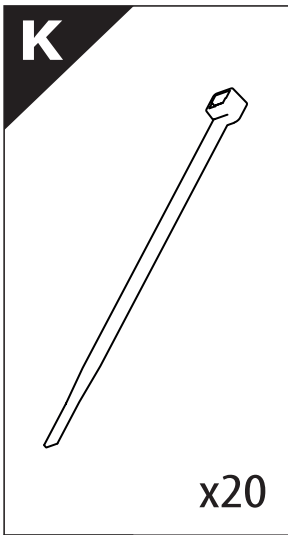
Basic Version + ⚡ E-KIT

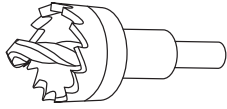


Installation Manual

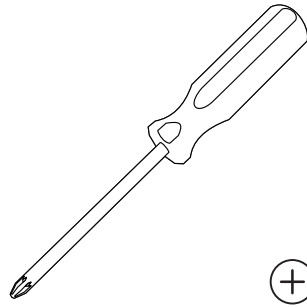
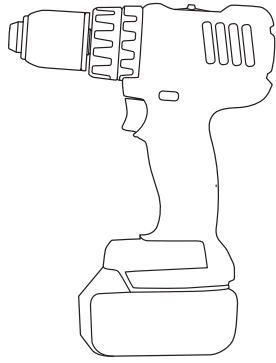
PART NUMBER(S)	Model Year
TESS 140412 ROLL+E-KIT	ISUZU DMAX 2025+ SAILPLANE BAR
Cab(s)	Installation Time / Weight
Double Cab	40-60 minutes / 53-57 kg



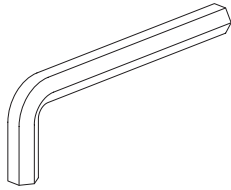
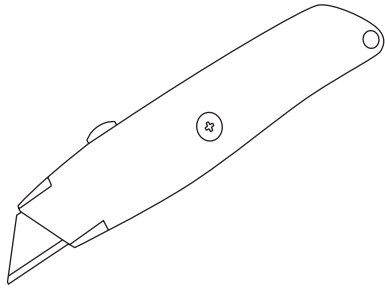
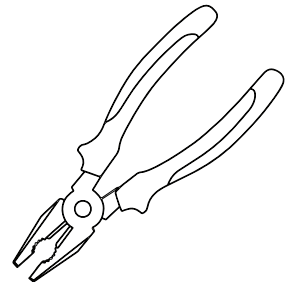




Ø 25 mm / Ø 40 mm

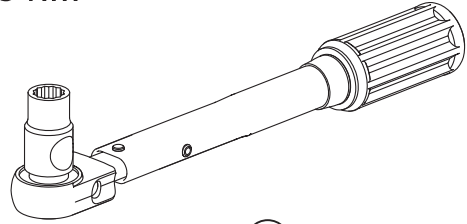


+

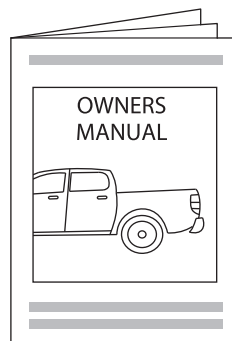
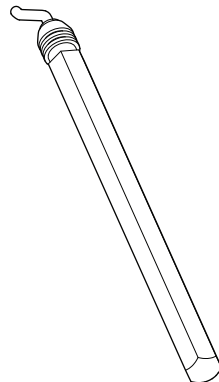
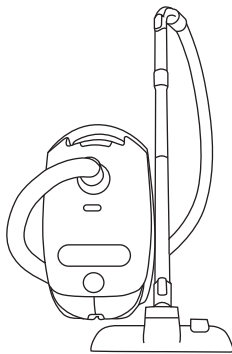
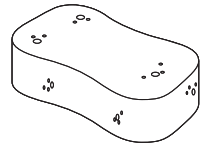
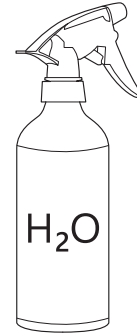
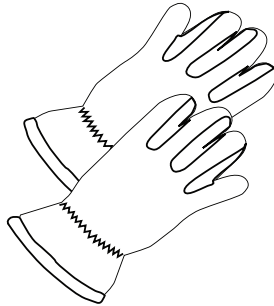
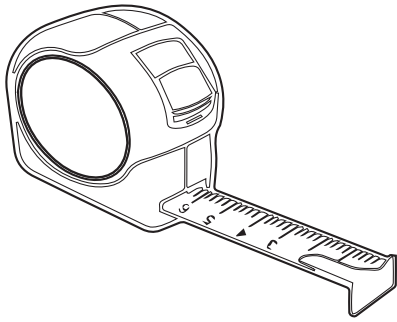


4 mm

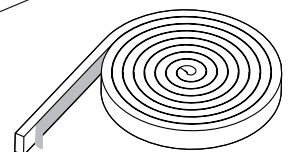
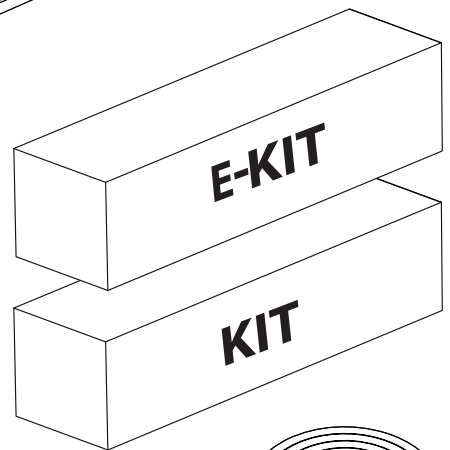
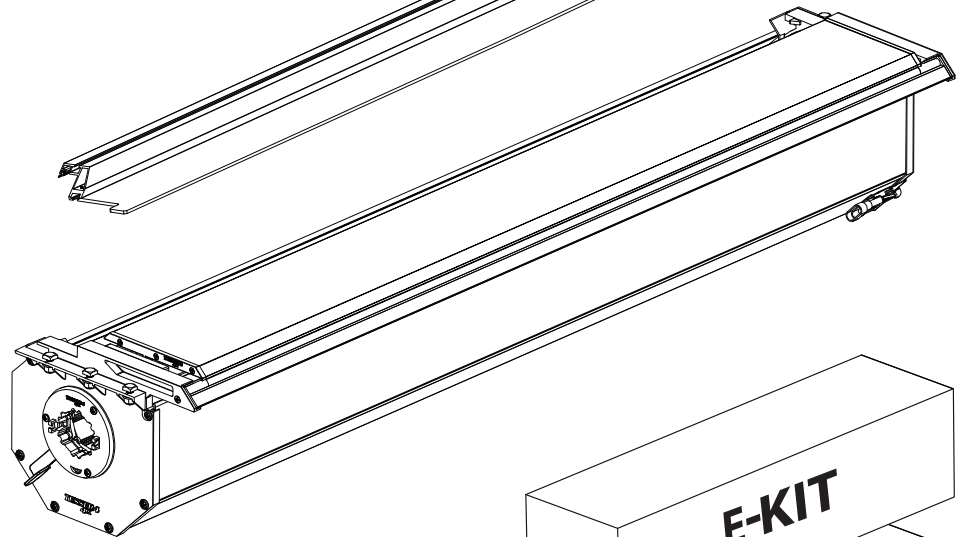
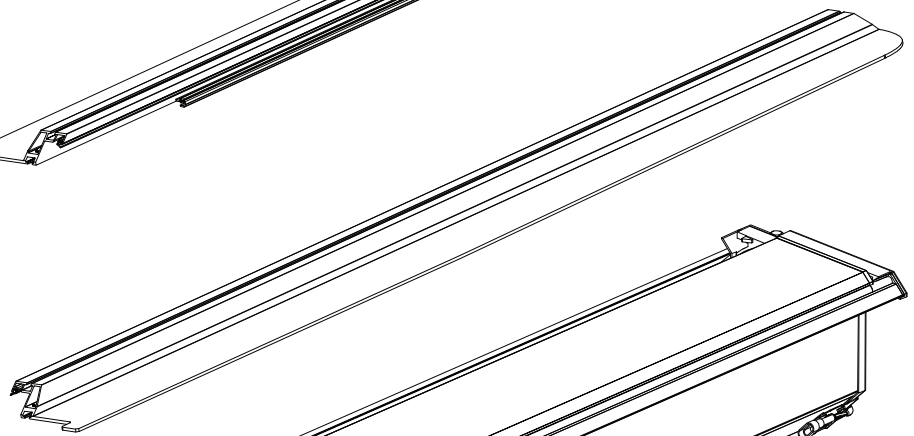
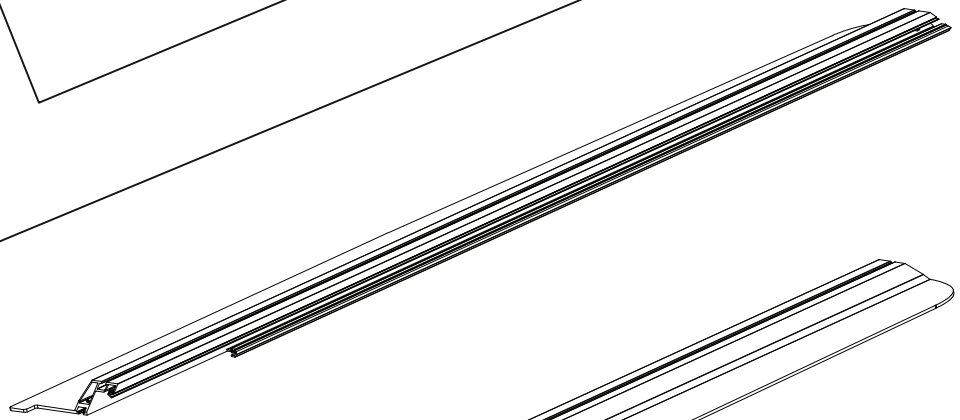
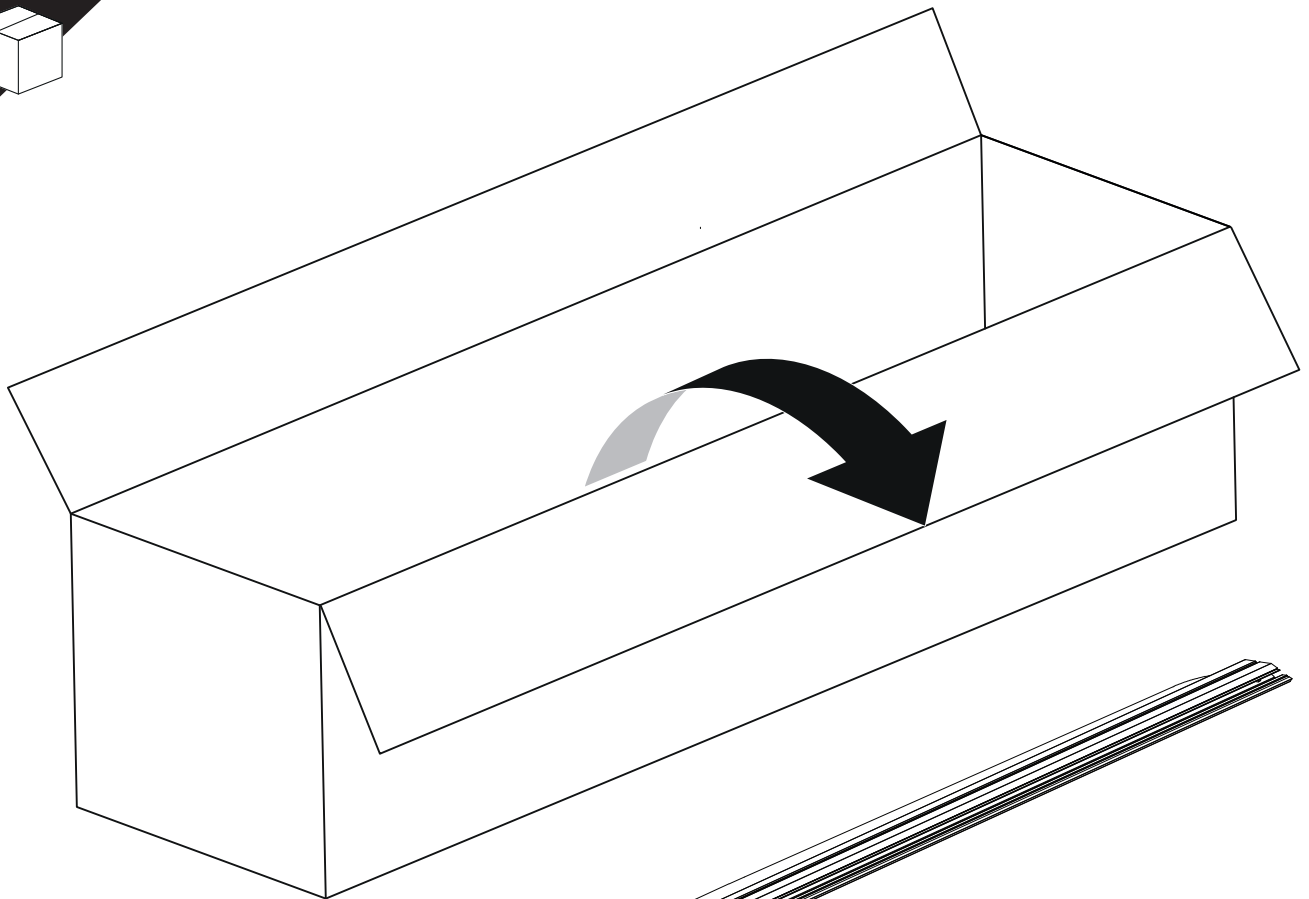
1 - 25 Nm



10,12, 13, 17 mm



x1

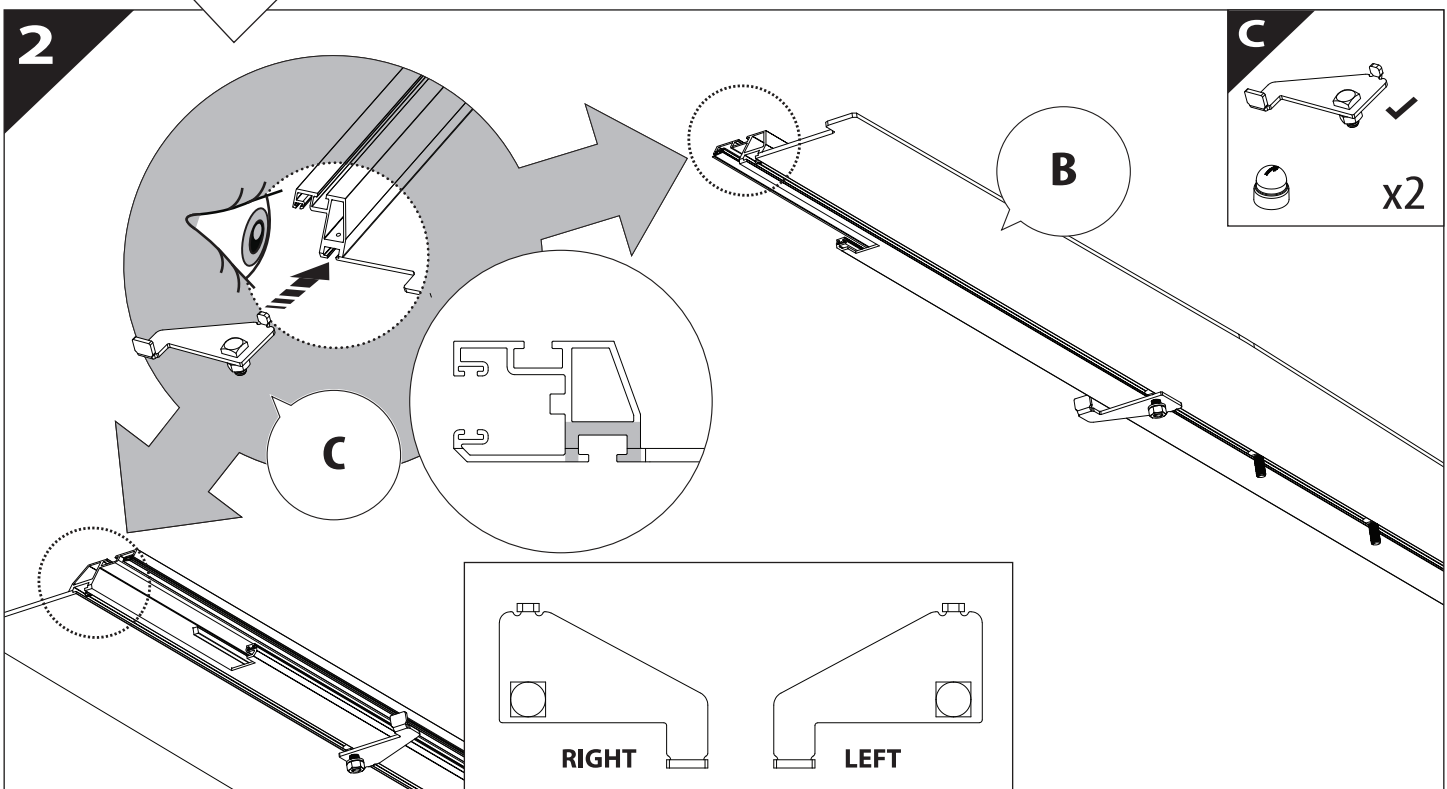
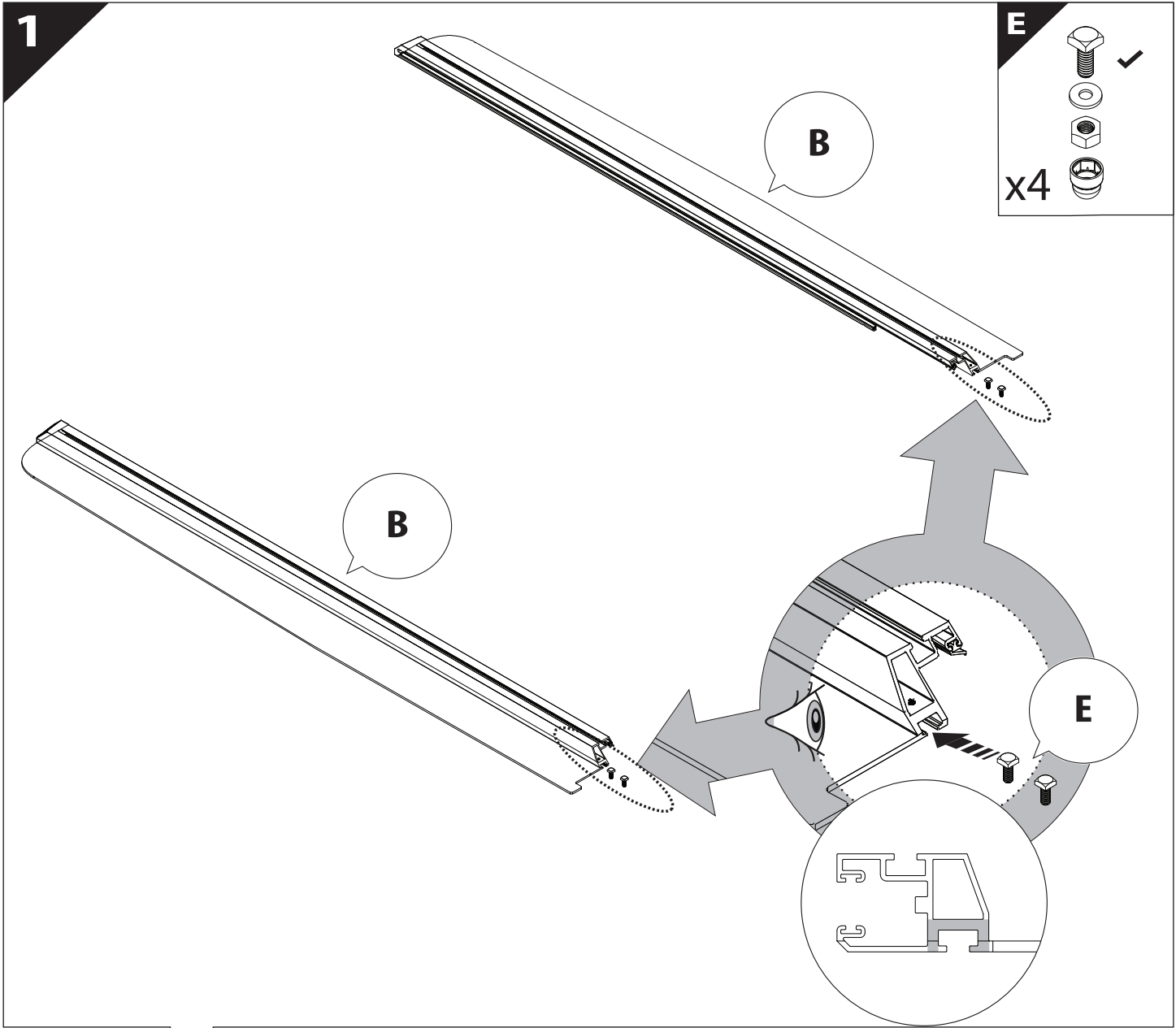


B

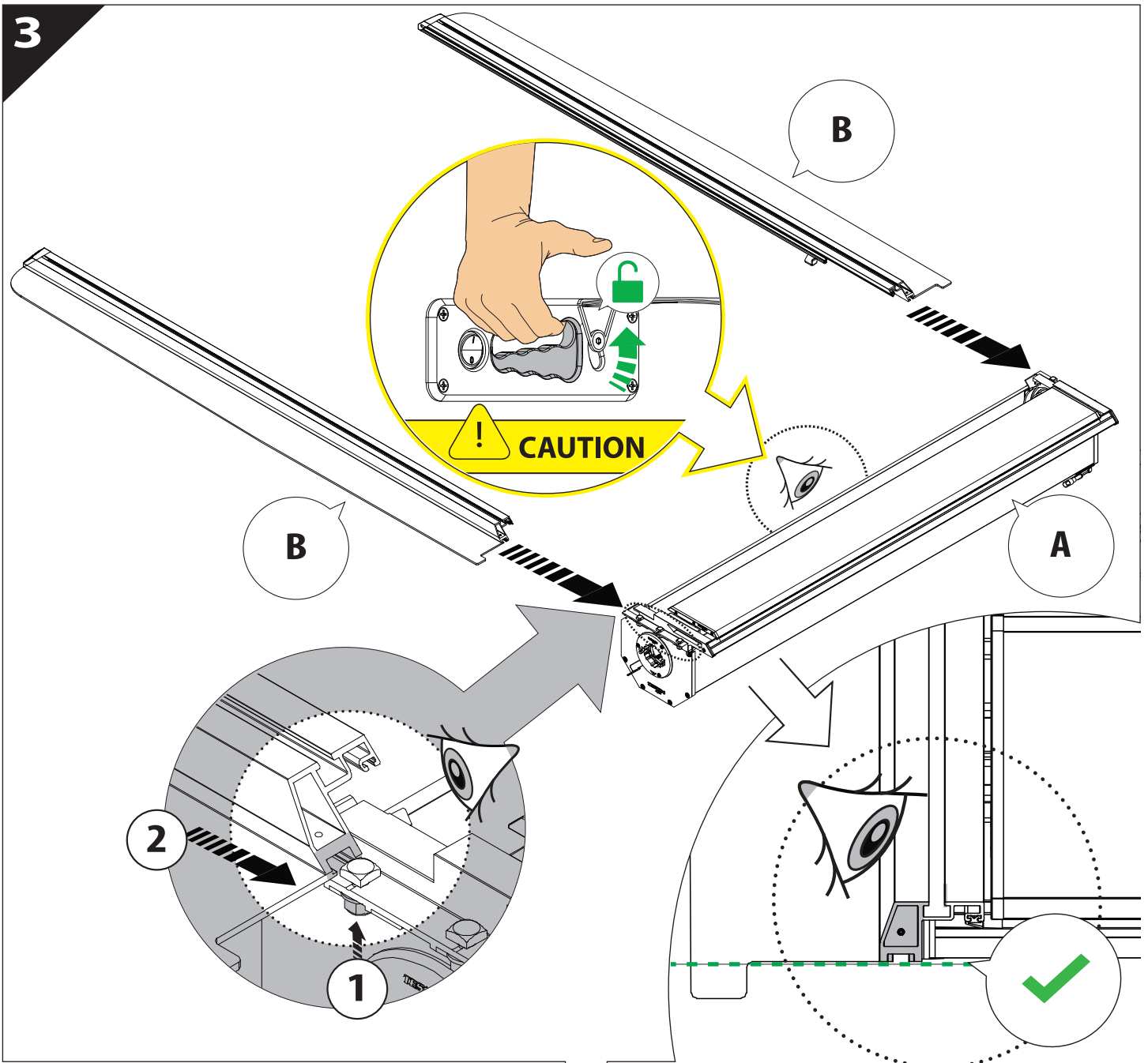
A

KITS

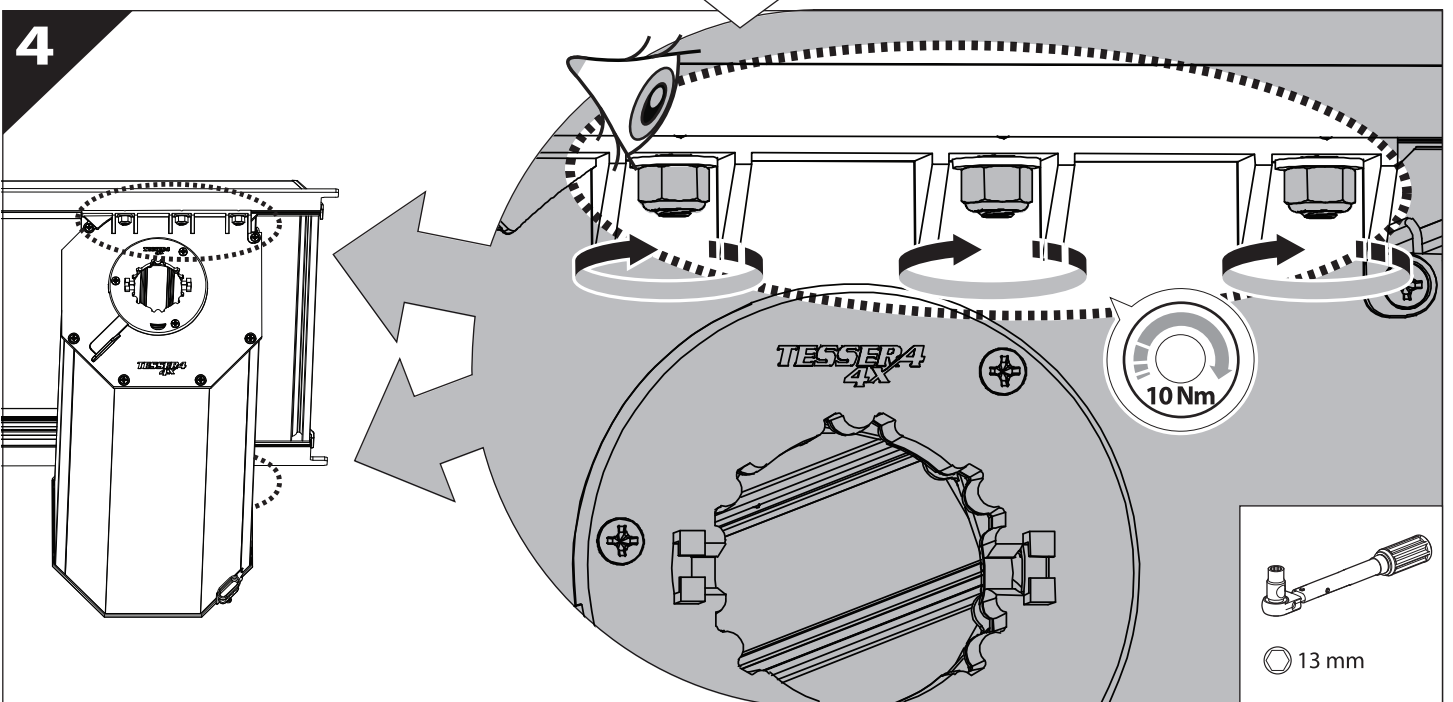
L



3

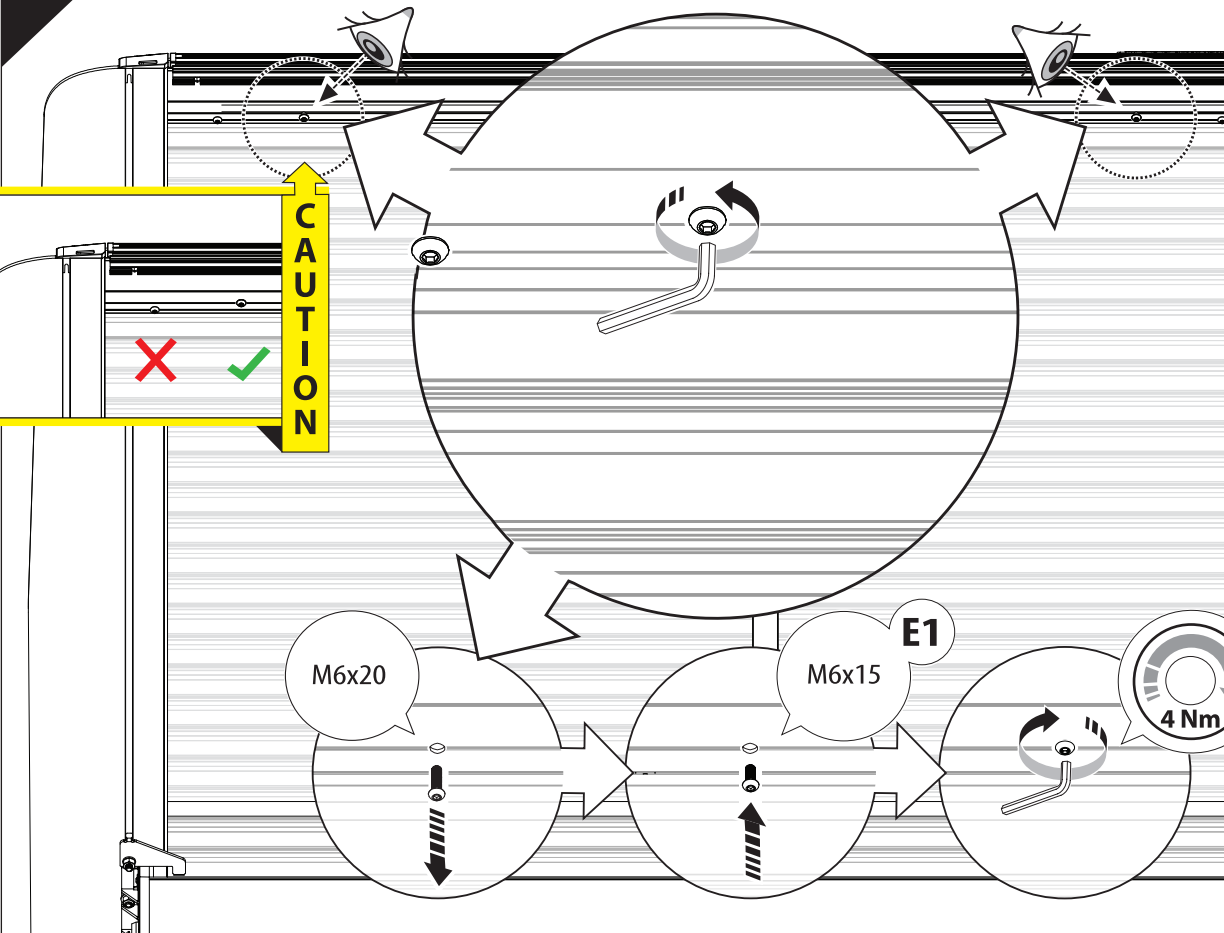


4



8

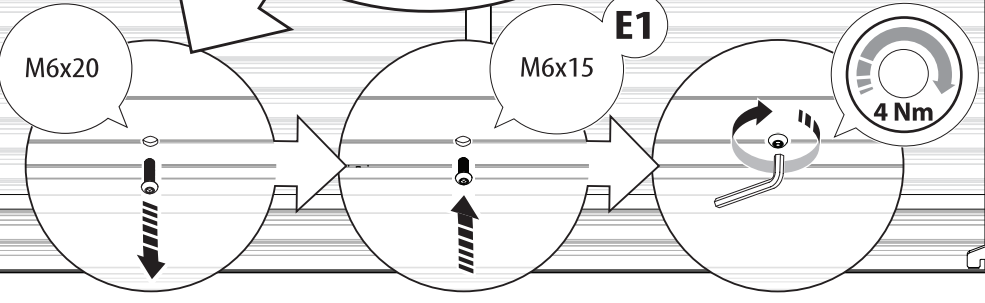
CAUTION



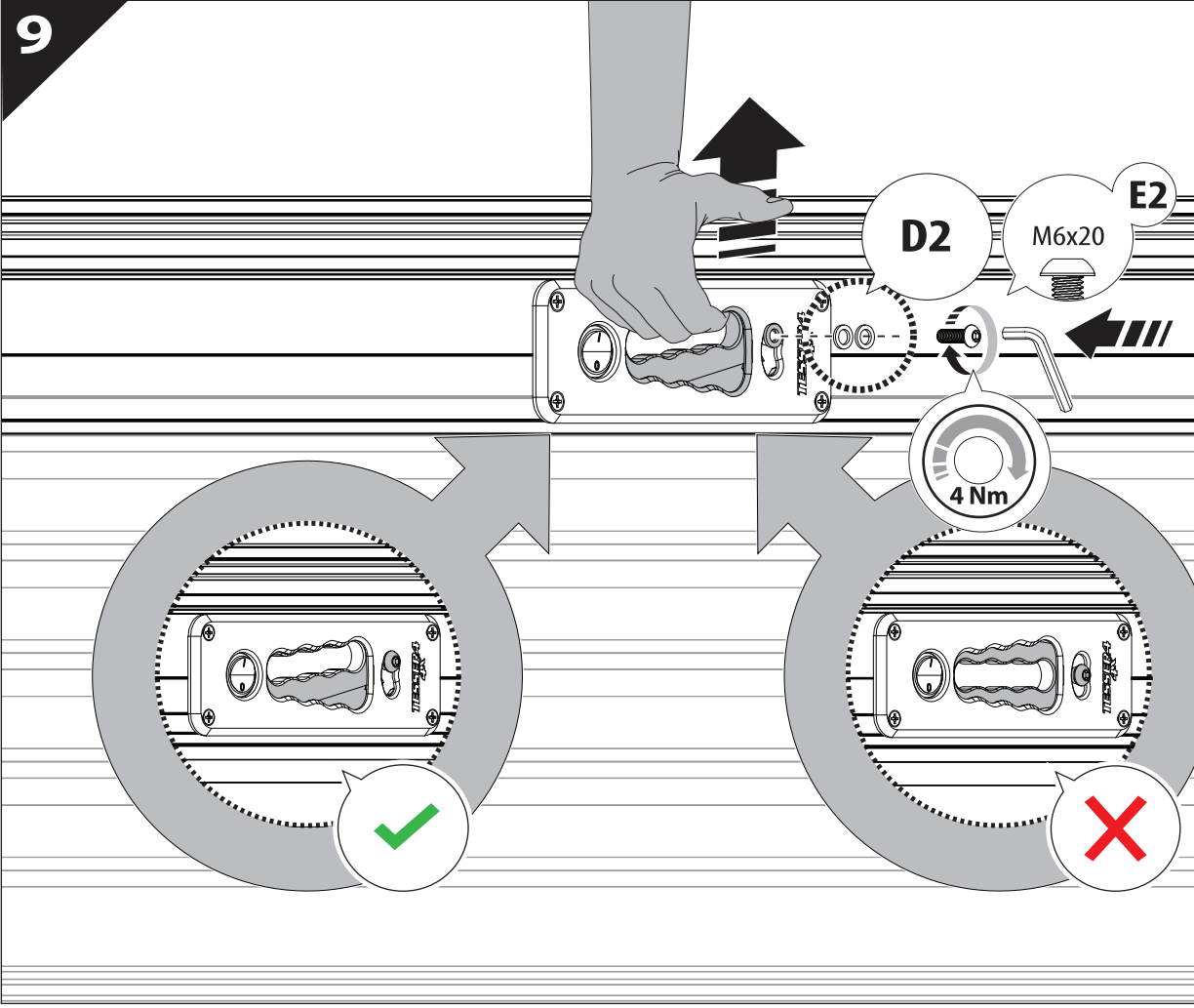
4 mm

E1

x2



9

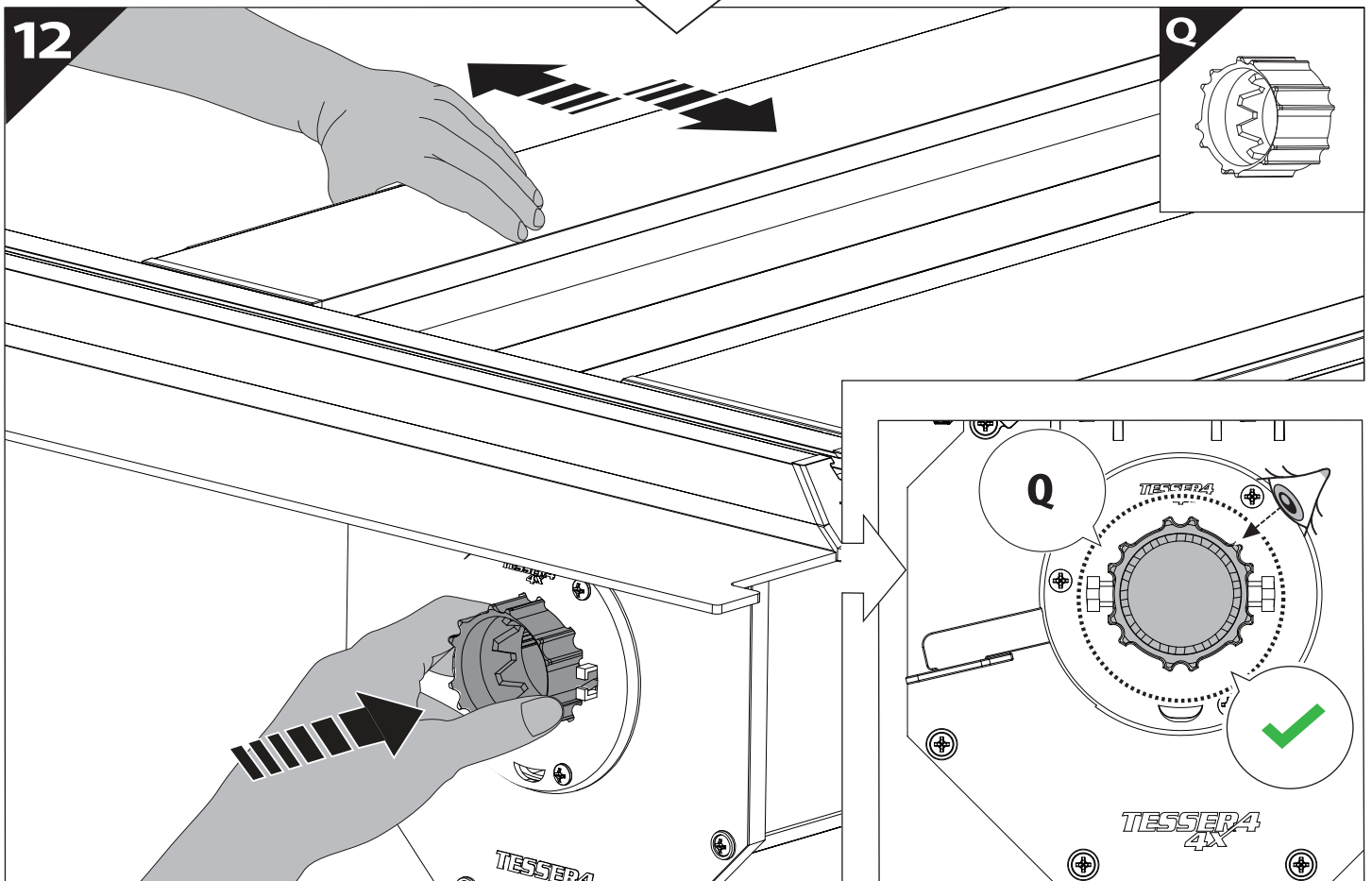
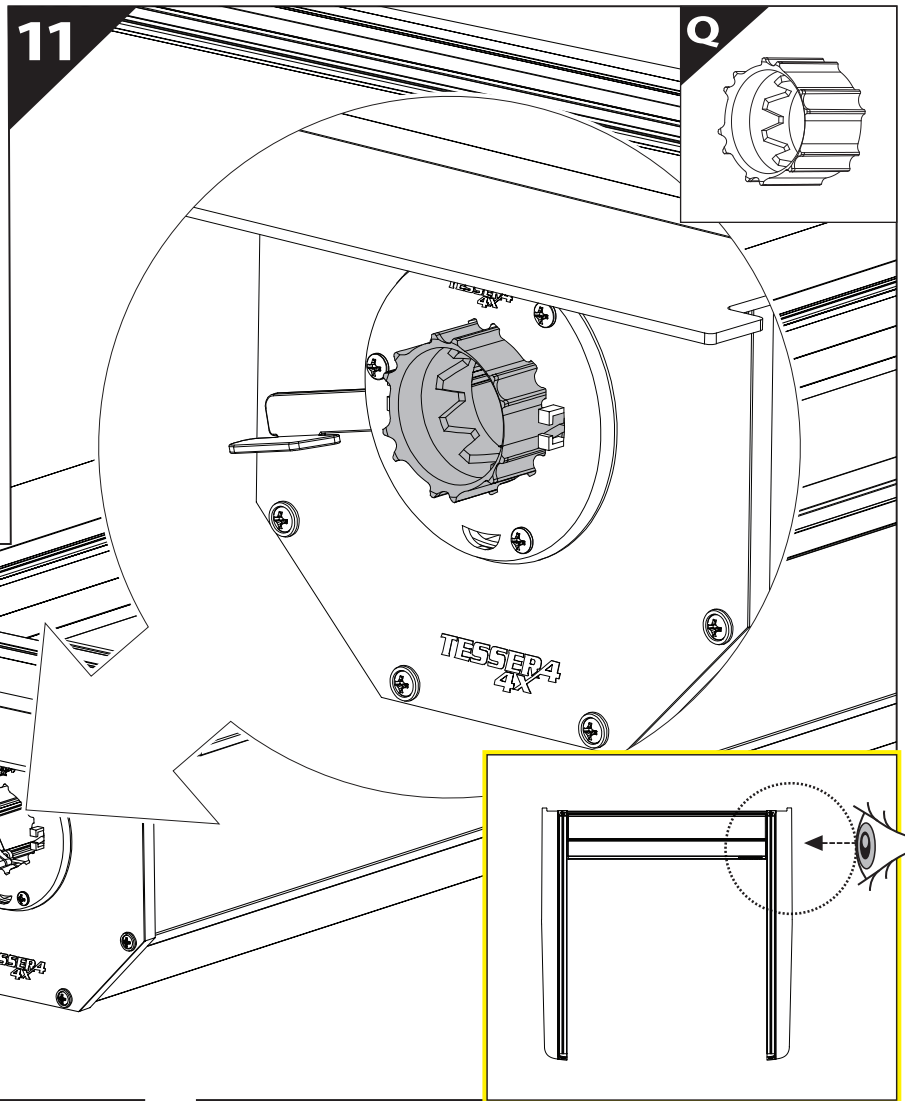
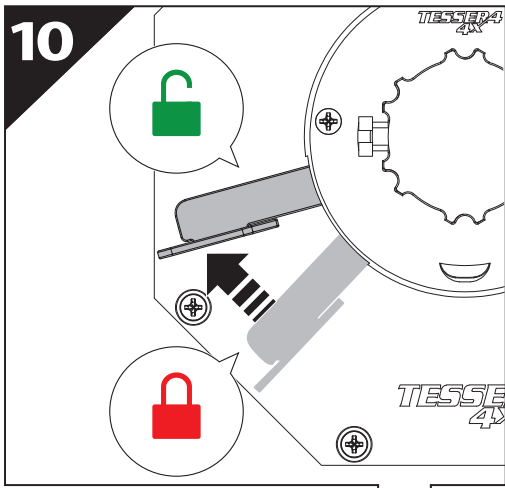


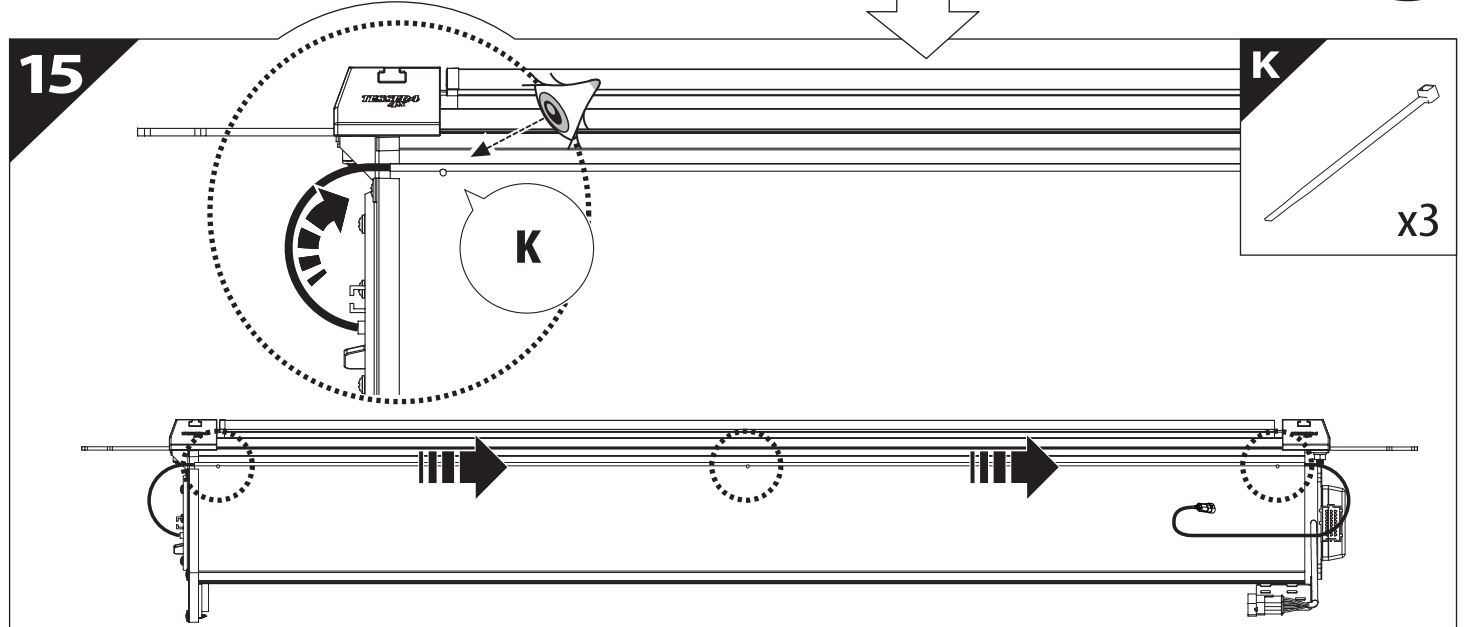
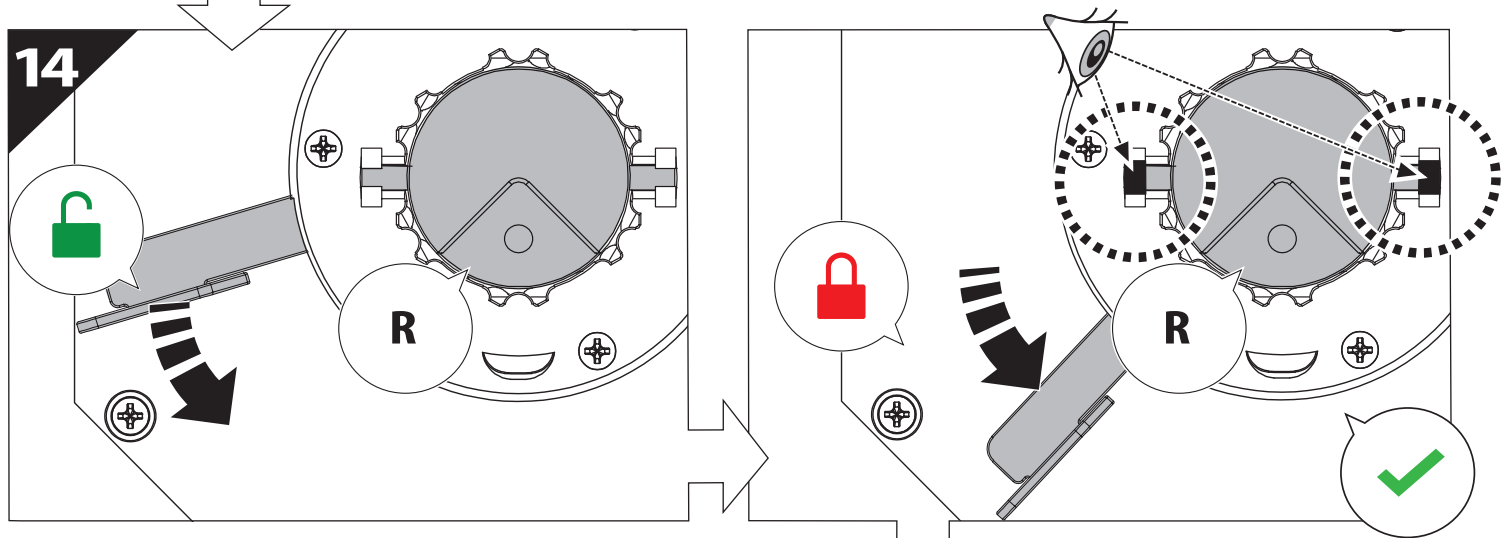
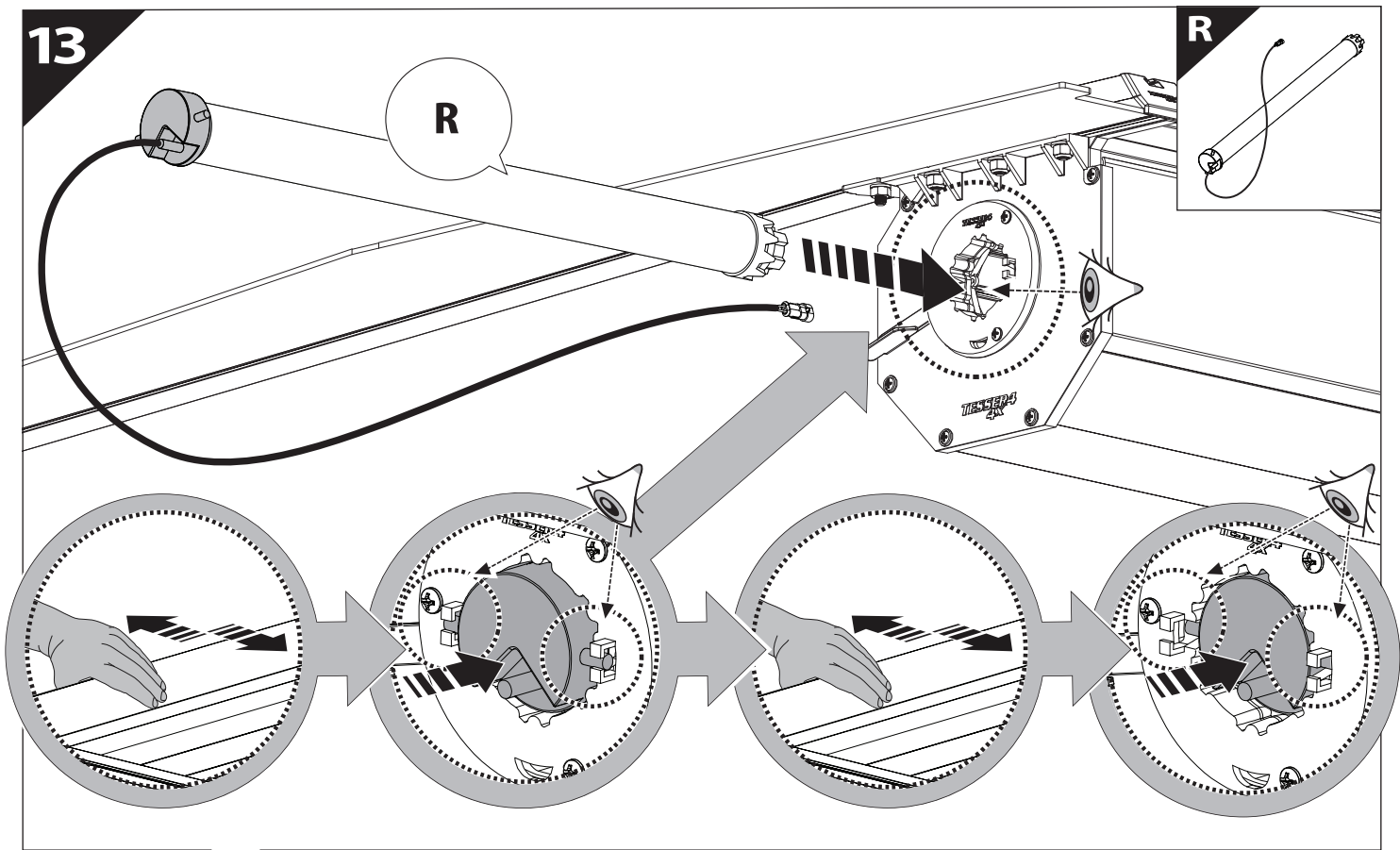
E2

x1

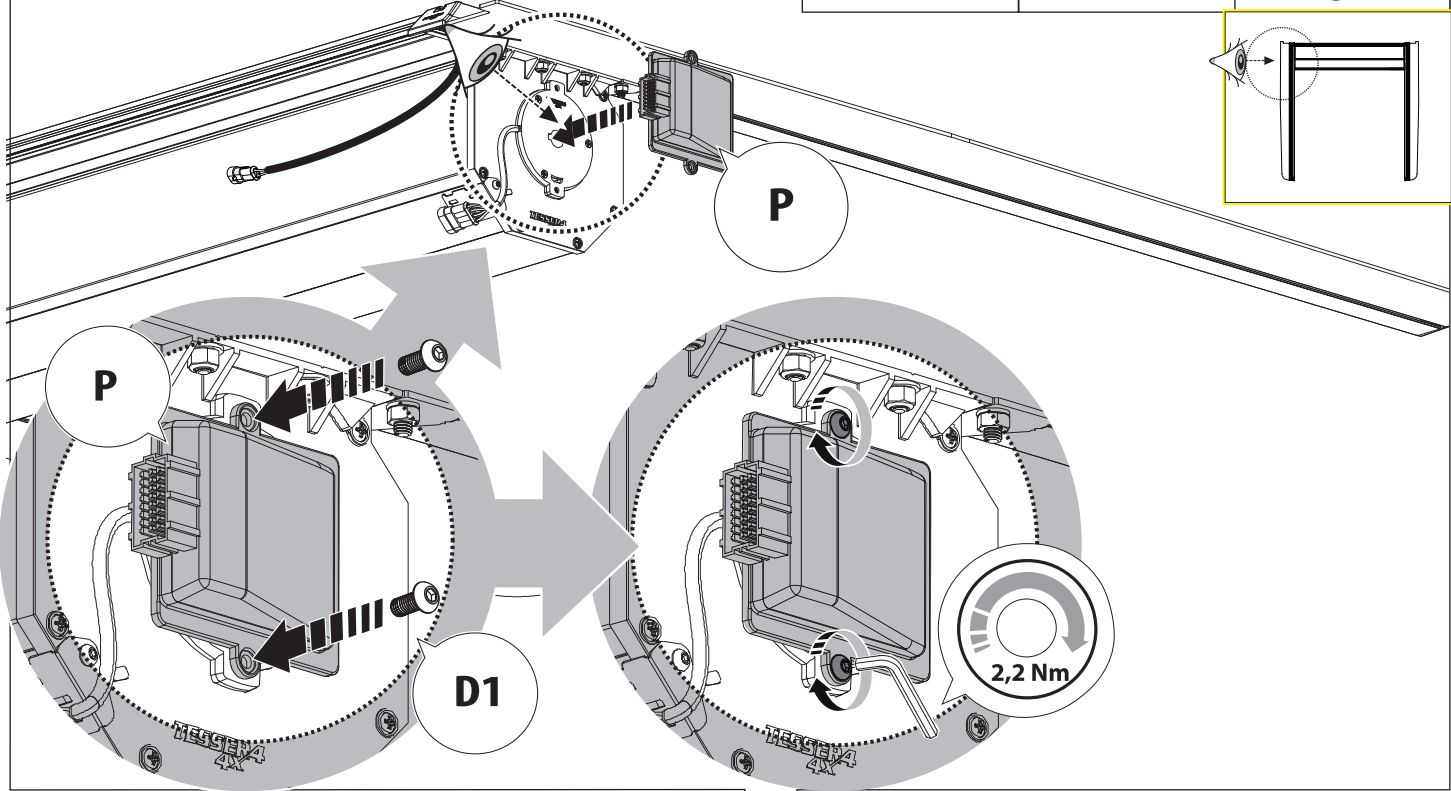
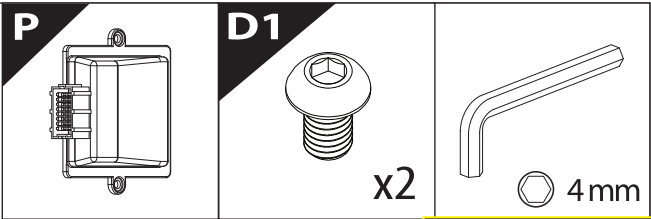
D2

4 mm

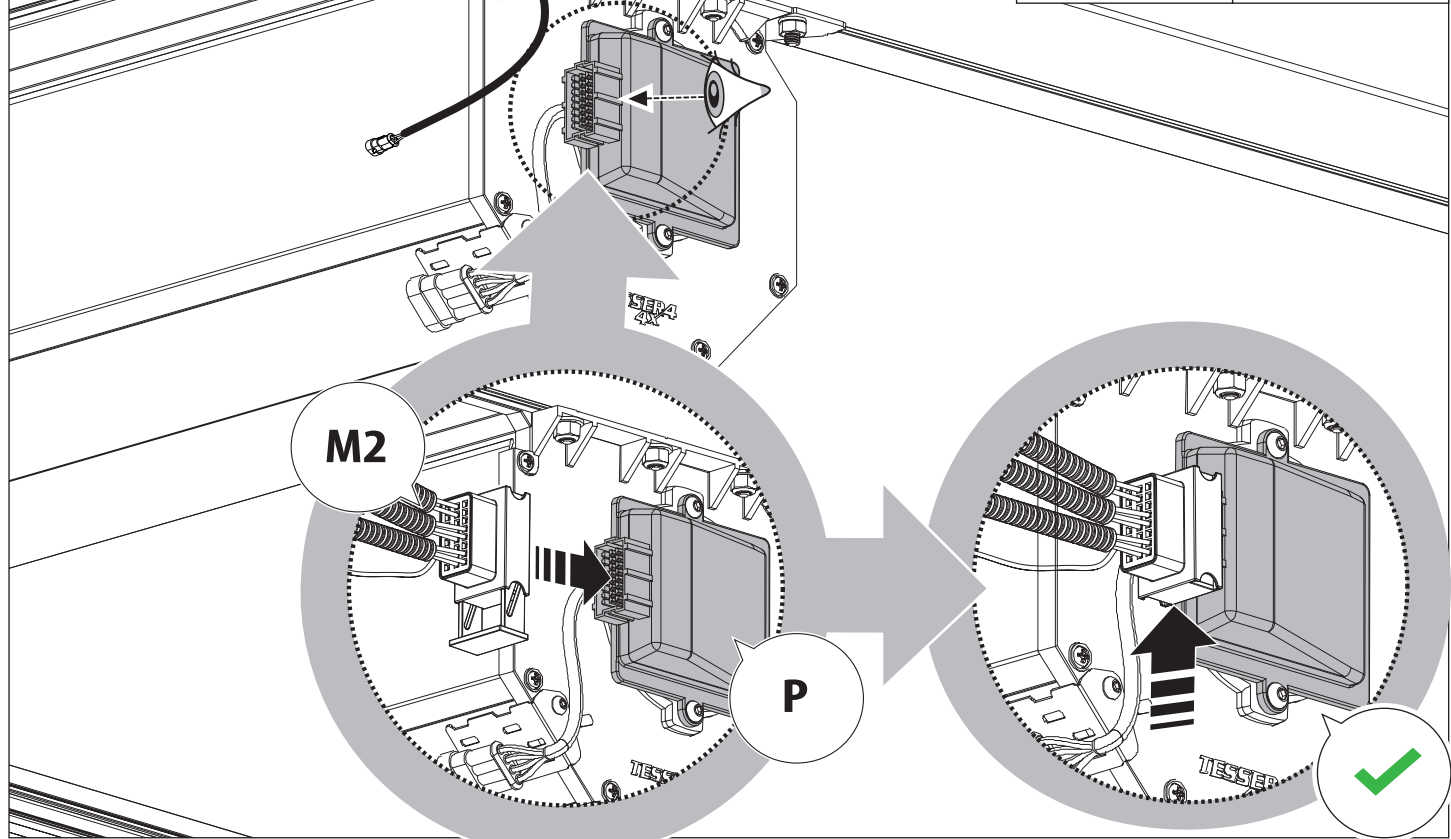
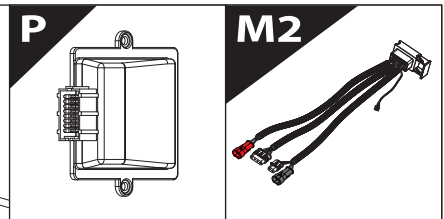


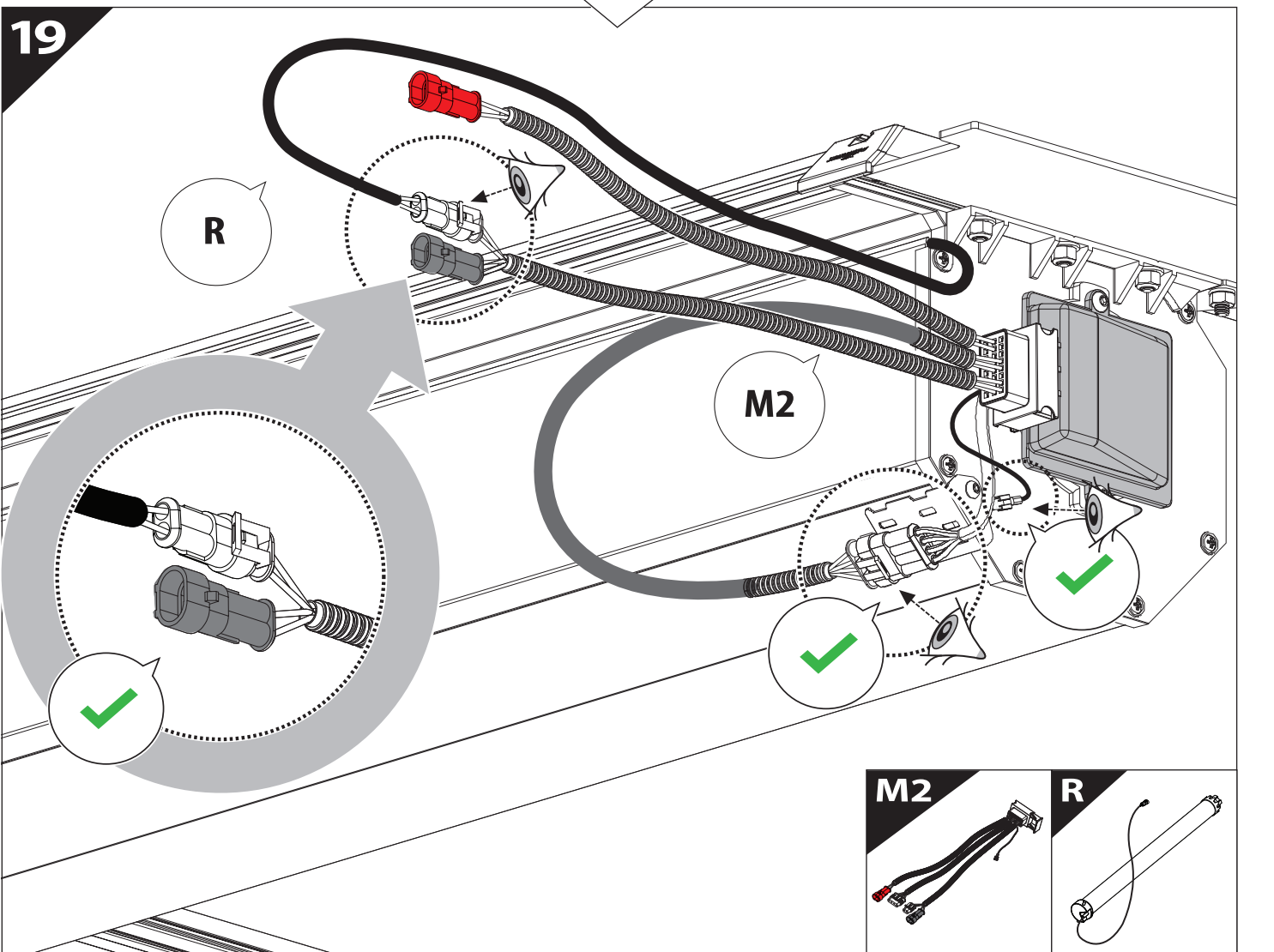
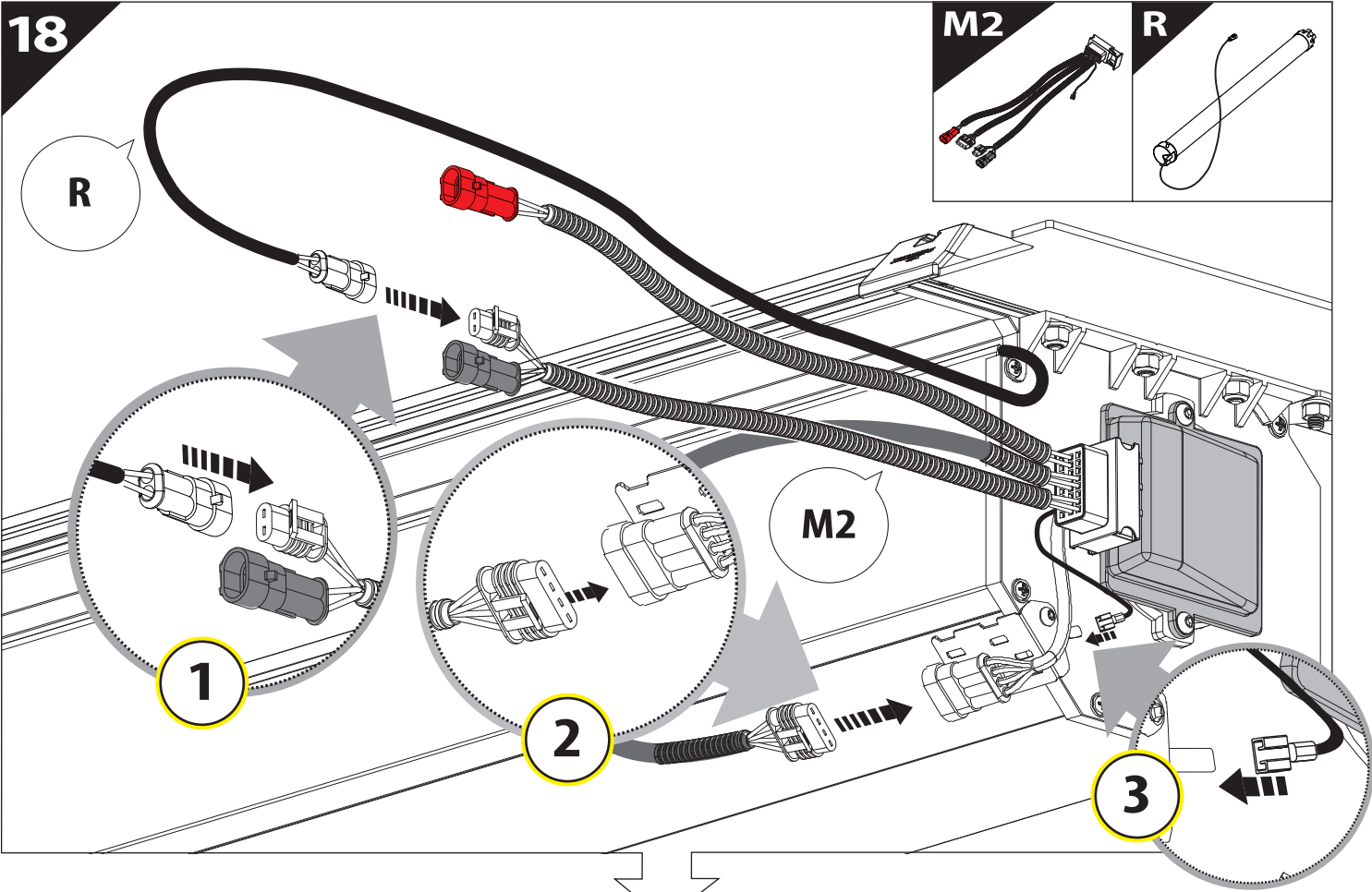


16



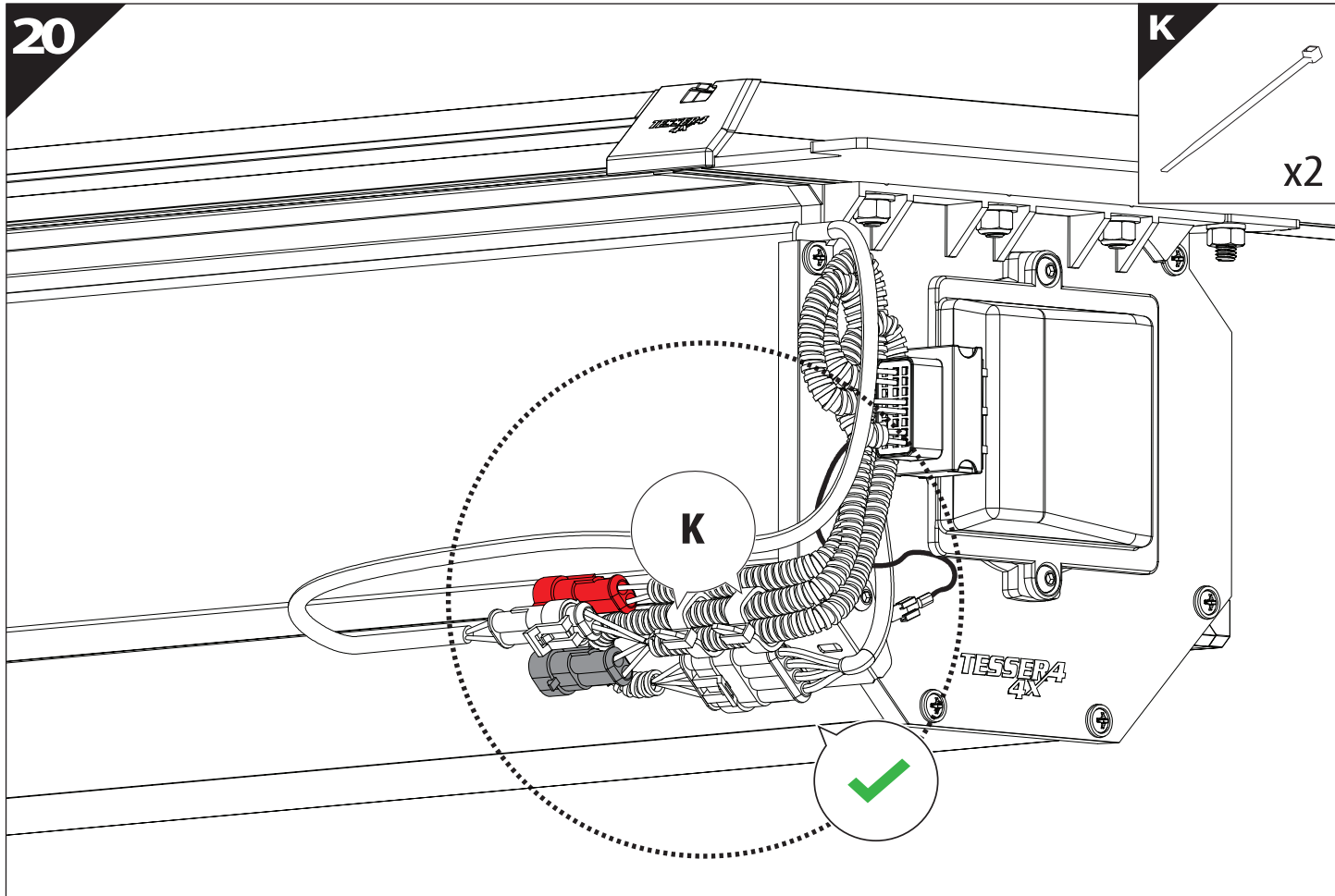
17



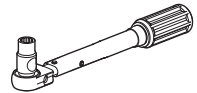


20

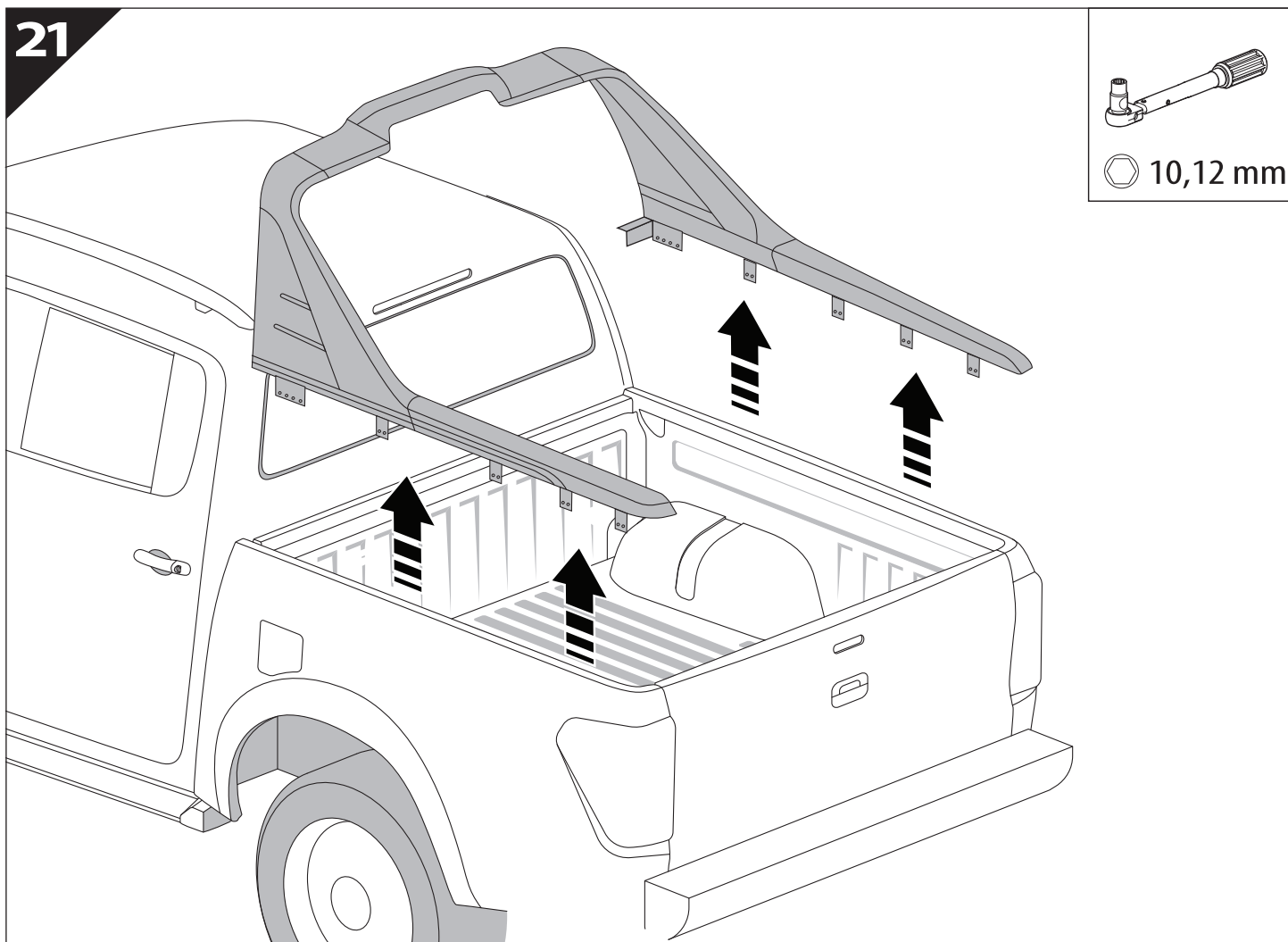
K



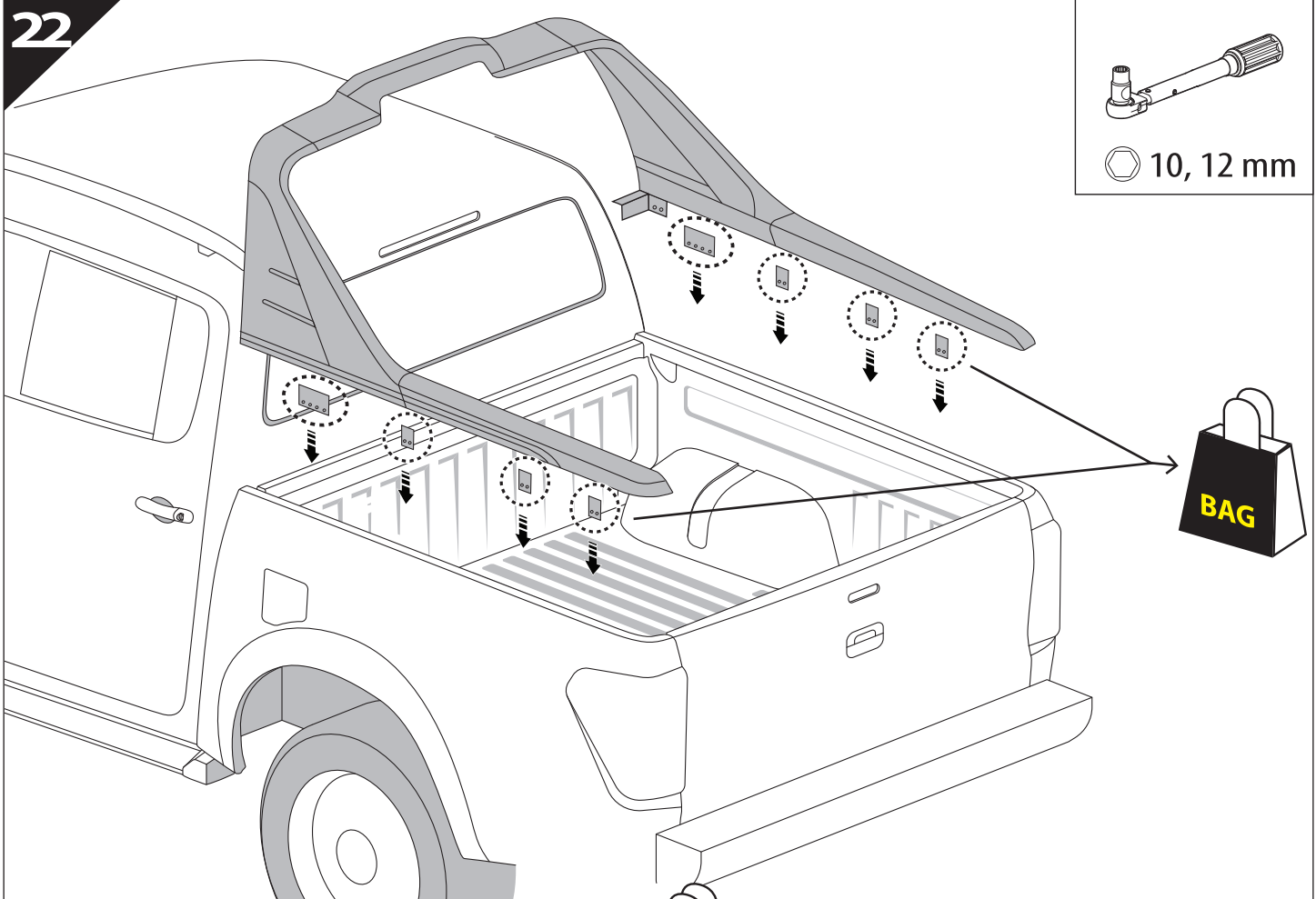
21



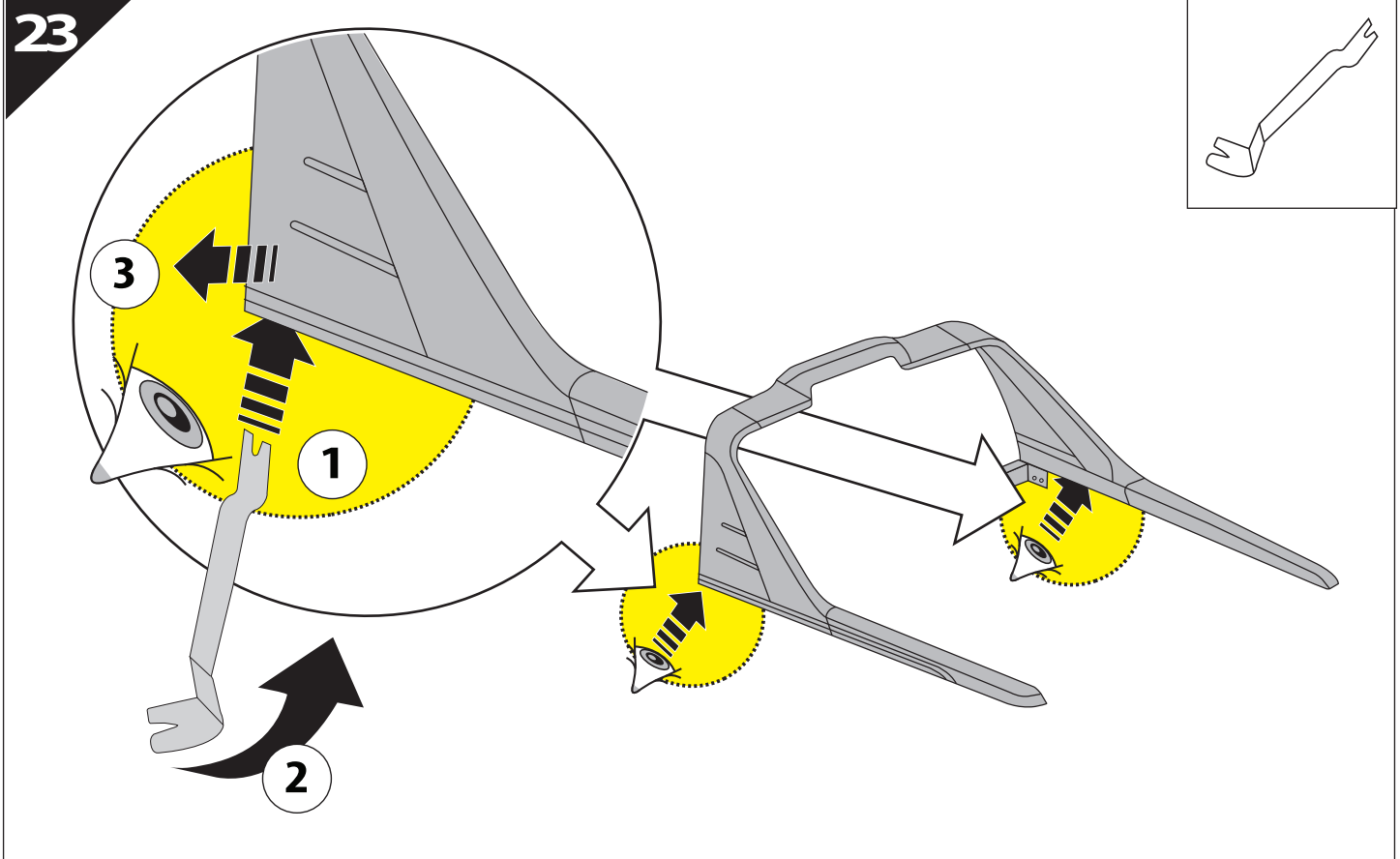
10,12 mm



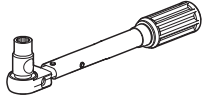
22



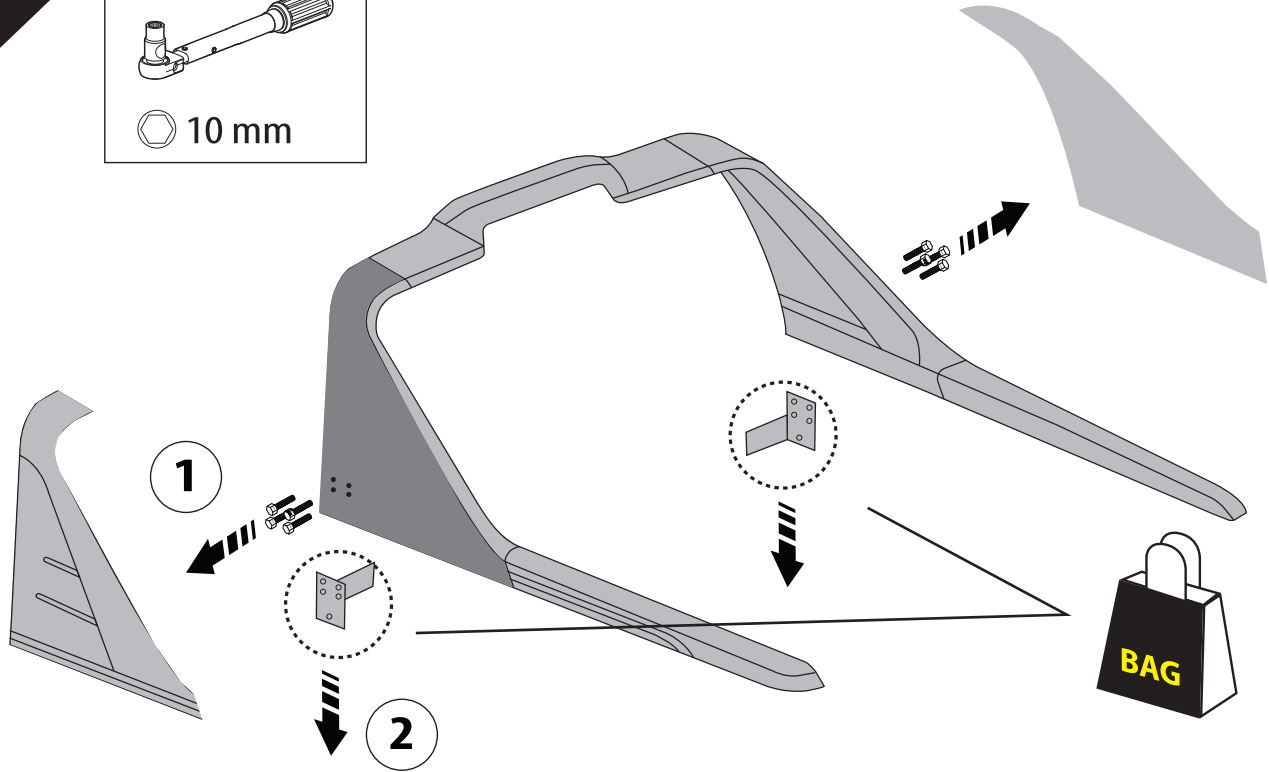
23



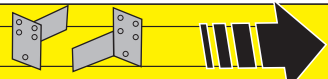
24



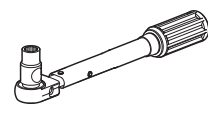
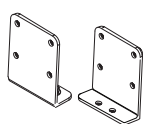
10 mm



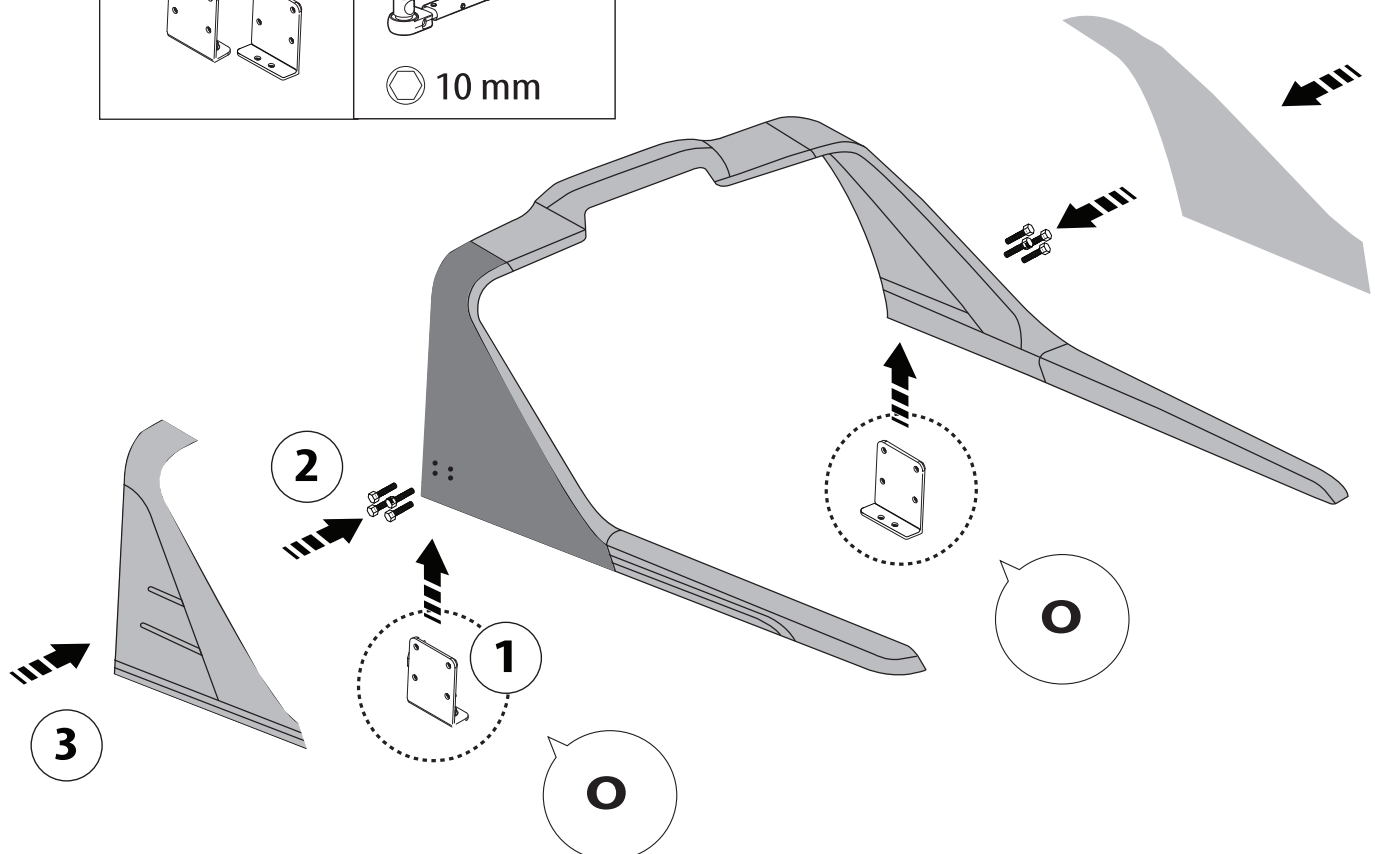
! KEEP IN SAFE PLACE



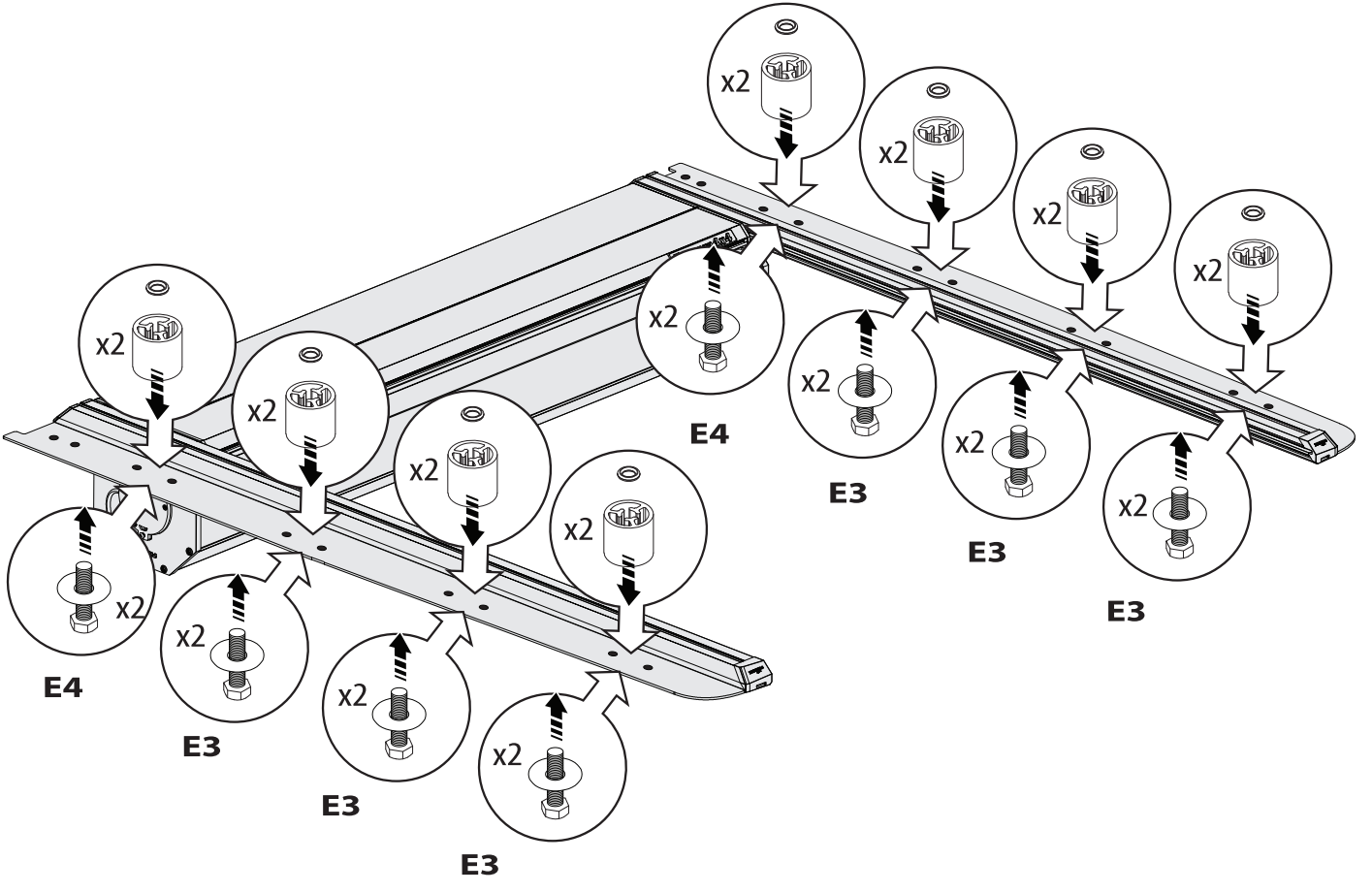
25



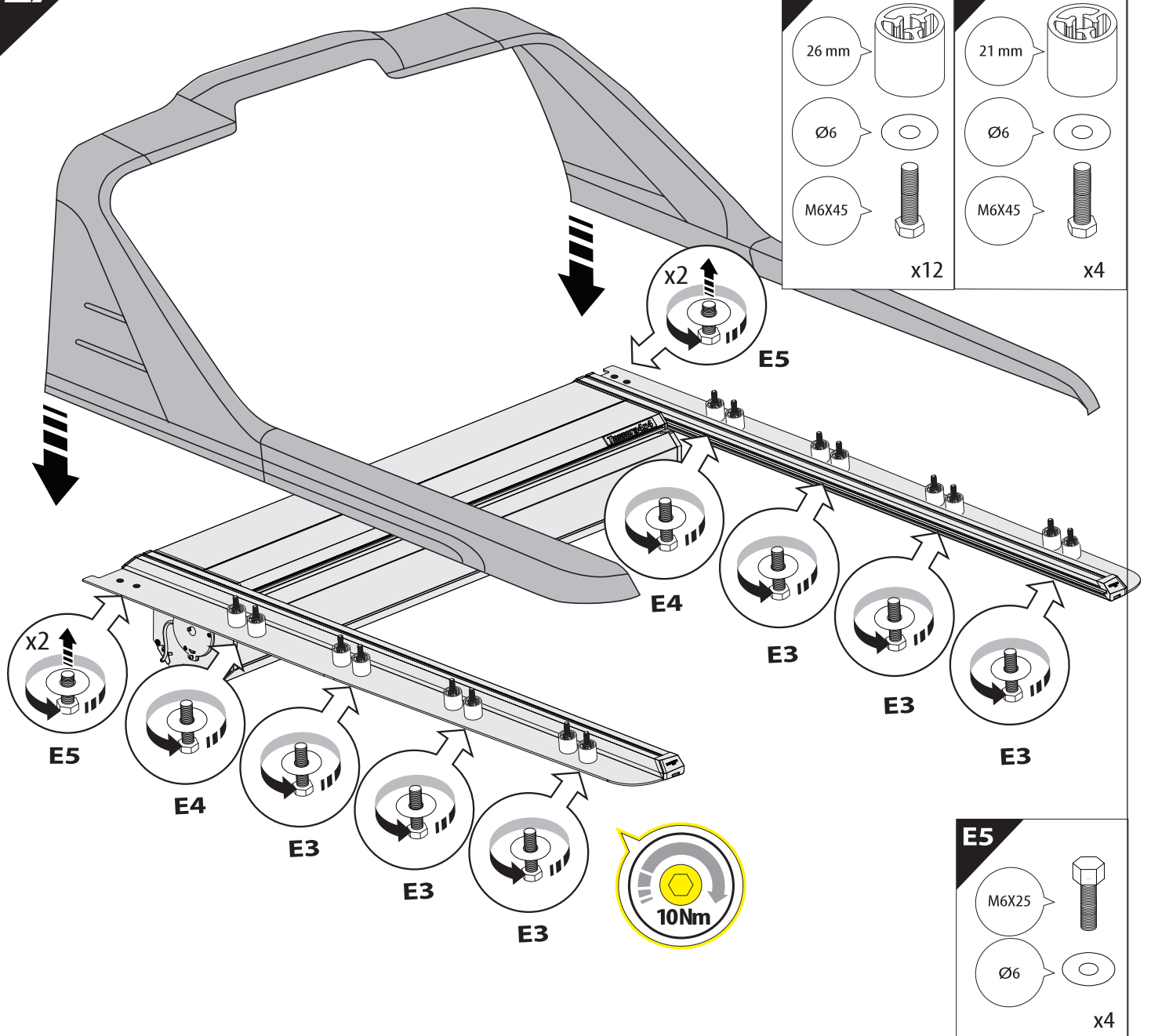
10 mm



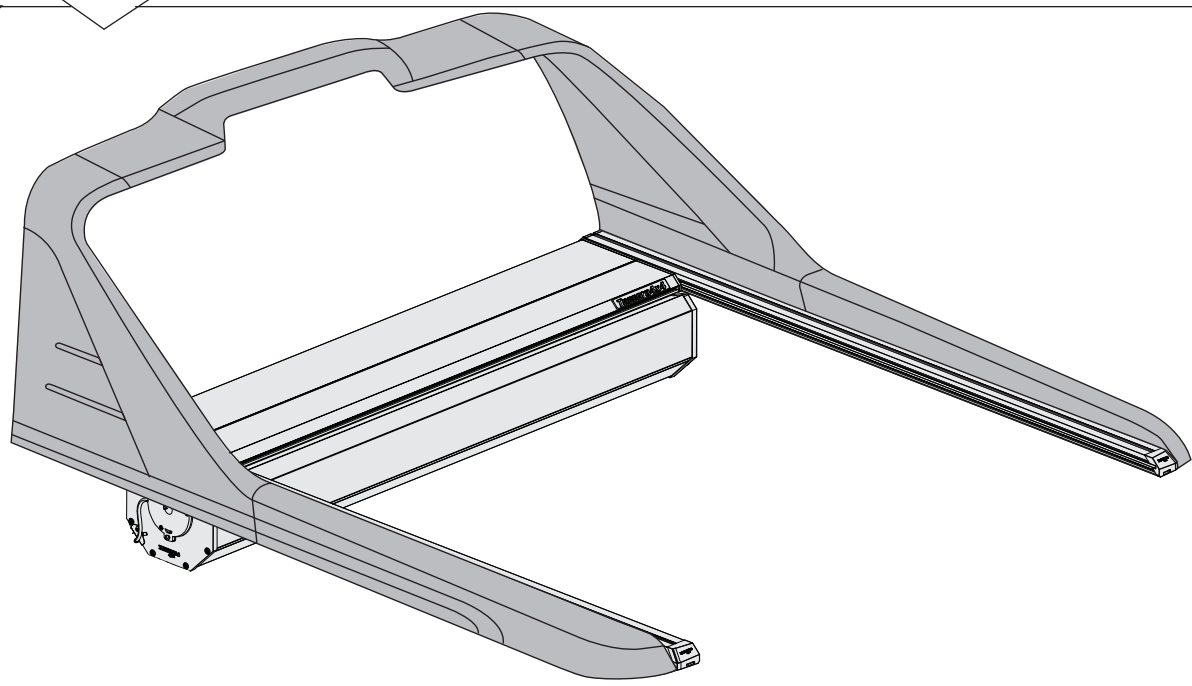
E3	E4
26 mm	21 mm
Ø6	Ø6
M6X45	M6X45
x12	x4



27

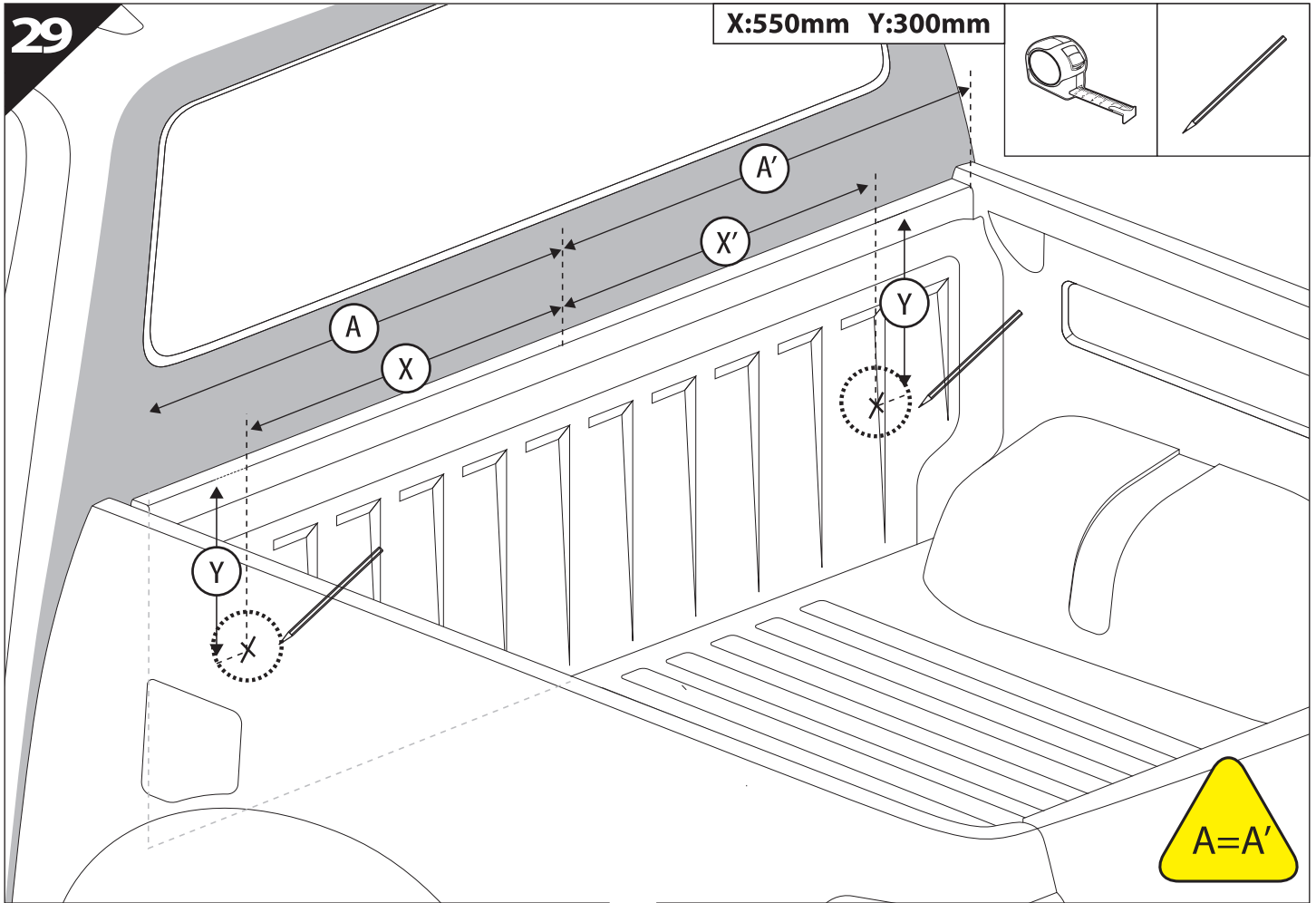
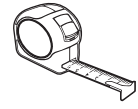


28



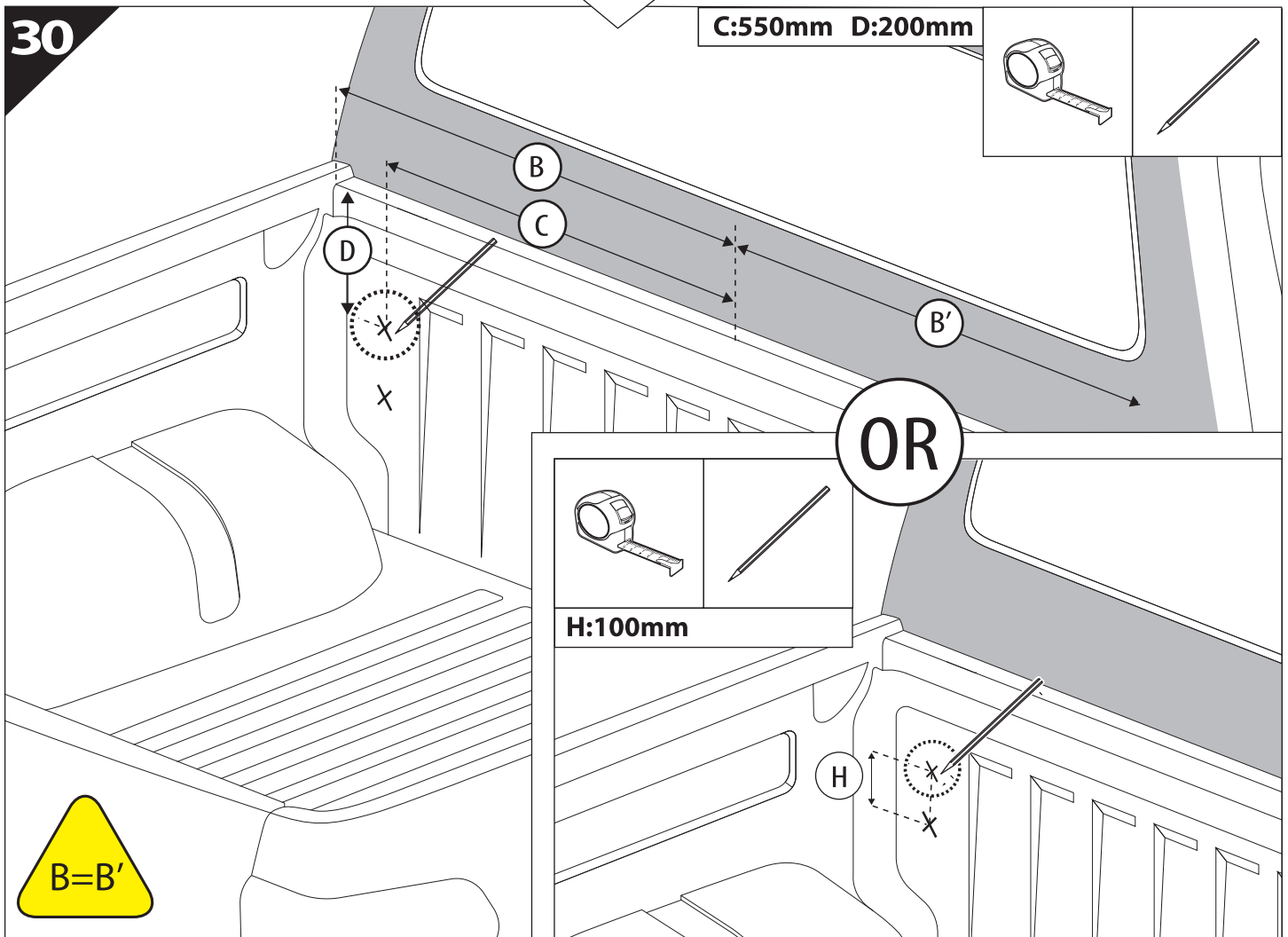
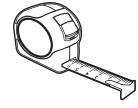
29

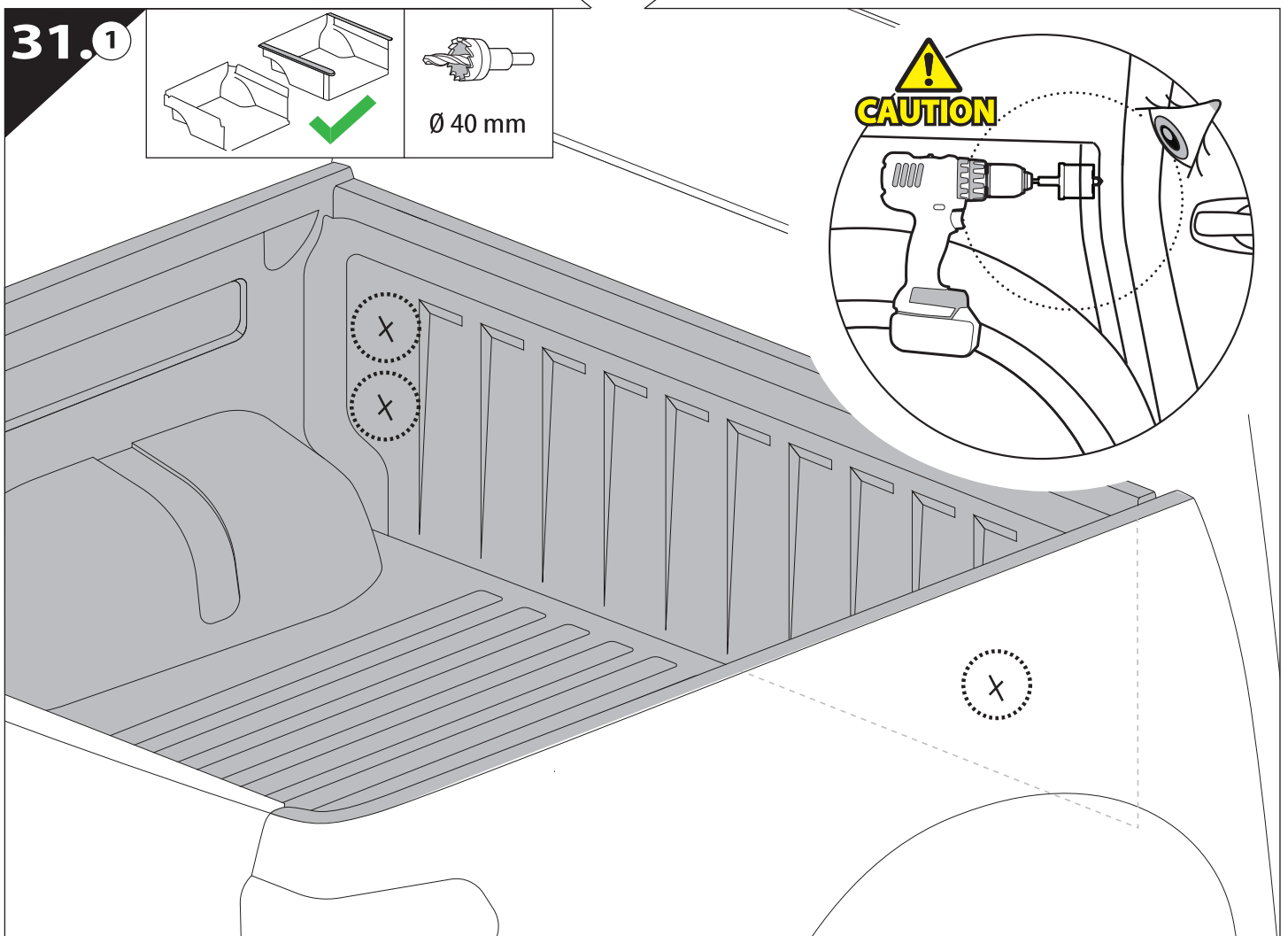
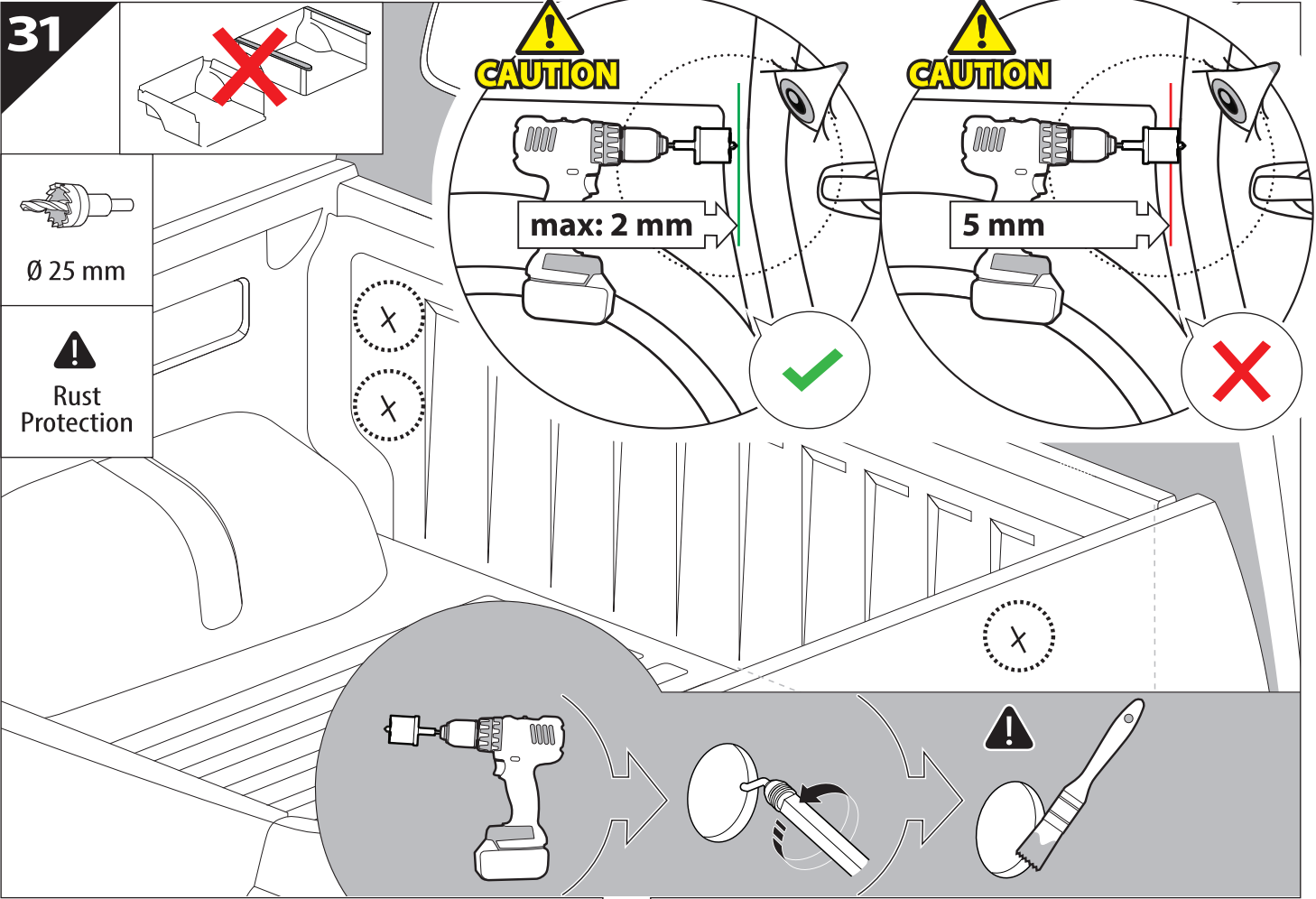
X:550mm Y:300mm



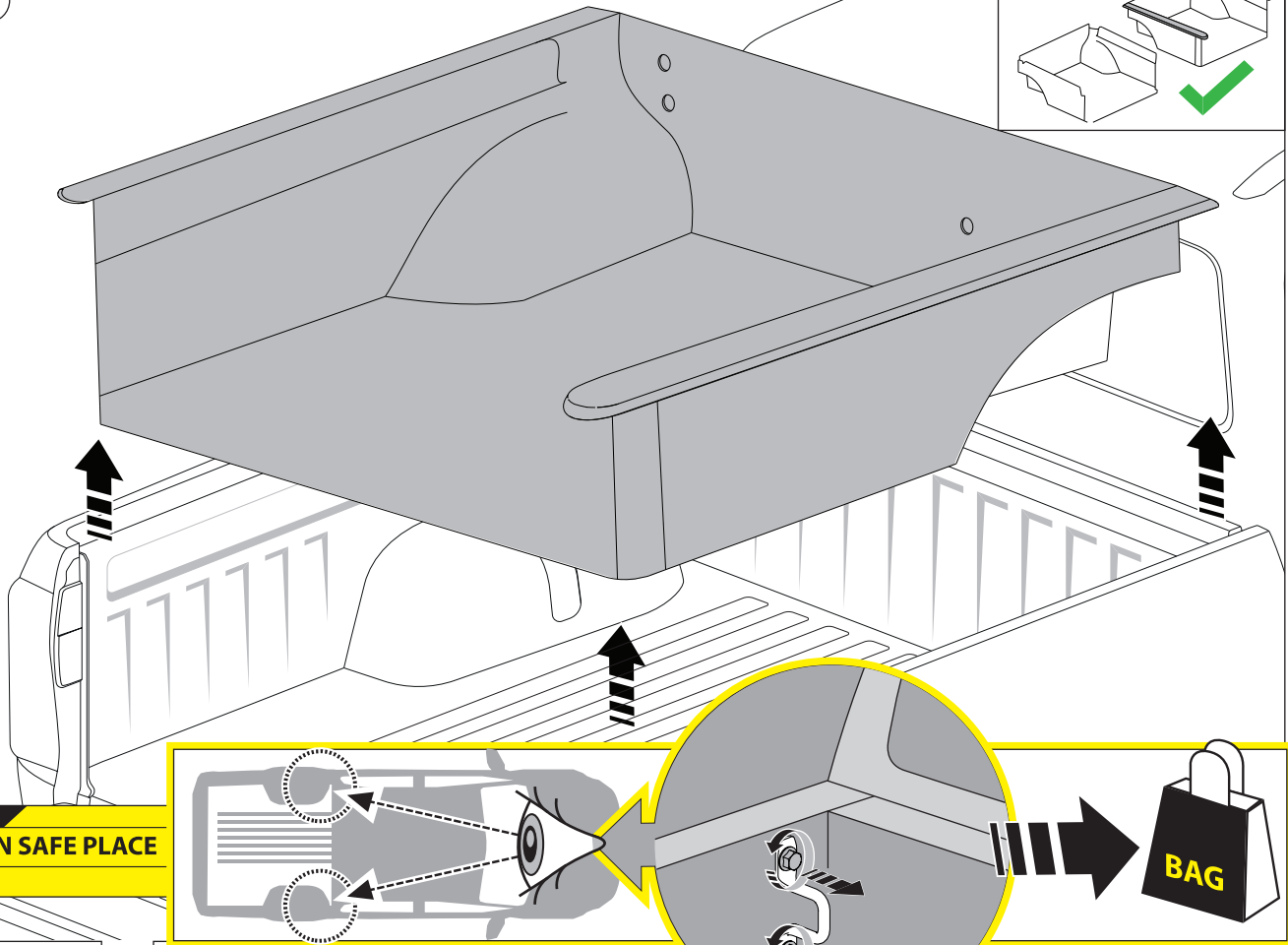
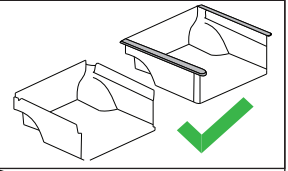
30

C:550mm D:200mm



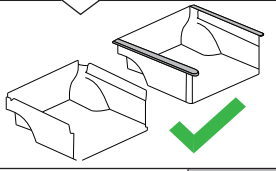


31.2



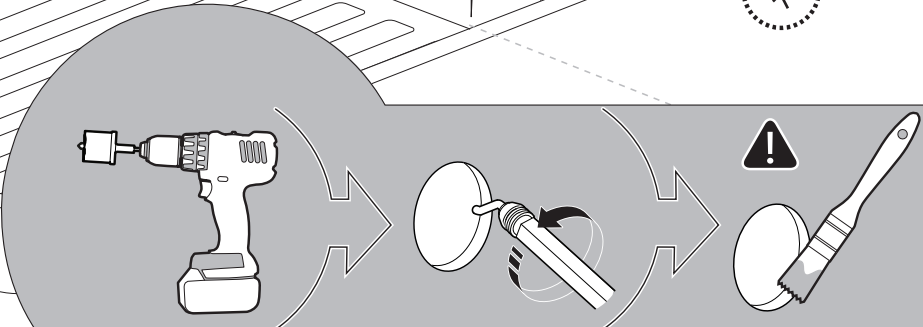
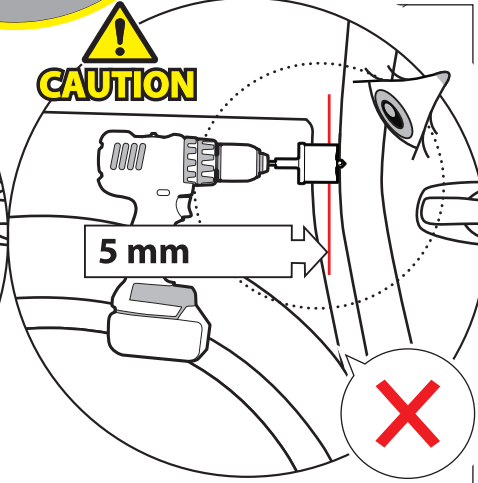
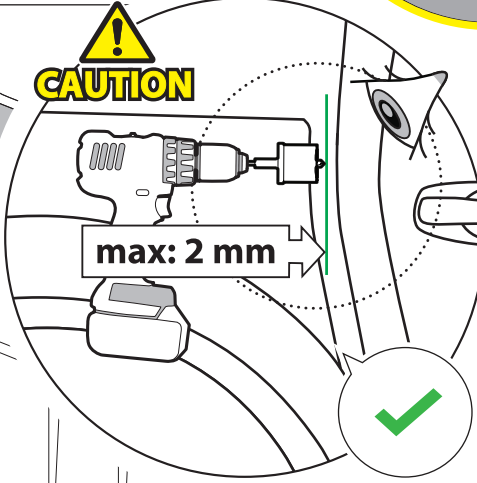
! KEEP IN SAFE PLACE

31.3

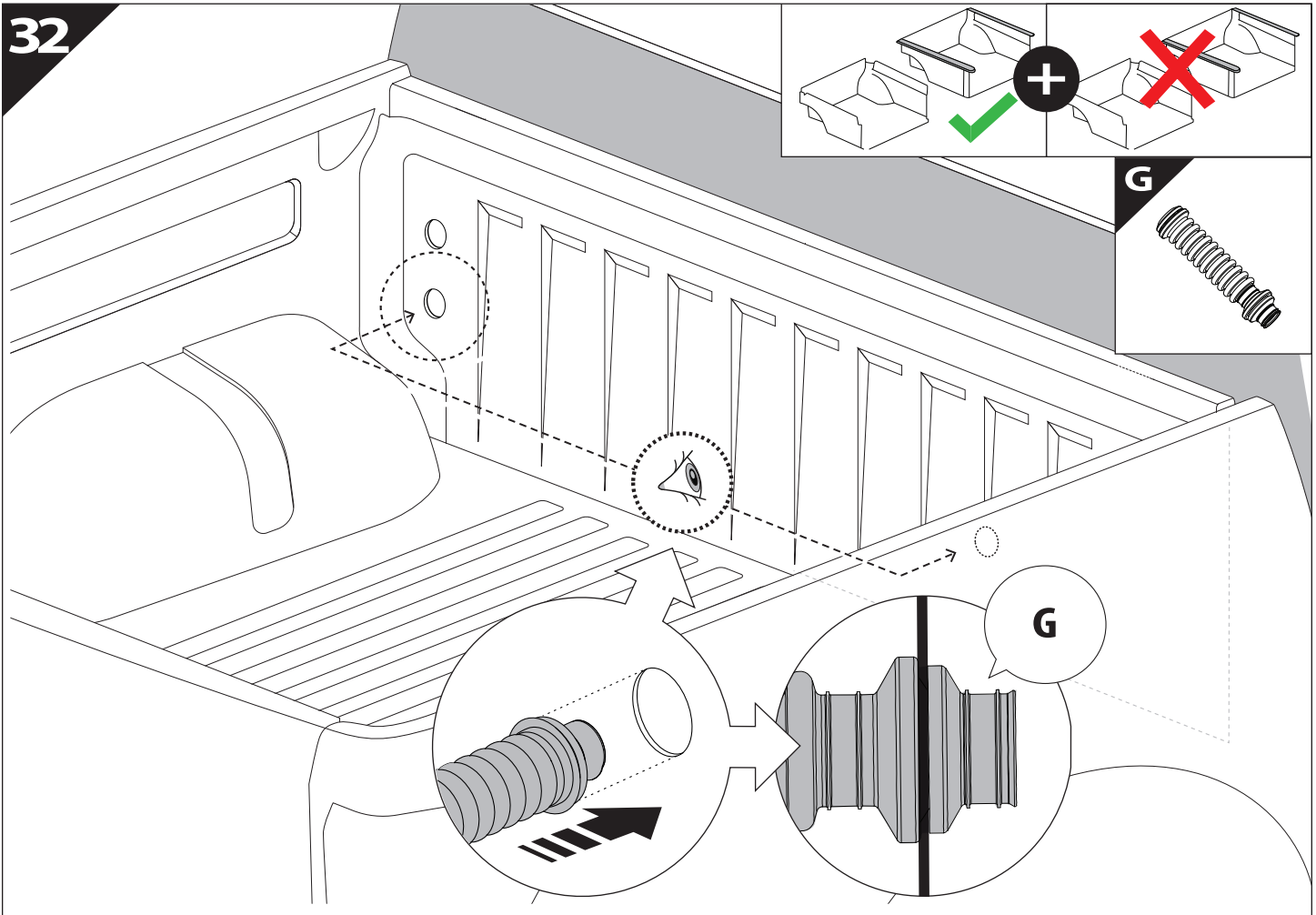



Ø 25 mm

! Rust Protection

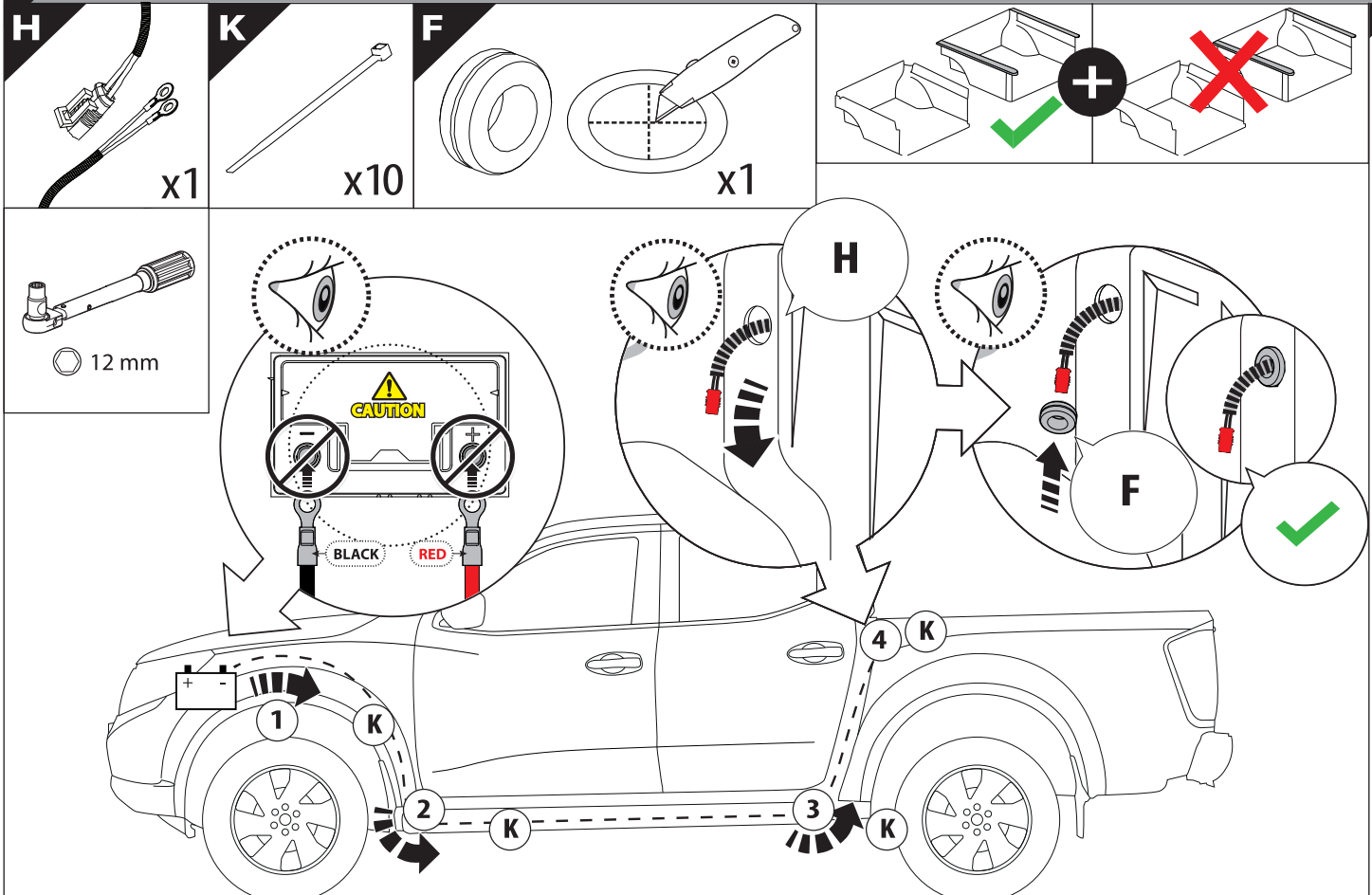


32

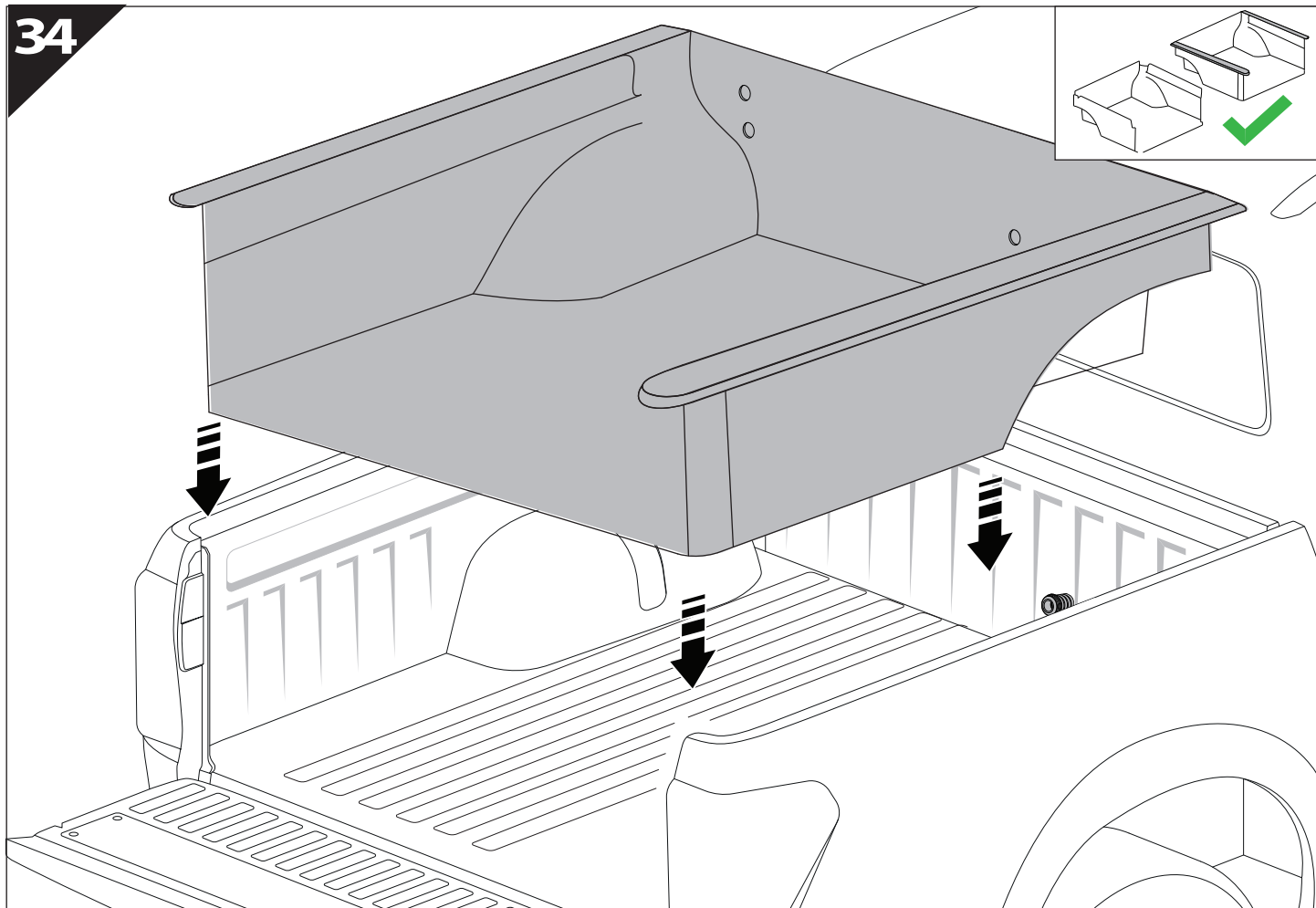


33

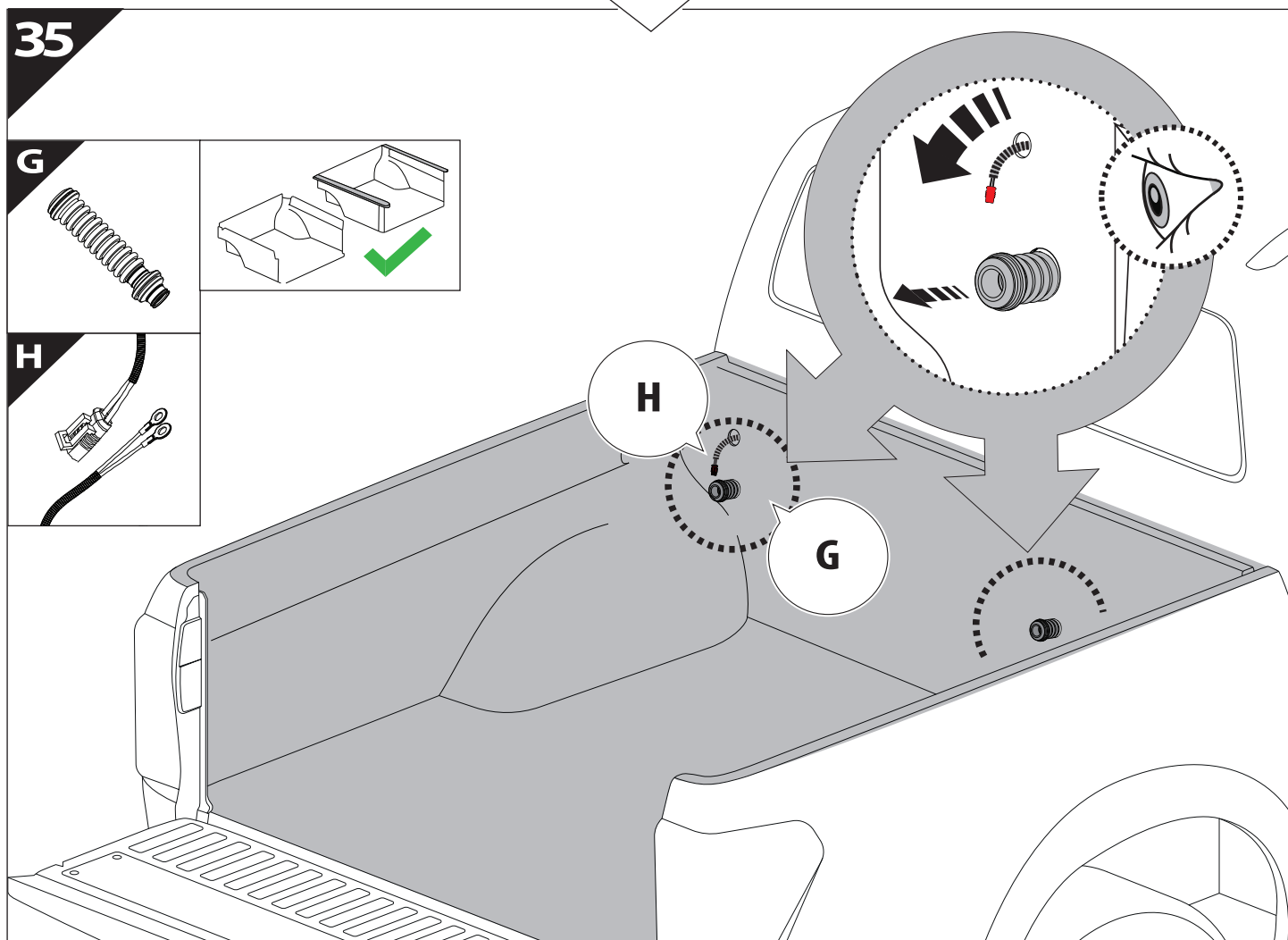
Only to be installed by authorized personnel



34

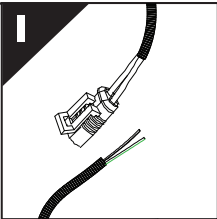


35

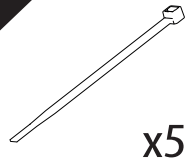


36

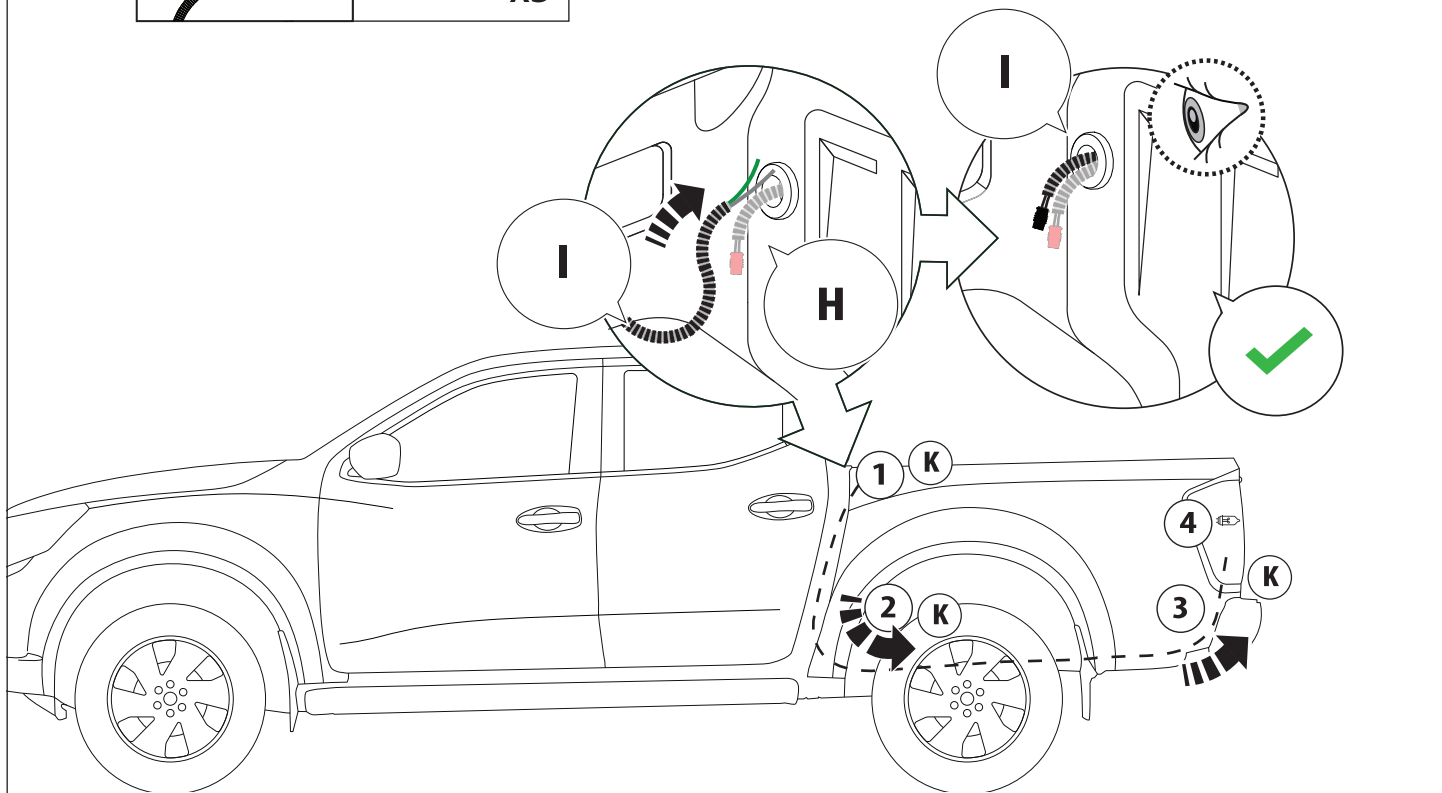
I



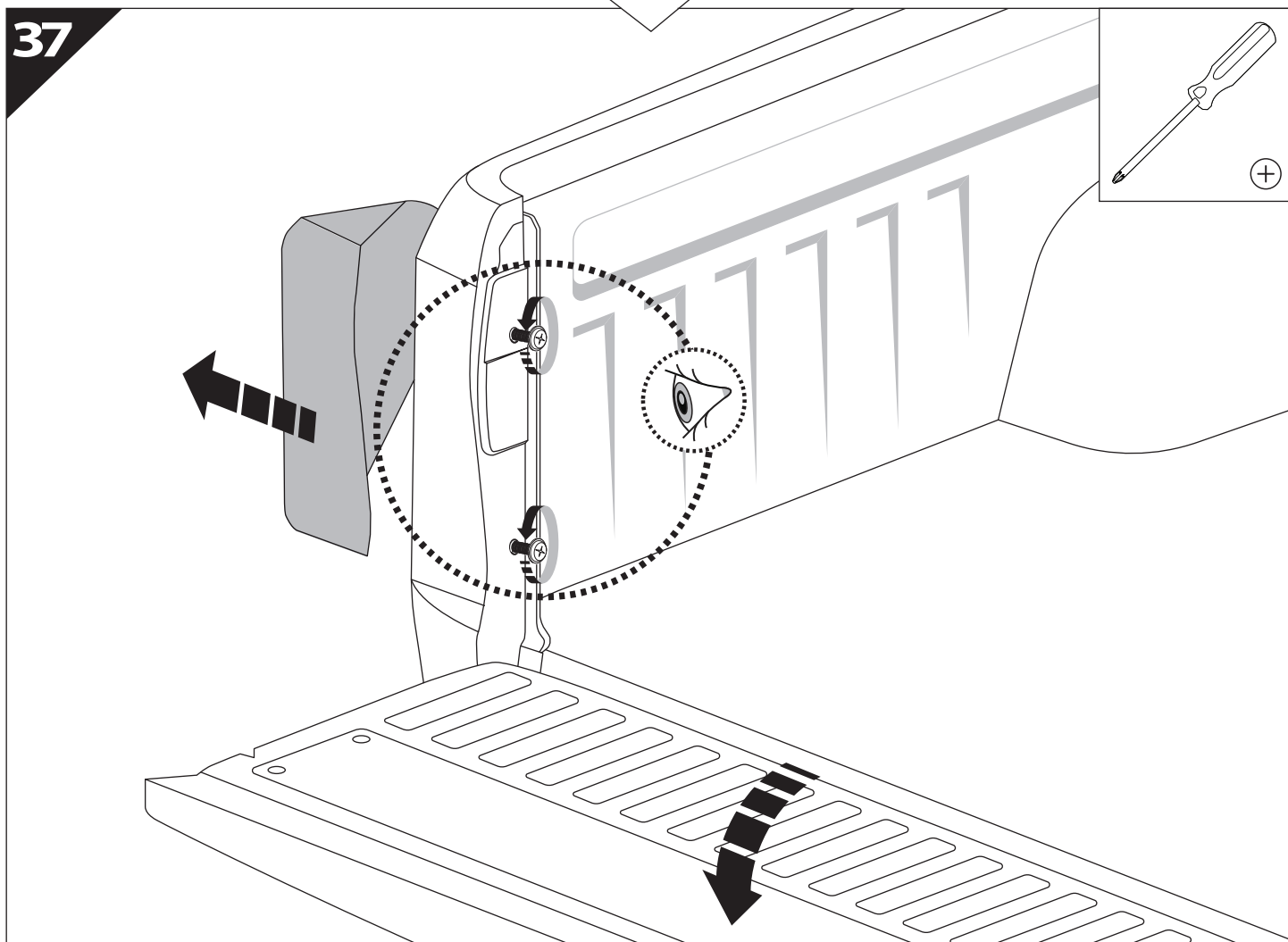
K



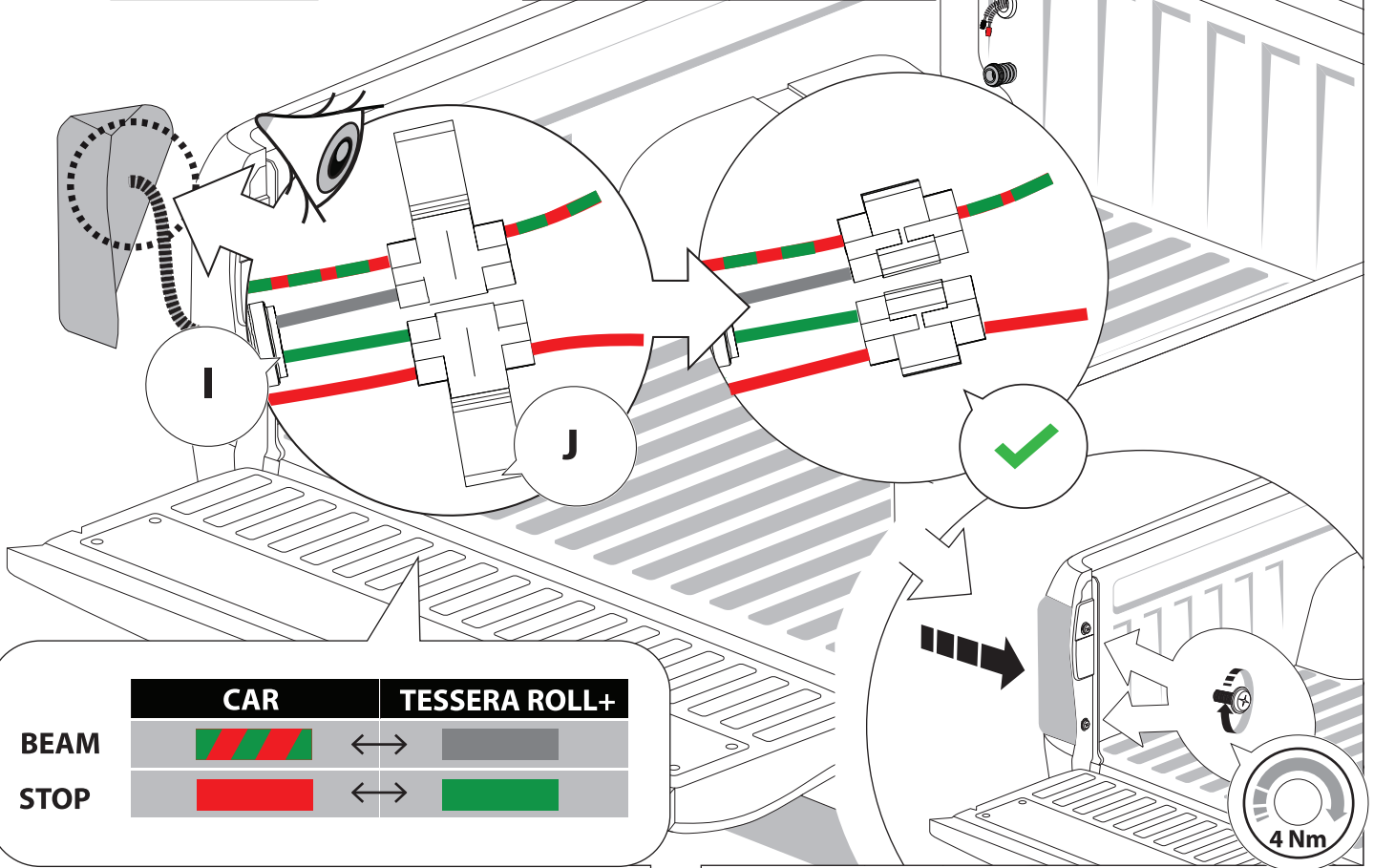
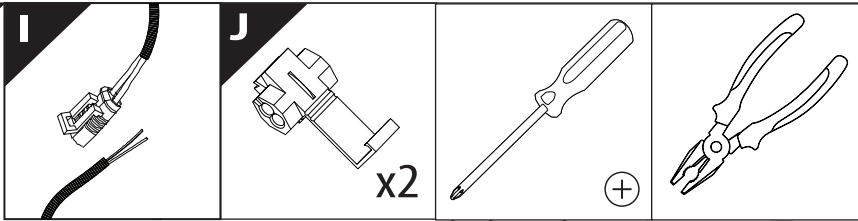
x5



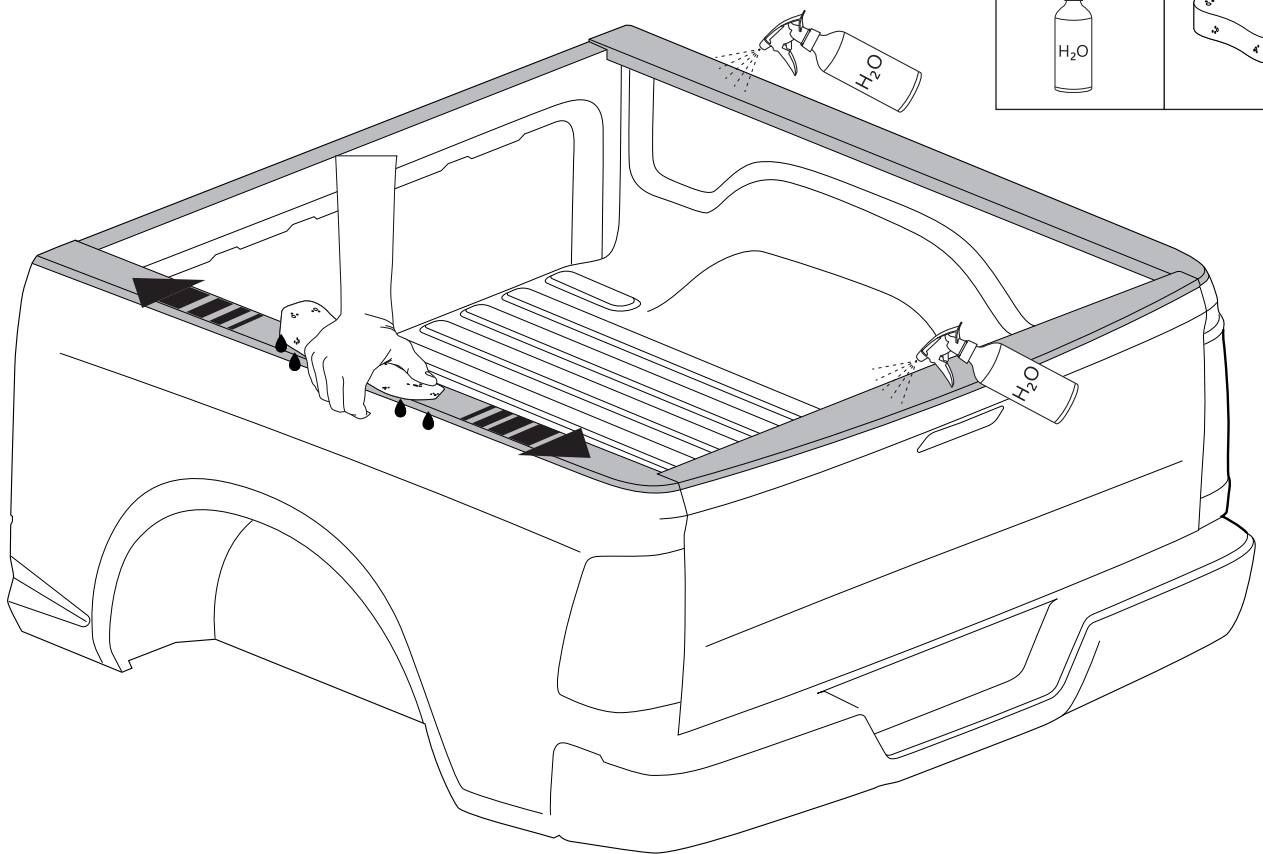
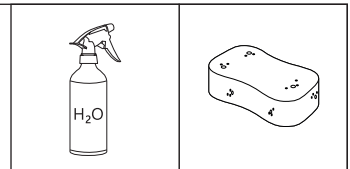
37

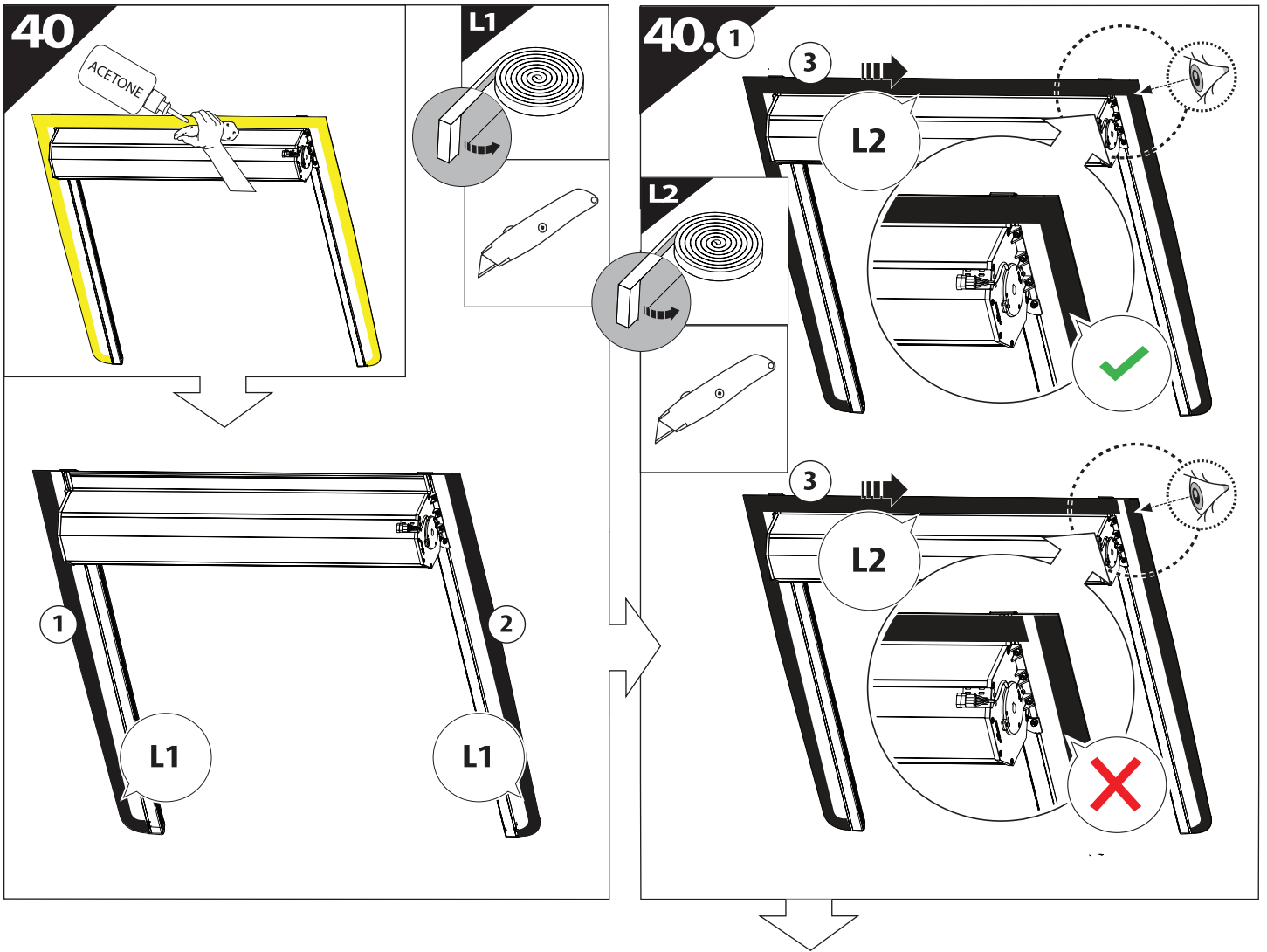


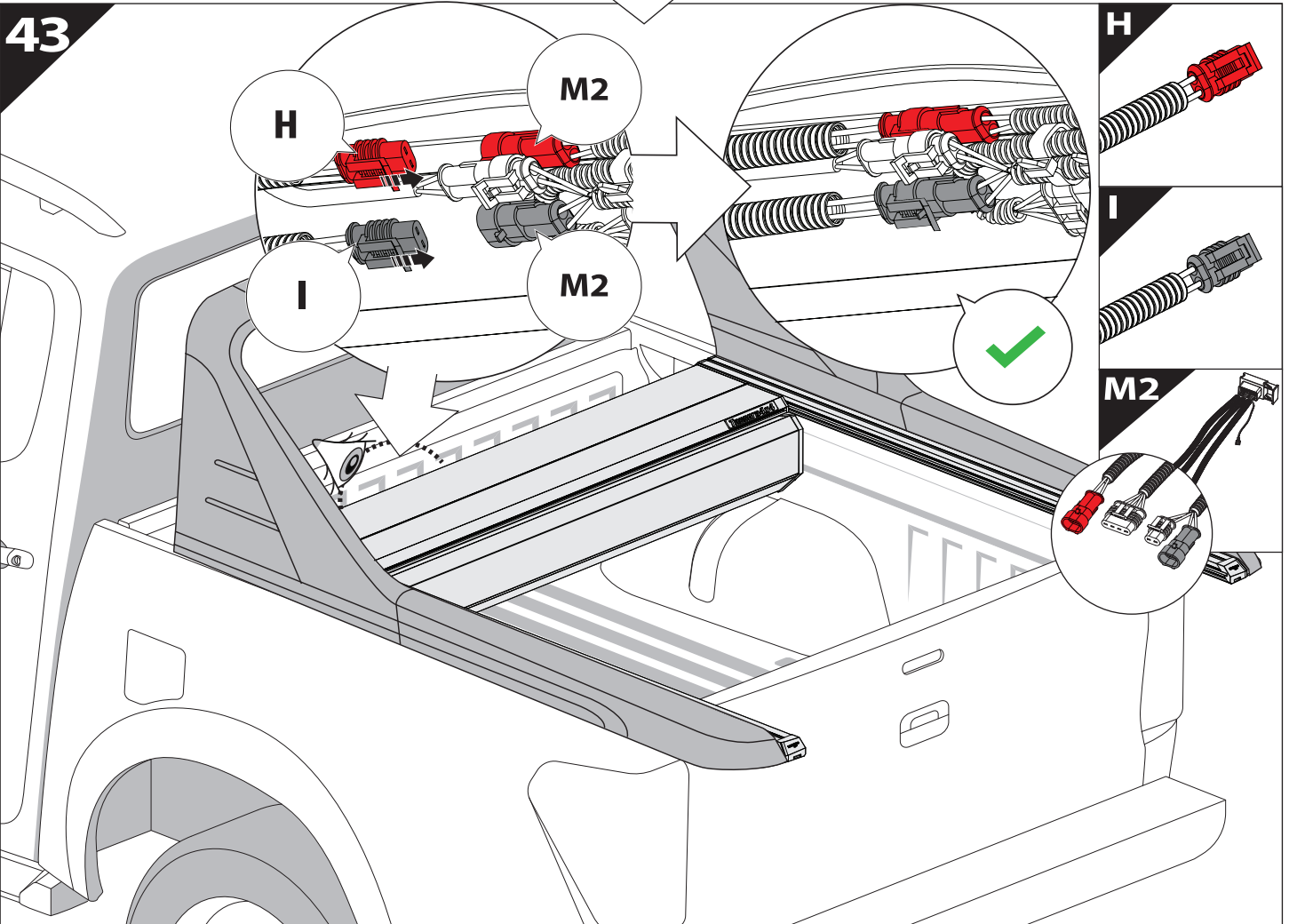
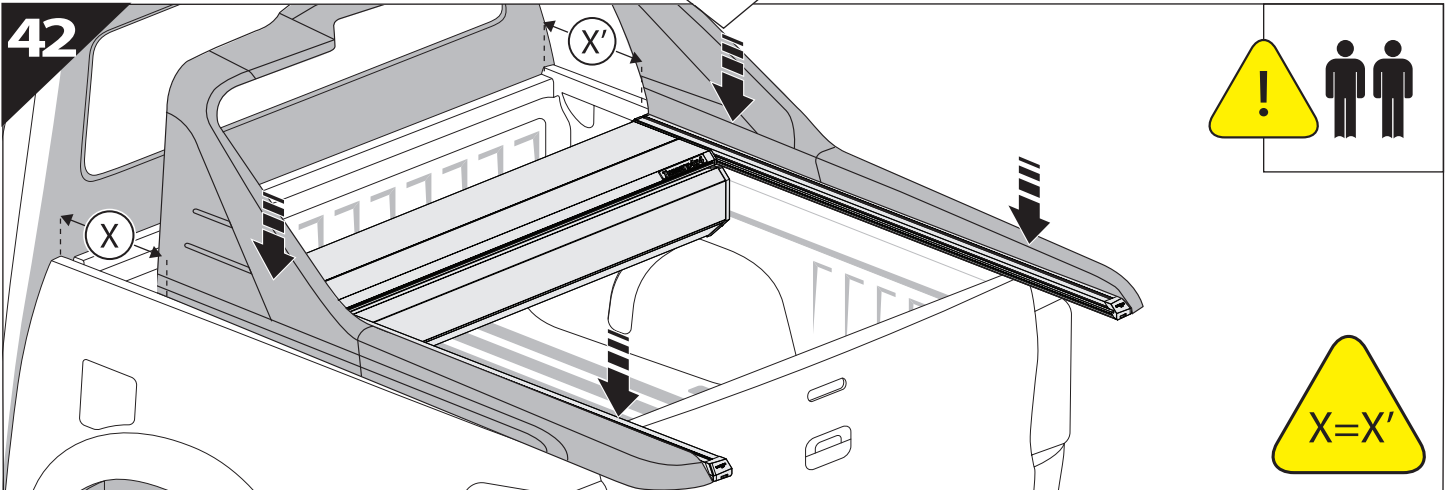
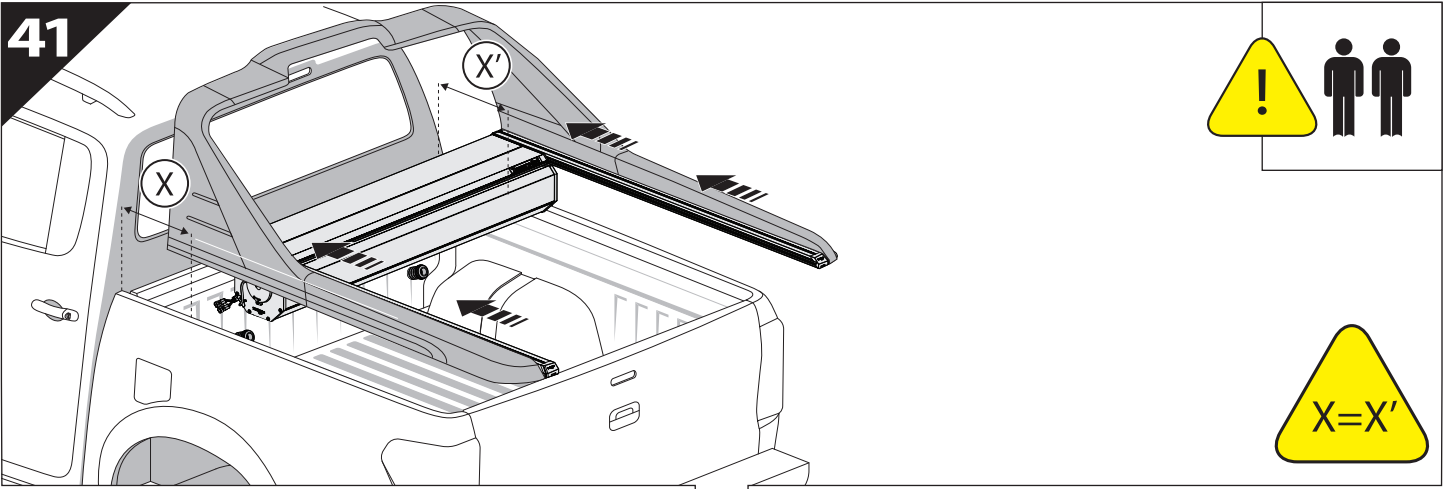
38



39

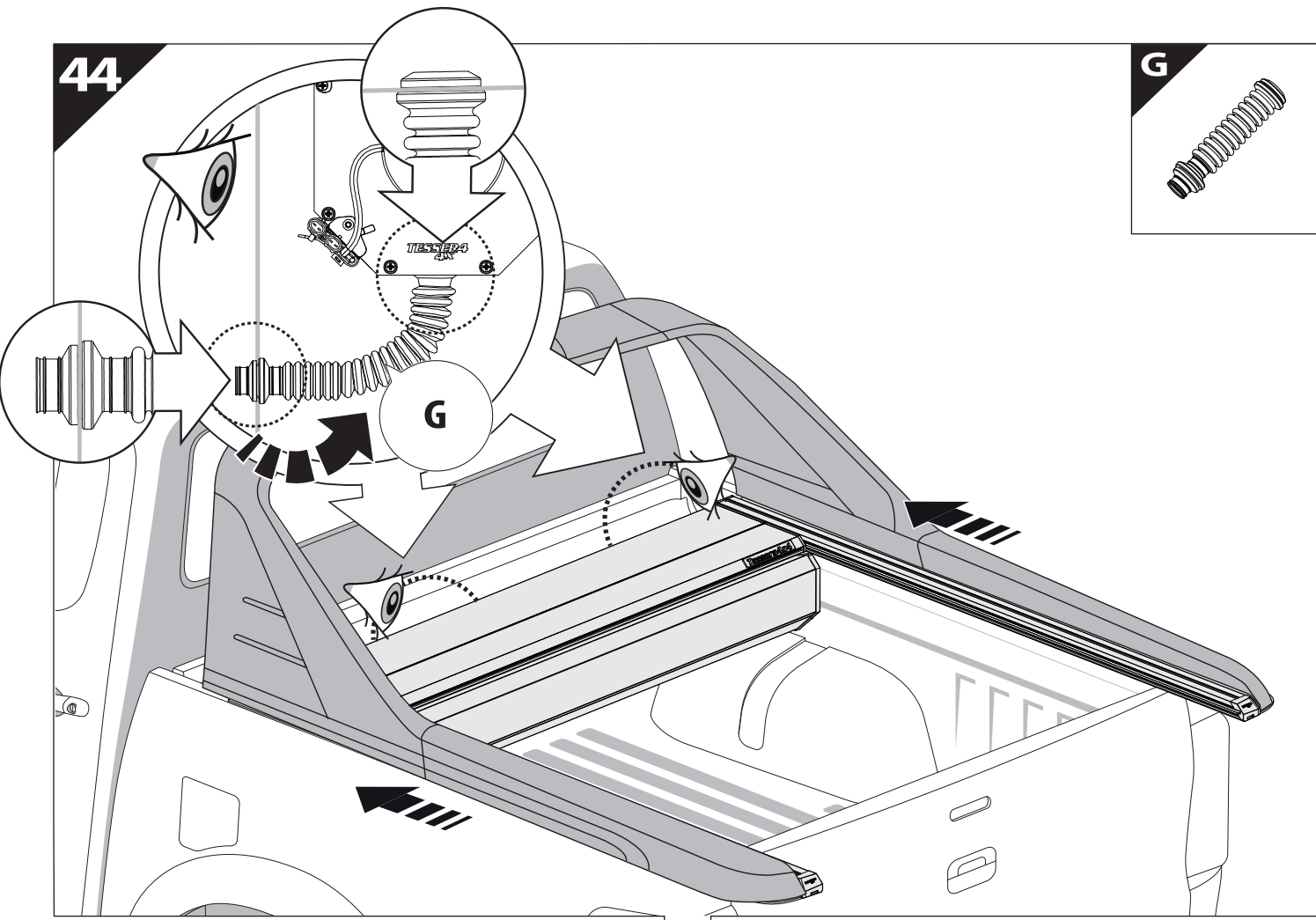




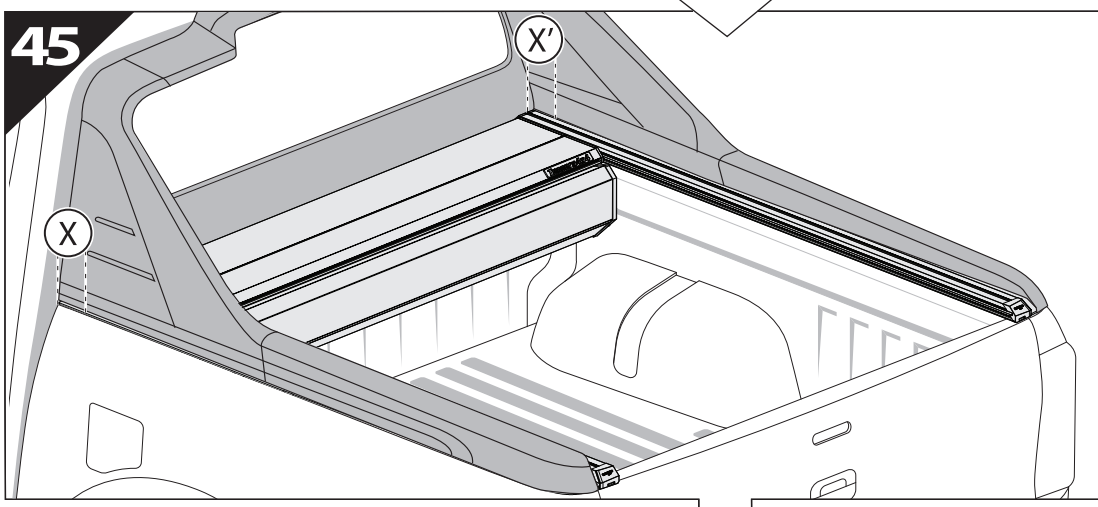
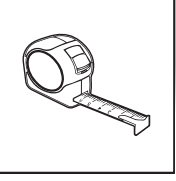
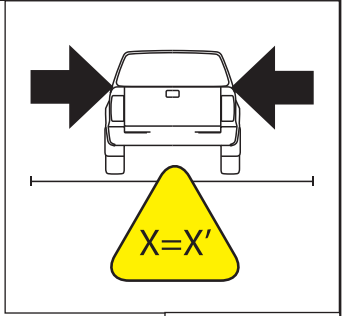


44

G

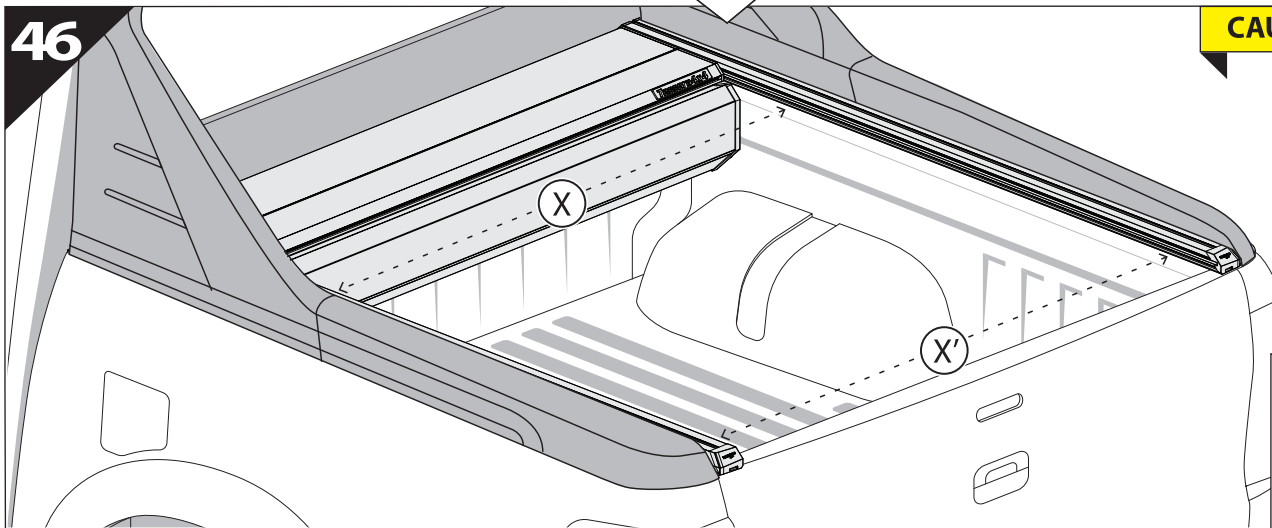
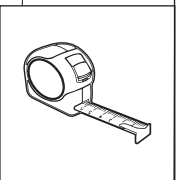
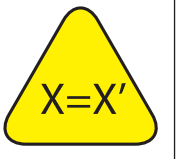


45

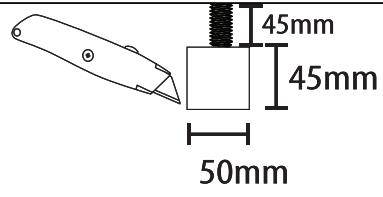
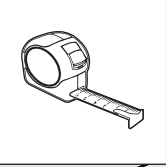
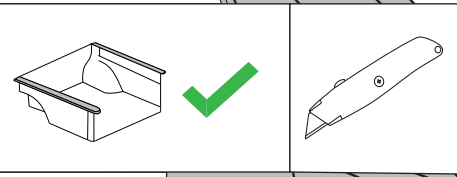


46

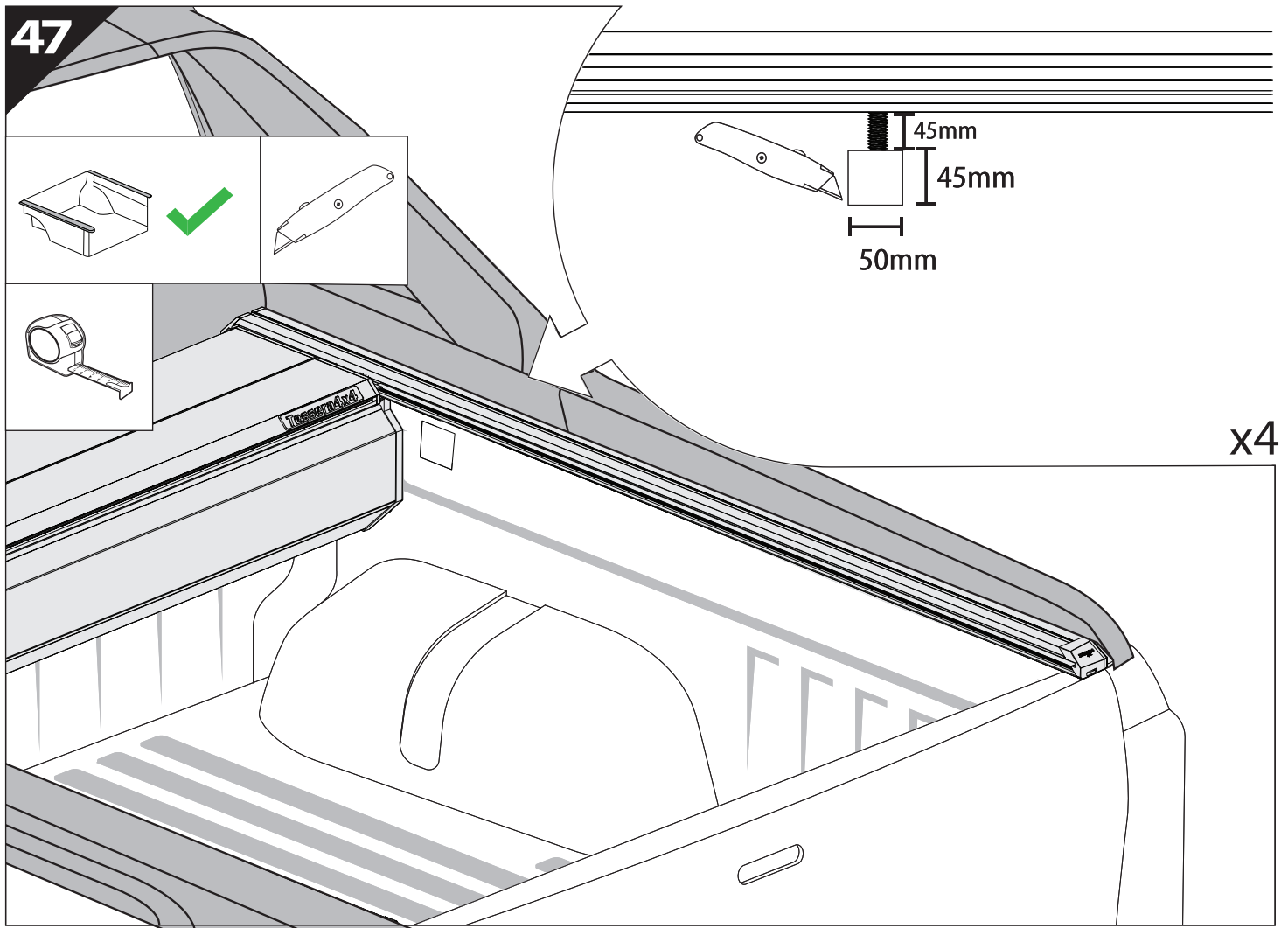
CAUTION !



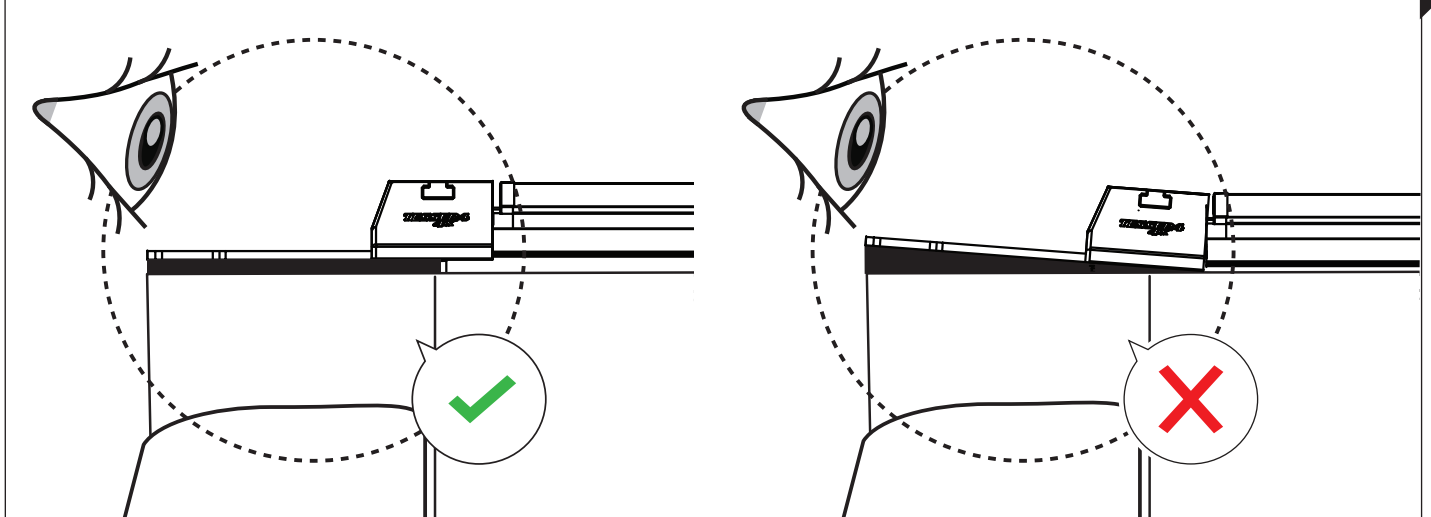
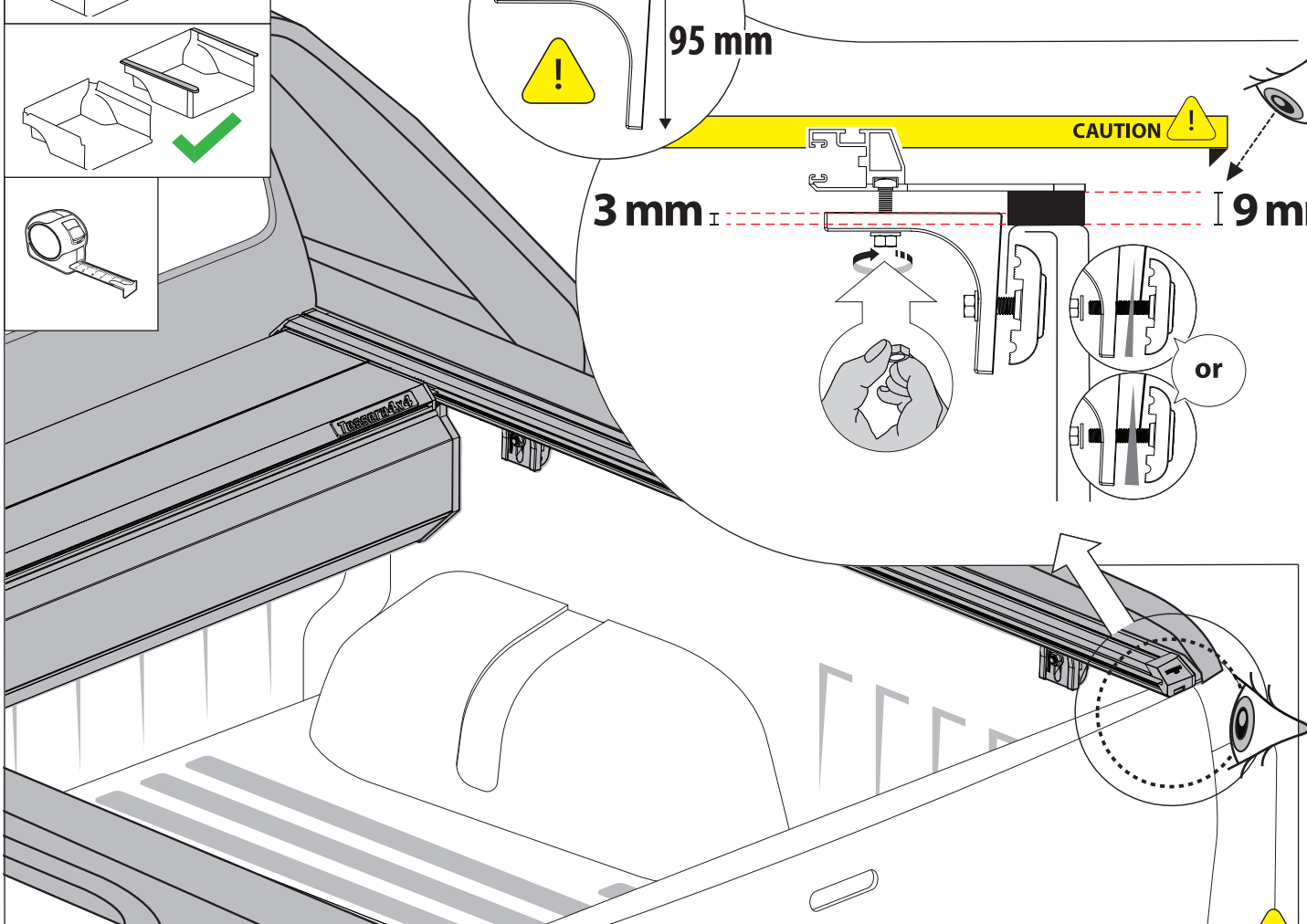
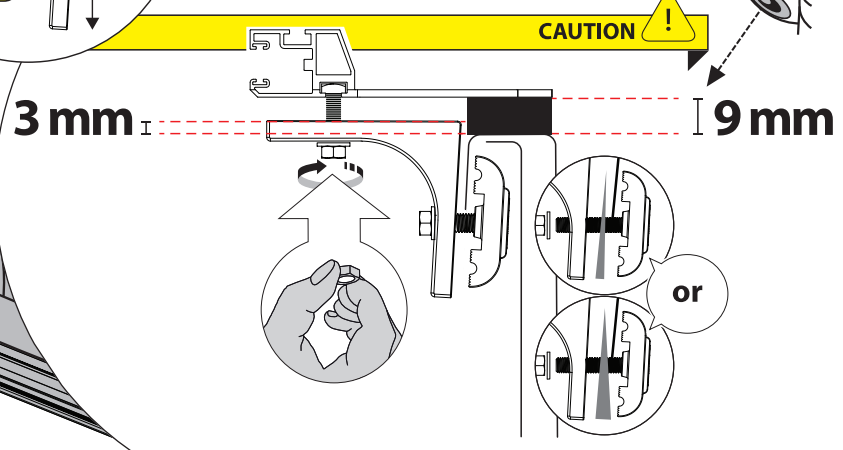
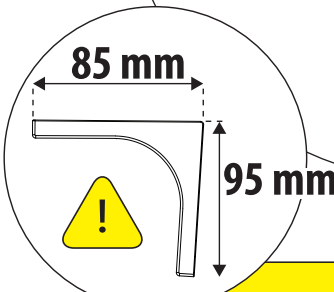
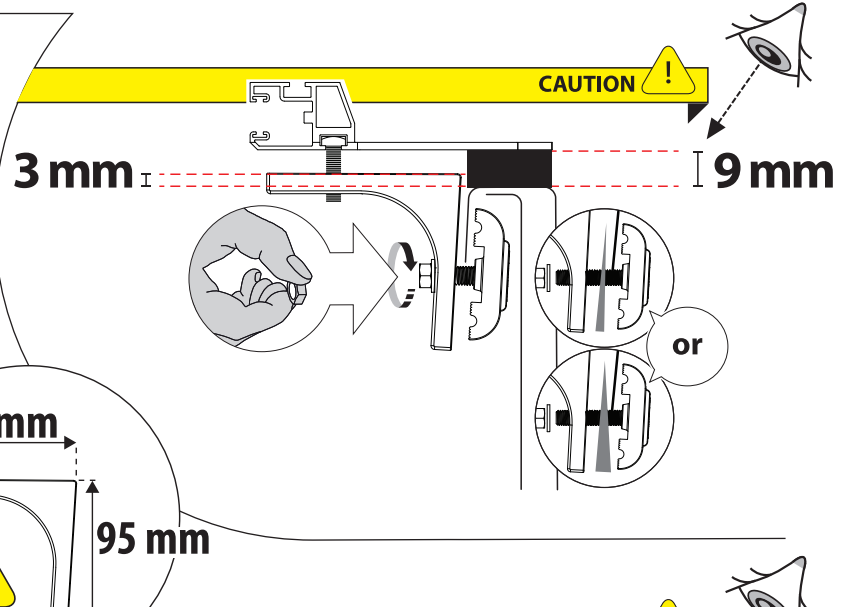
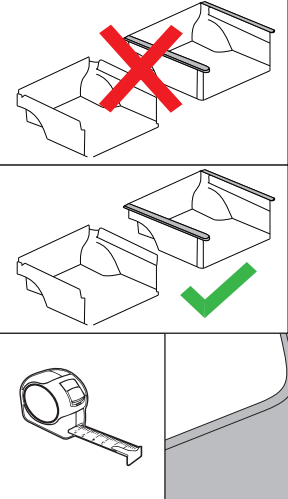
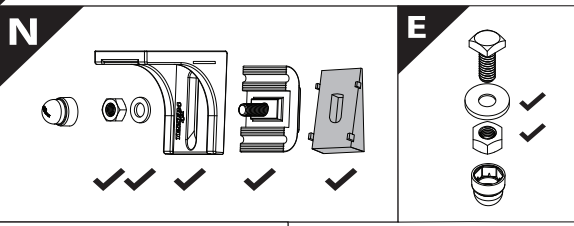
47

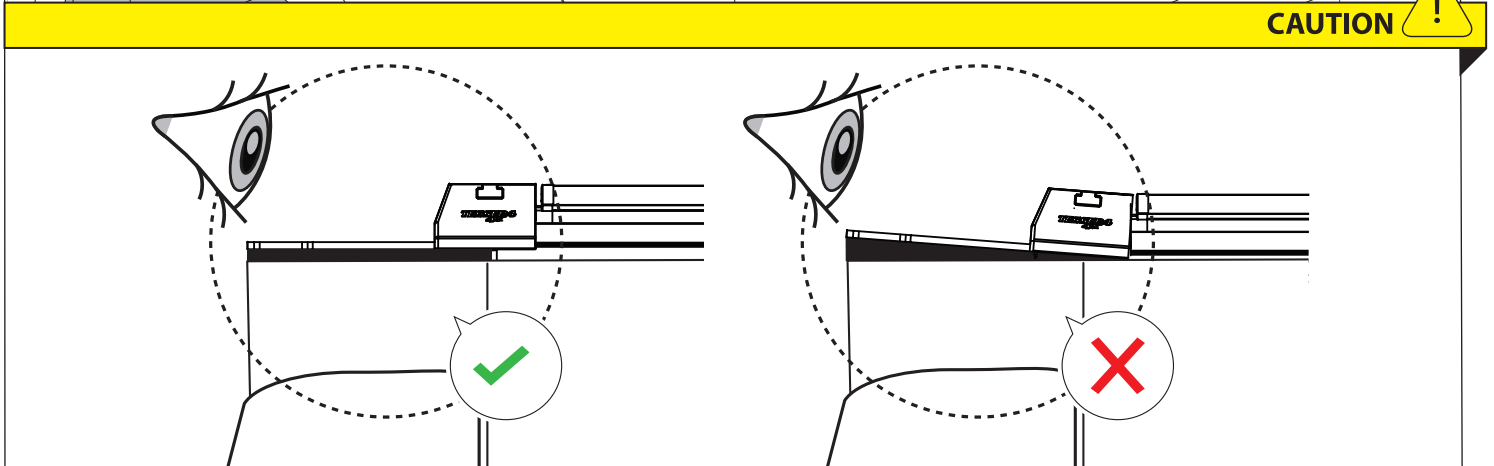
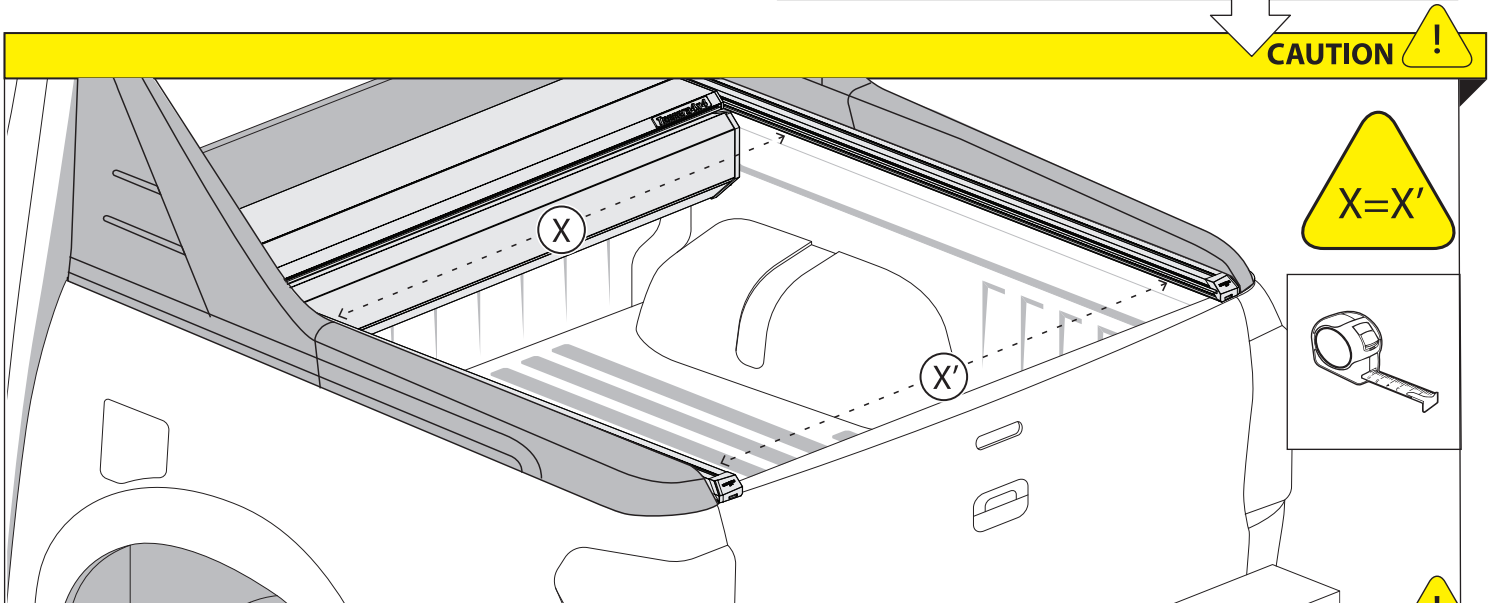
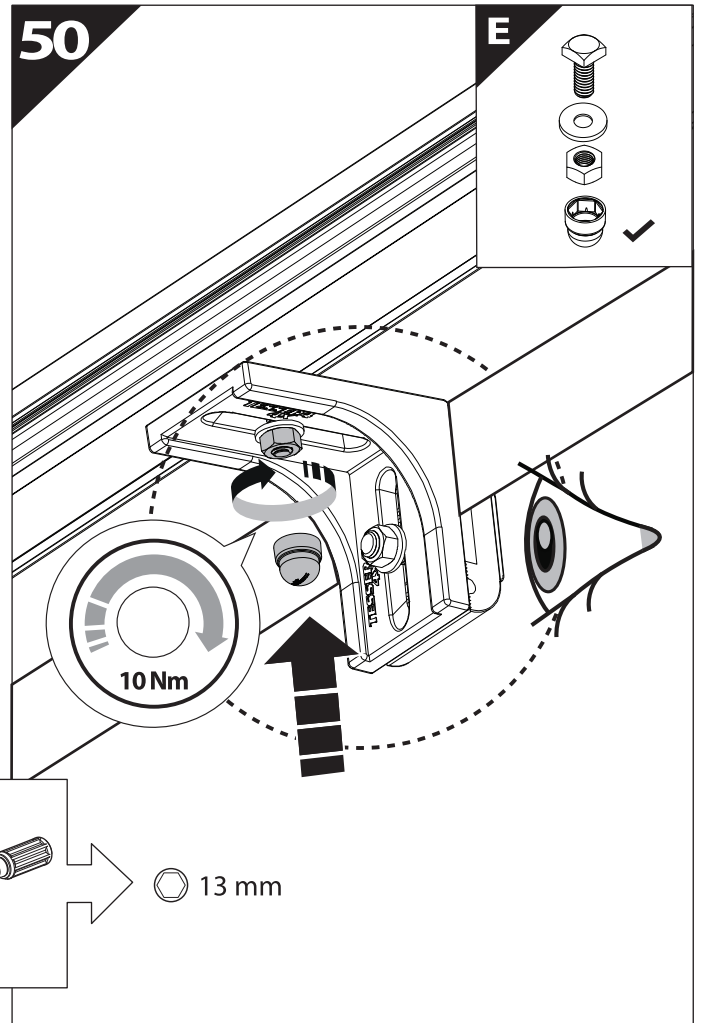
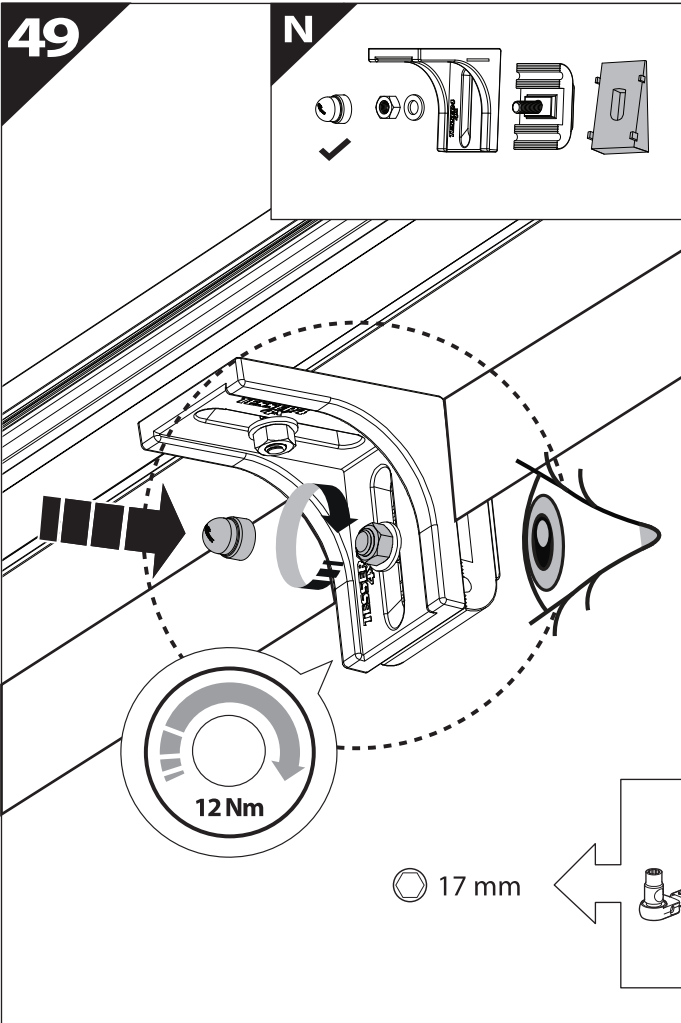


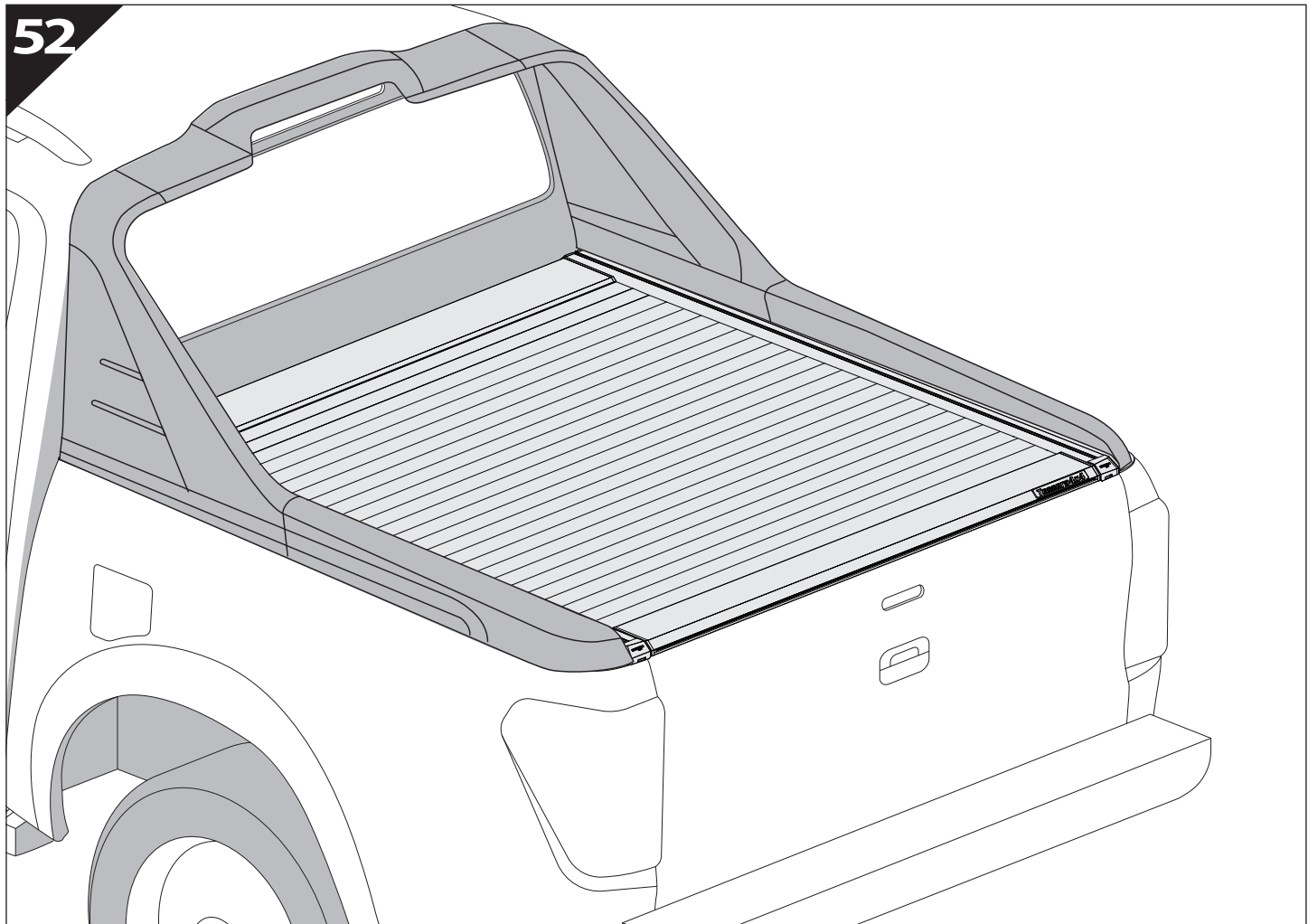
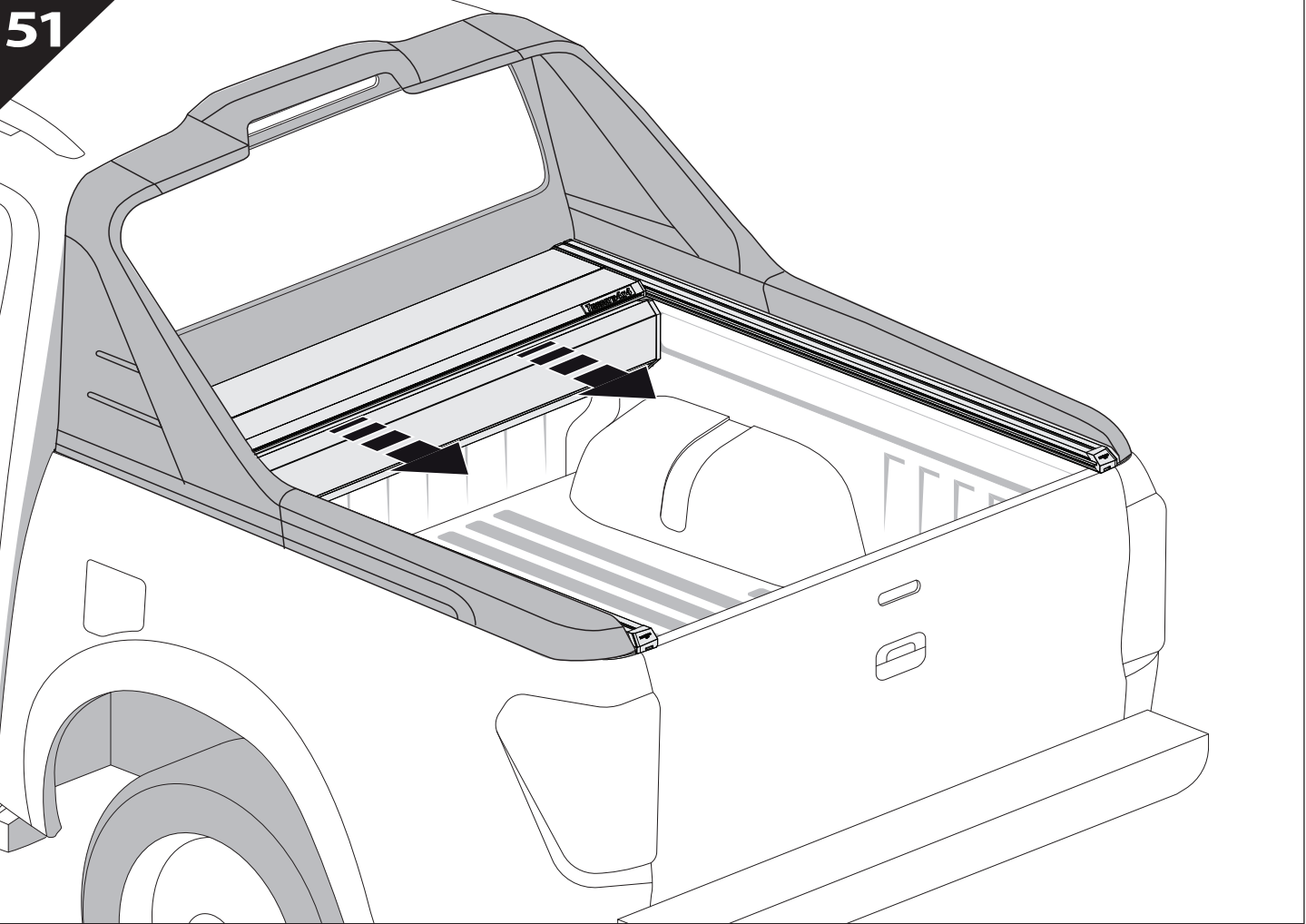
x4



48









GR: Οδηγίες Εγκατάστασης
GB: Installation manual
SF: Asennusohje
F: Notice de montage
PL: Instrukcja montażu
NL: Installatie-instructies
TR: Montaj Talimatı
S: Monteringsanvisning
E: Instrucciones de montaje

H: Szerelési utasítás
P: Instruções de instalação
RUS: Инструкция по установке
N: Monteringsveiledning
D: Einbauanleitung
CZ: Návod k instalaci
I: Istruzioni de montaggio
DK: Monteringsvejledning
RO: Instructiuni de instalare

Customer Service:

+30 (210) 5541161, +30 (210) 5541154 (08:00 - 16:00 EET)

Support department:

info@gianso.gr

Website:

www.tessera4x4.com

Address:

19.5 km of National road Athens-Korinthos (Elefsina) Greece, P.C: 19200