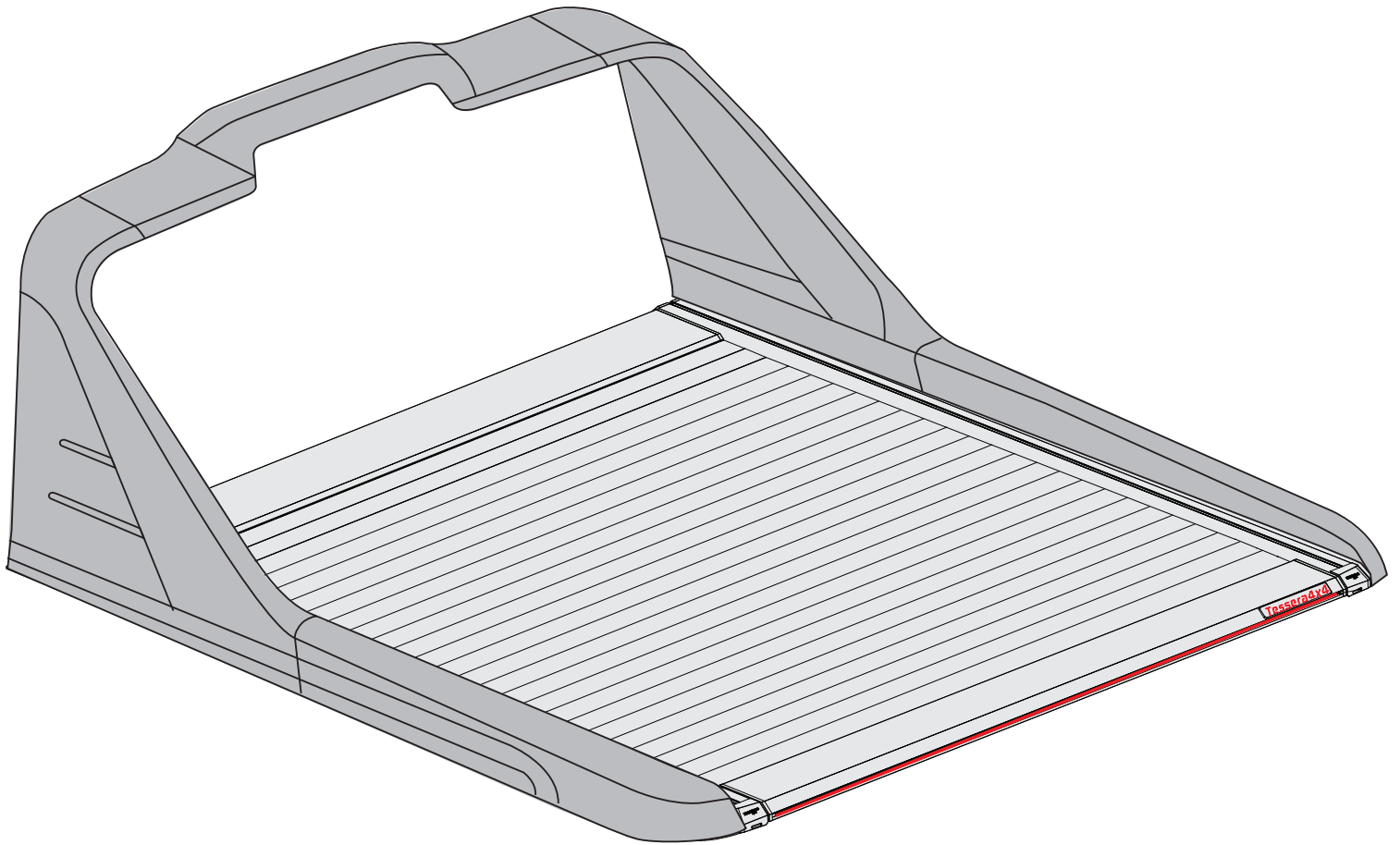


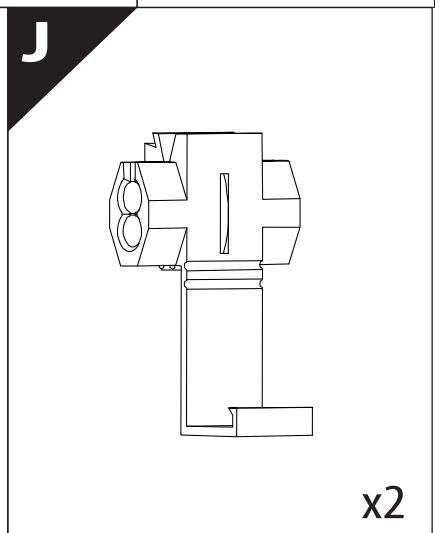
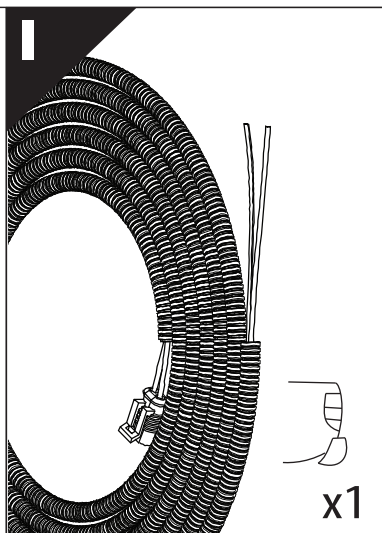
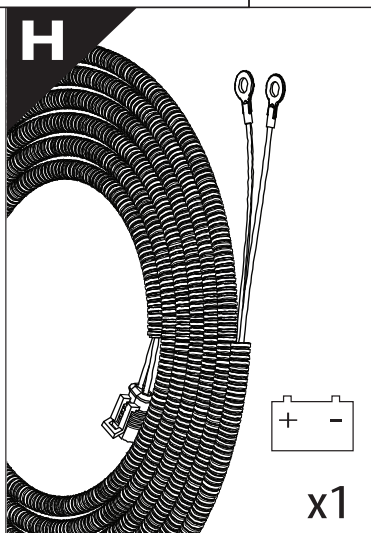
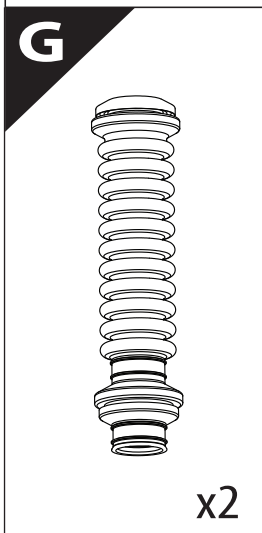
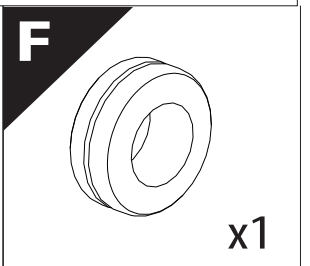
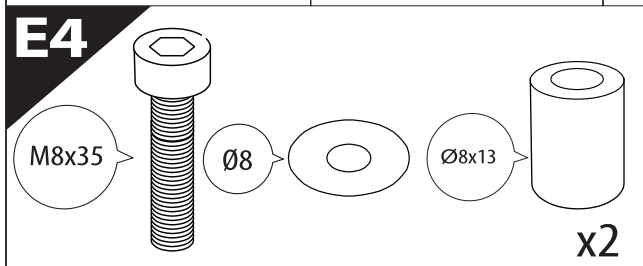
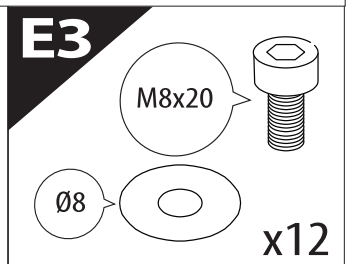
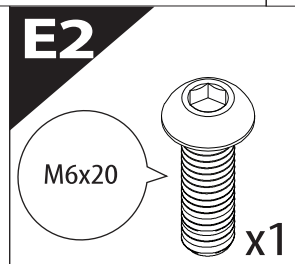
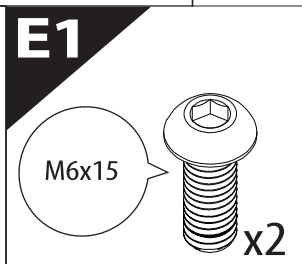
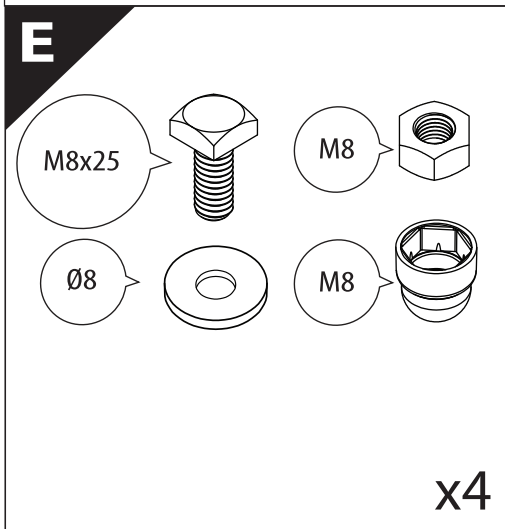
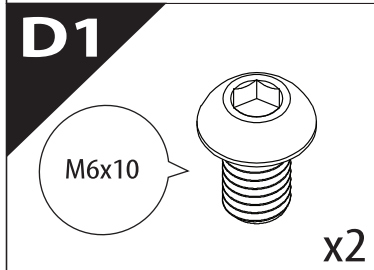
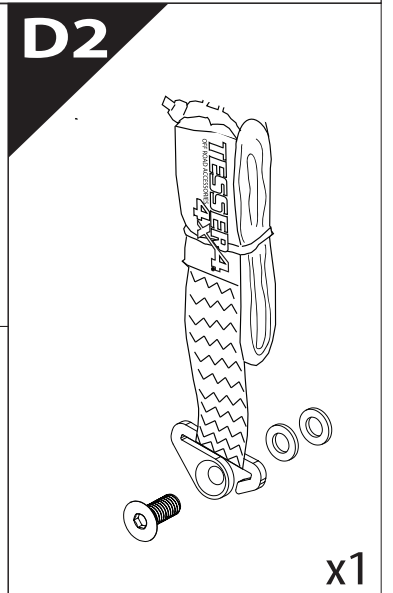
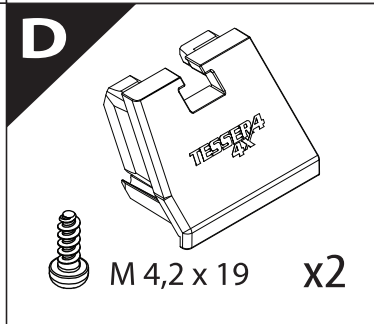
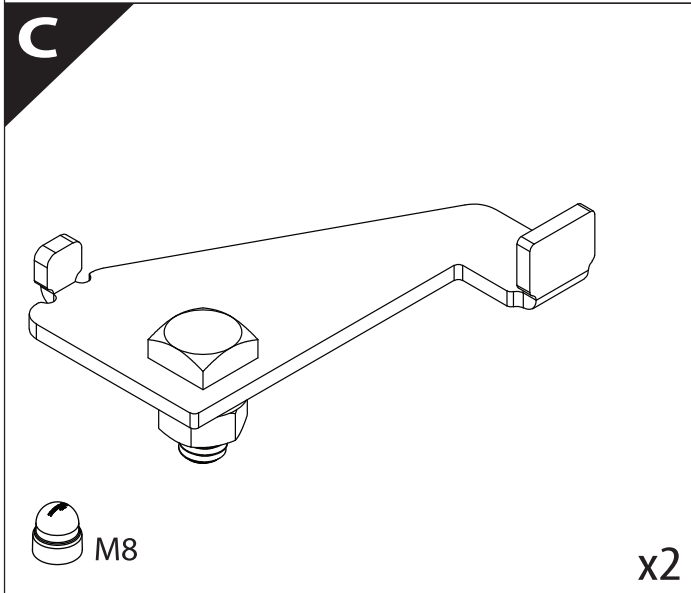
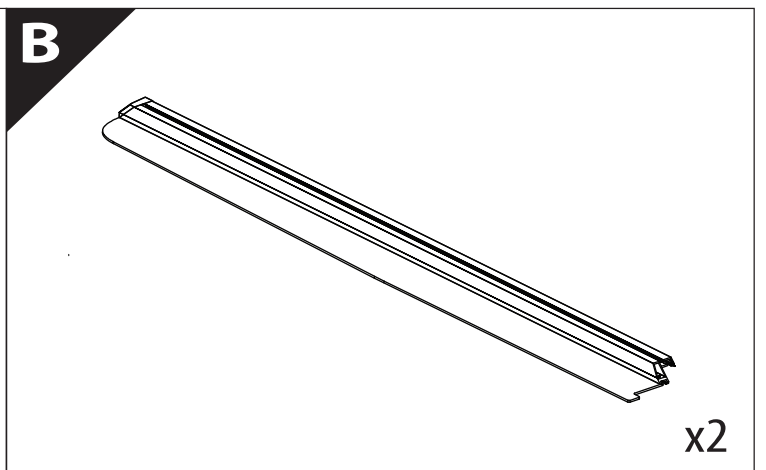
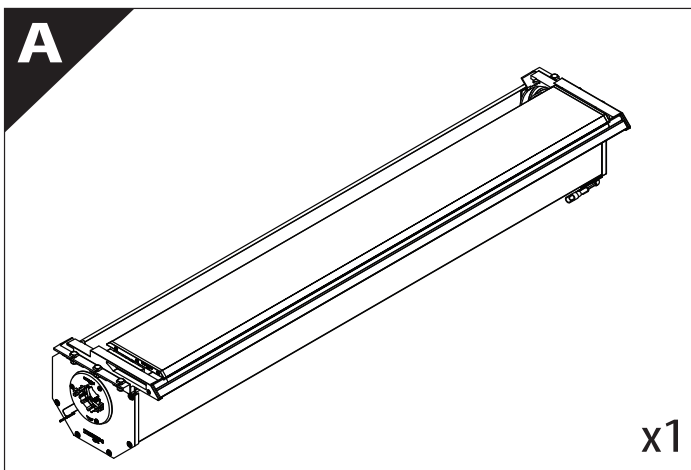
Tessera Roll+

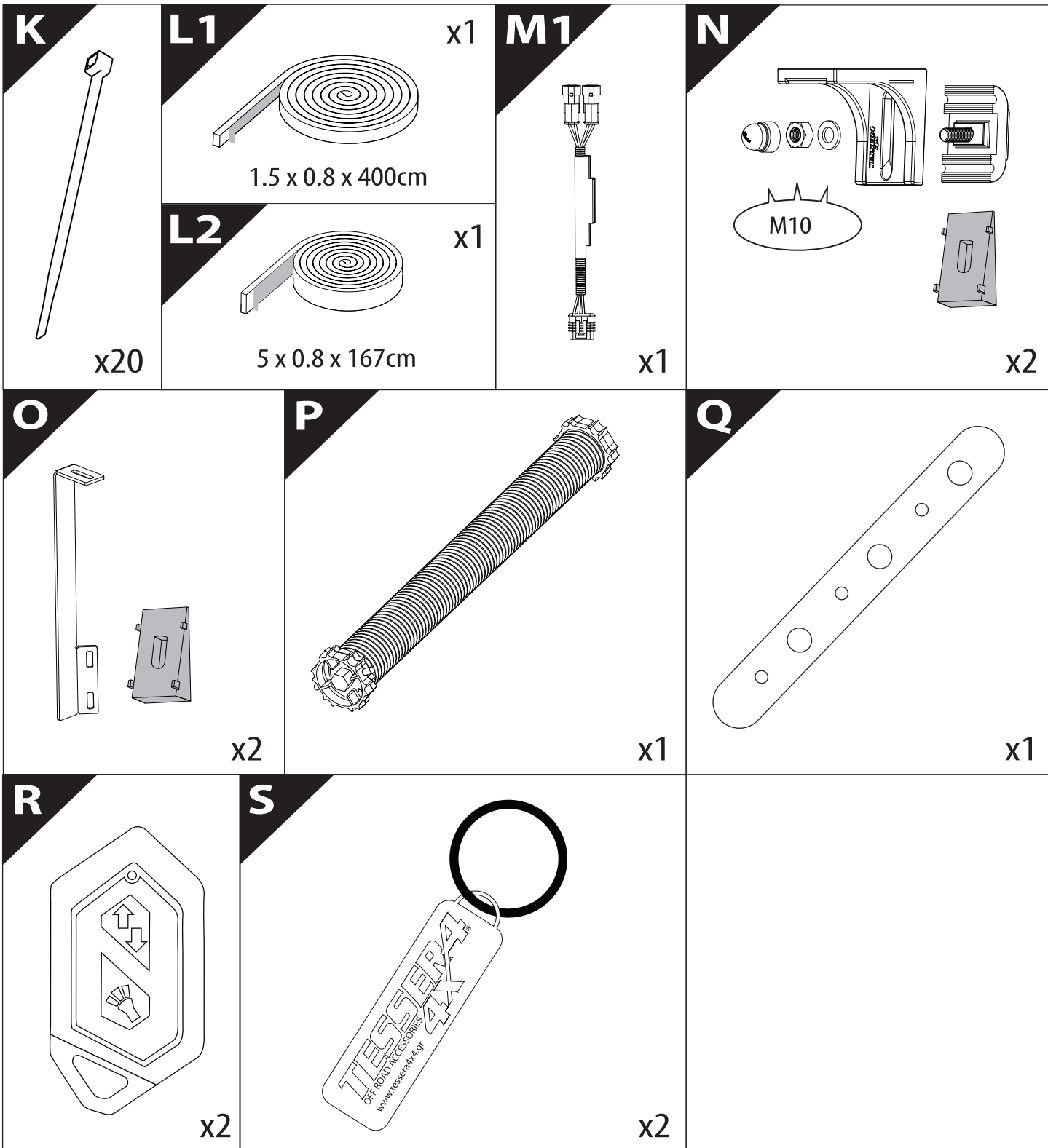
Basic Version + ⚙️ S-KIT

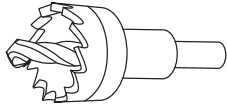


Installation Manual

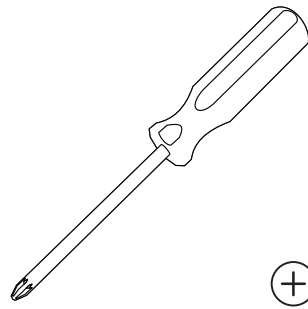
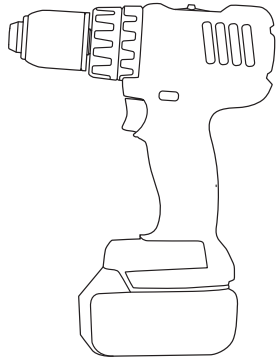
PART NUMBER(S)	Model Year
TESS 140411 ROLL+S-KIT	ISUZU DMAX 2021+ OEM ROLL BAR
Cab(s)	Installation Time / Weight
Double Cab	40-60 minutes / 53-57 kg



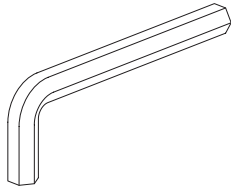
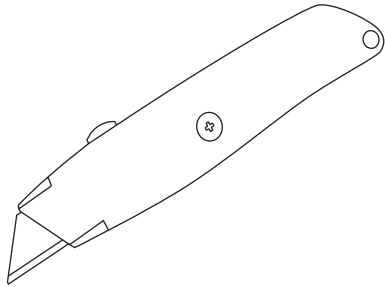
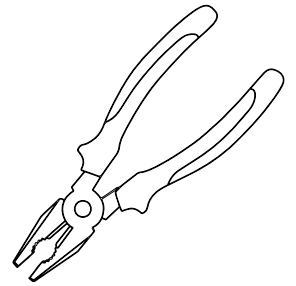




Ø 25 mm / Ø 40 mm

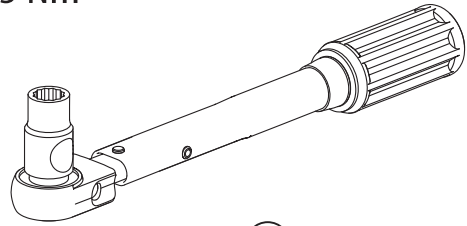


+

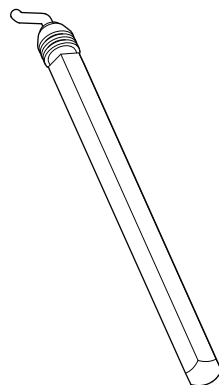
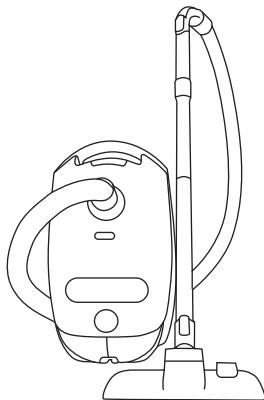
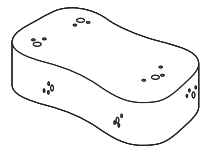
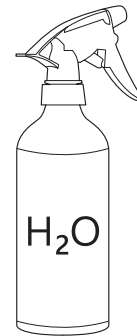
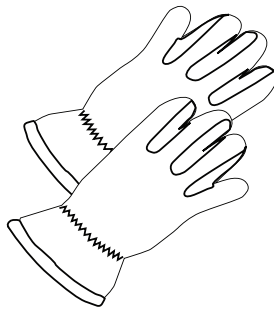
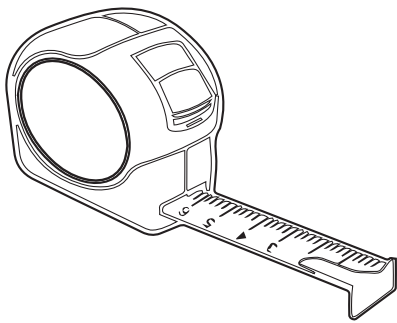


4 mm

1 - 25 Nm



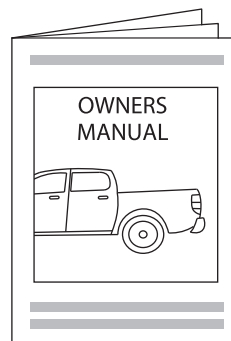
12, 13, 17 mm



ANTI-RUST



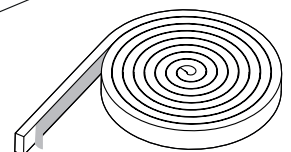
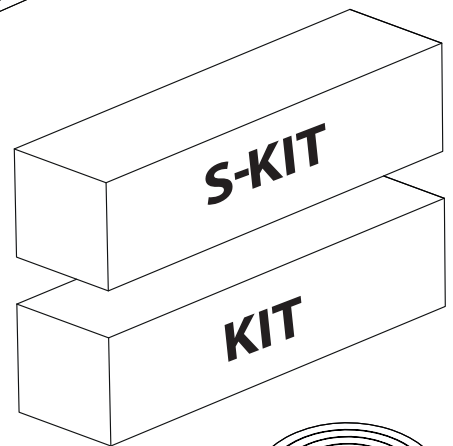
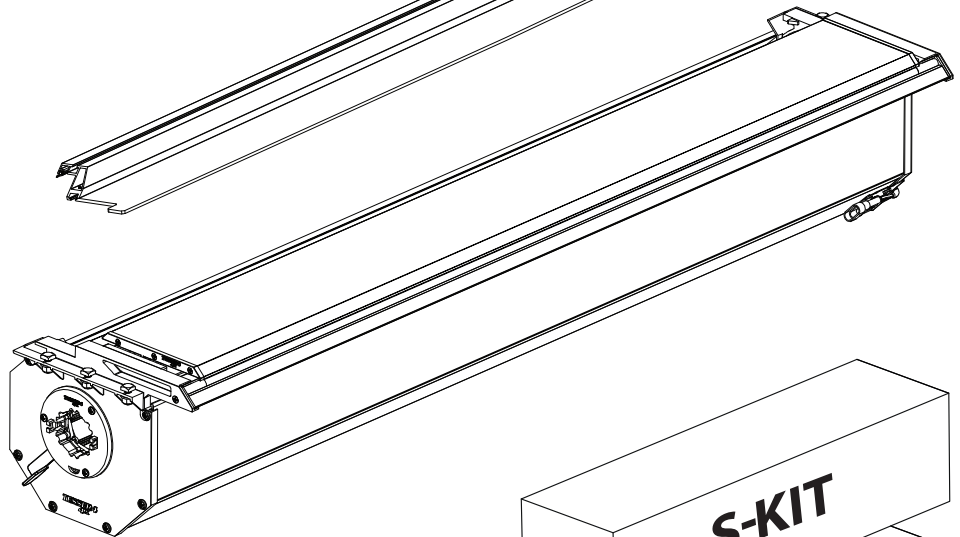
INSTALLATION
MANUAL
+S-KIT



OWNERS
MANUAL



x1

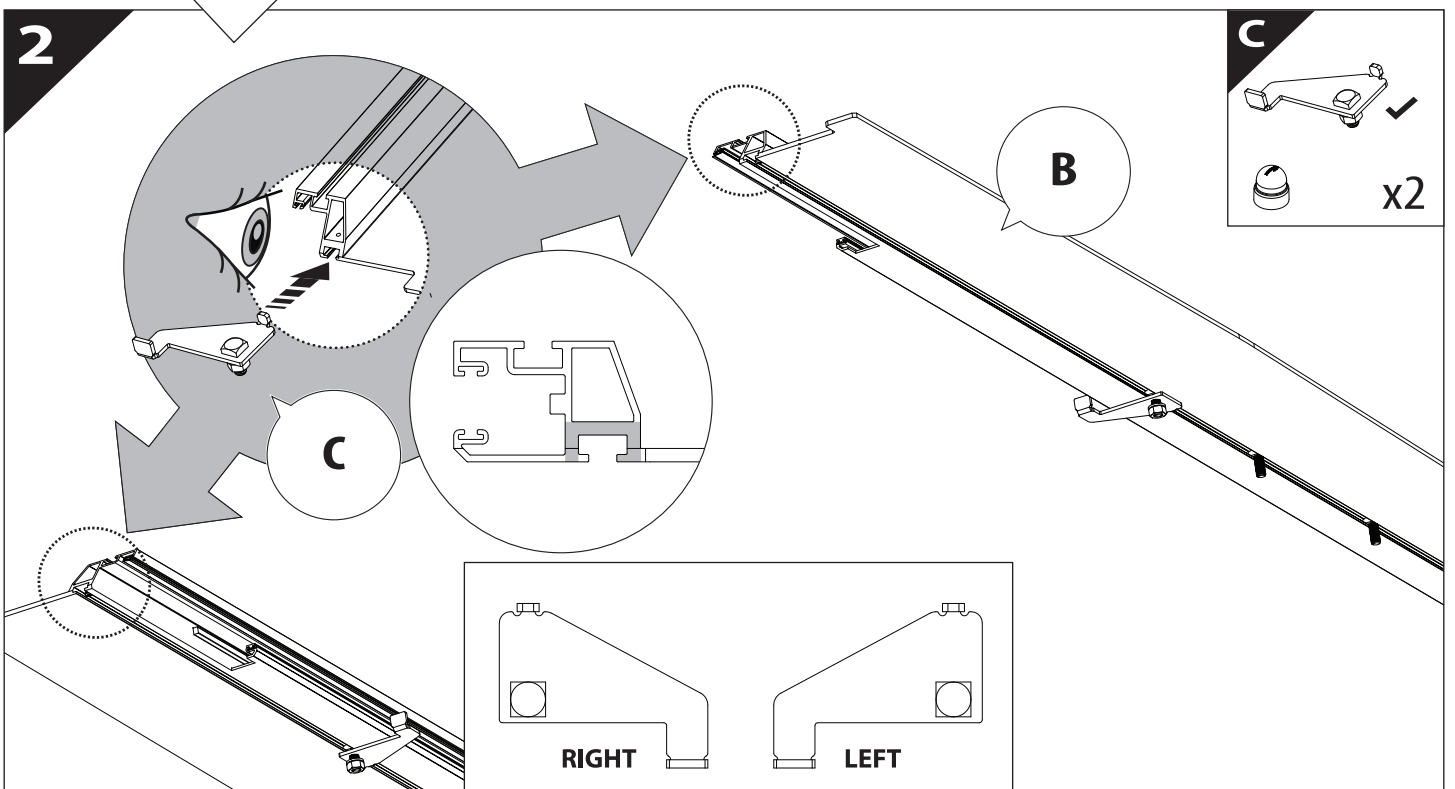
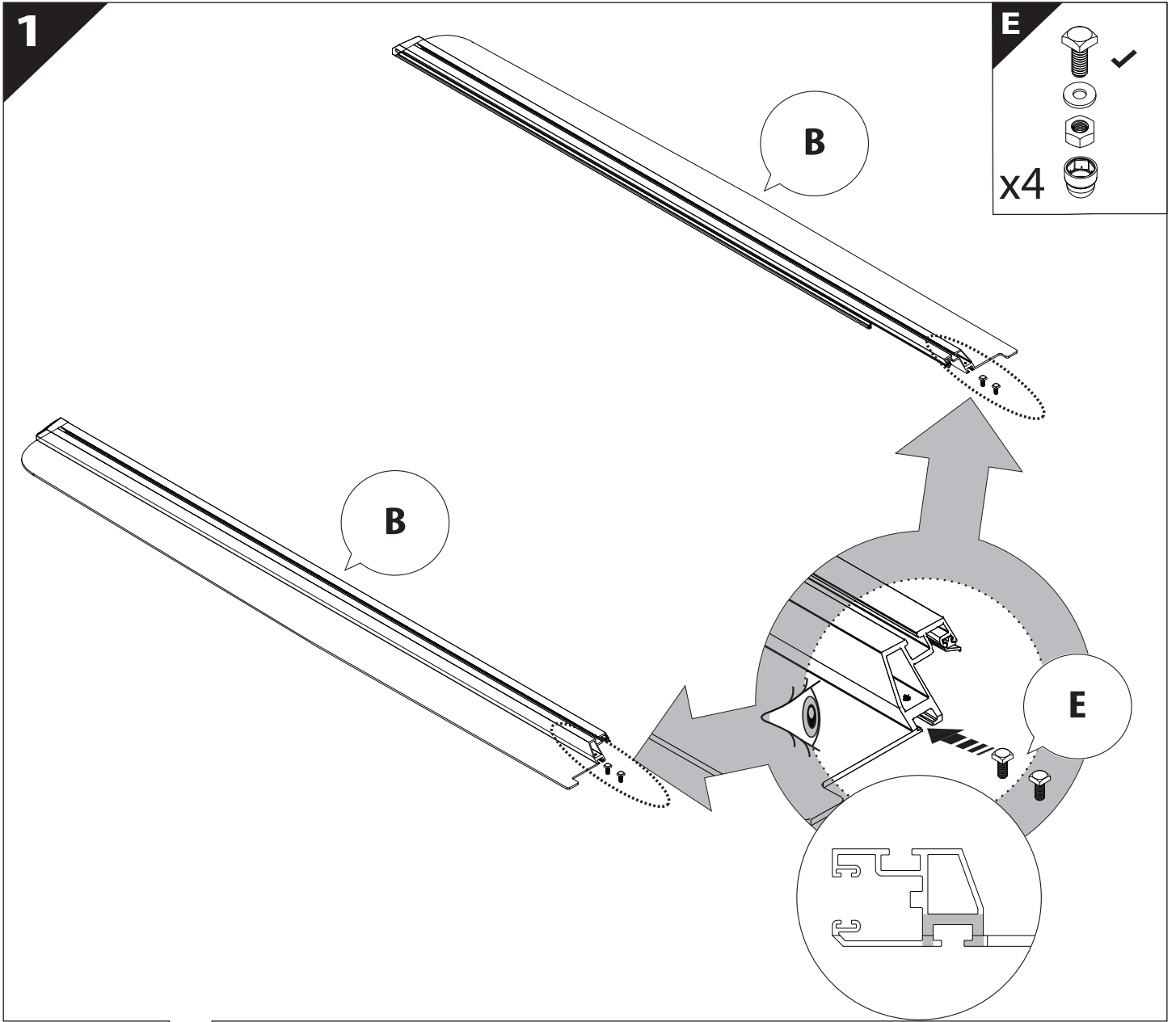


B

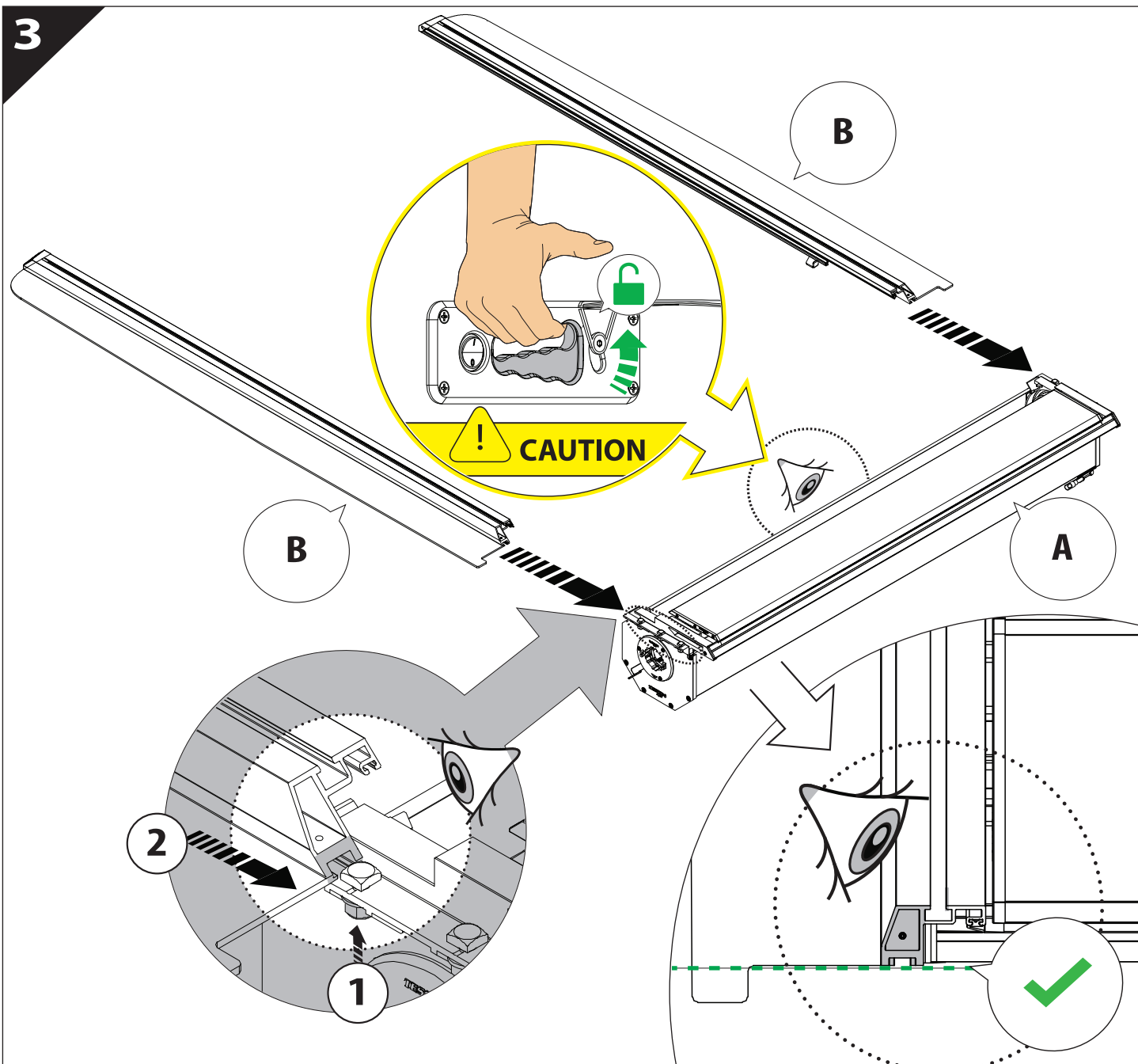
A

KITS

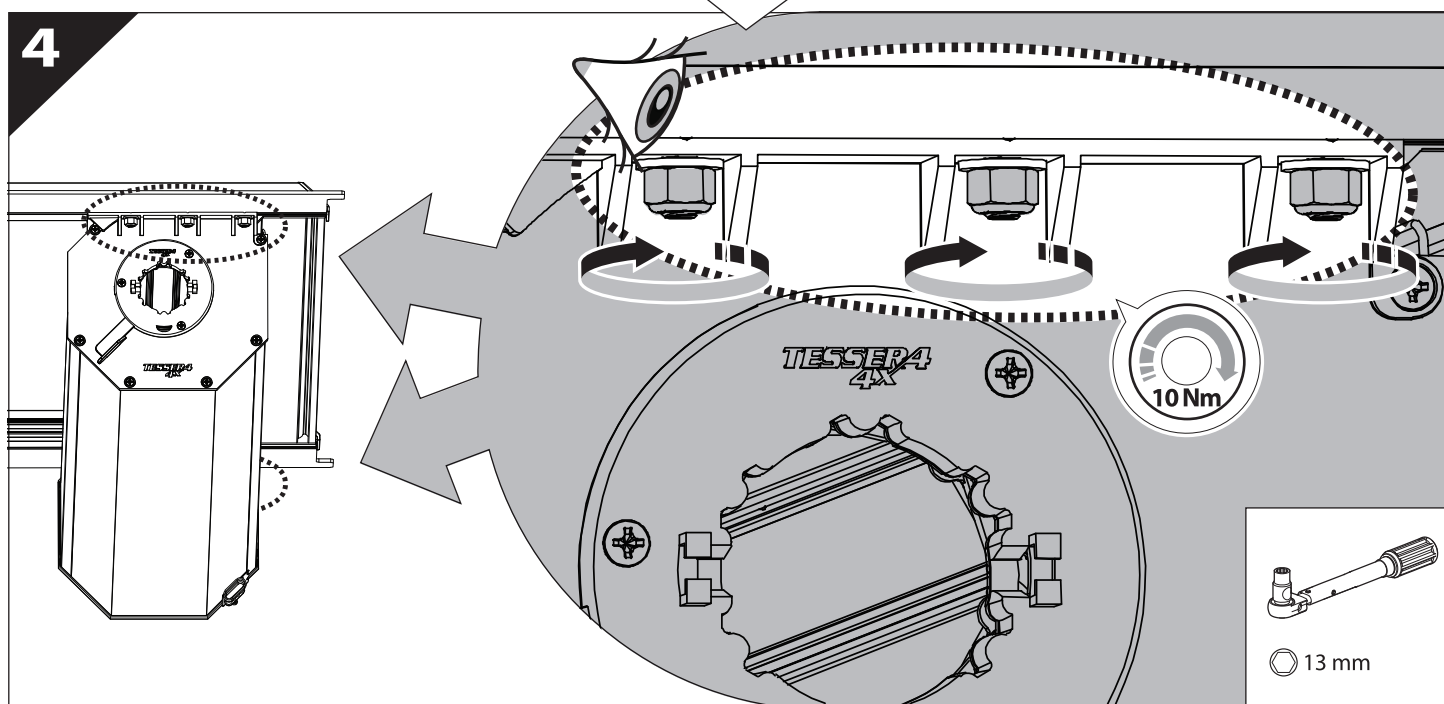
L

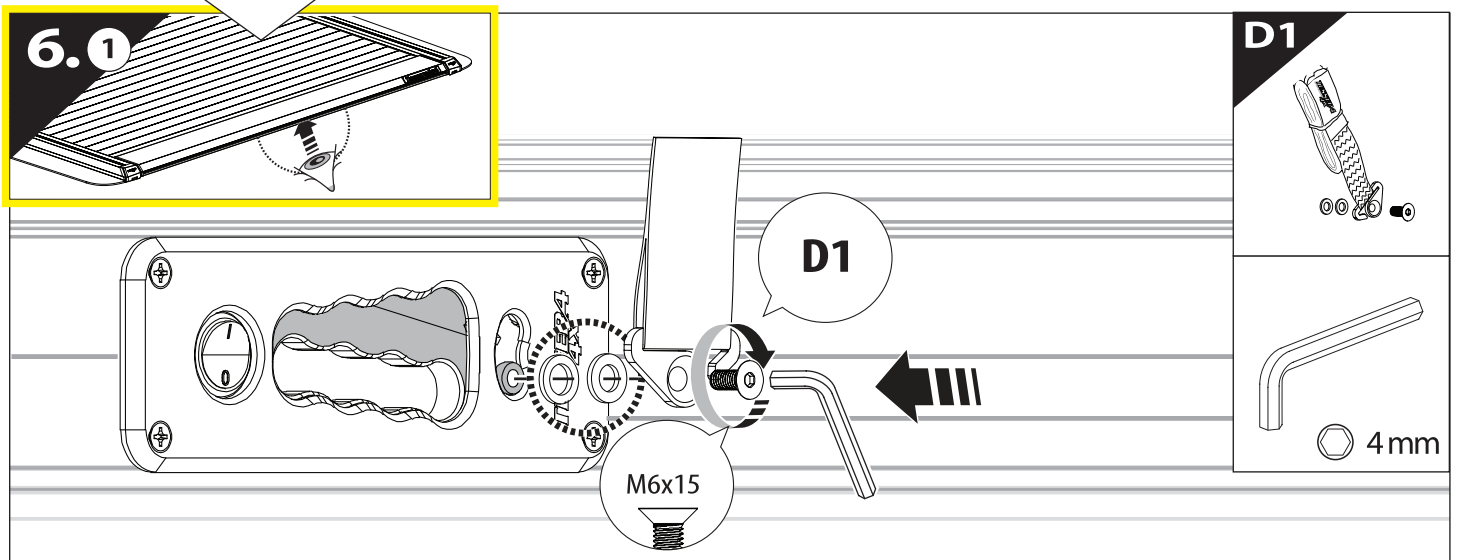
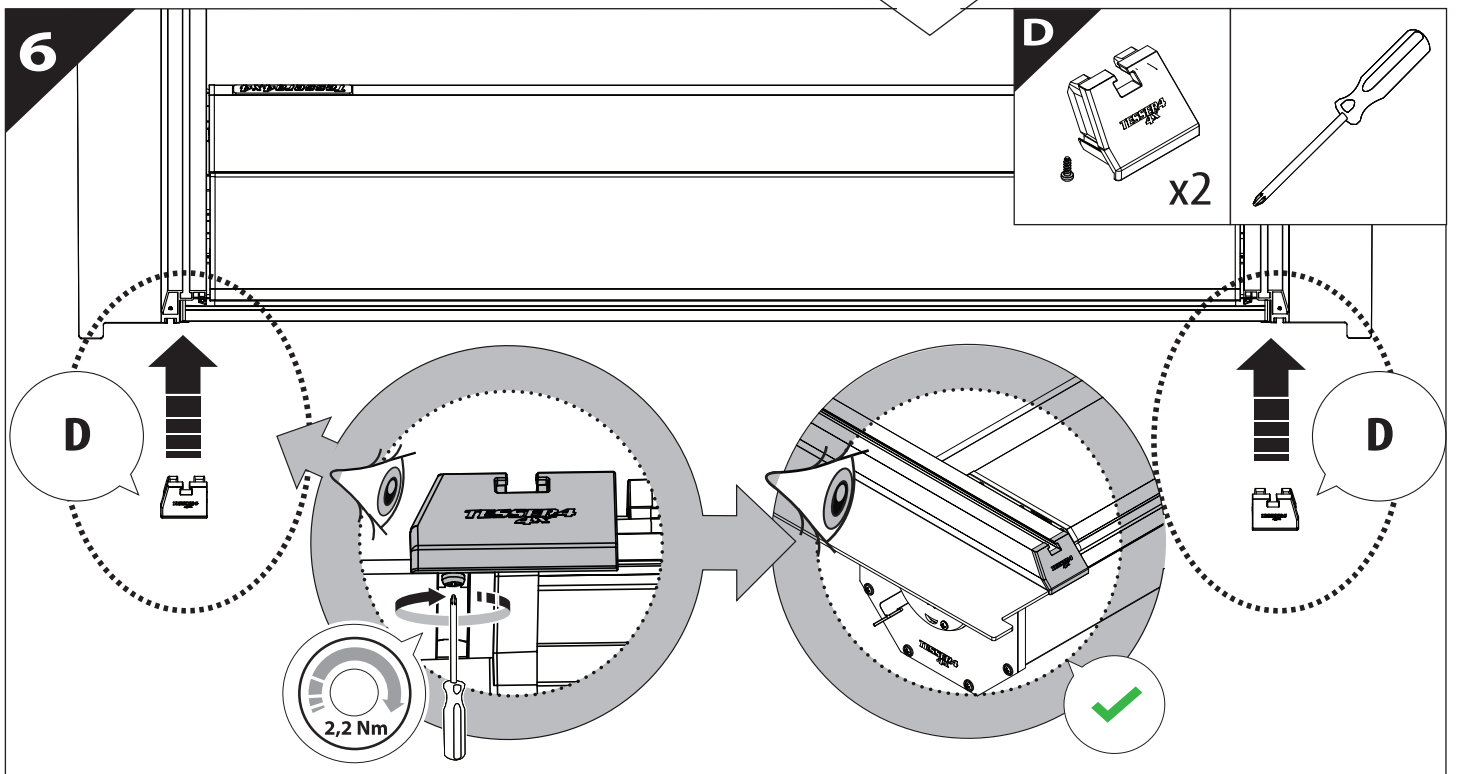
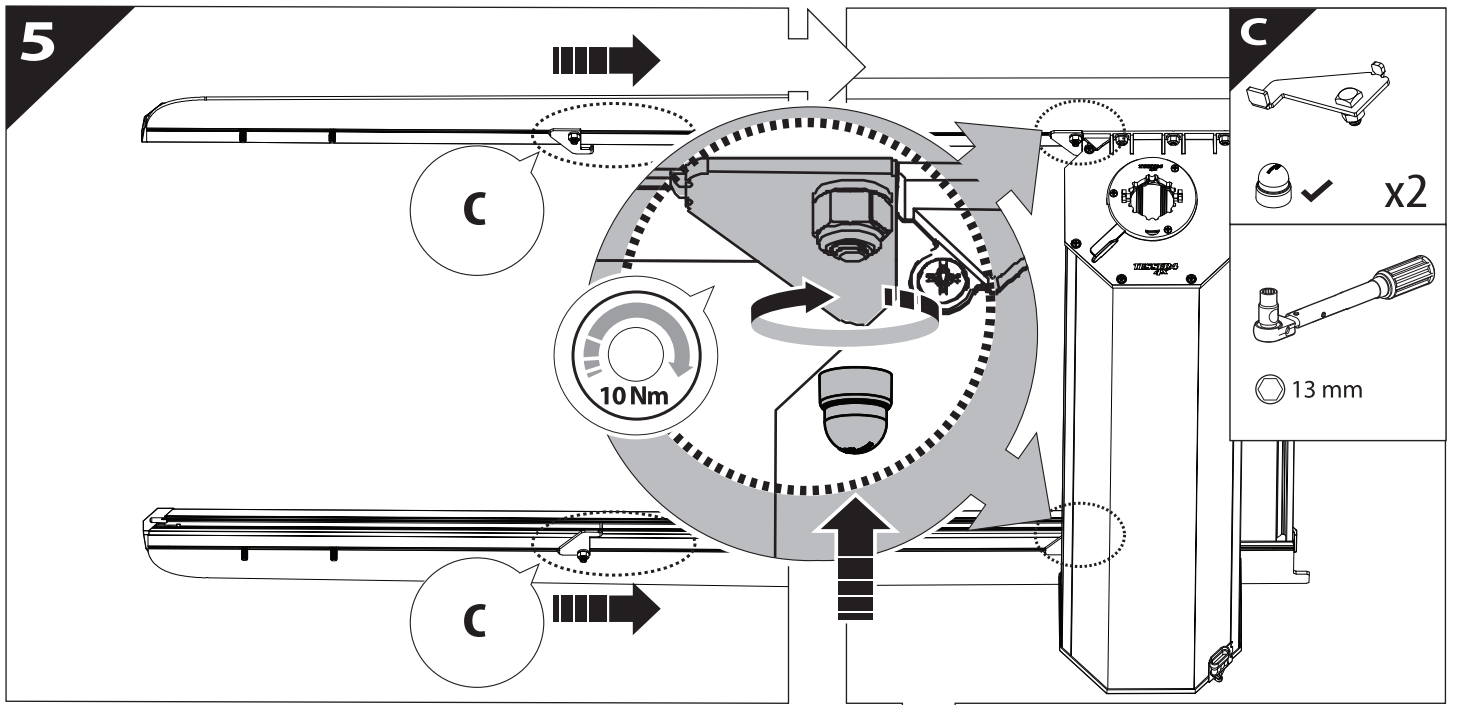


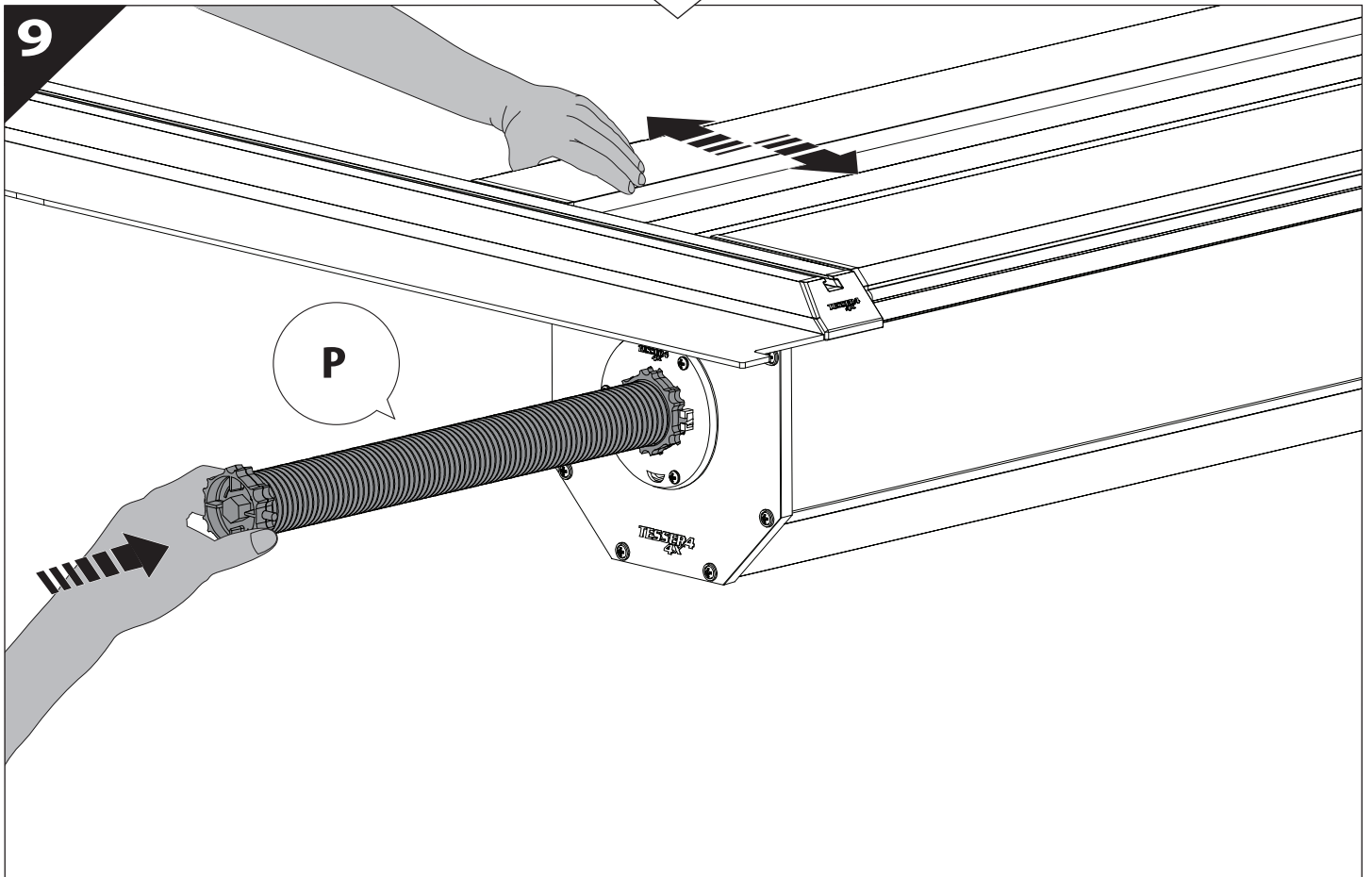
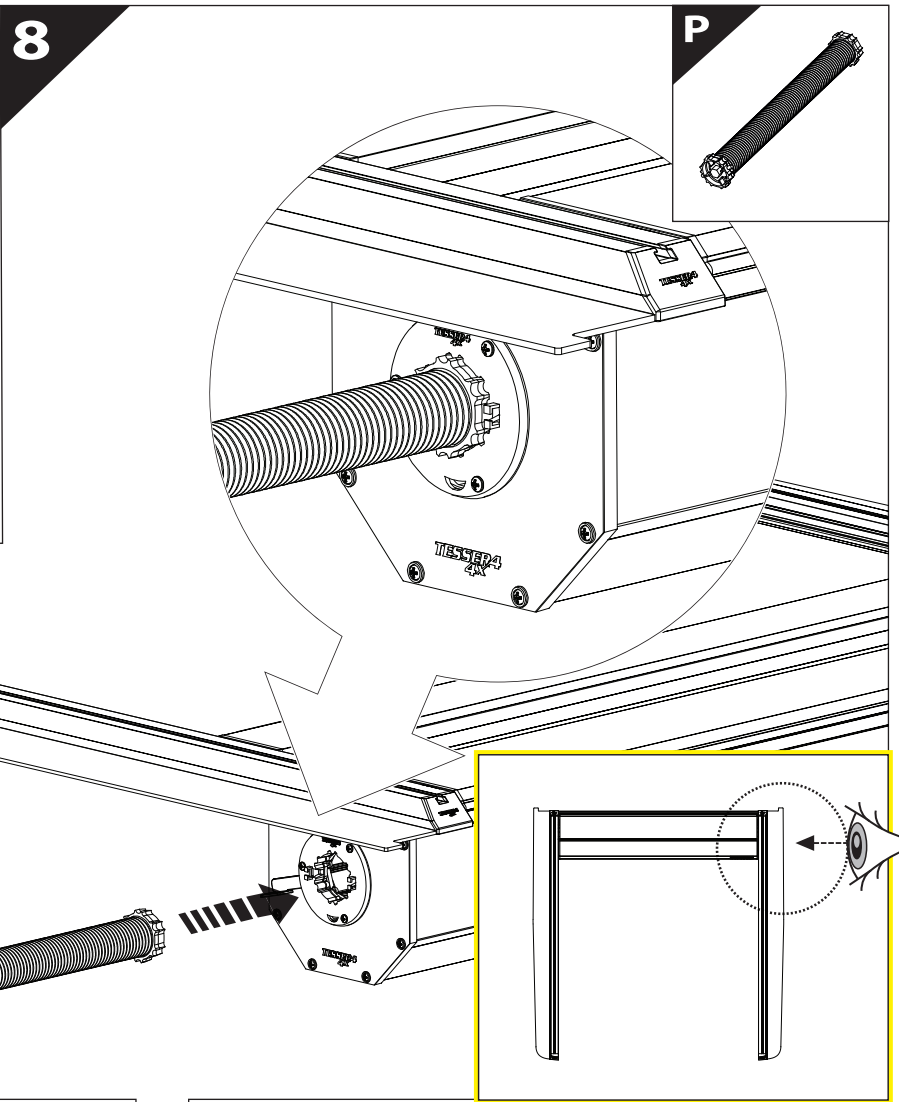
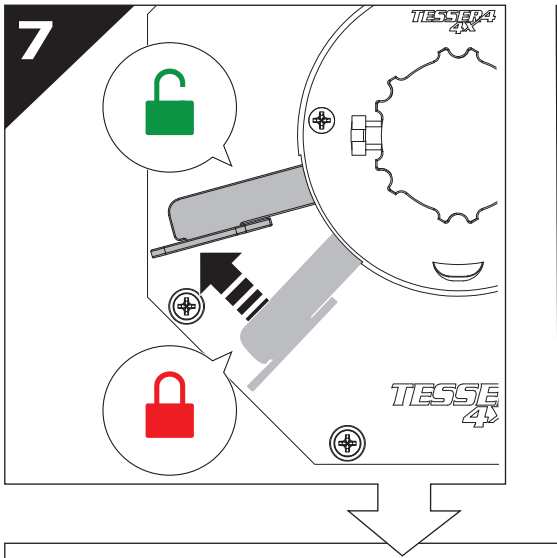
3

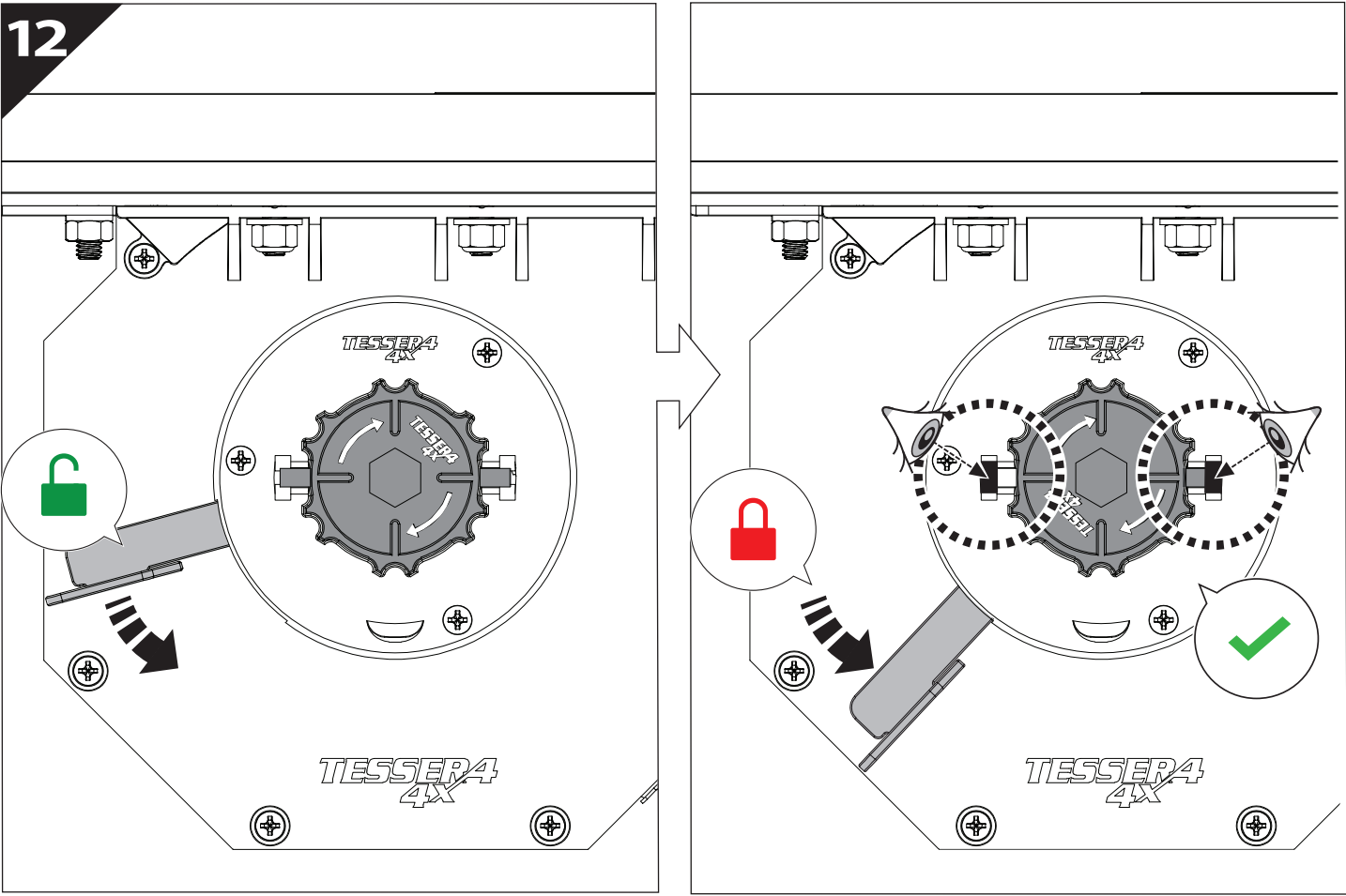
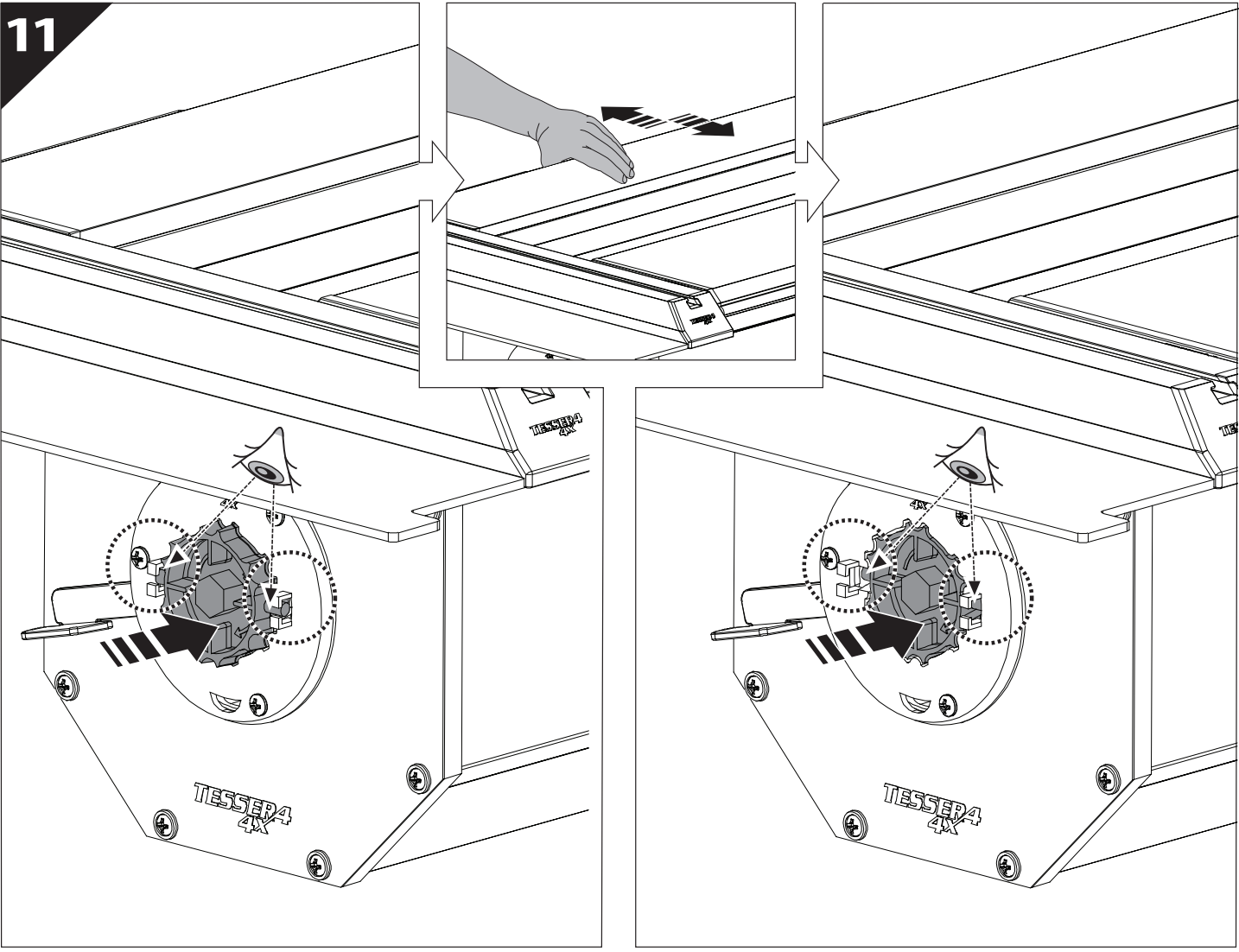


4

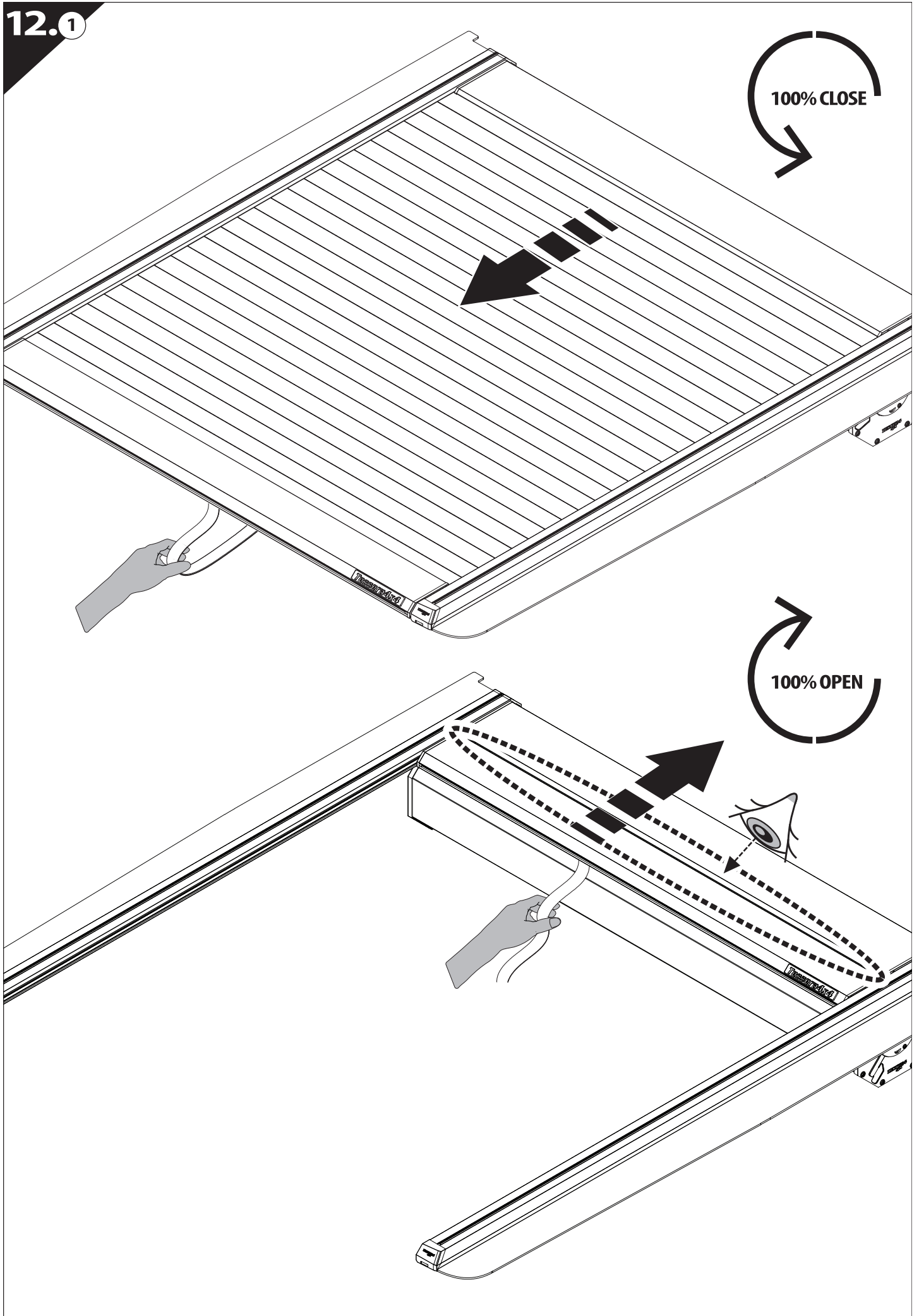




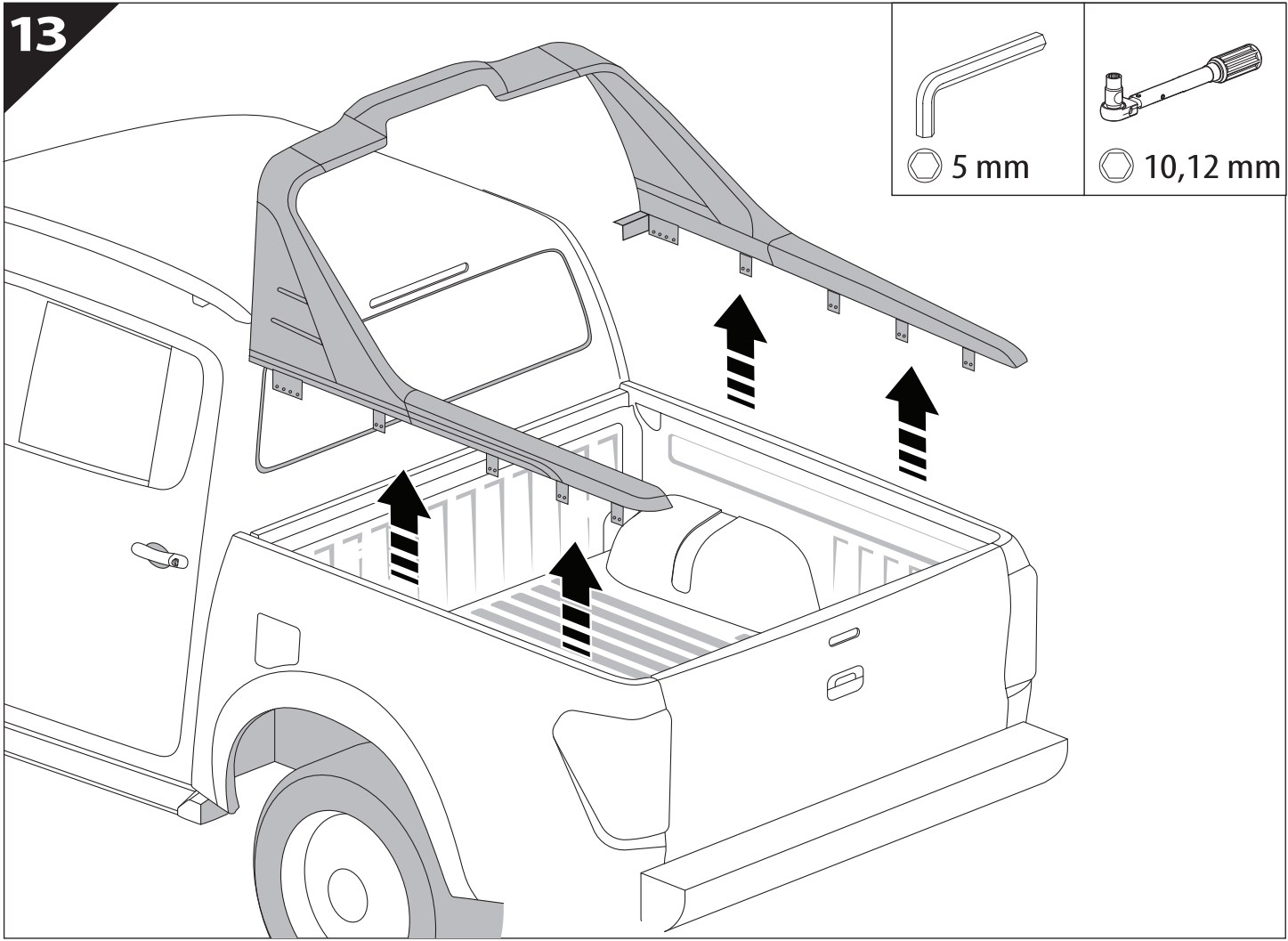




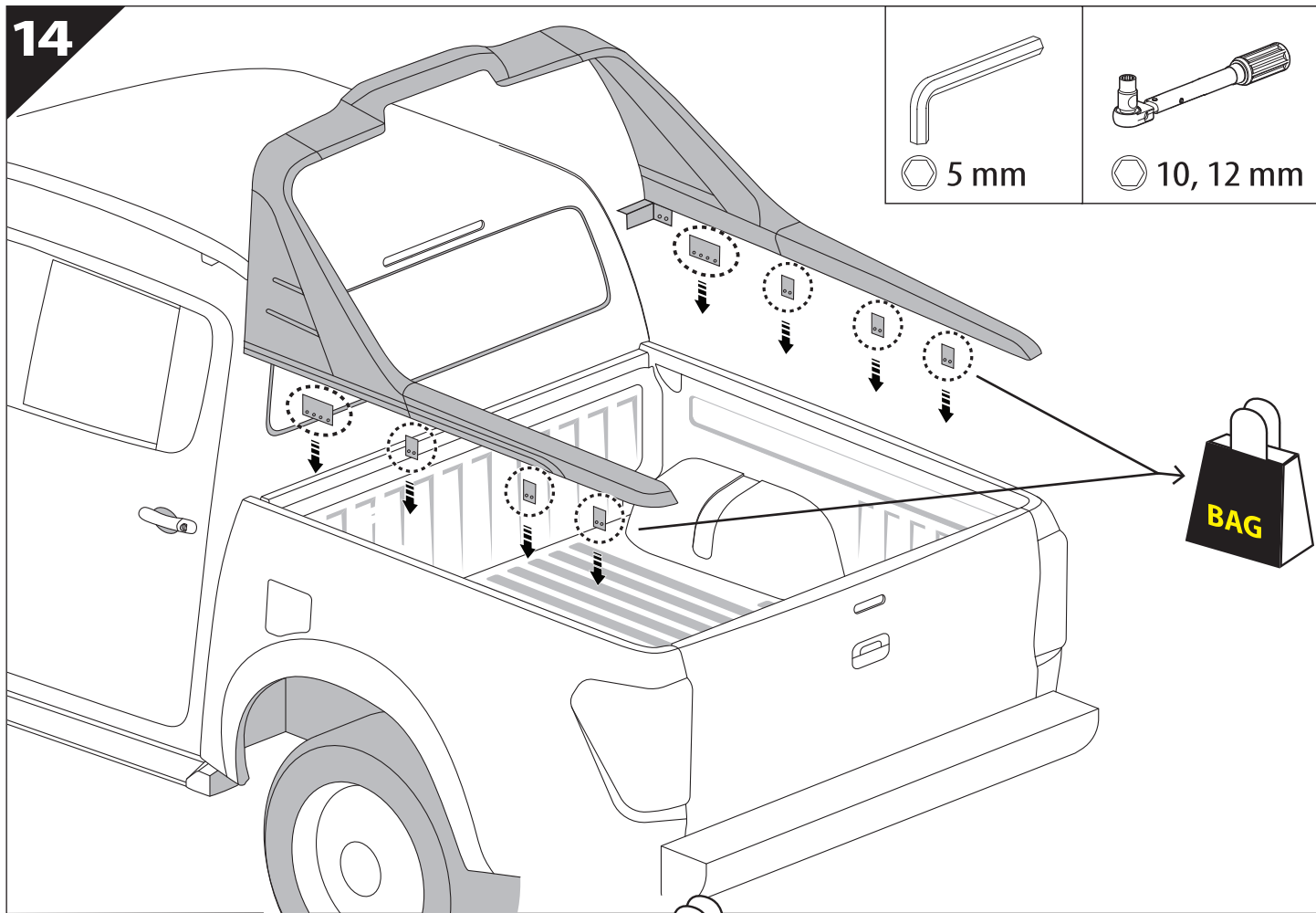
12.0



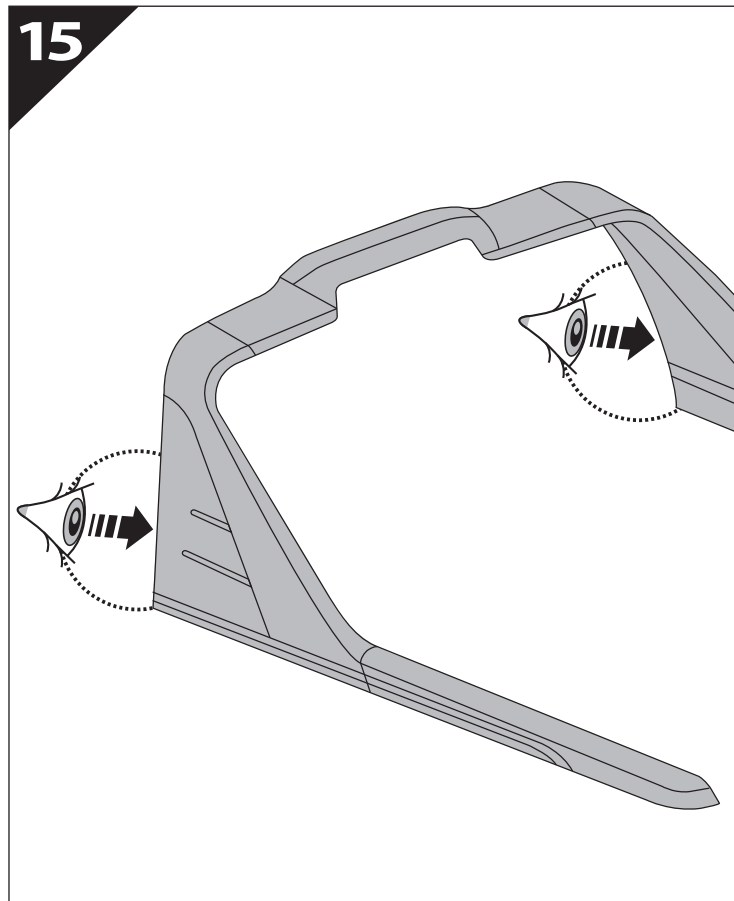
13



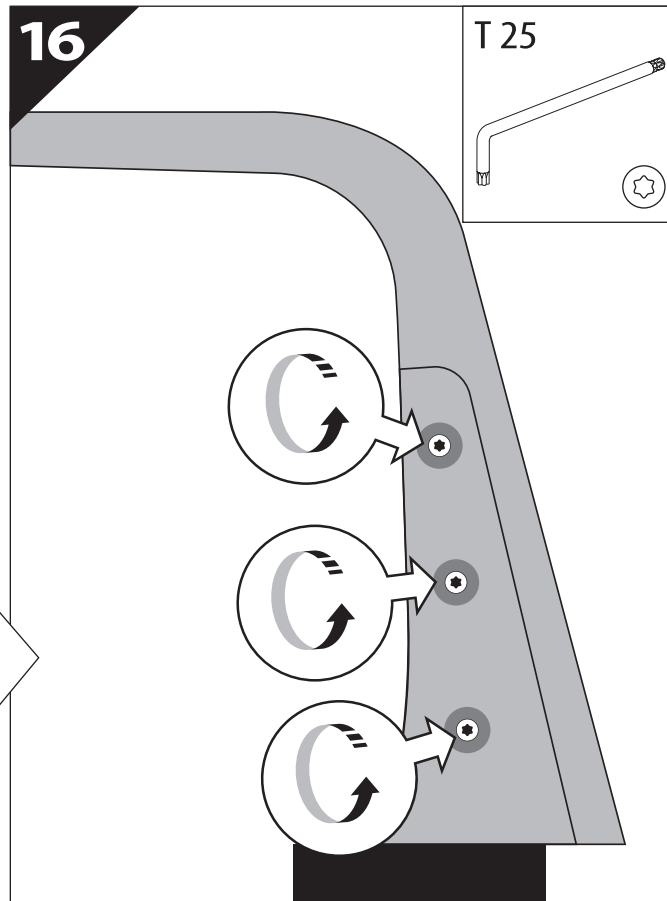
14

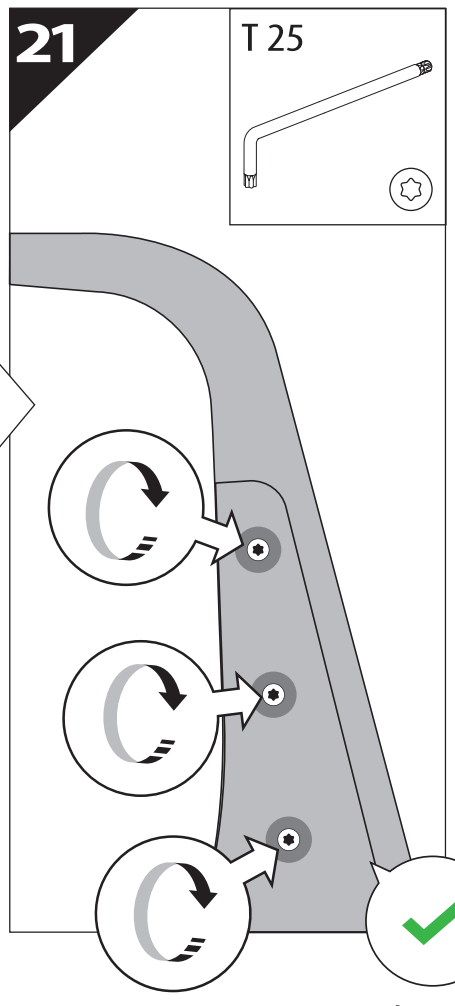
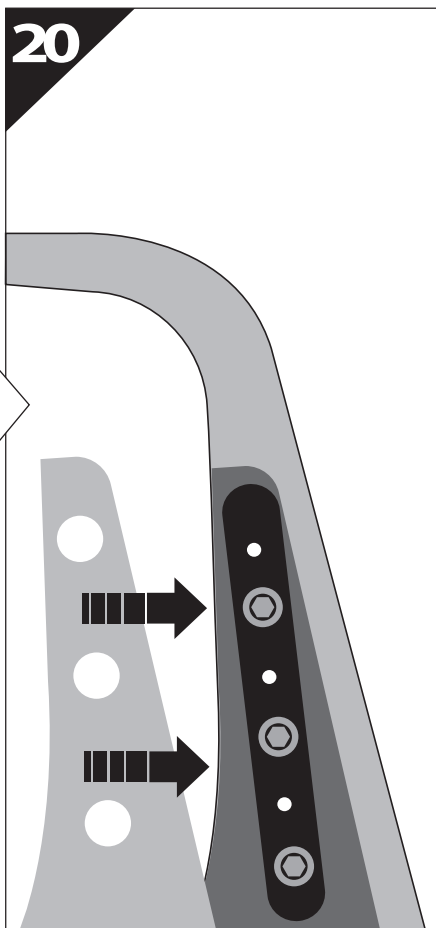
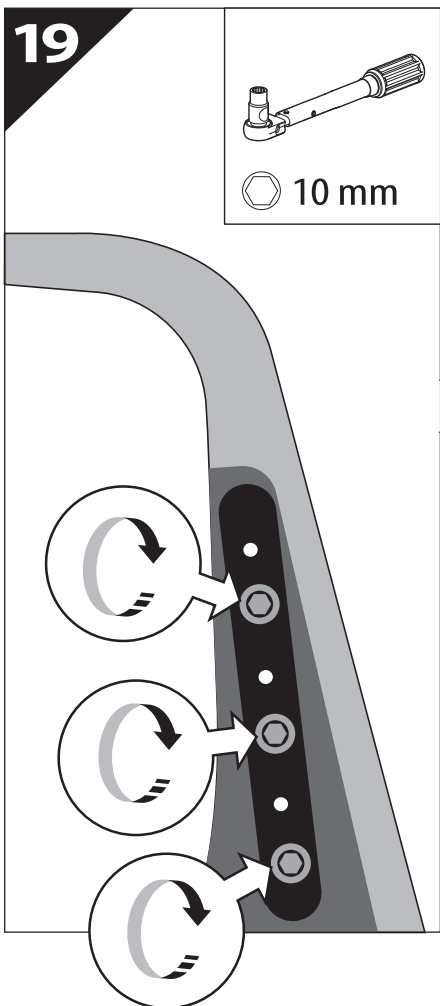
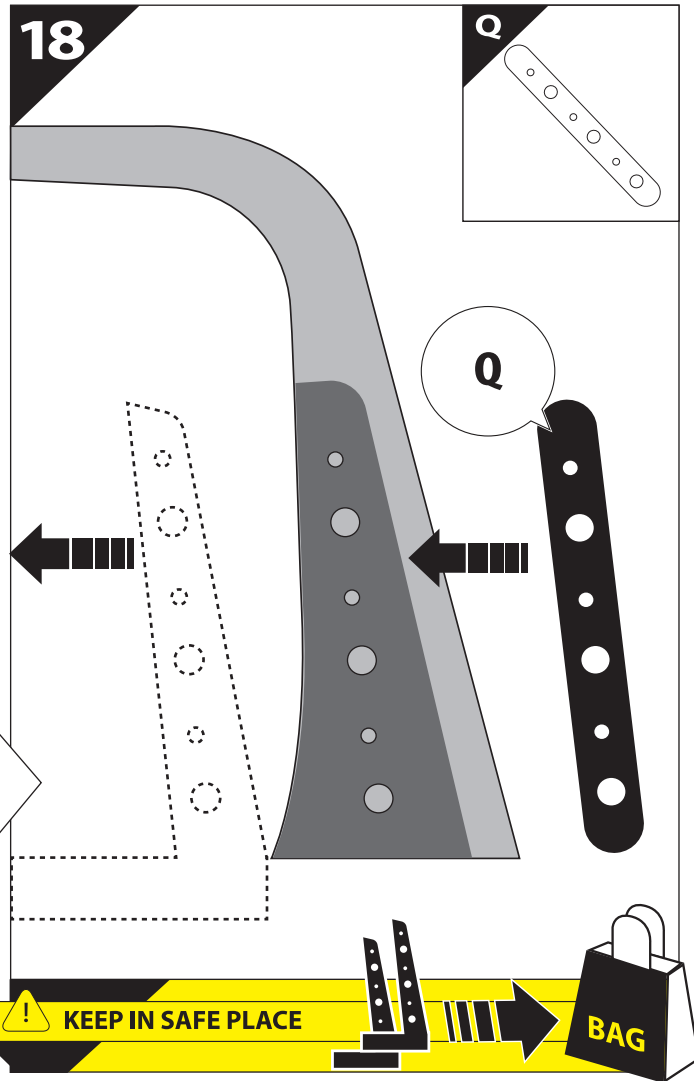
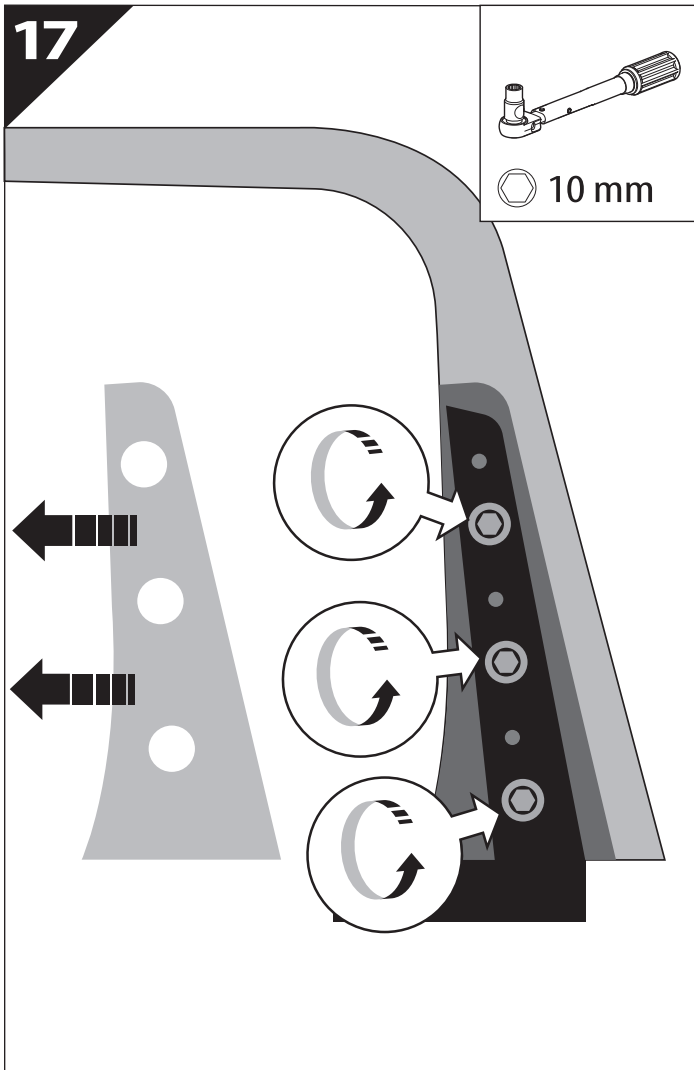


15

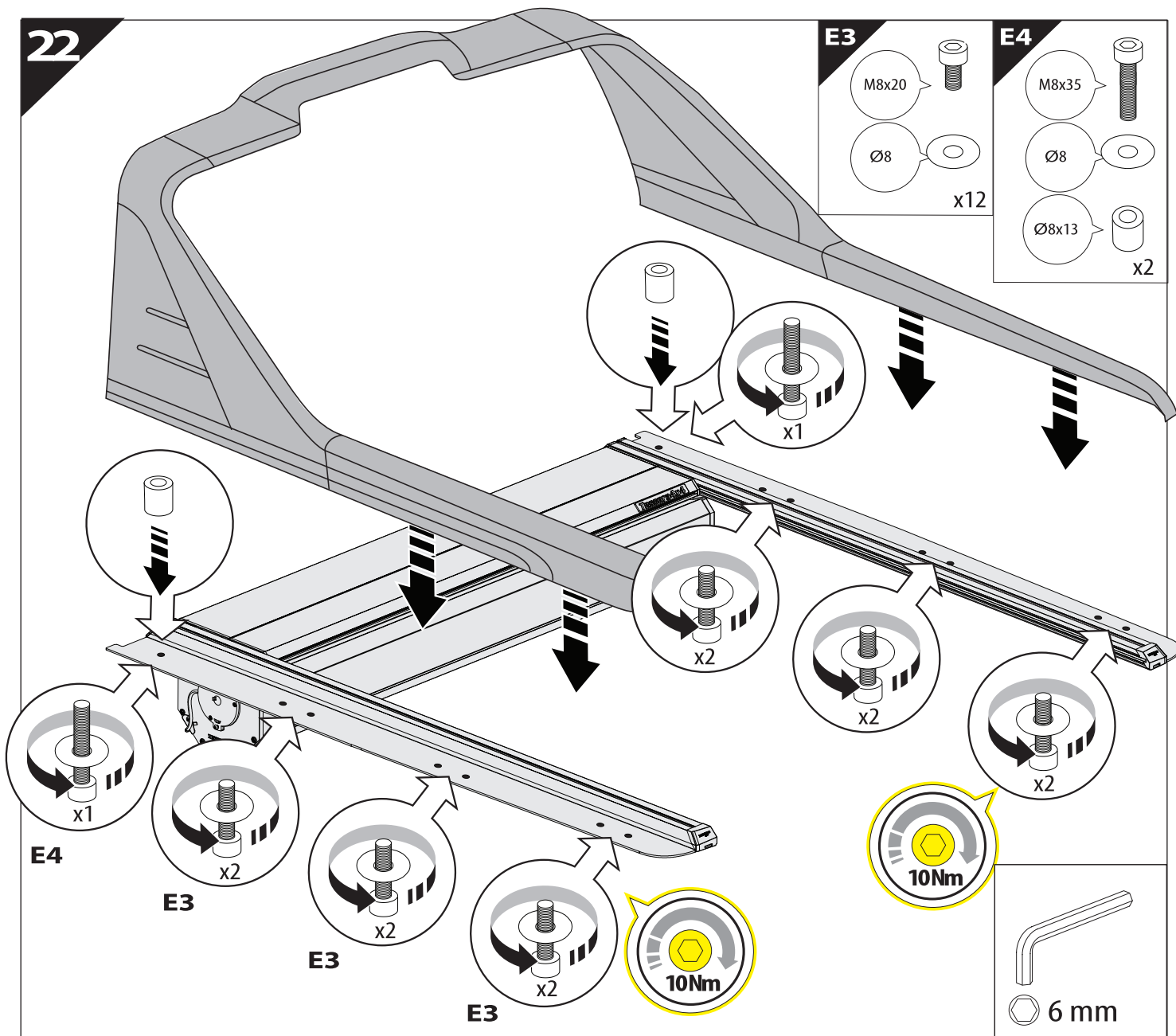


16

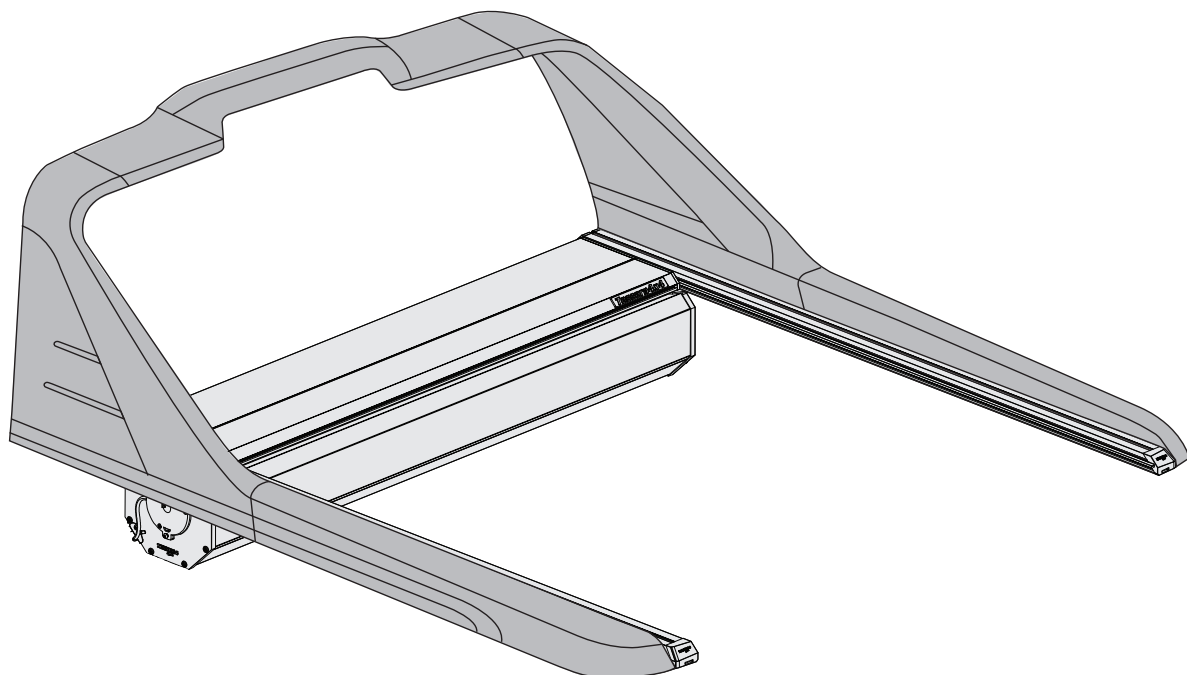




22

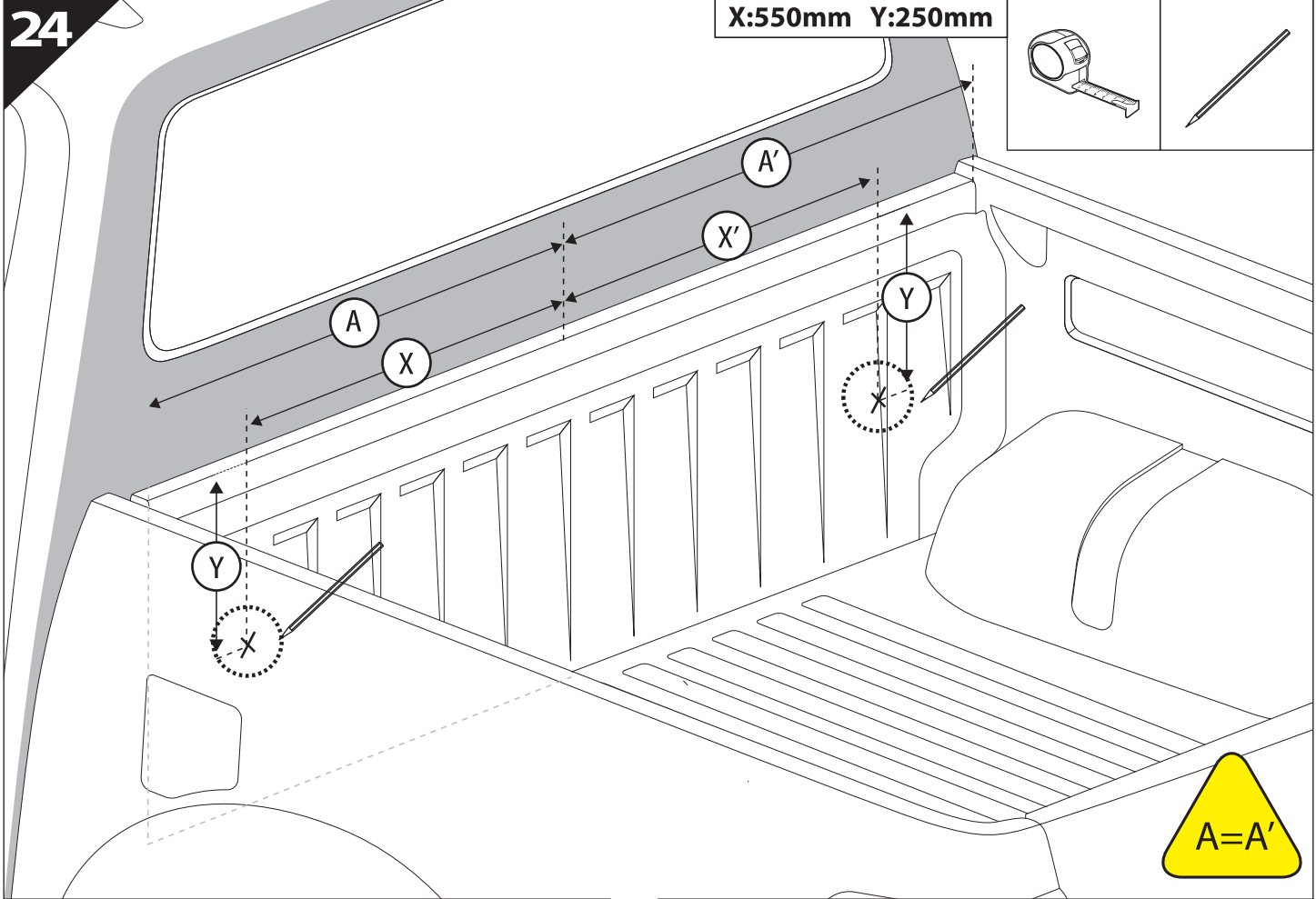
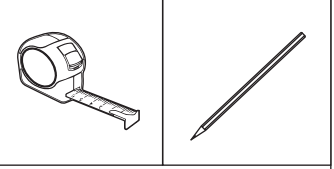


23

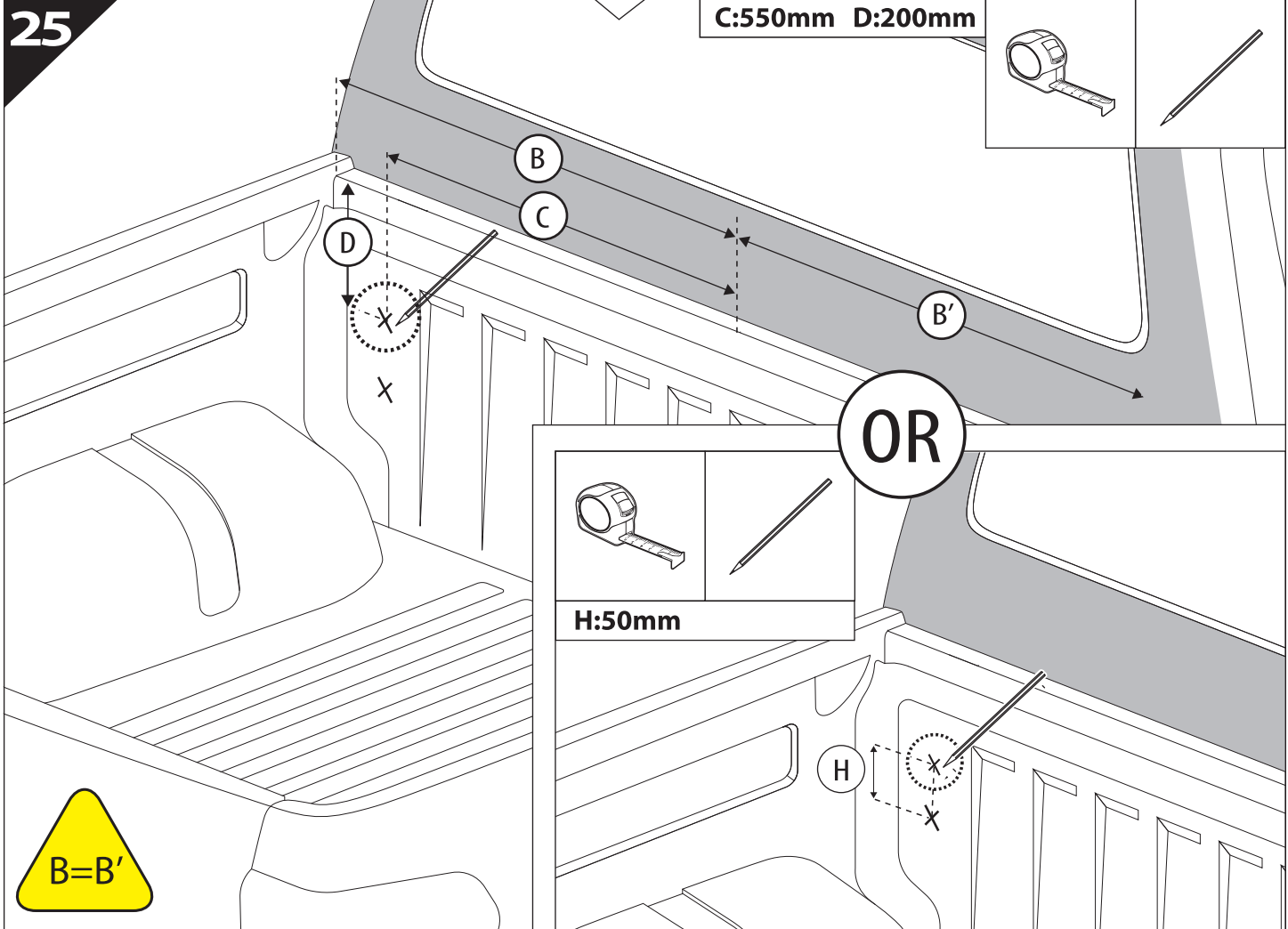
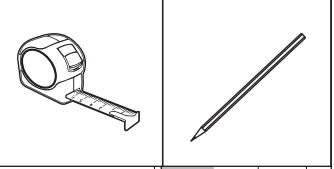


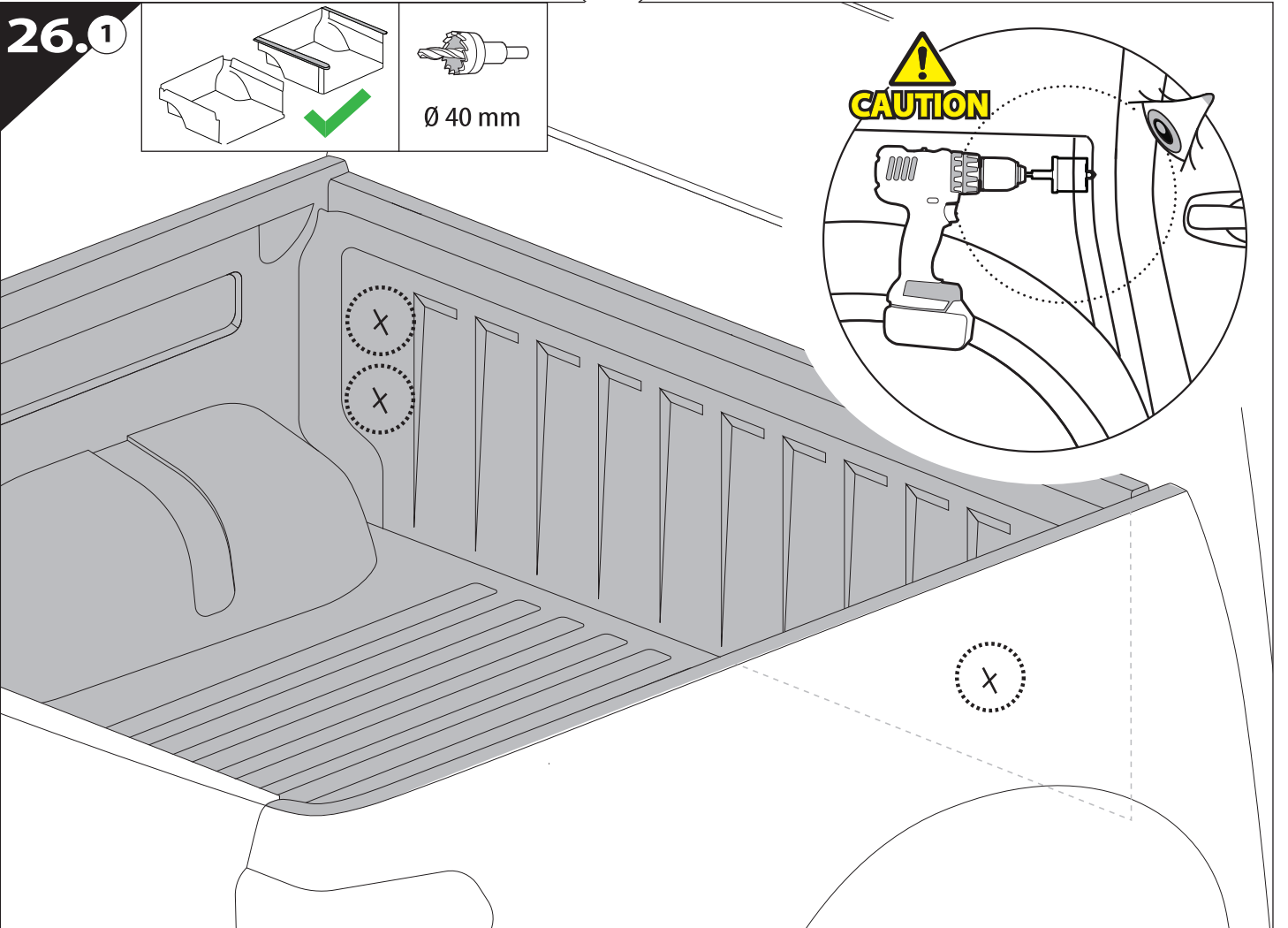
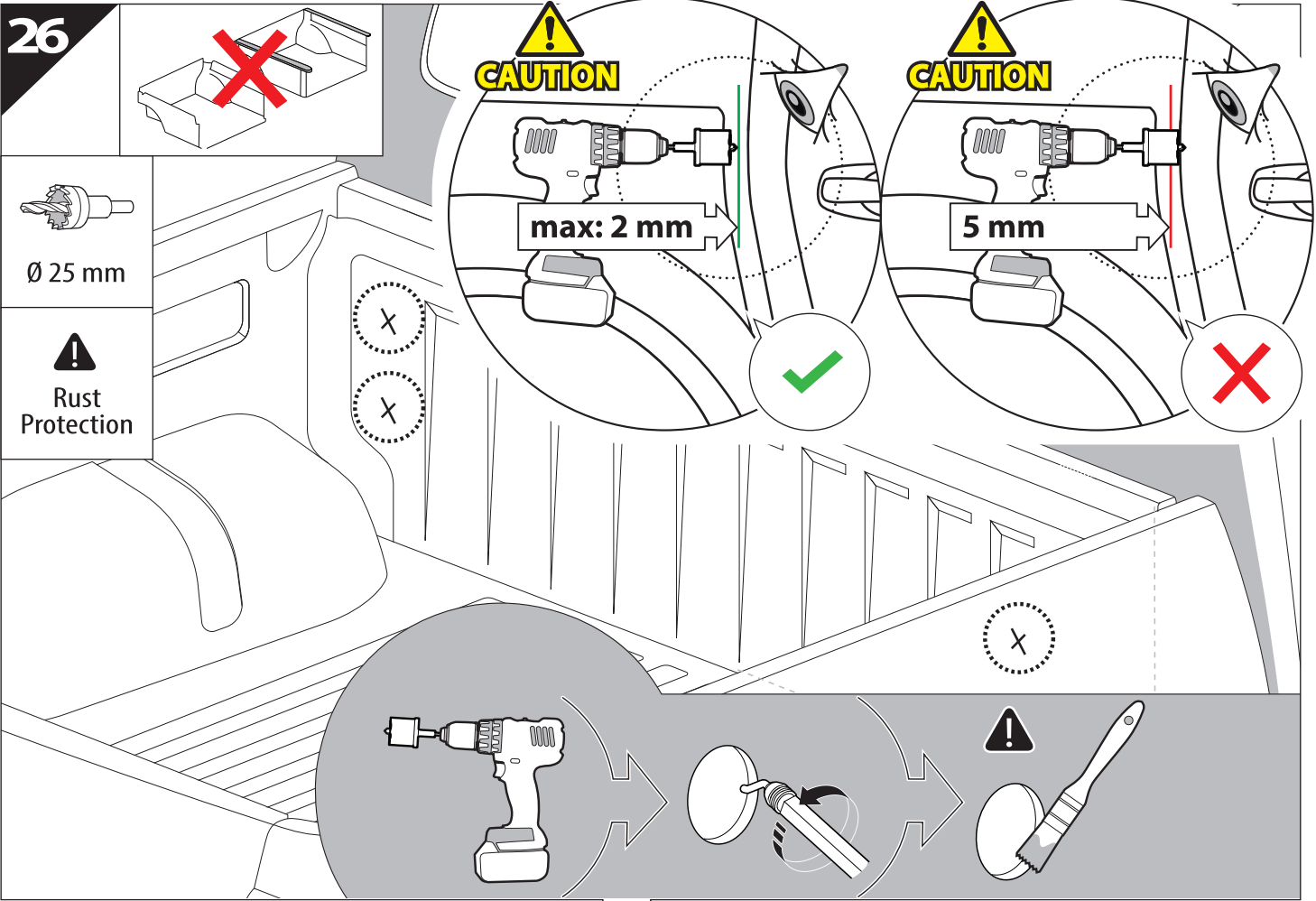
24

X:550mm Y:250mm

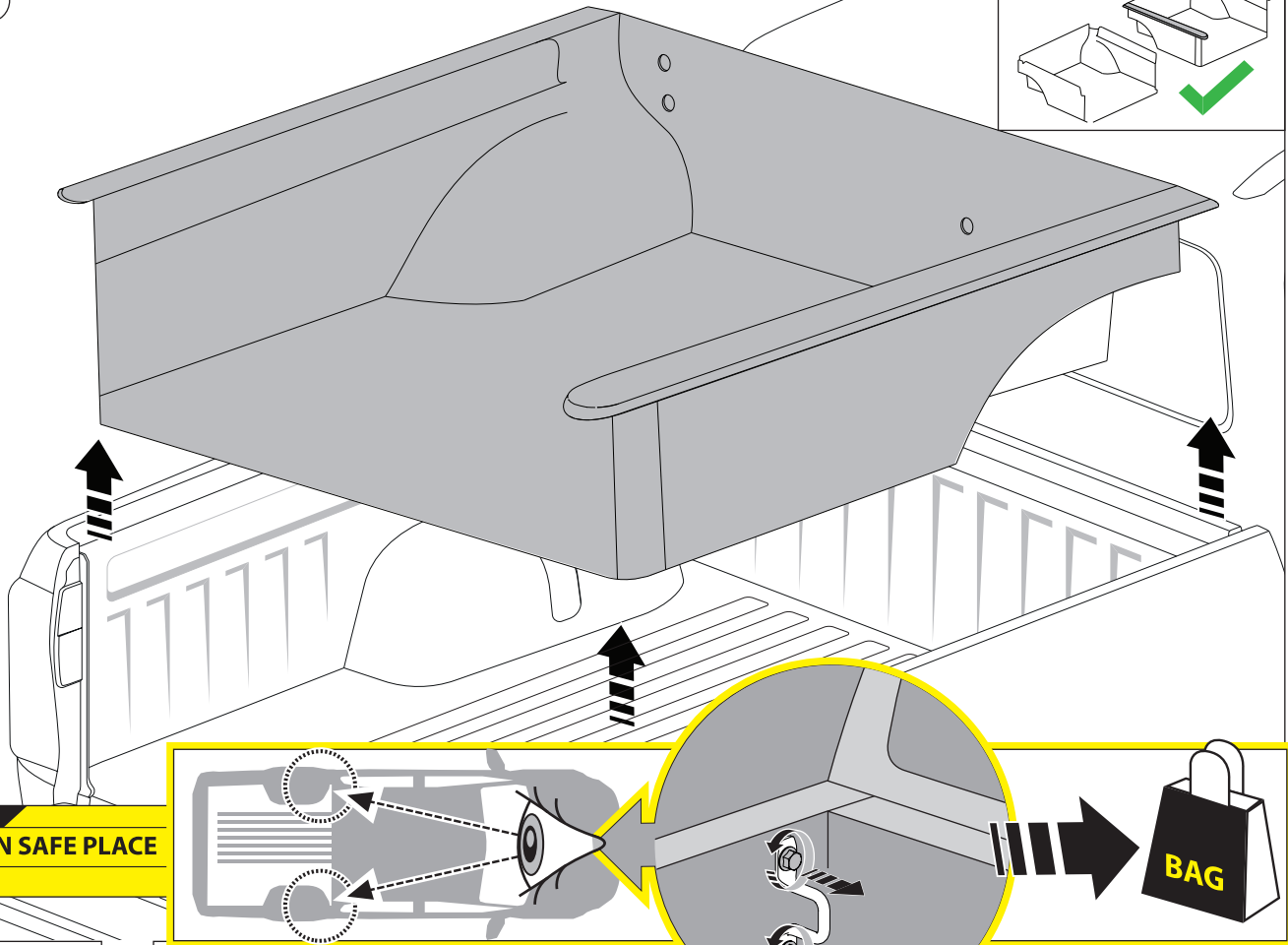
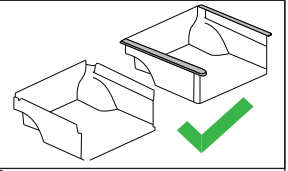


C:550mm D:200mm



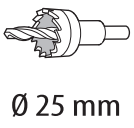
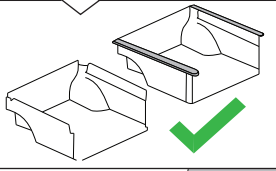


26.2

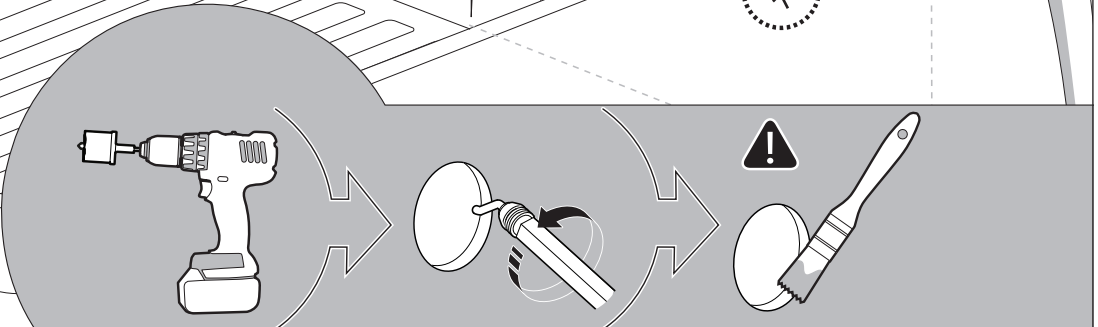
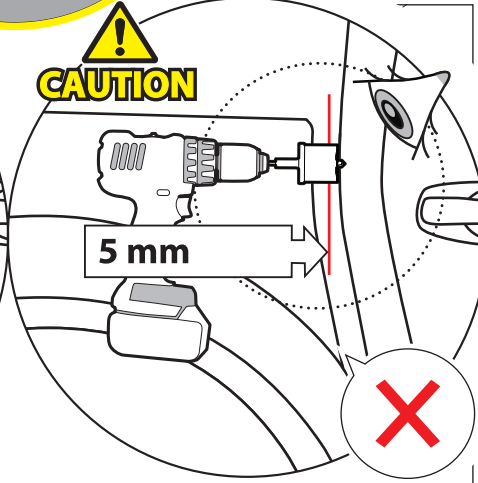
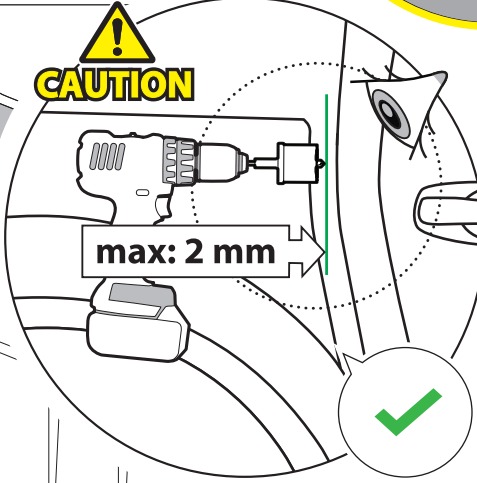


! KEEP IN SAFE PLACE

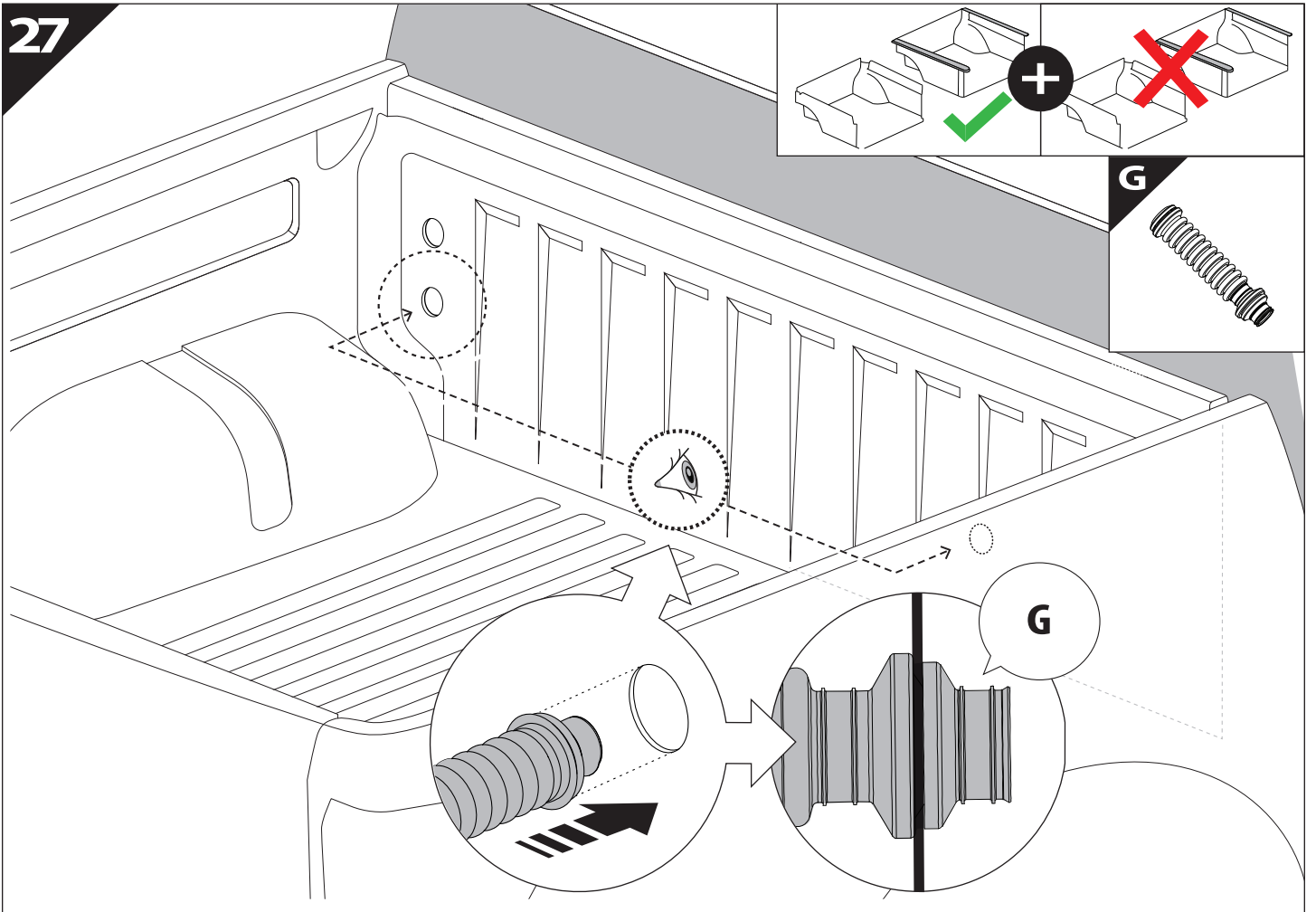
26.3



! Rust Protection

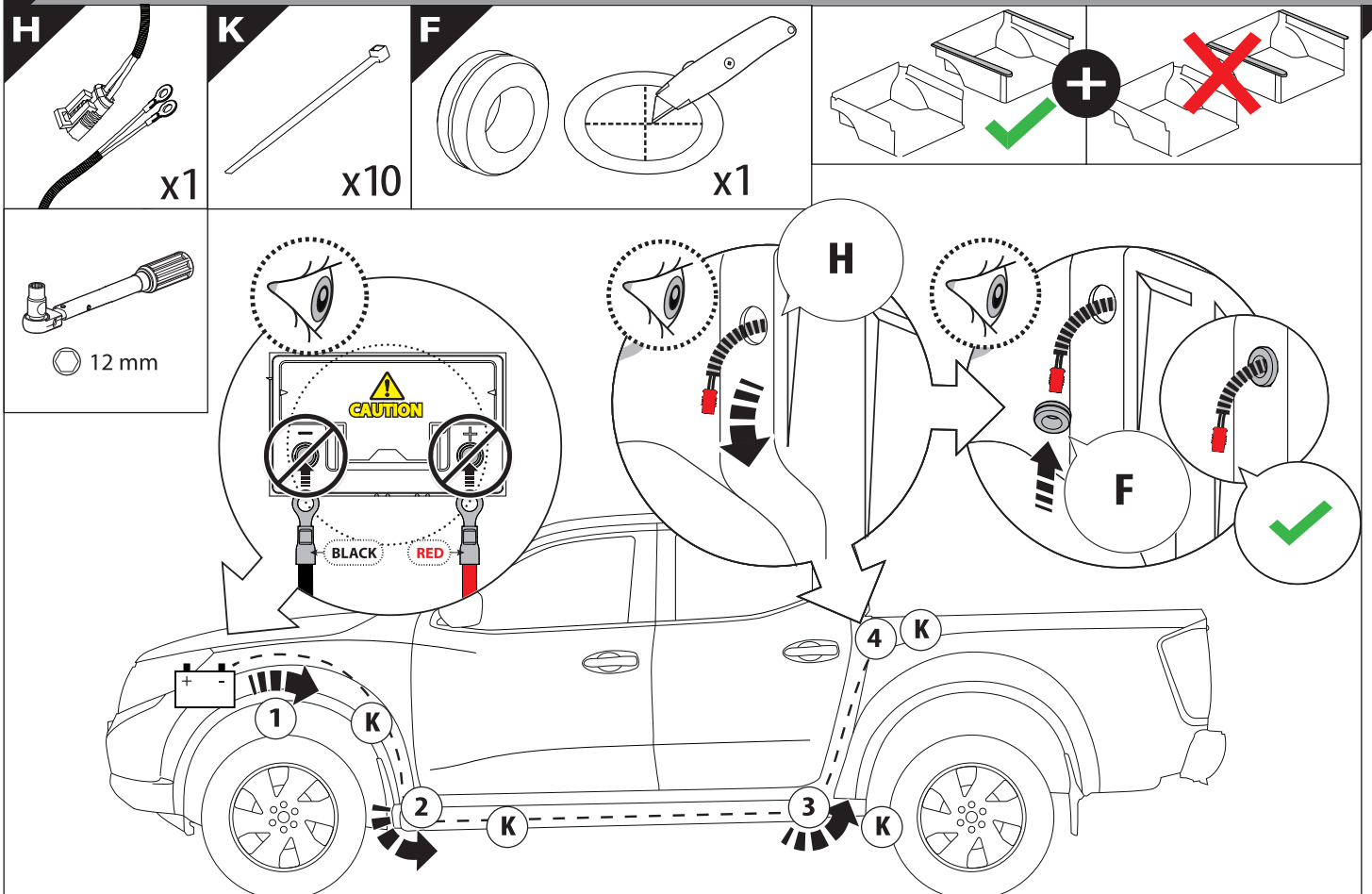


27

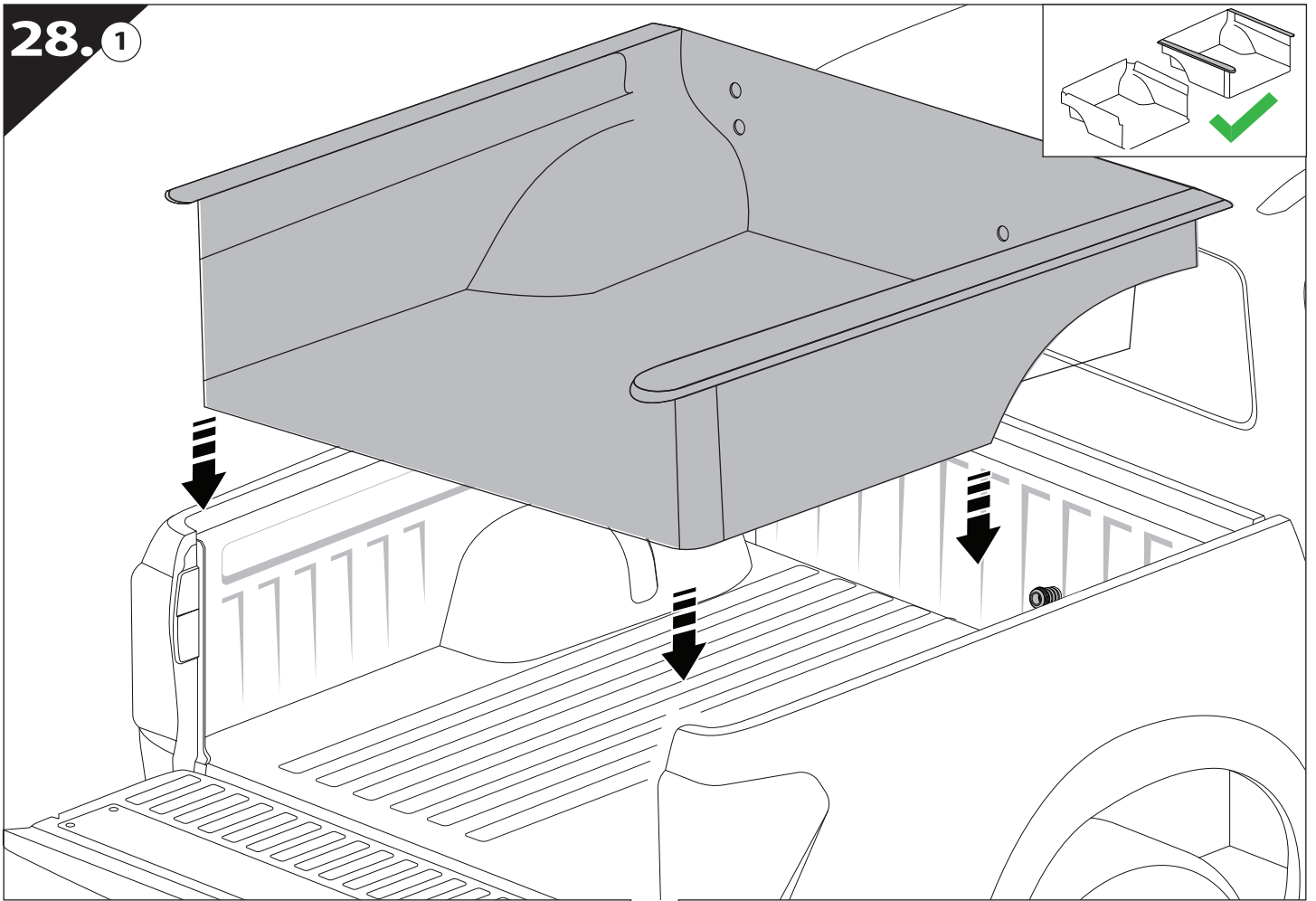


28

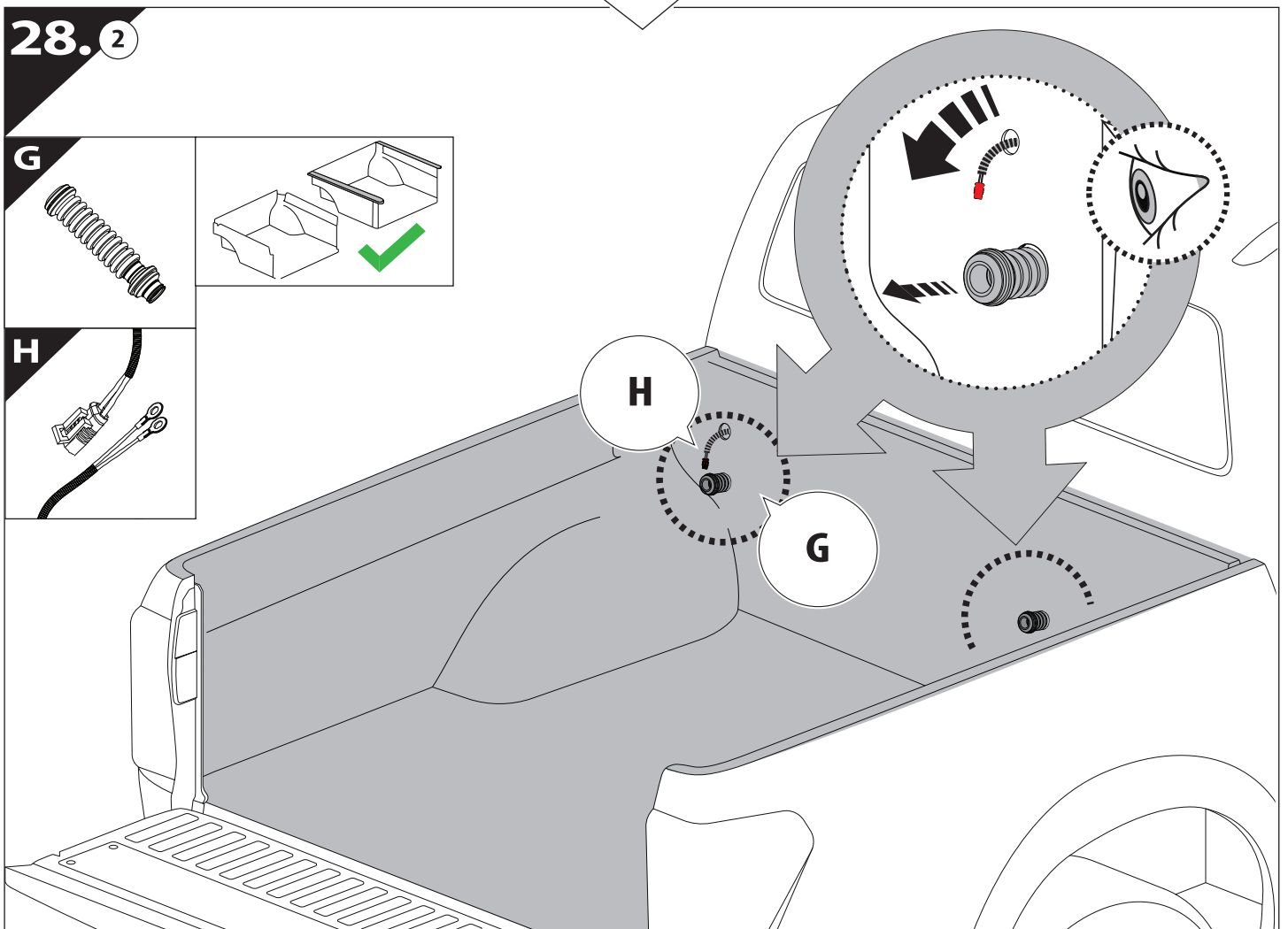
Only to be installed by authorized personnel



28.1

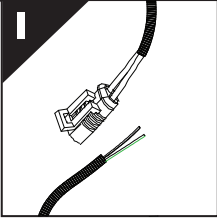


28.2

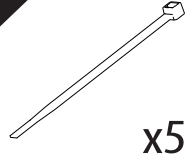


29

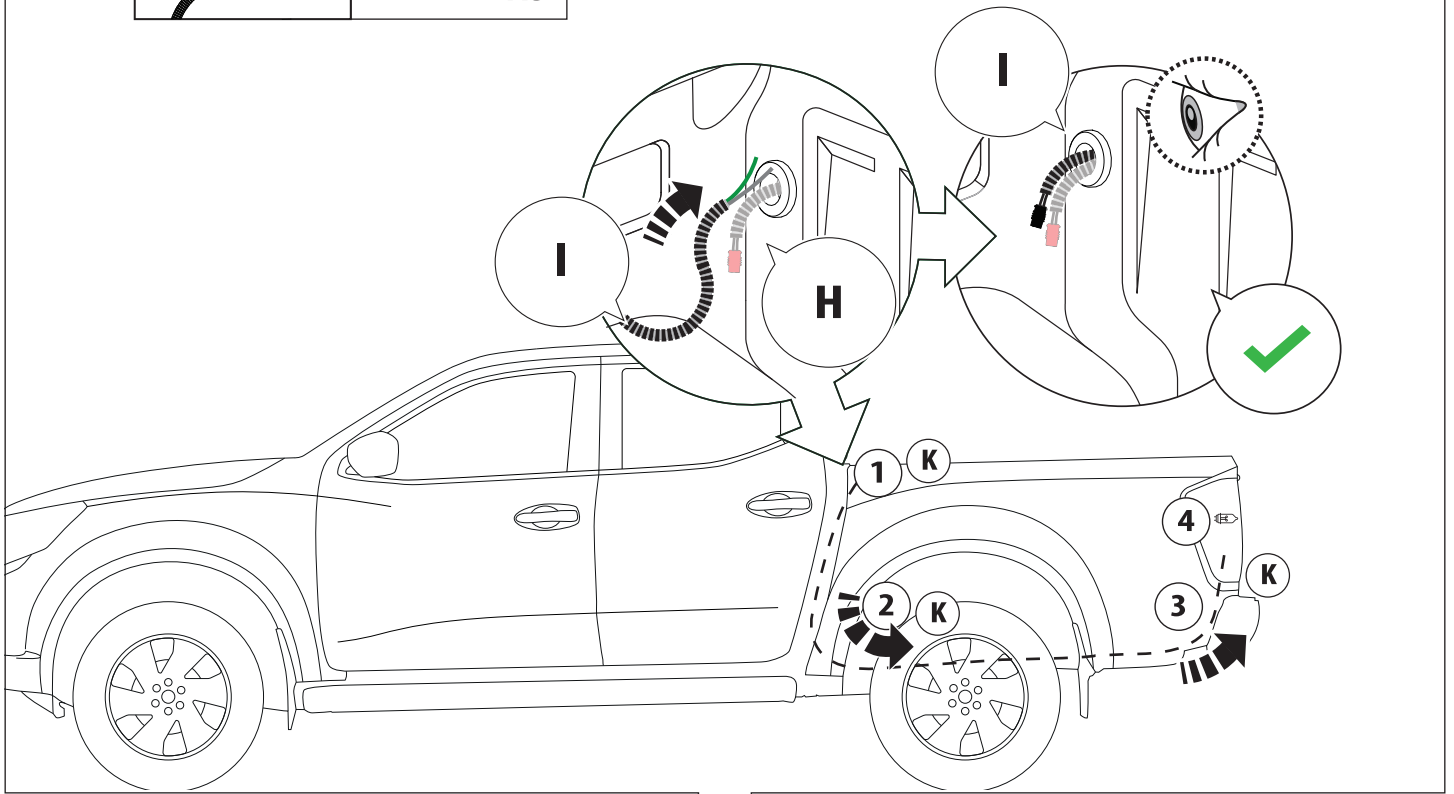
I



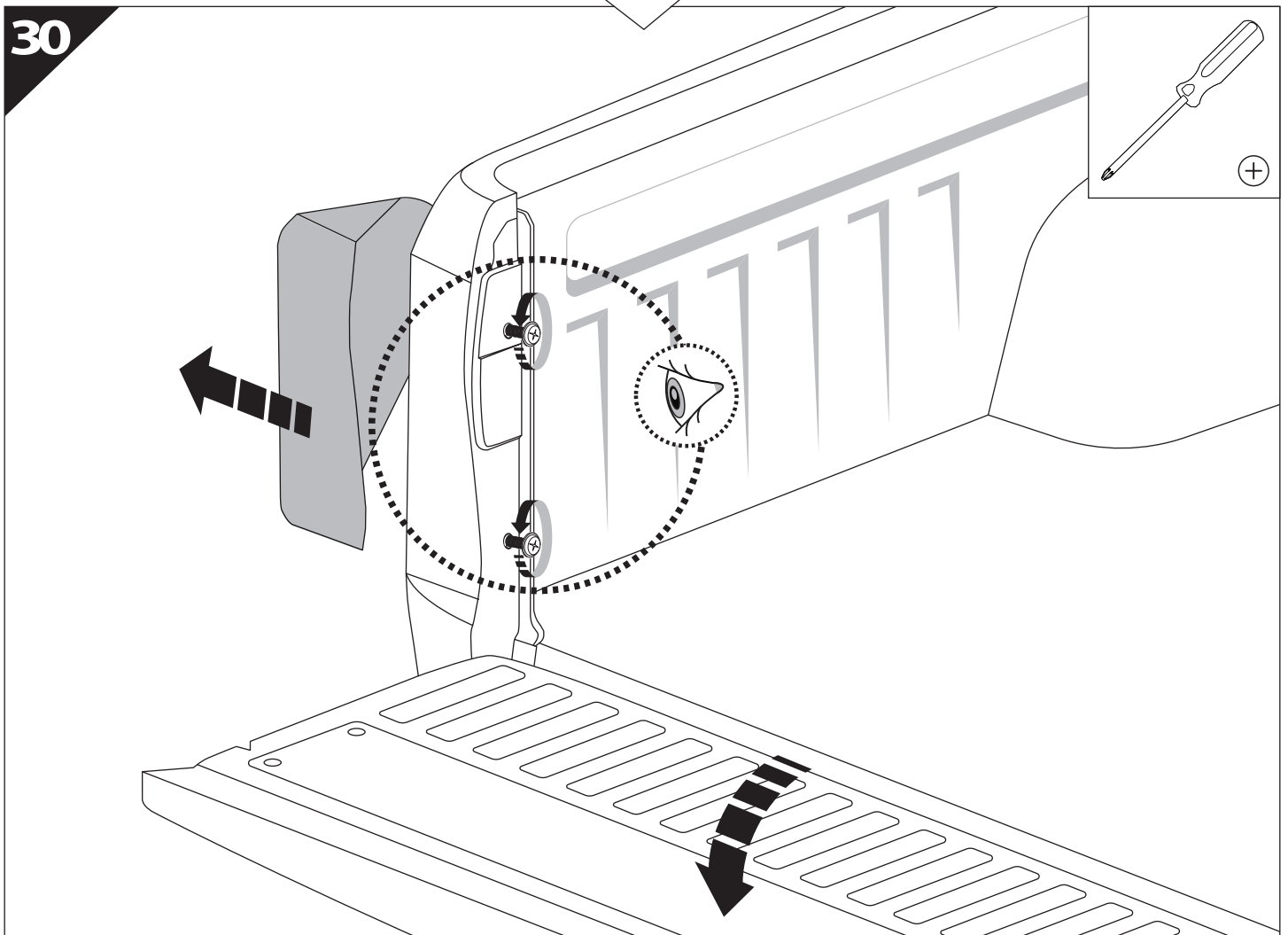
K

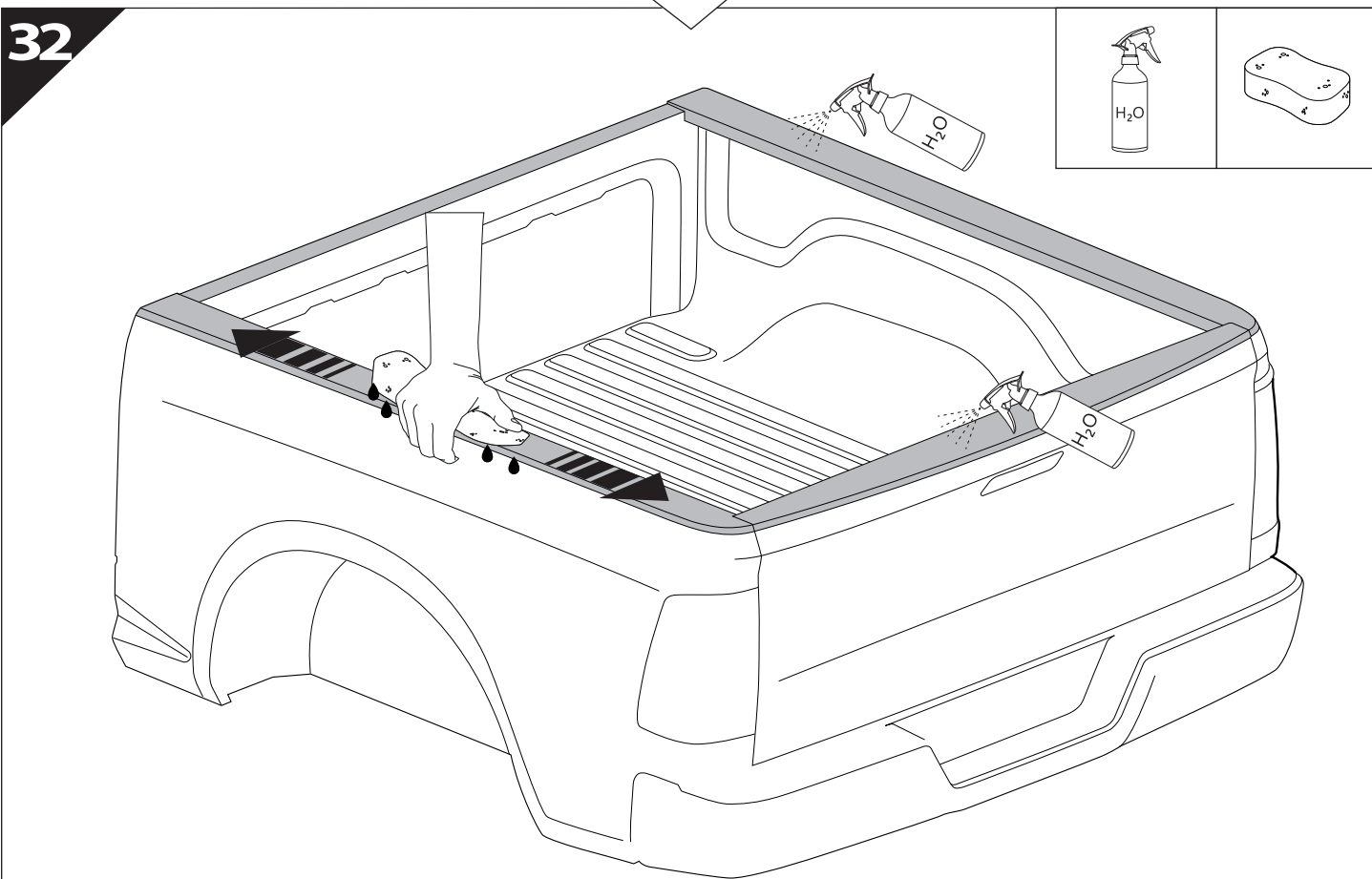
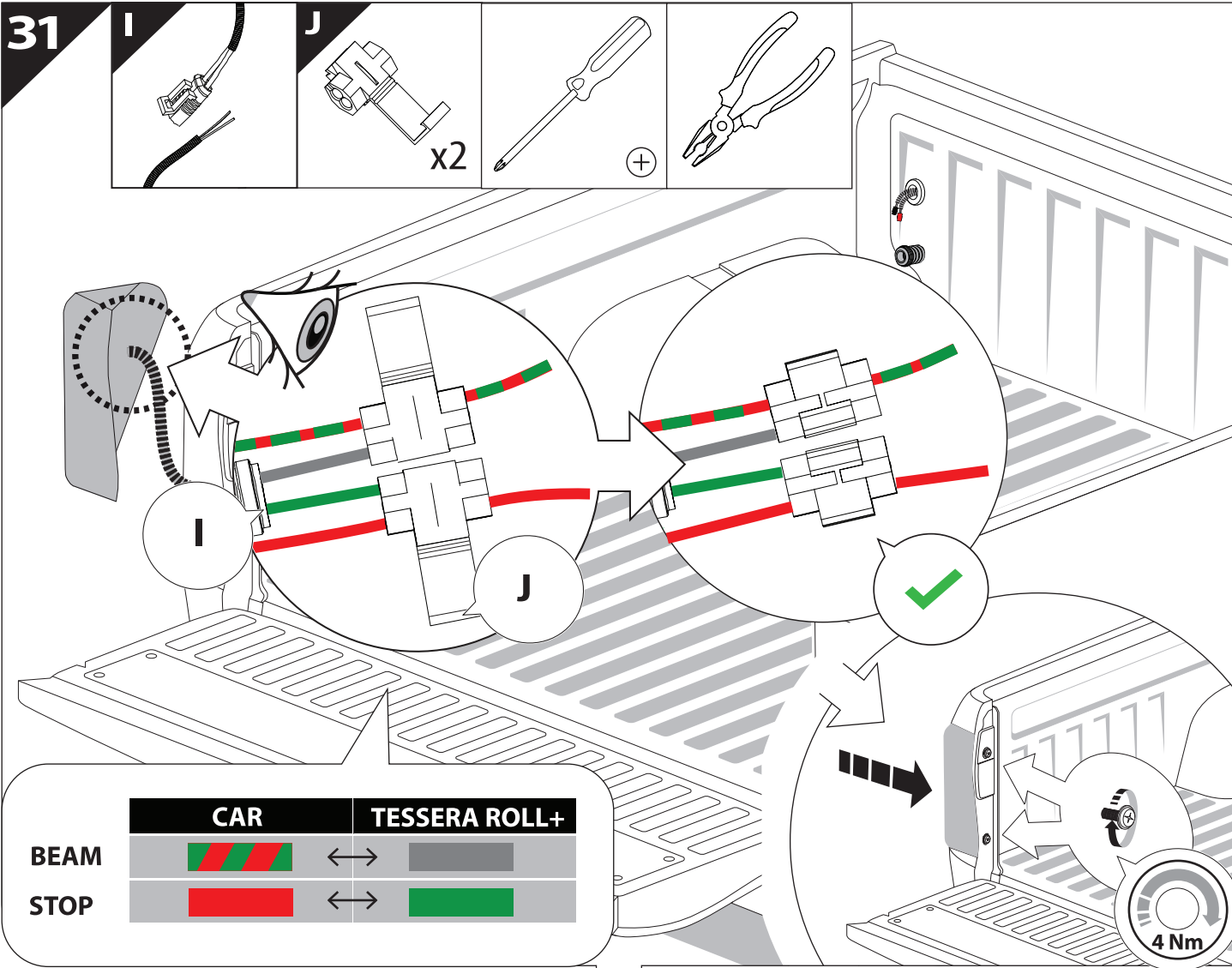


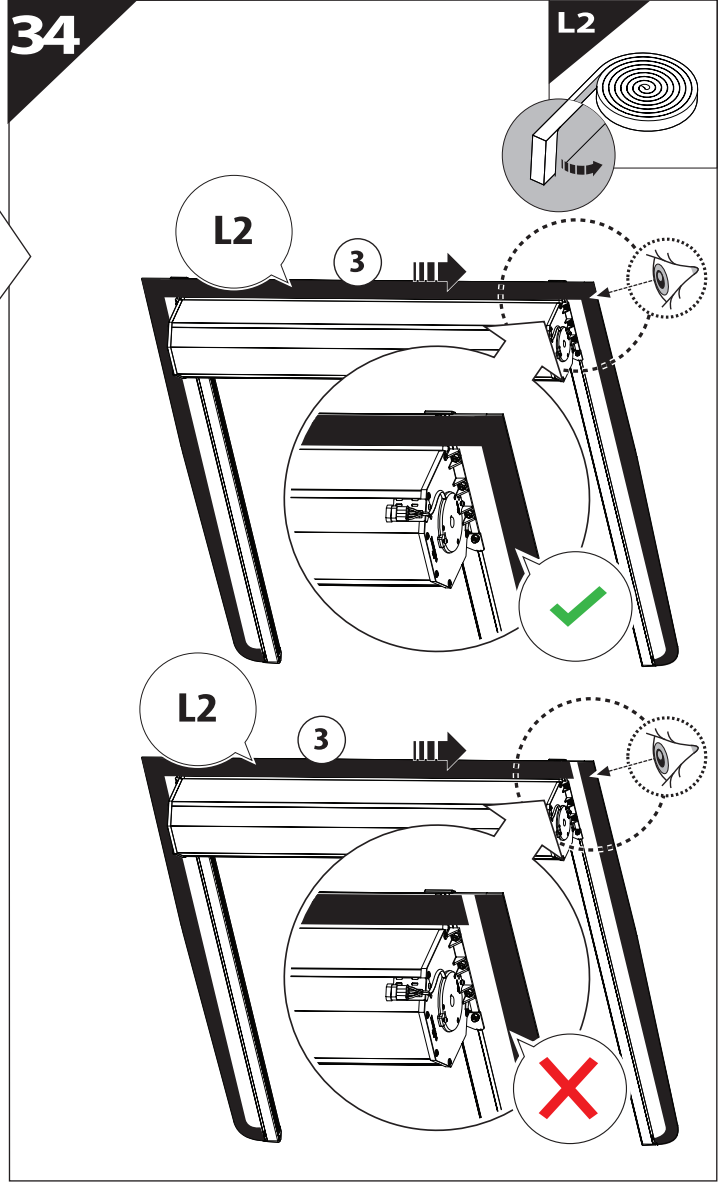
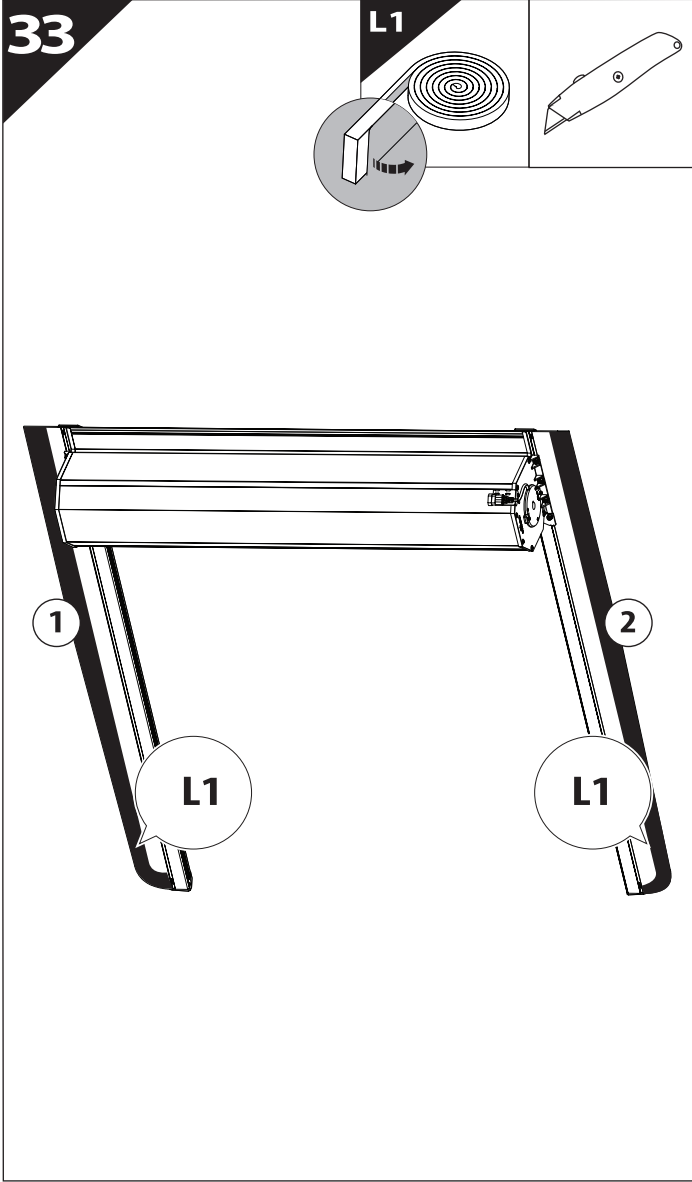
x5

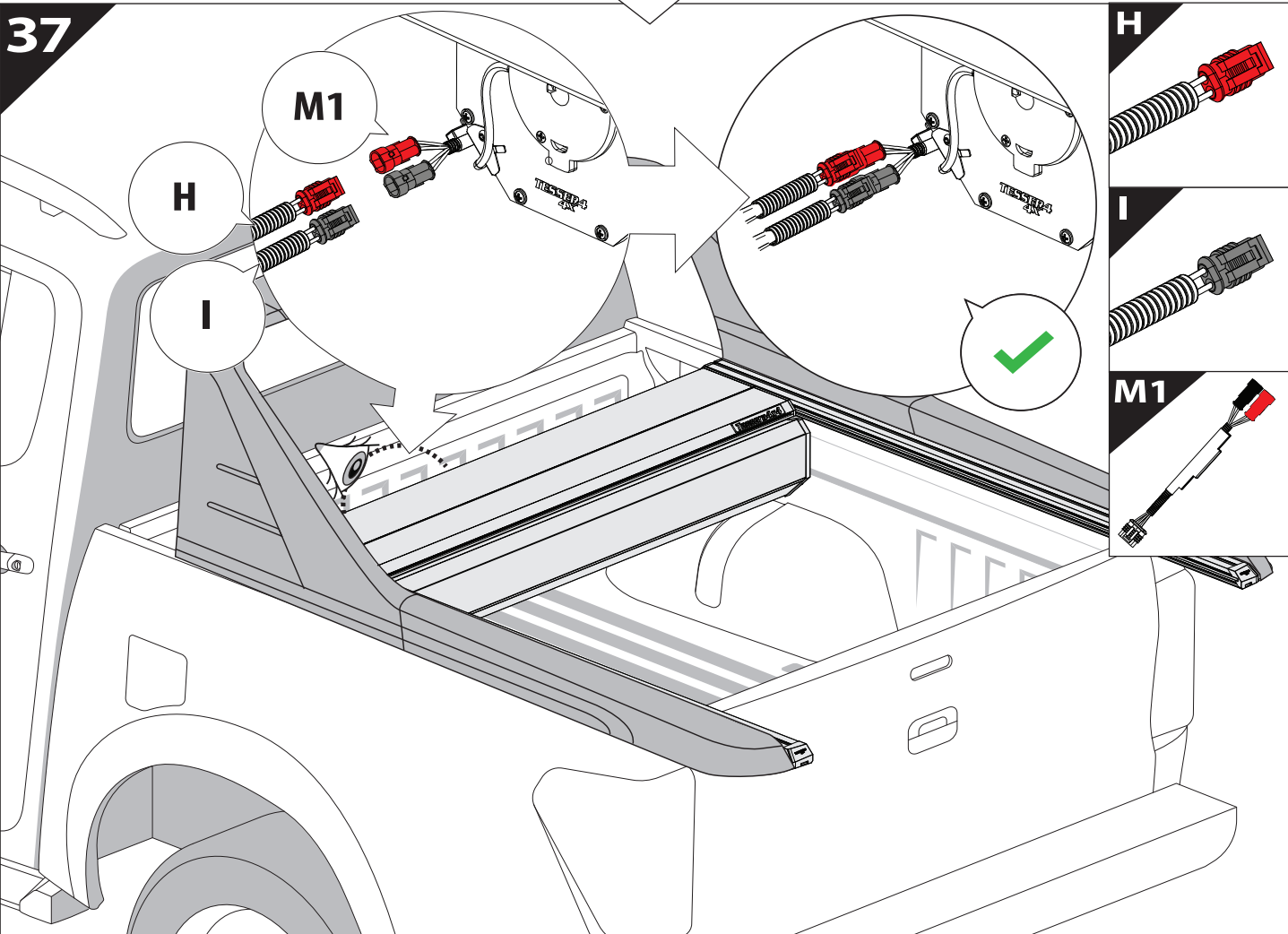
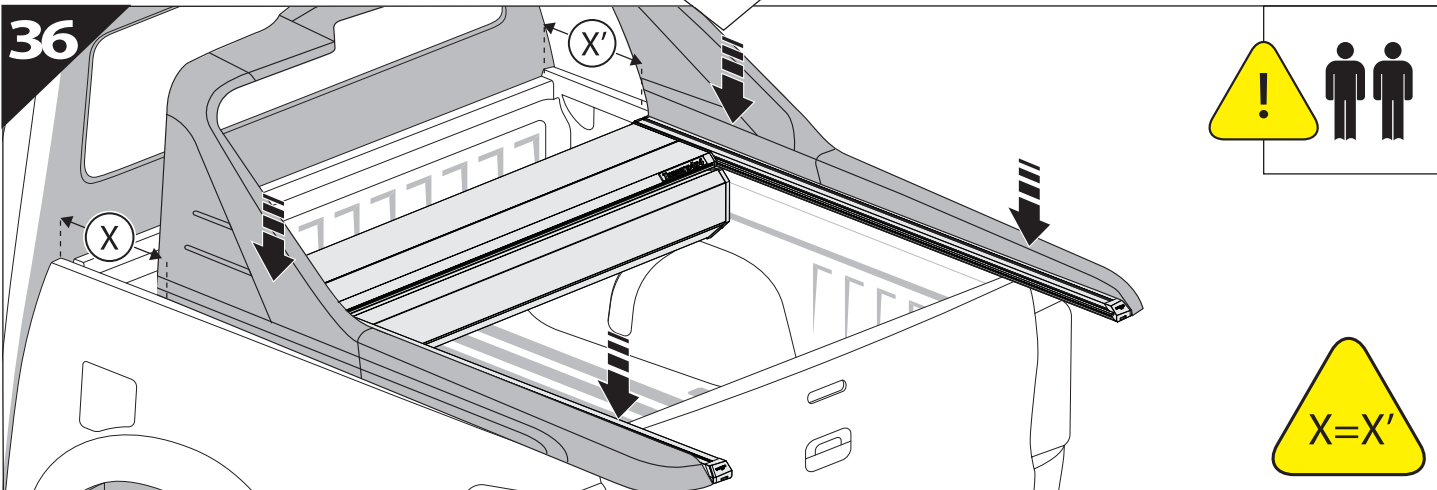
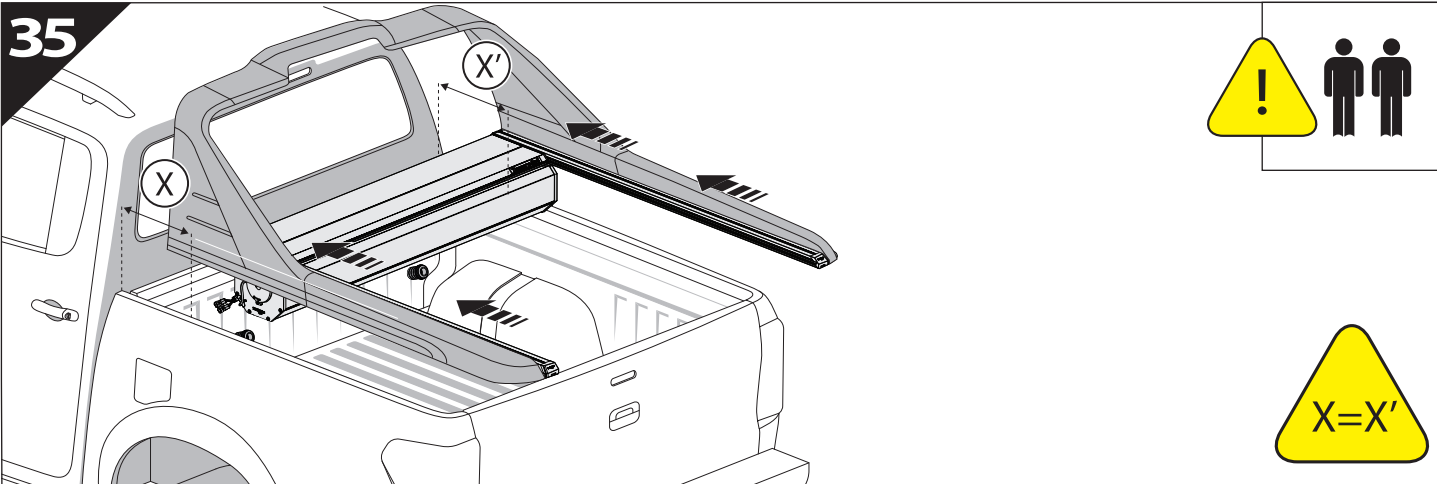


30

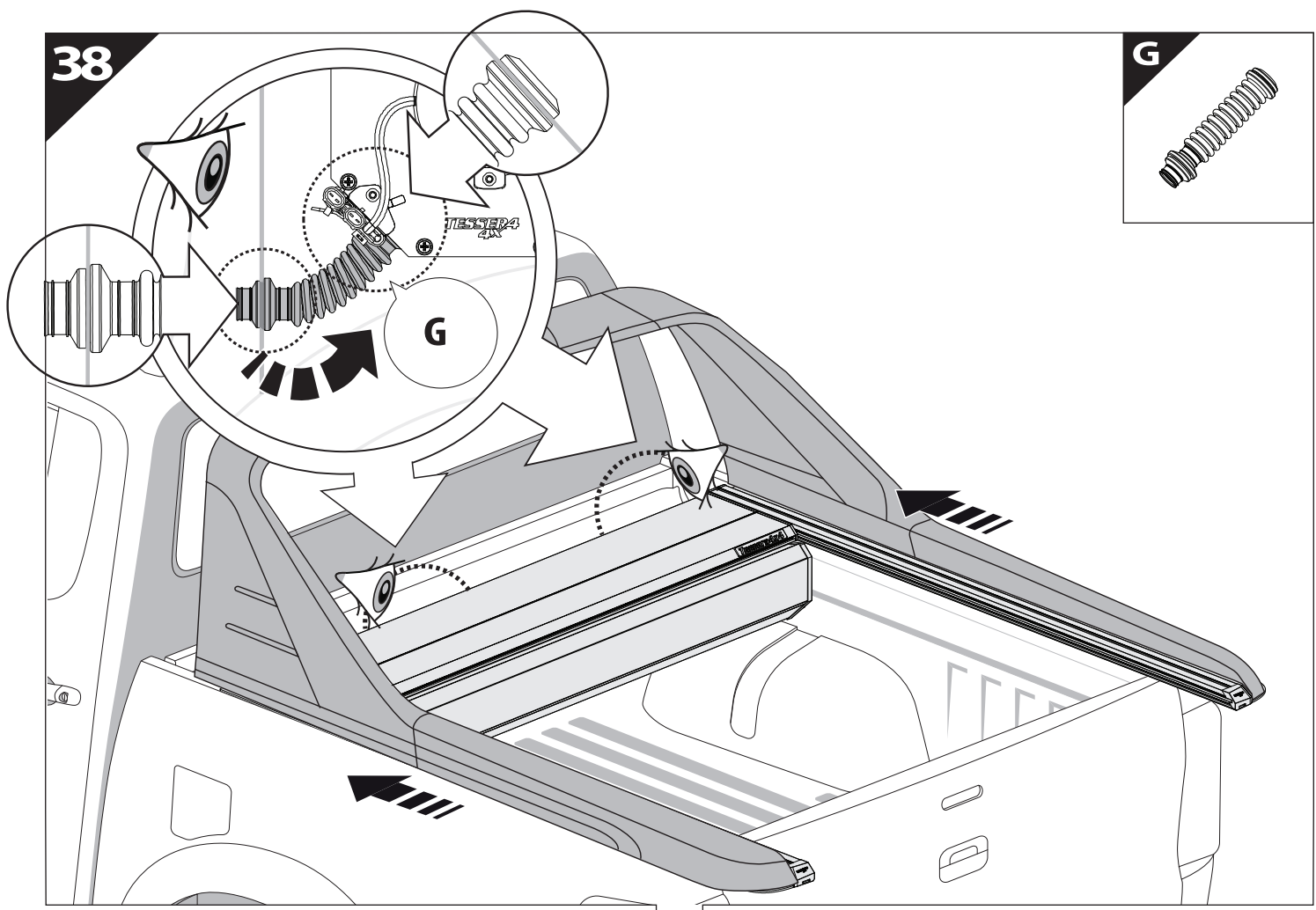
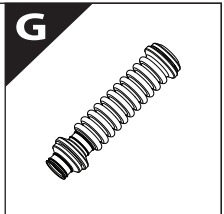




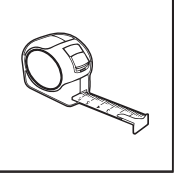
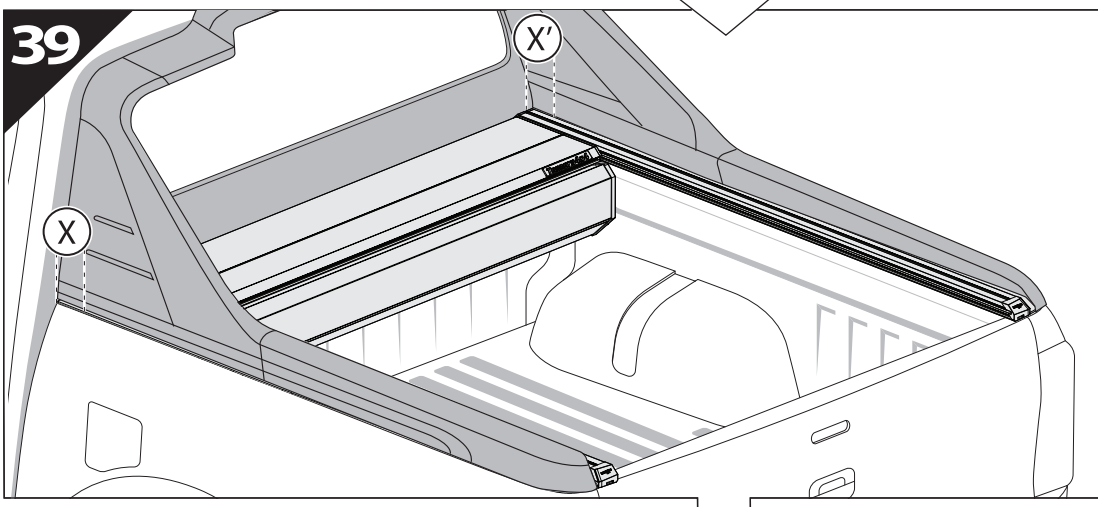
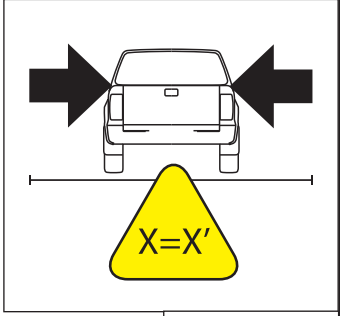




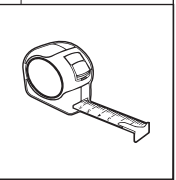
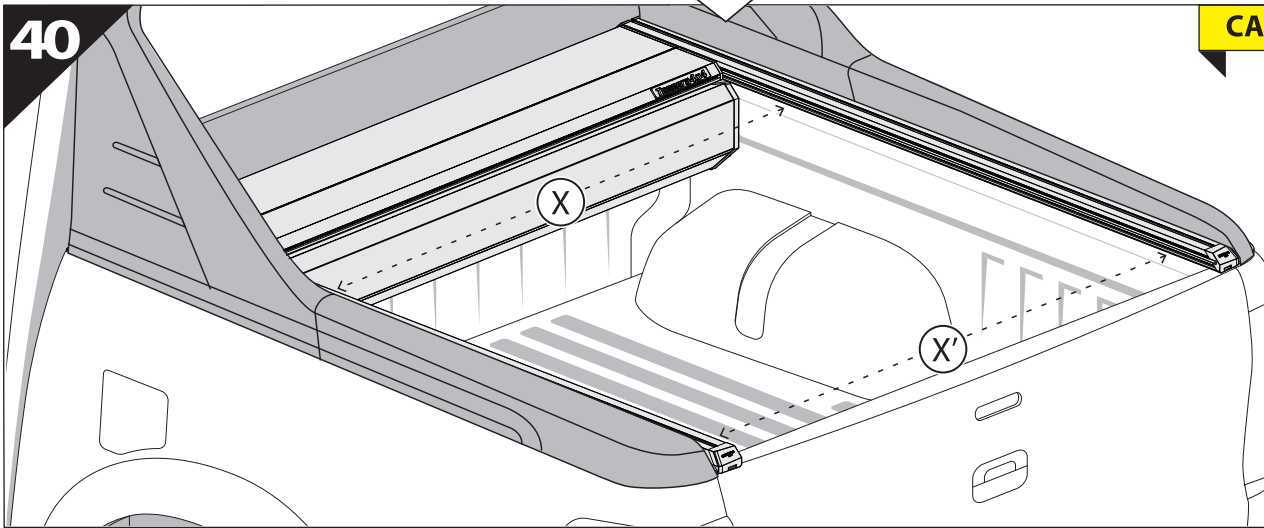
38



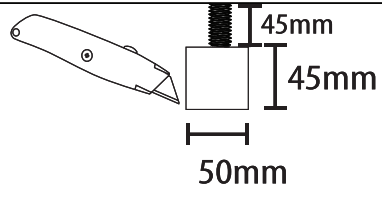
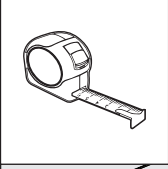
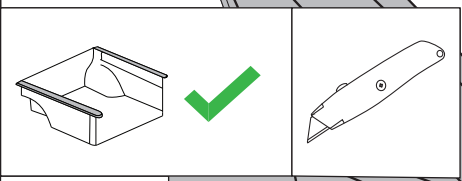
39



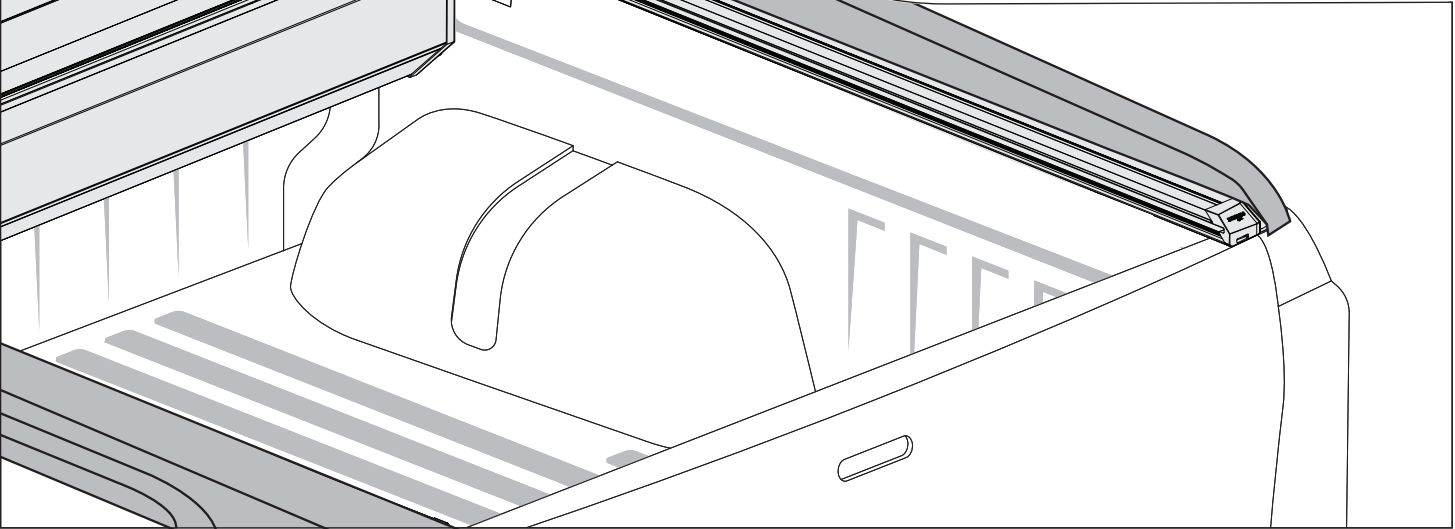
40

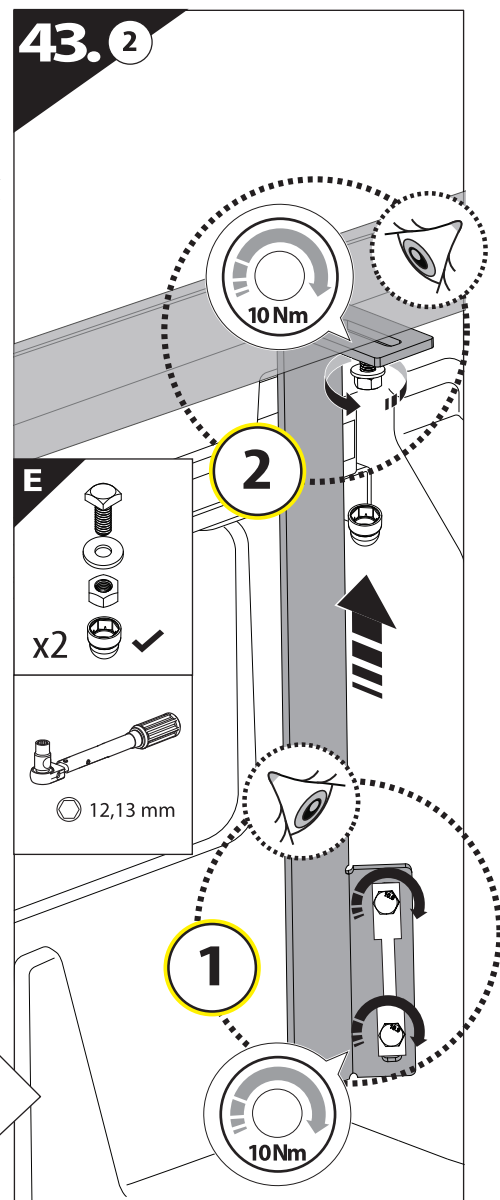
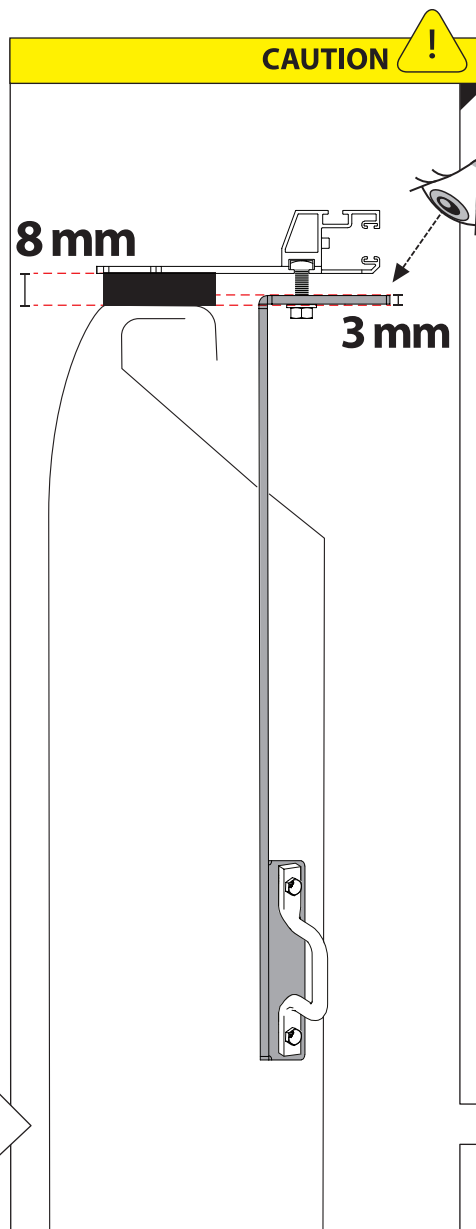
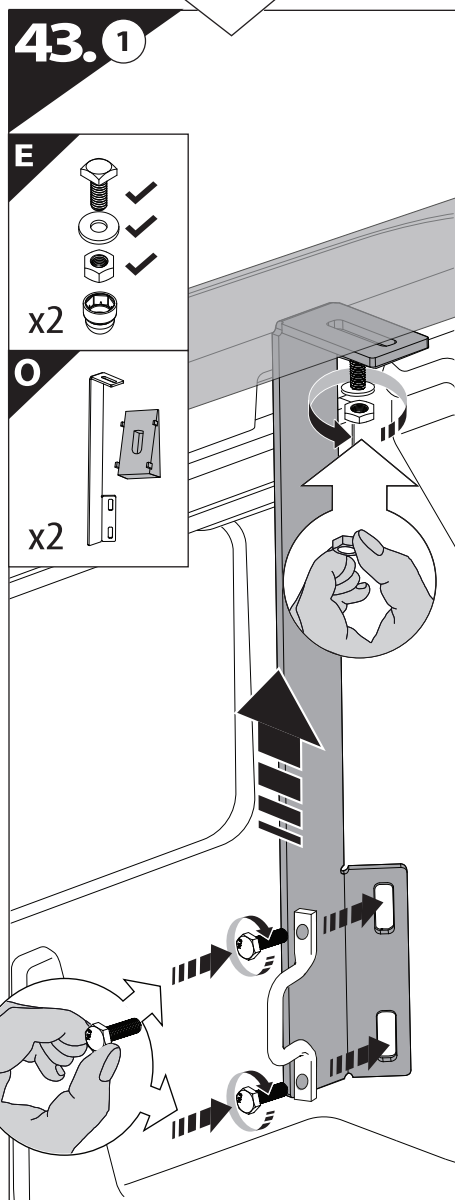
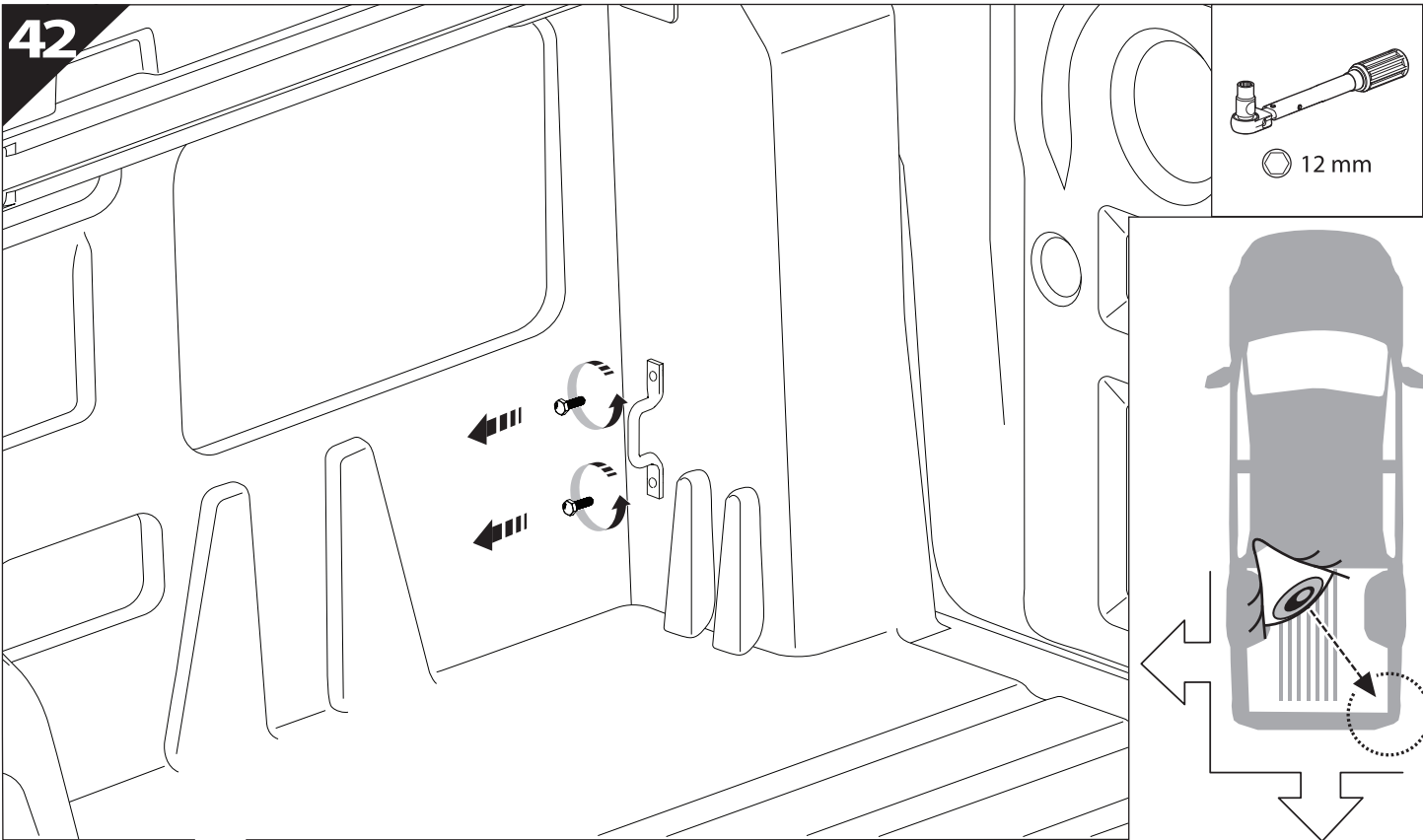


41

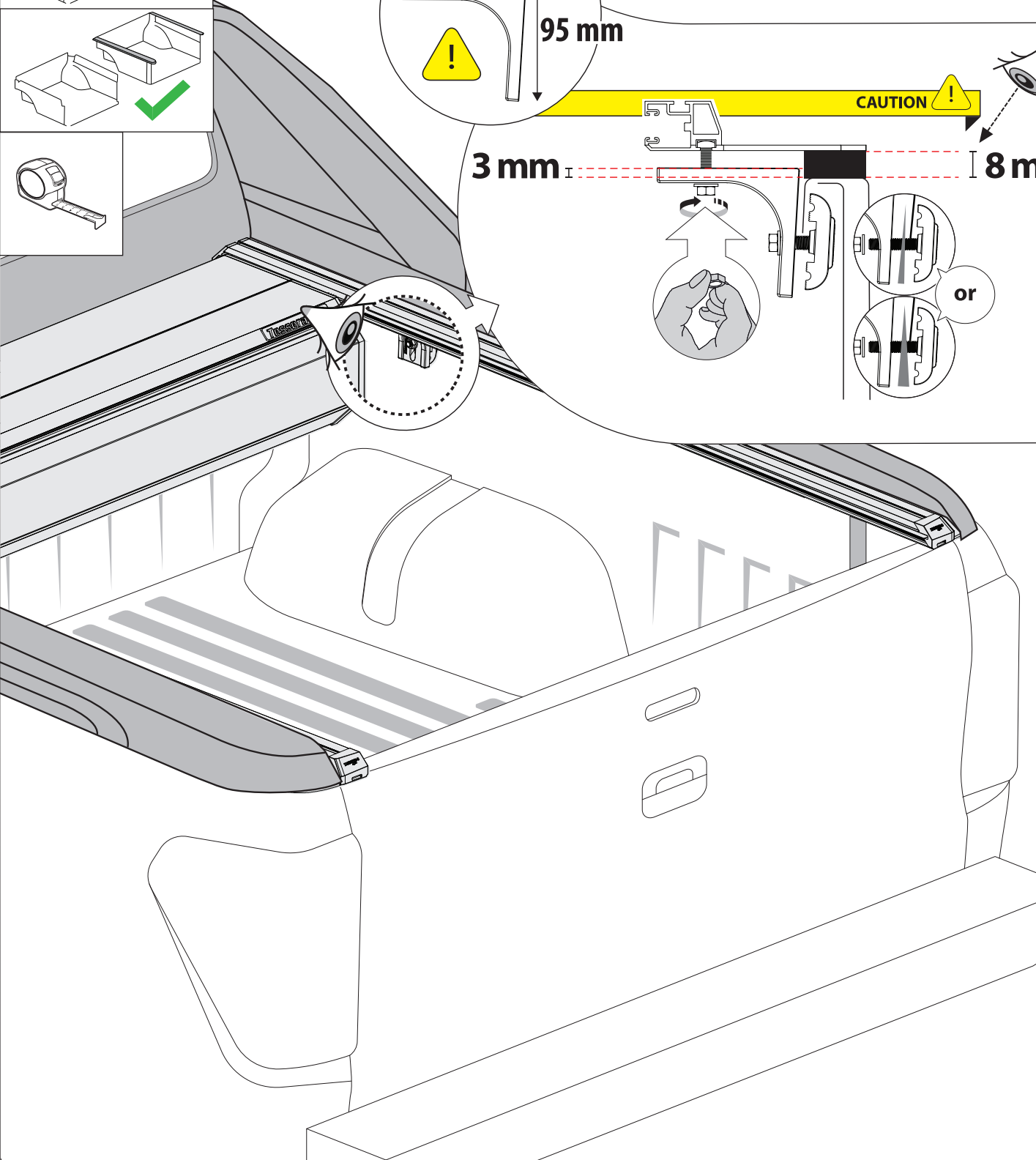
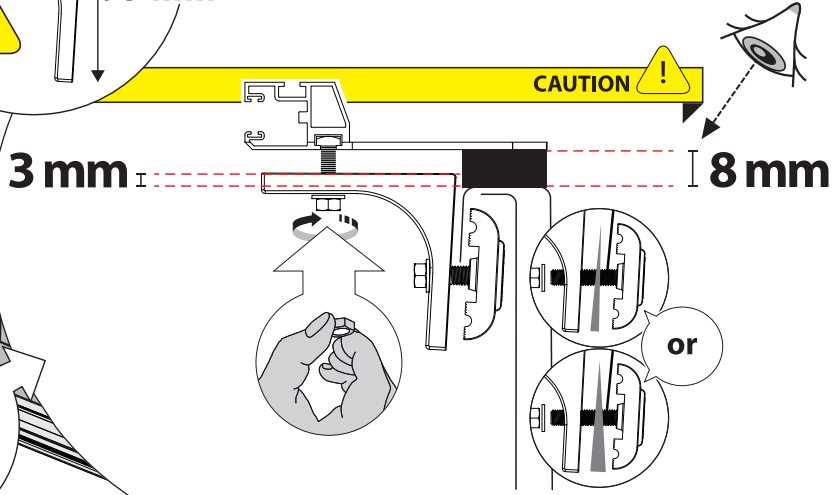
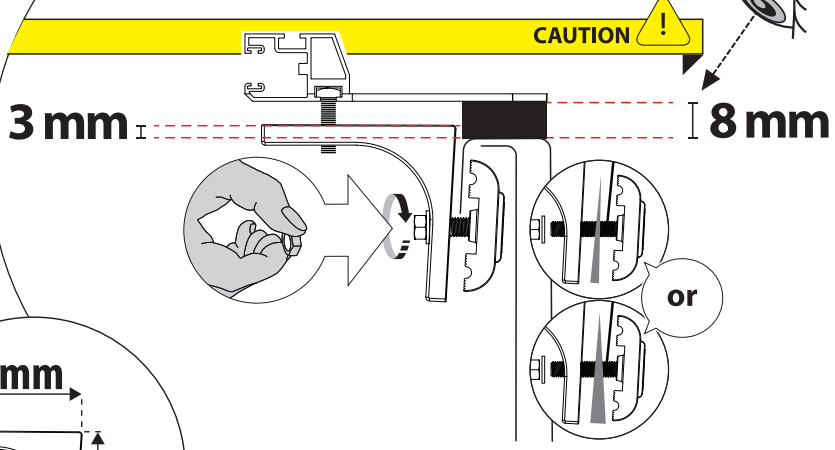
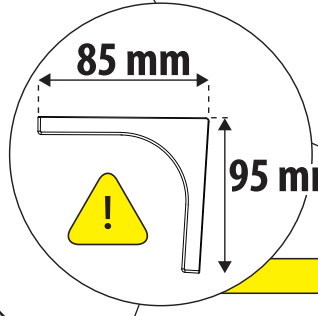
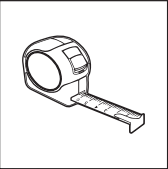
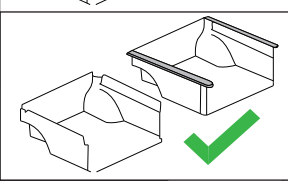
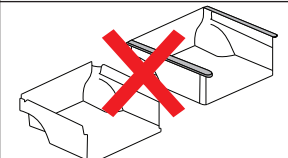
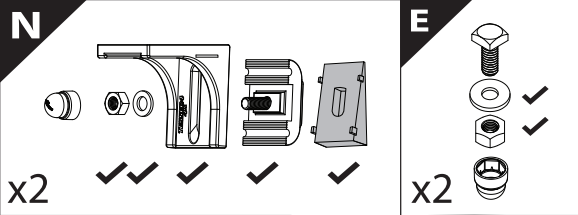


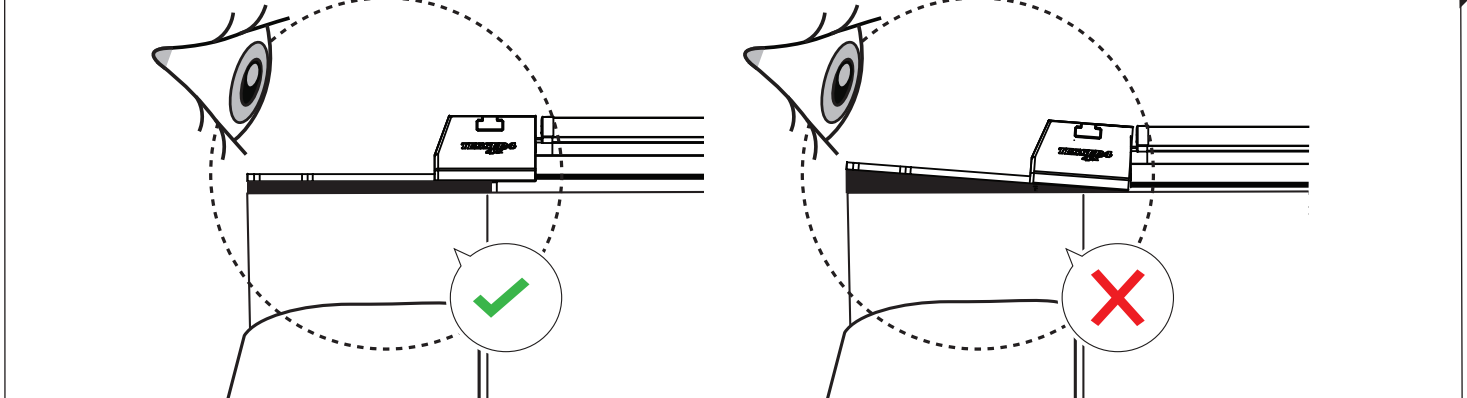
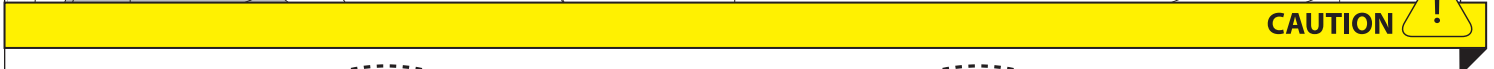
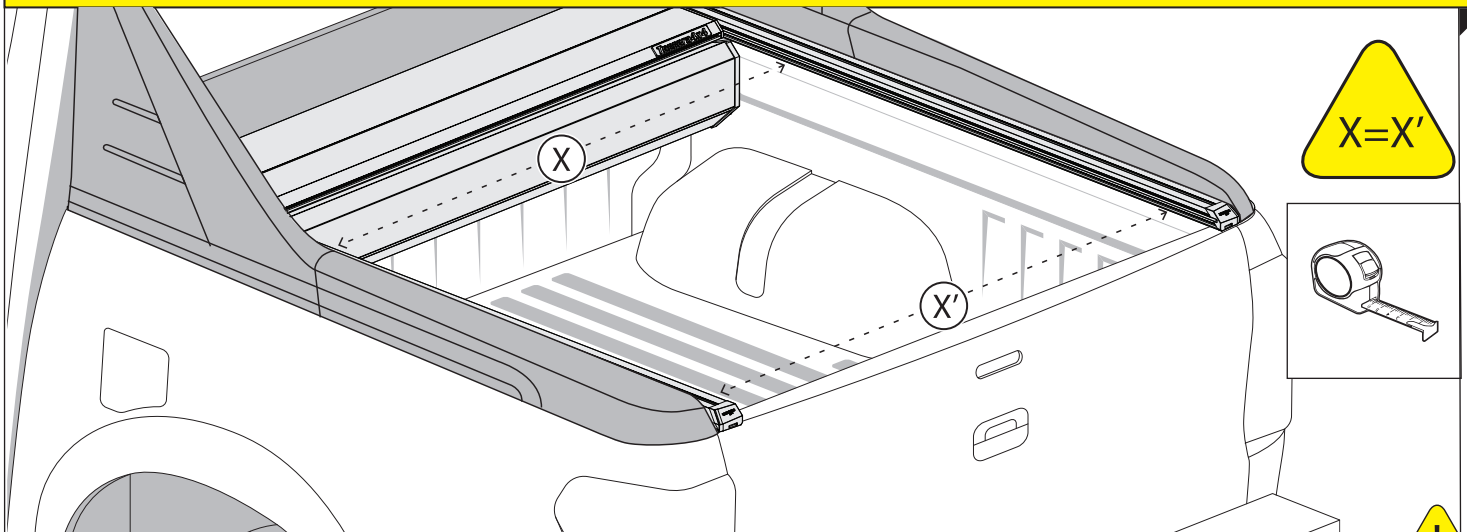
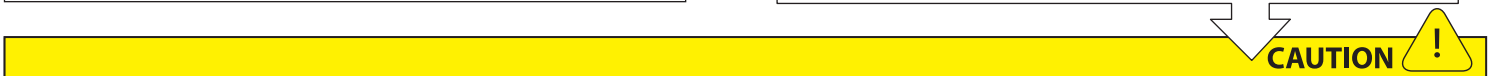
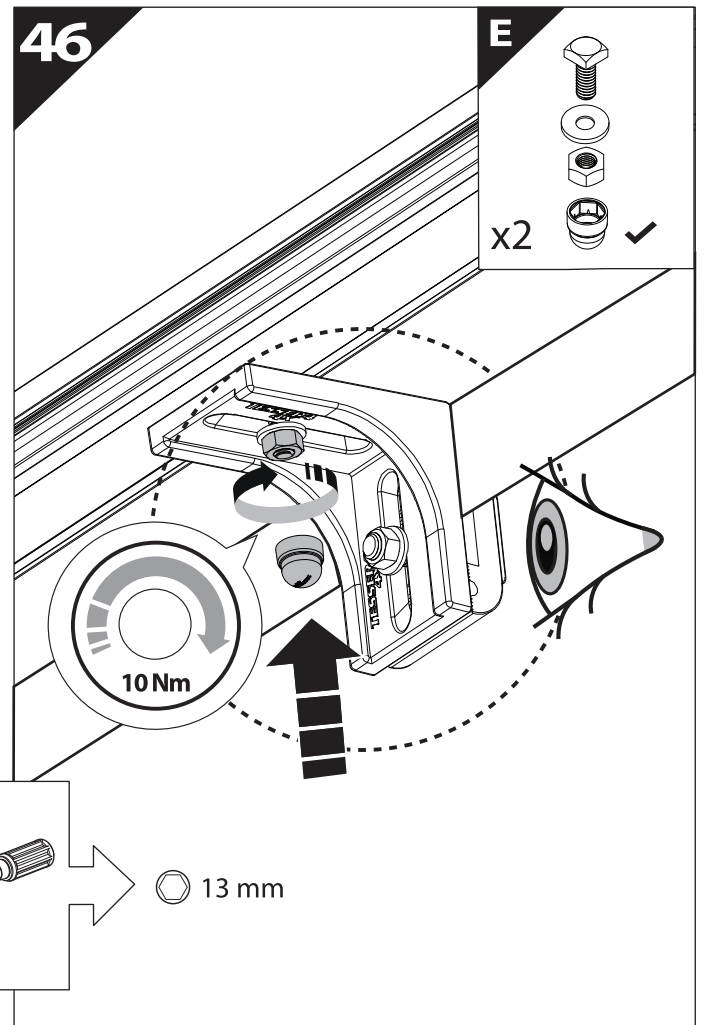
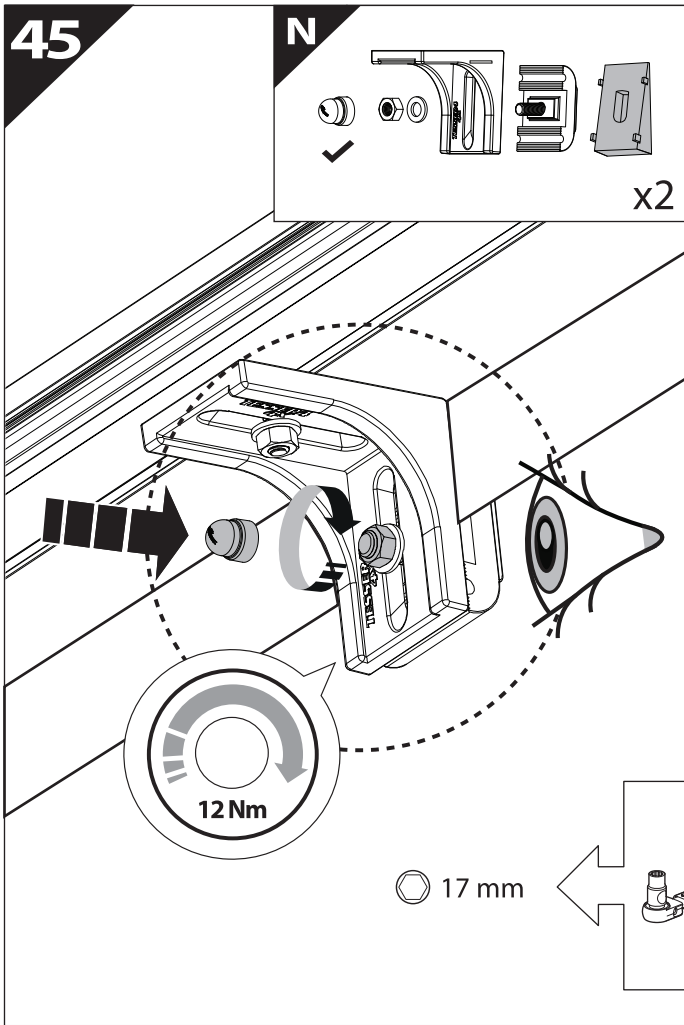
x2



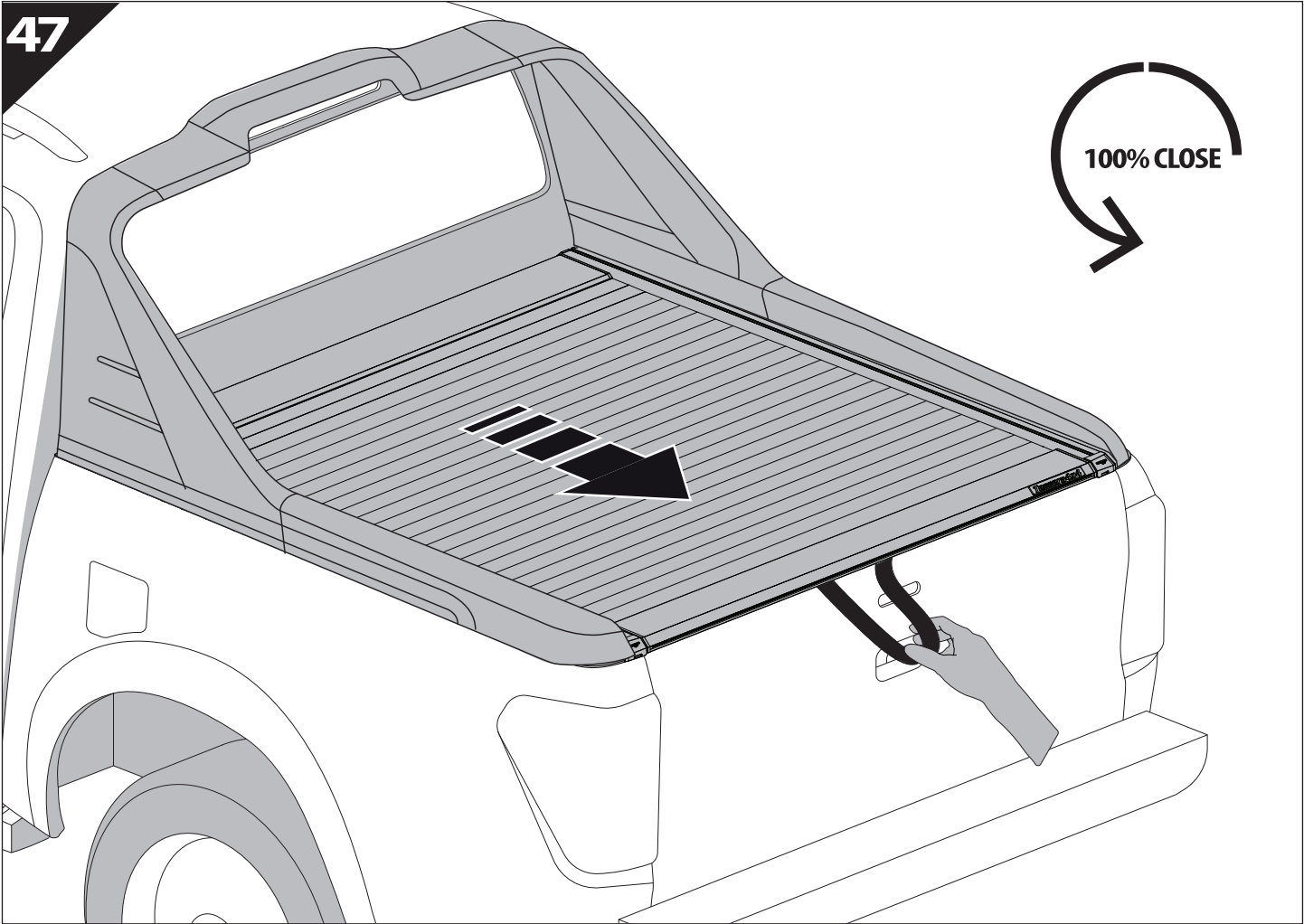


44

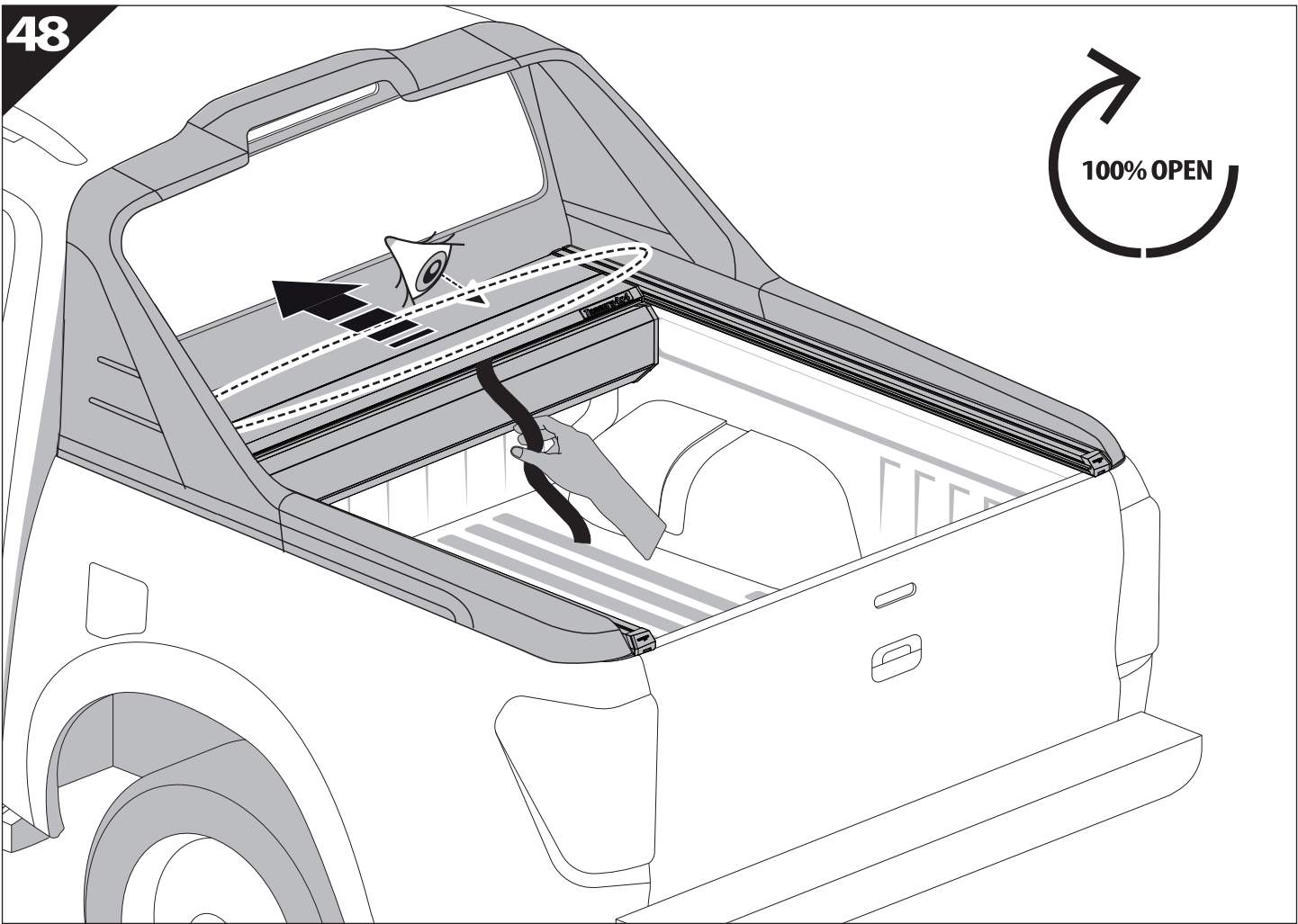




47



48





GR: Οδηγίες Εγκατάστασης
GB: Installation manual
SF: Asennusohje
F: Notice de montage
PL: Instrukcja montażu
NL: Installatie-instructies
TR: Montaj Talimatı
S: Monteringsanvisning
E: Instrucciones de montaje

H: Szerelési utasítás
P: Instruções de instalação
RUS: Инструкция по установке
N: Monteringsveiledning
D: Einbauanleitung
CZ: Návod k instalaci
I: Istruzioni de montaggio
DK: Monteringsvejledning
RO: Instructiuni de instalare

Customer Service:

+30 (210) 5541161, +30 (210) 5541154 (08:00 - 16:00 EET)

Support department:

info@gianso.gr

Website:

www.tessera4x4.com

Address:

19.5 km of National road Athens-Korinthos (Elefsina) Greece, P.C: 19200