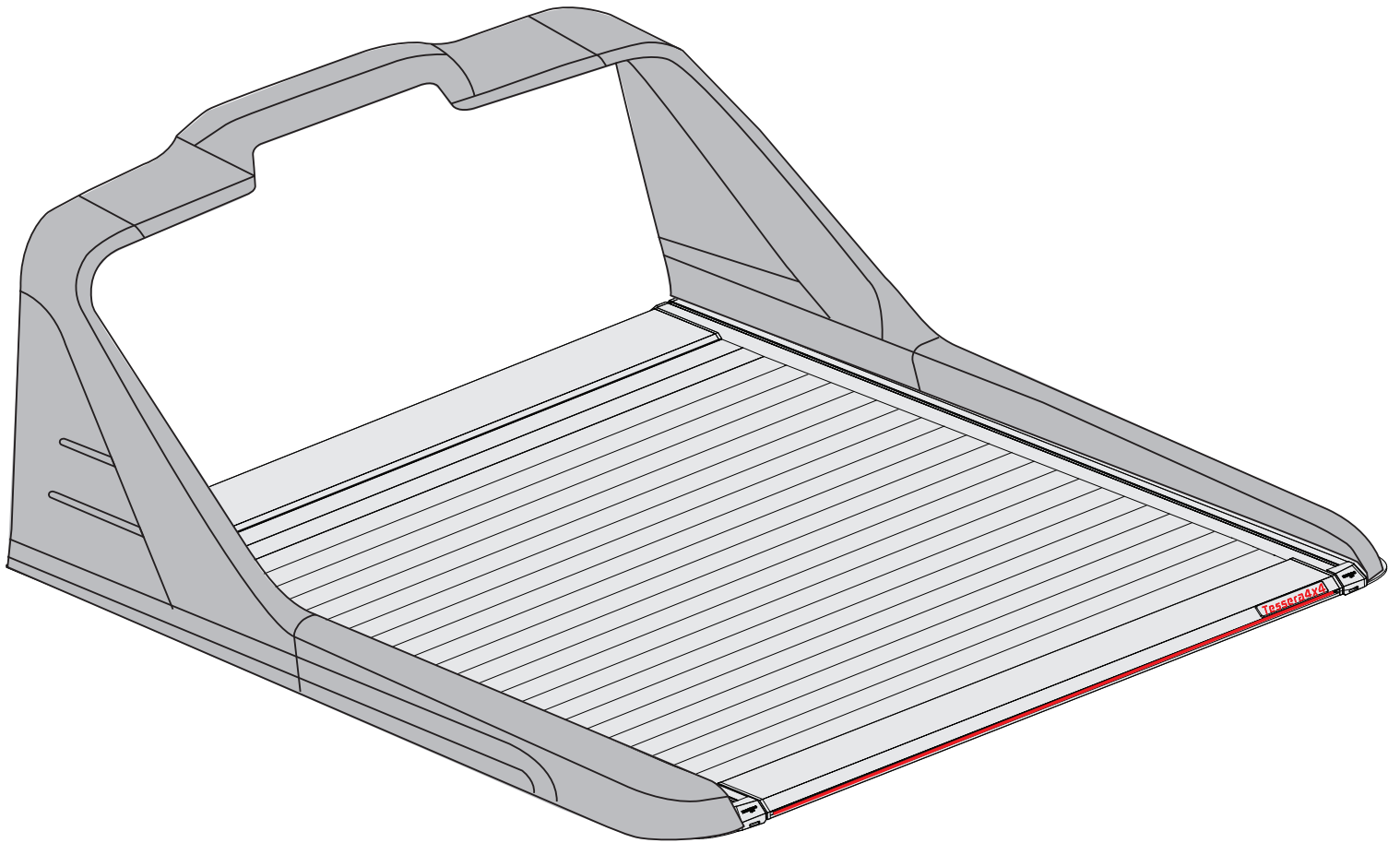


# Tessera Roll+

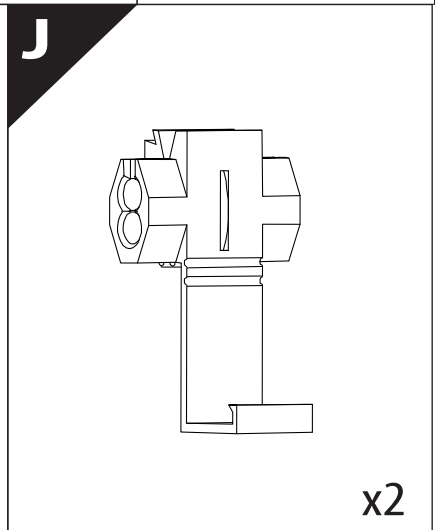
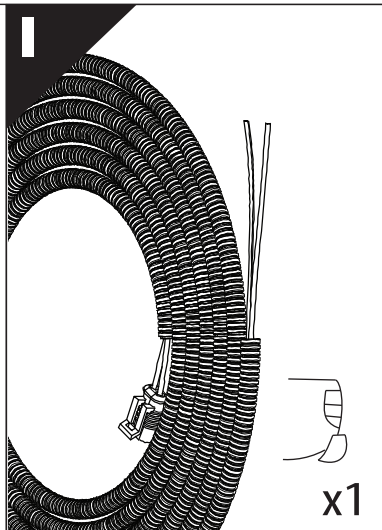
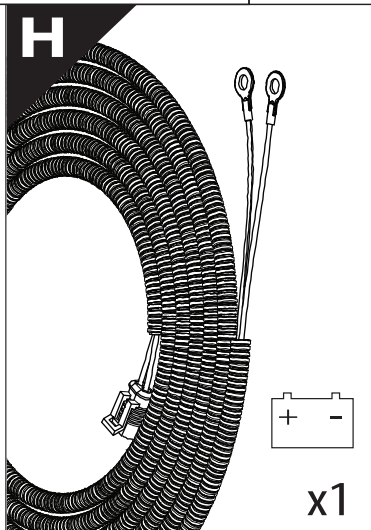
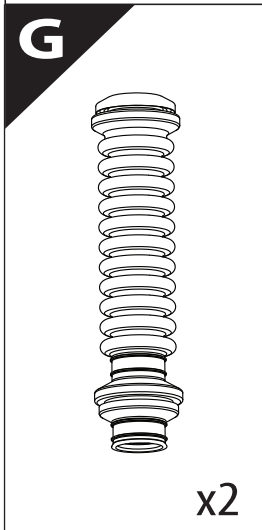
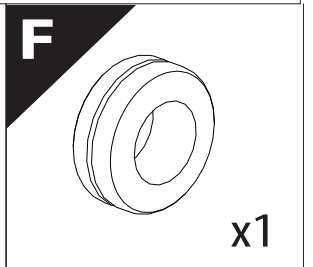
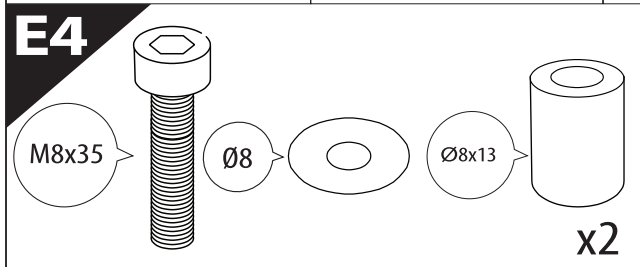
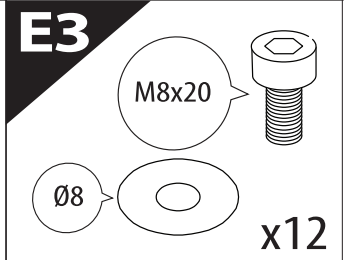
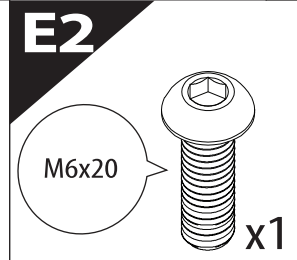
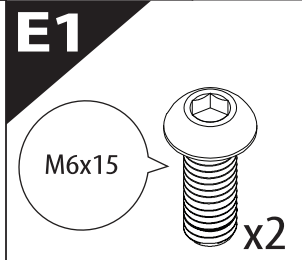
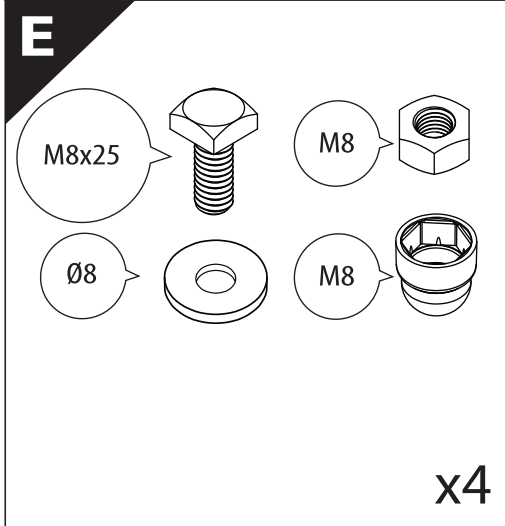
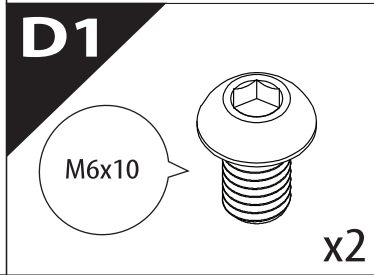
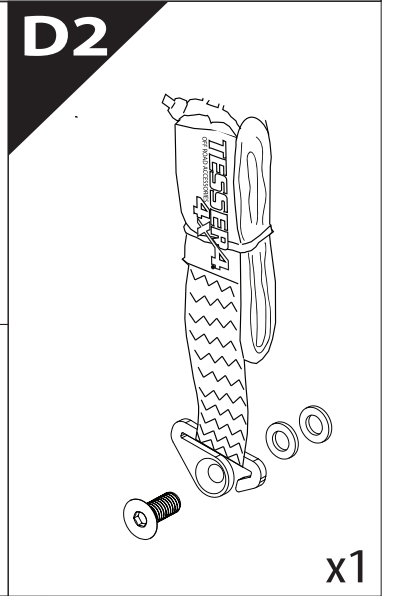
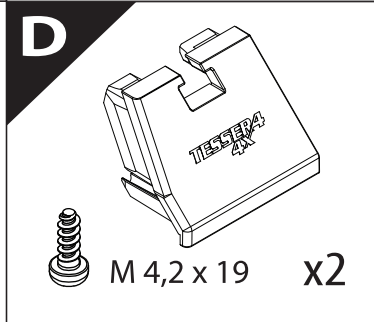
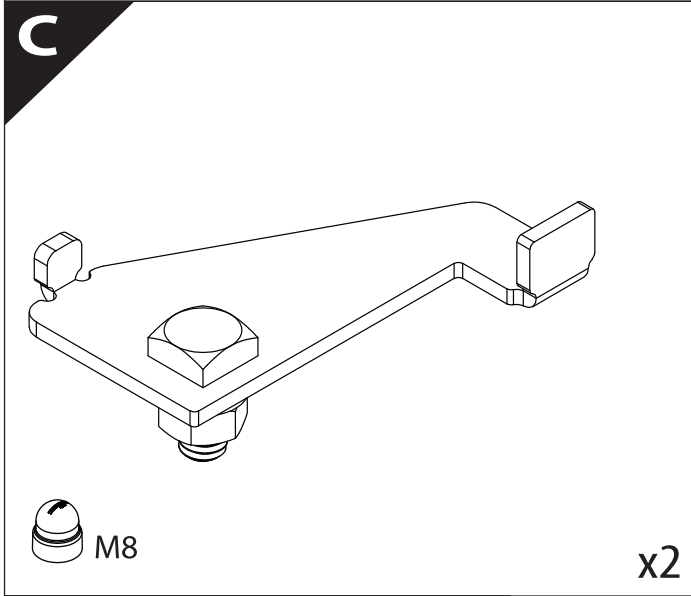
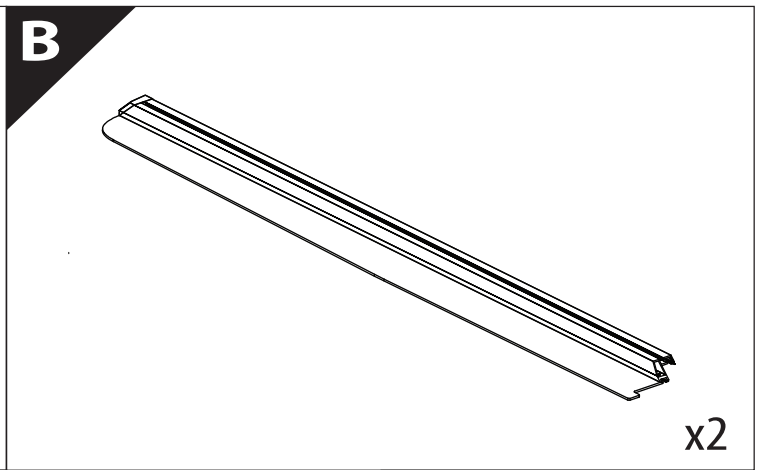
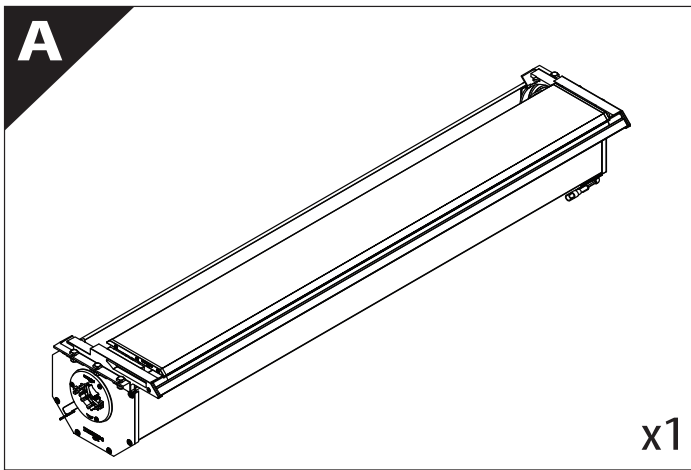
## Basic Version + ⚡ E-KIT

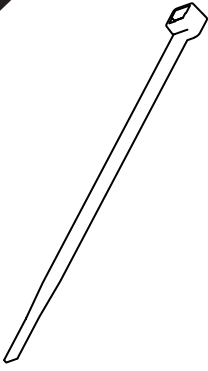
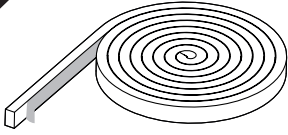
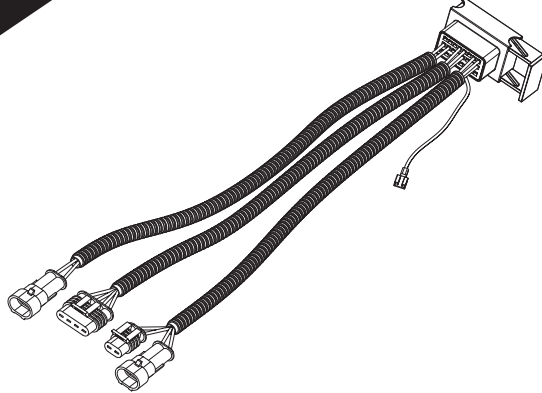
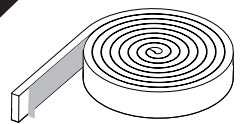


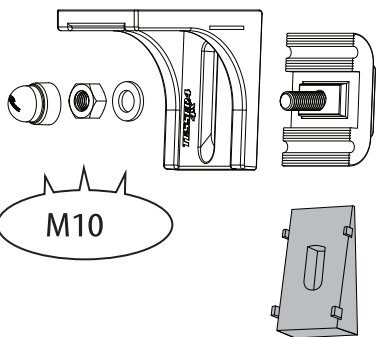
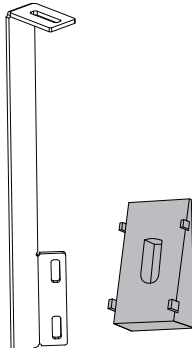
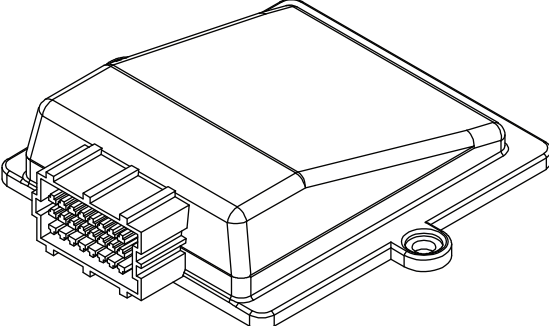
## Installation Manual

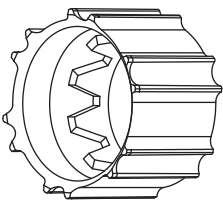
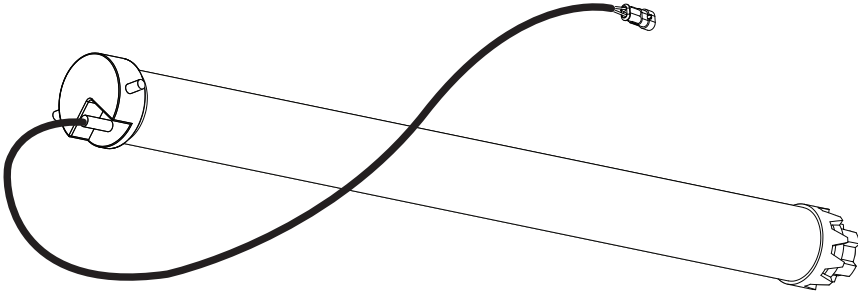
PART NUMBER(S)	Model Year
TESS 140411 ROLL+E-KIT	ISUZU DMAX 2021+ OEM ROLL BAR
Cab(s)	Installation Time / Weight
Double Cab	40-60 minutes / 53-57 kg

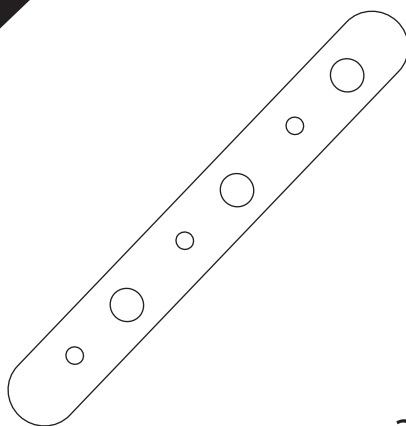
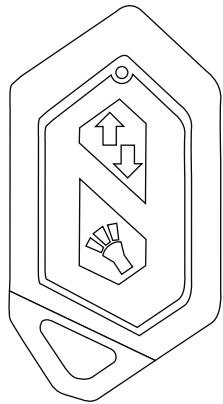



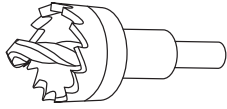


<p><b>K</b></p>  <p>x20</p>	<p><b>L1</b></p>  <p>1.5 x 0.8 x 400cm</p> <p>x1</p>	<p><b>M2</b></p>  <p>x1</p>
<p><b>L2</b></p>  <p>5 x 0.8 x 167cm</p> <p>x1</p>		

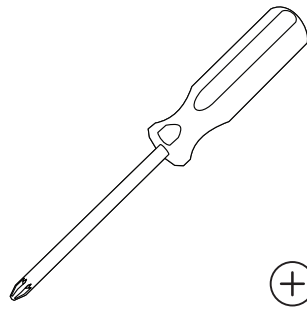
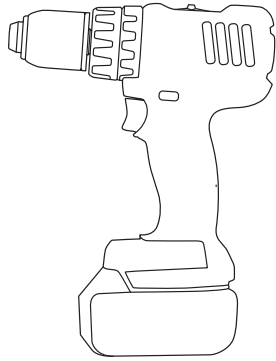
<p><b>N</b></p>  <p>M10</p> <p>x2</p>	<p><b>O</b></p>  <p>x2</p>	<p><b>P</b></p>  <p>x1</p>
---	--	---

<p><b>Q</b></p>  <p>x1</p>	<p><b>R</b></p>  <p>x1</p>
---	--

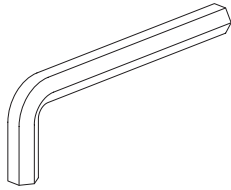
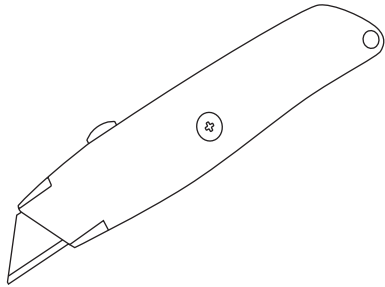
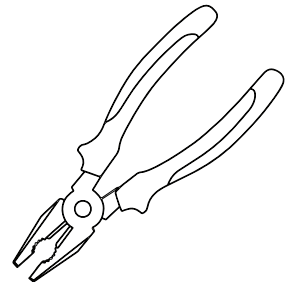
<p><b>S</b></p>  <p>x2</p>	<p><b>T</b></p>  <p>x2</p>	<p><b>U</b></p>  <p>x2</p>
---	---	---



Ø 25 mm / Ø 40 mm

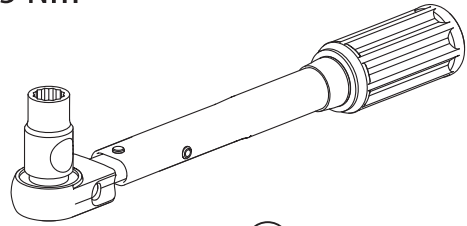


+

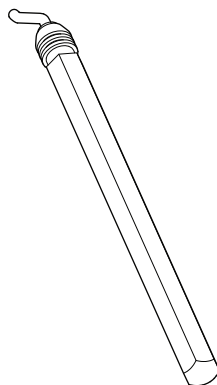
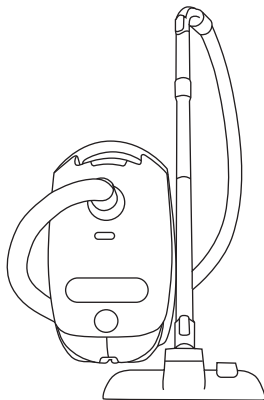
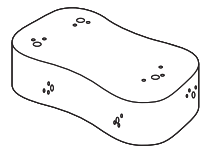
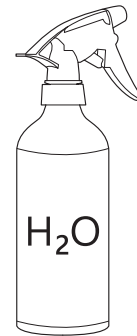
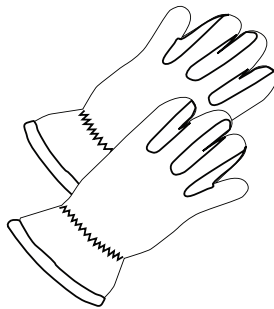
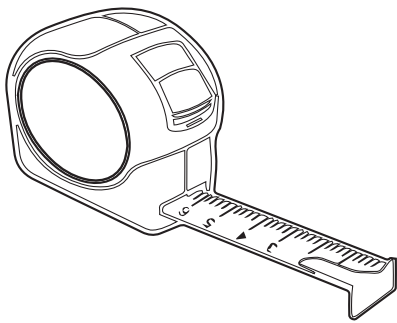


4 mm

1 - 25 Nm



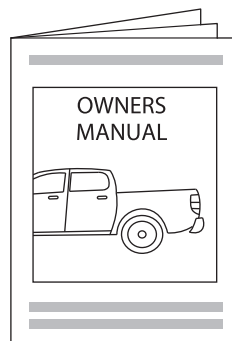
12, 13, 17 mm



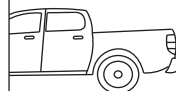
ANTI-RUST



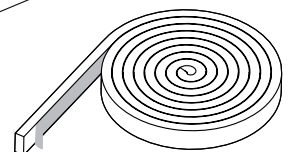
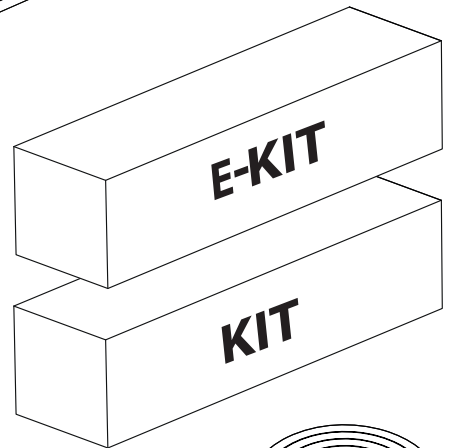
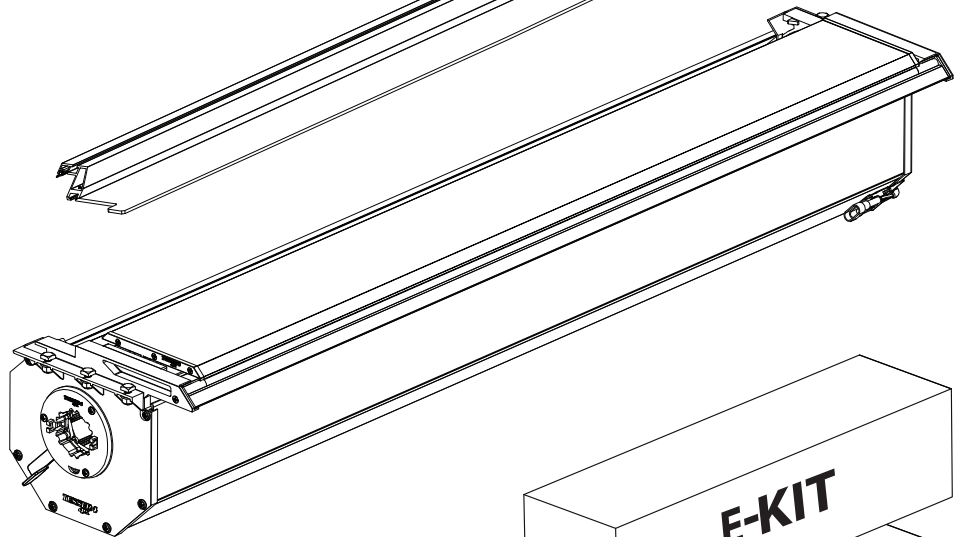
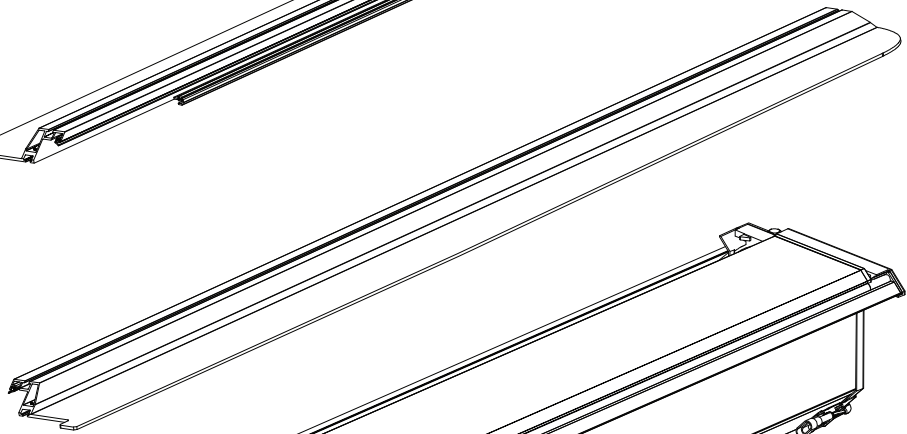
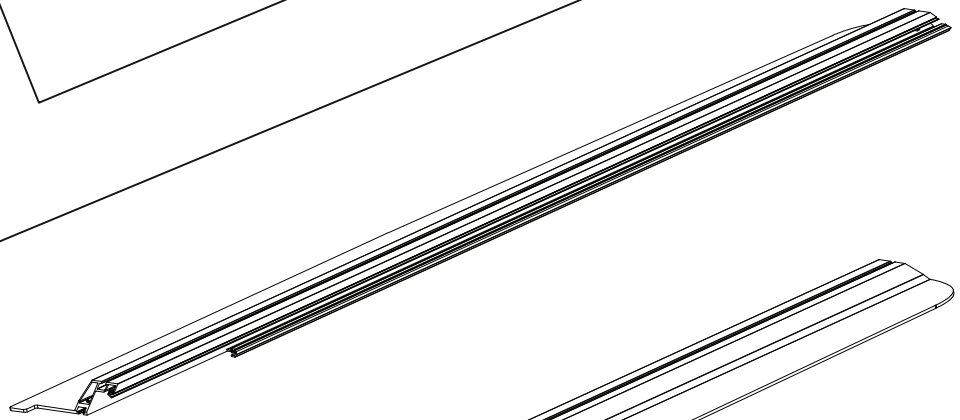
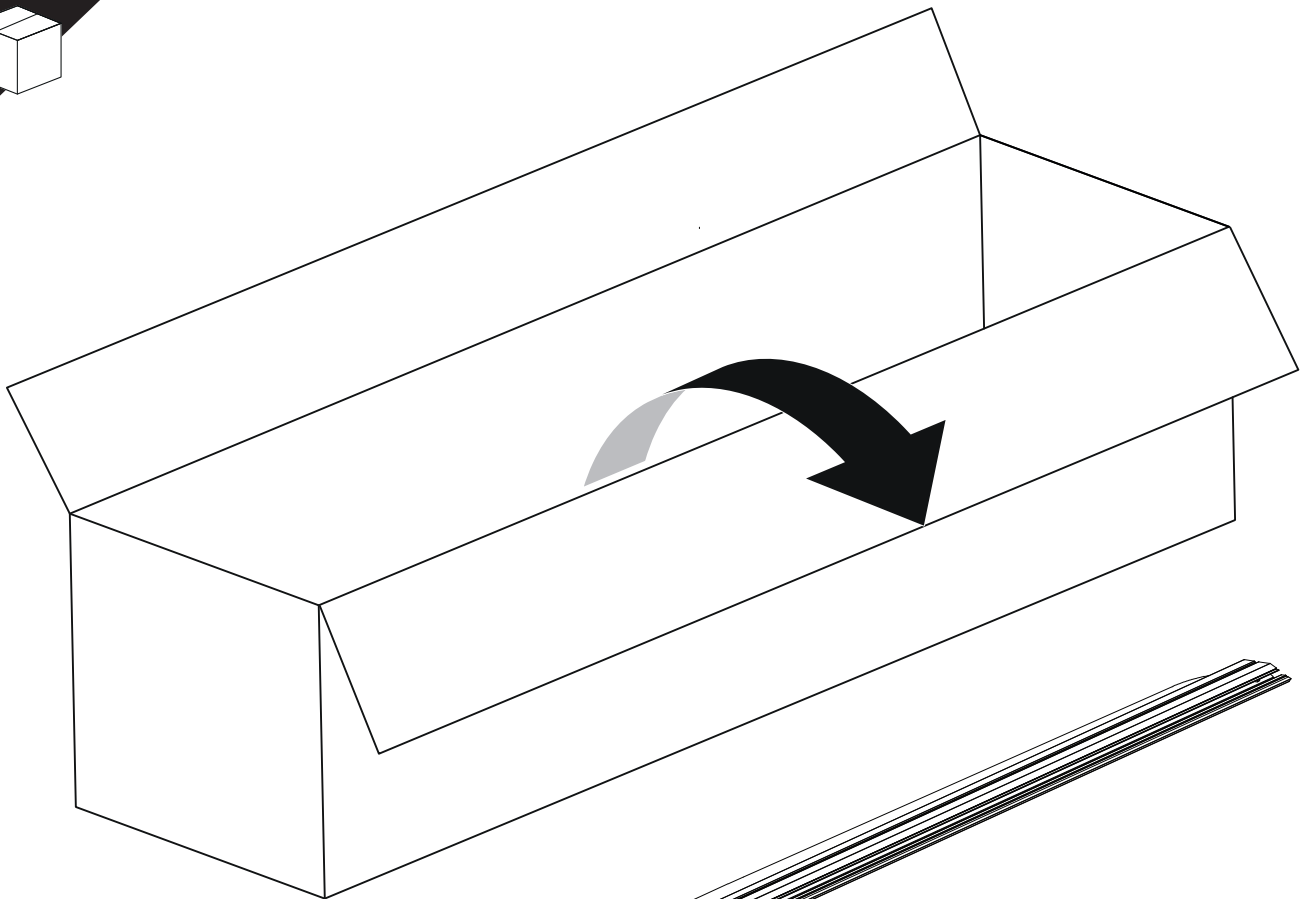
INSTALATION  
MANUAL  
+E-KIT



OWNERS  
MANUAL



x1

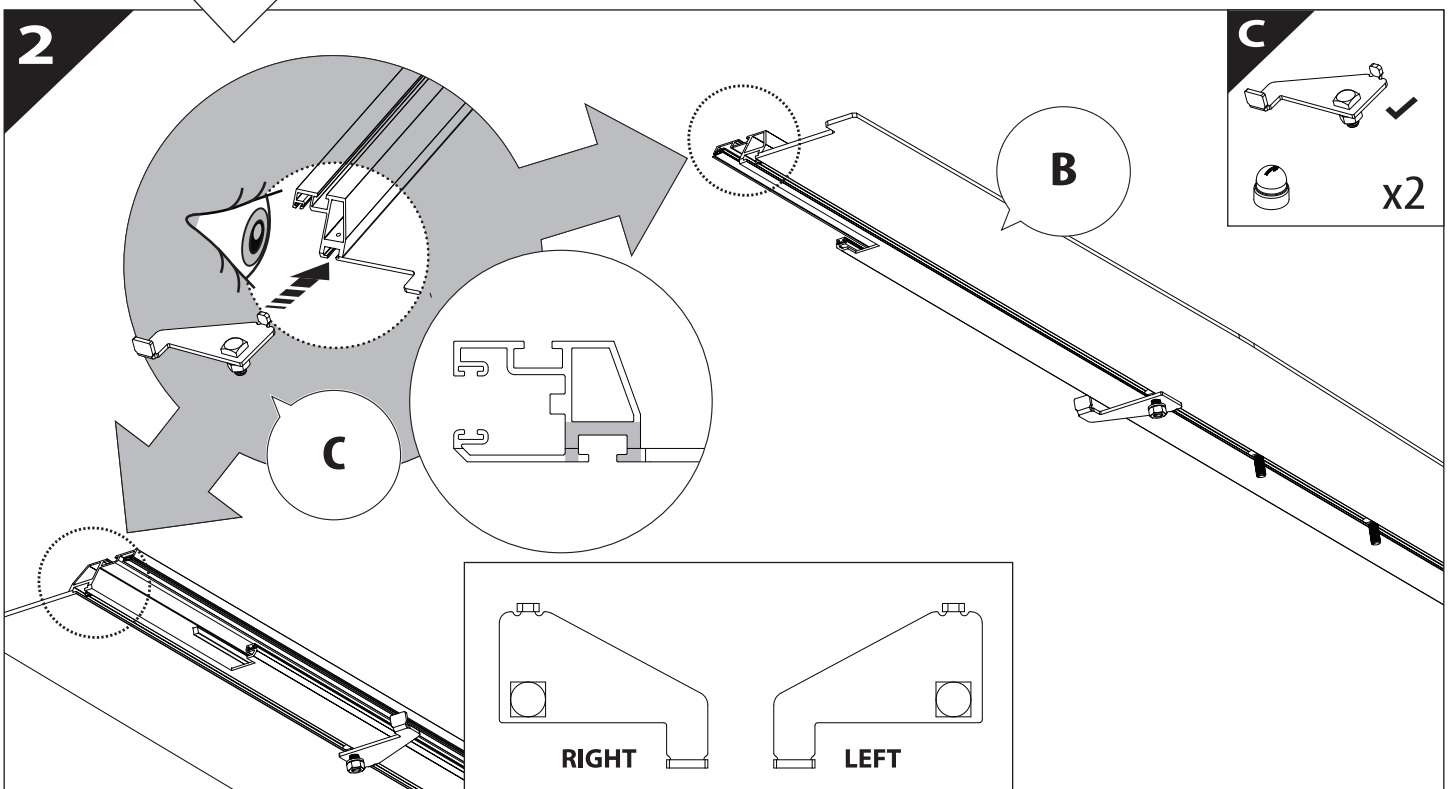
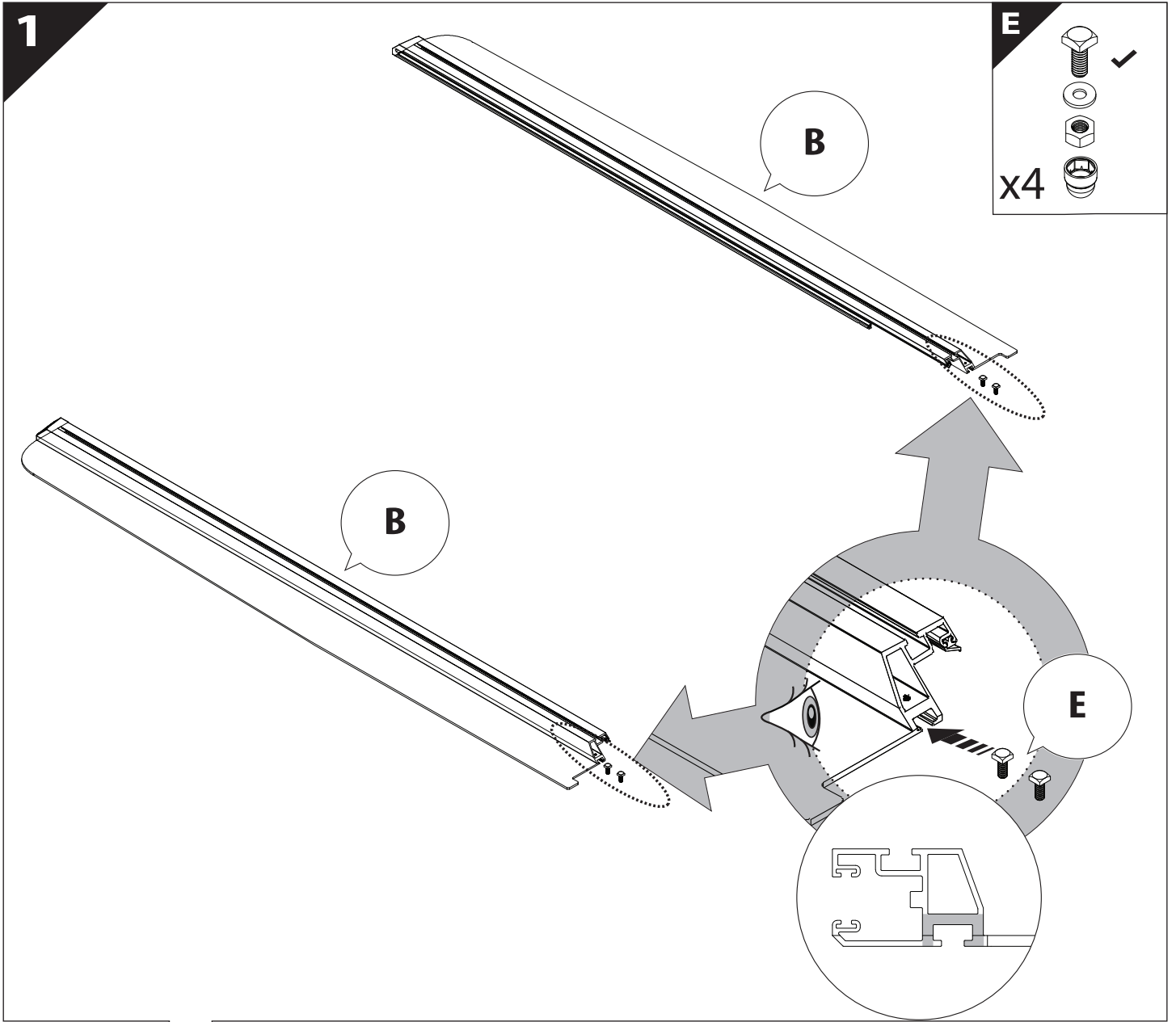


**B**

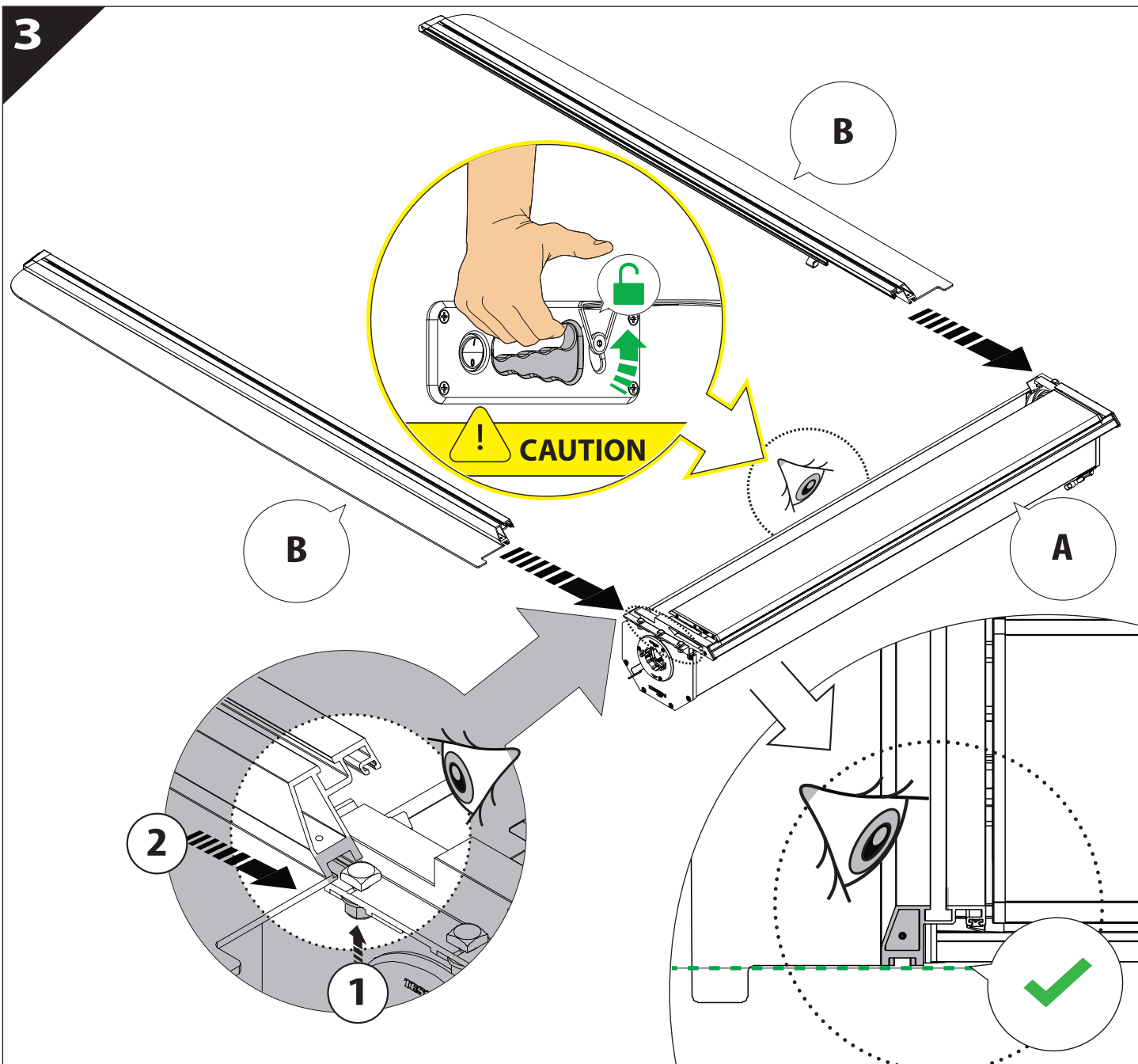
**A**

**KITS**

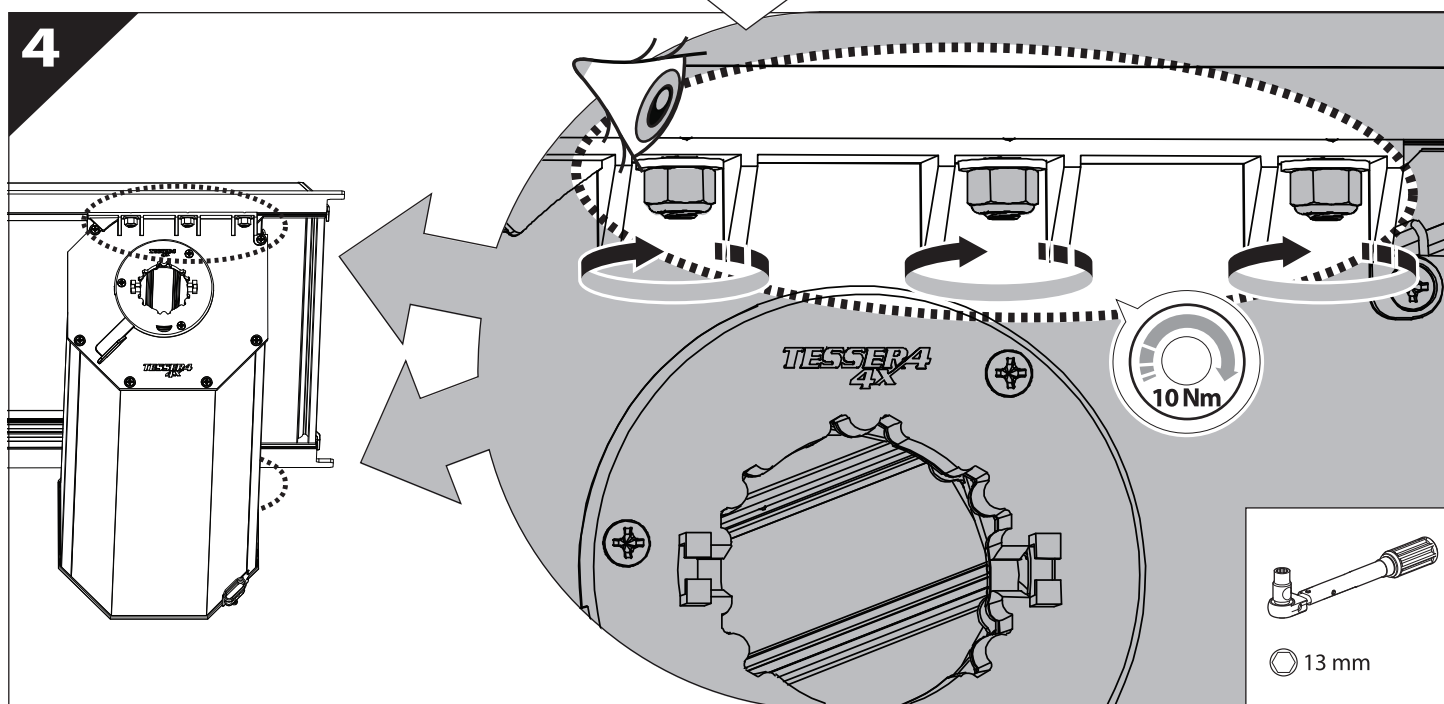
**L**

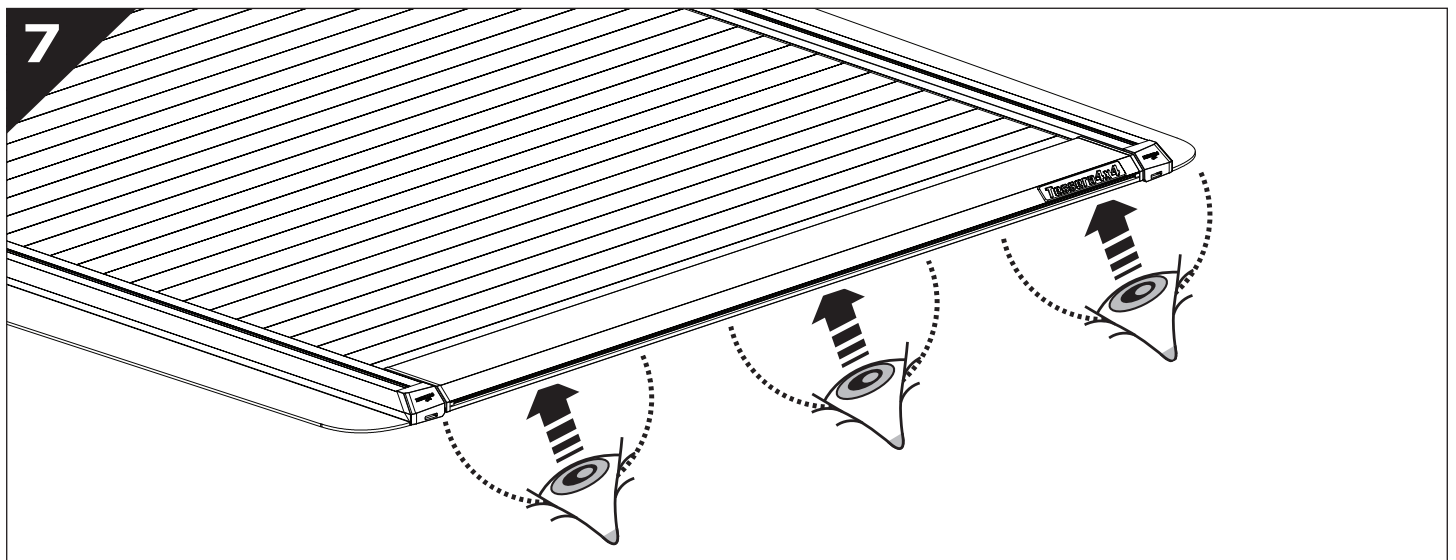
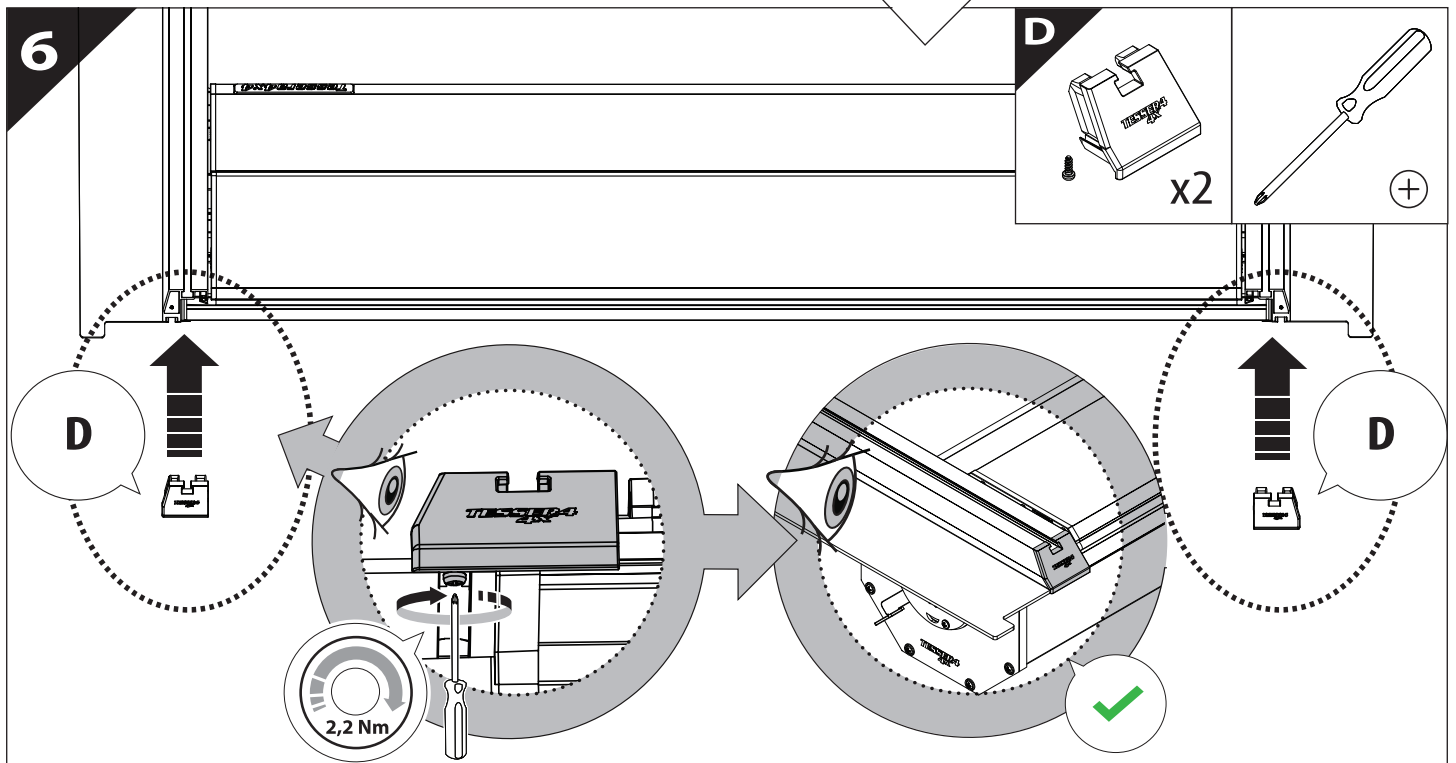
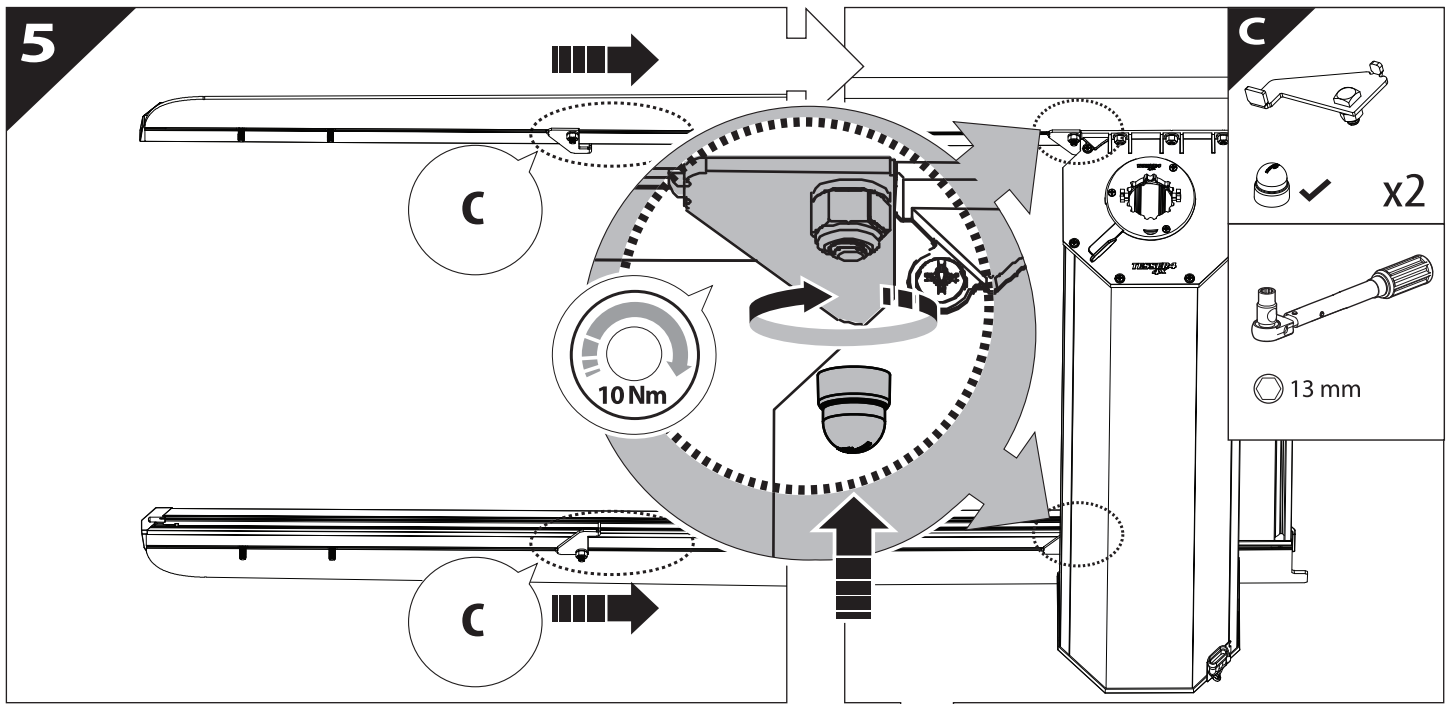


3

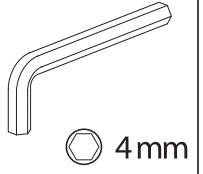
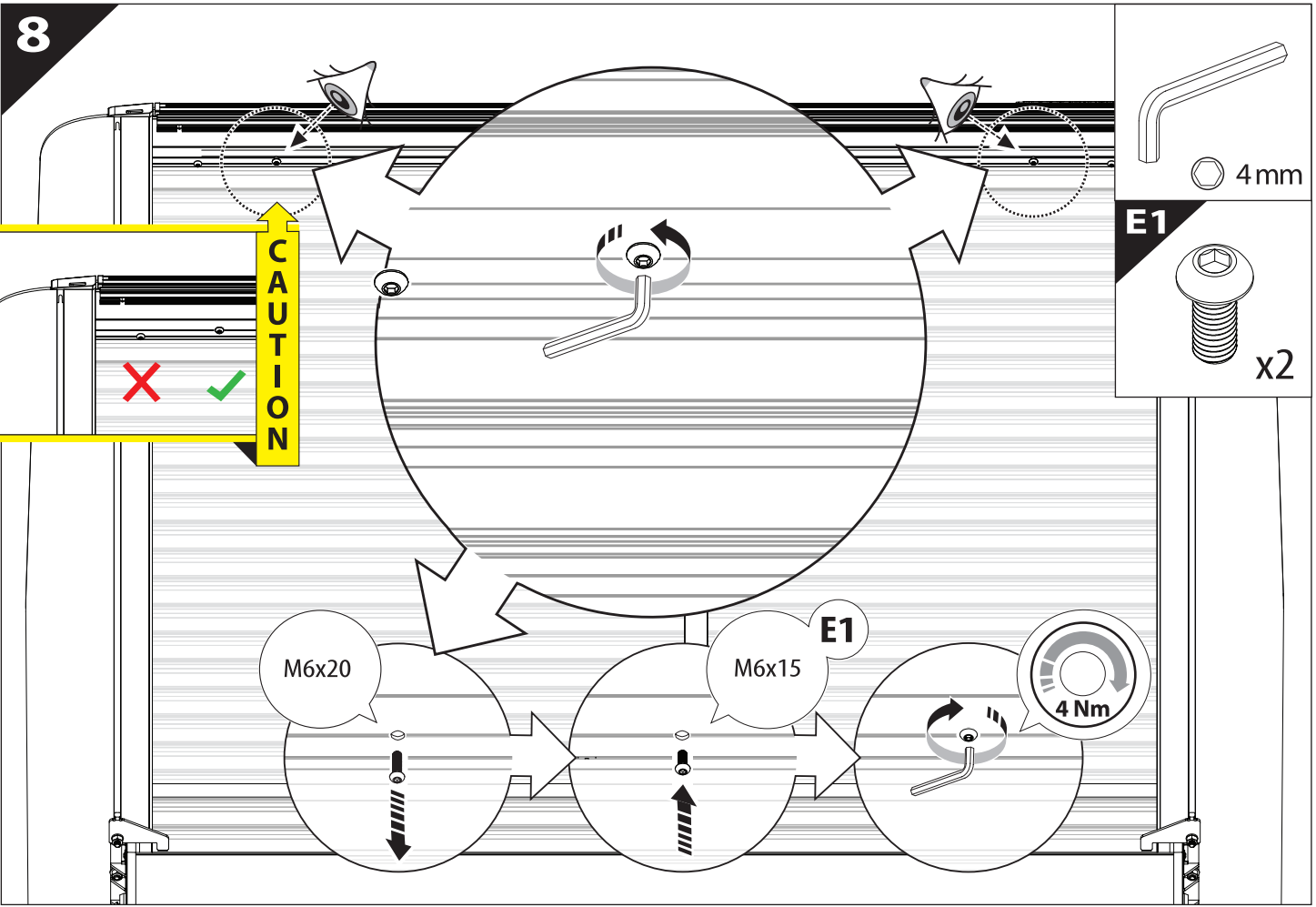
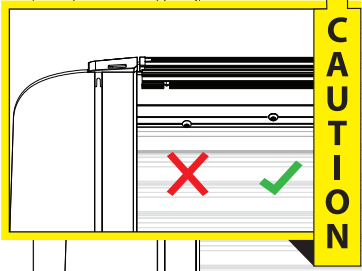


4

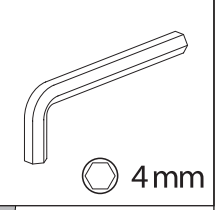
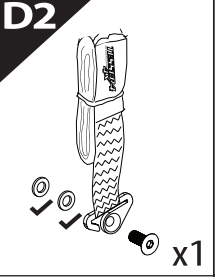
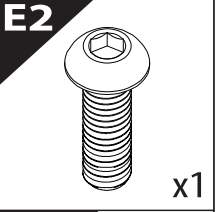
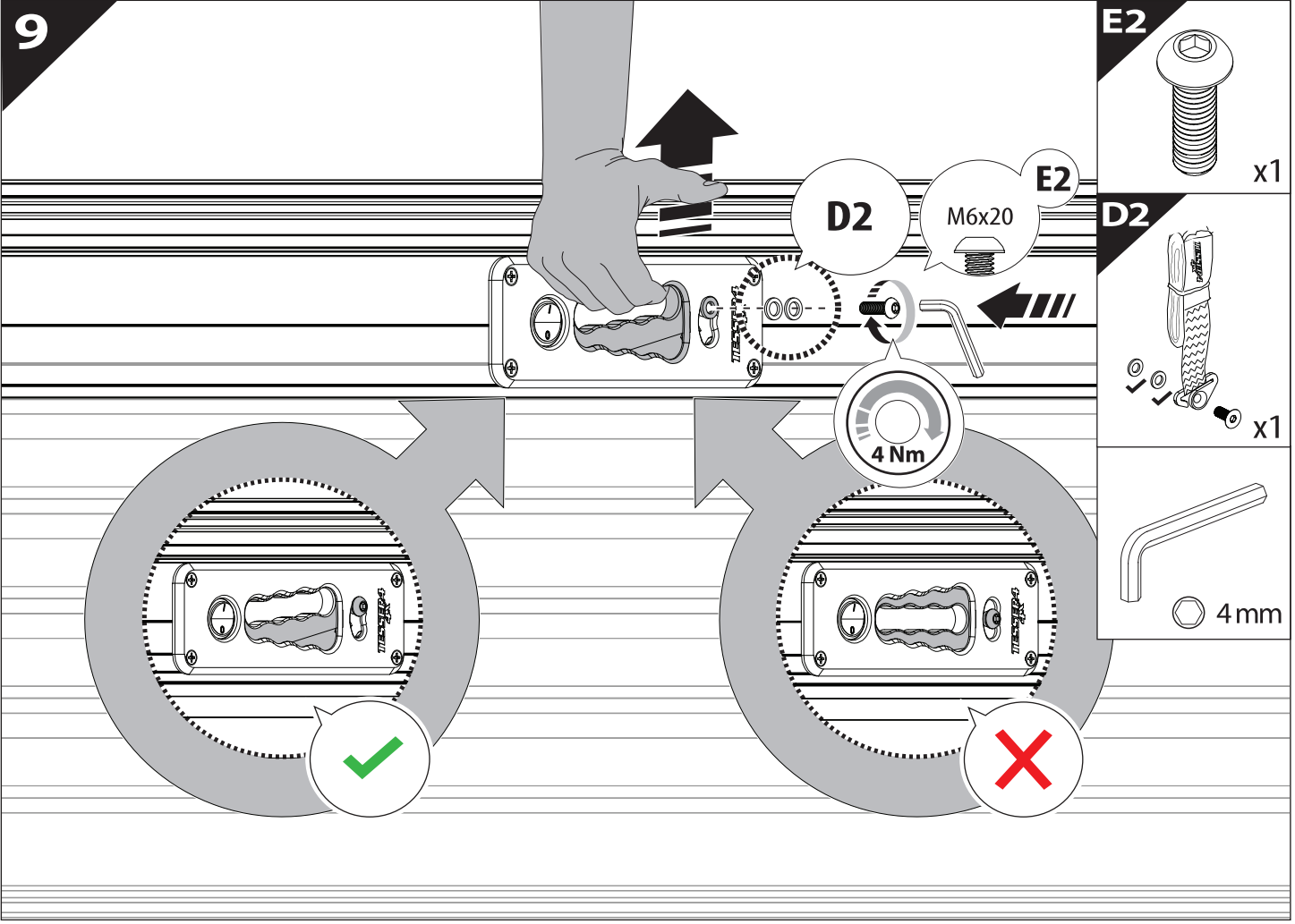




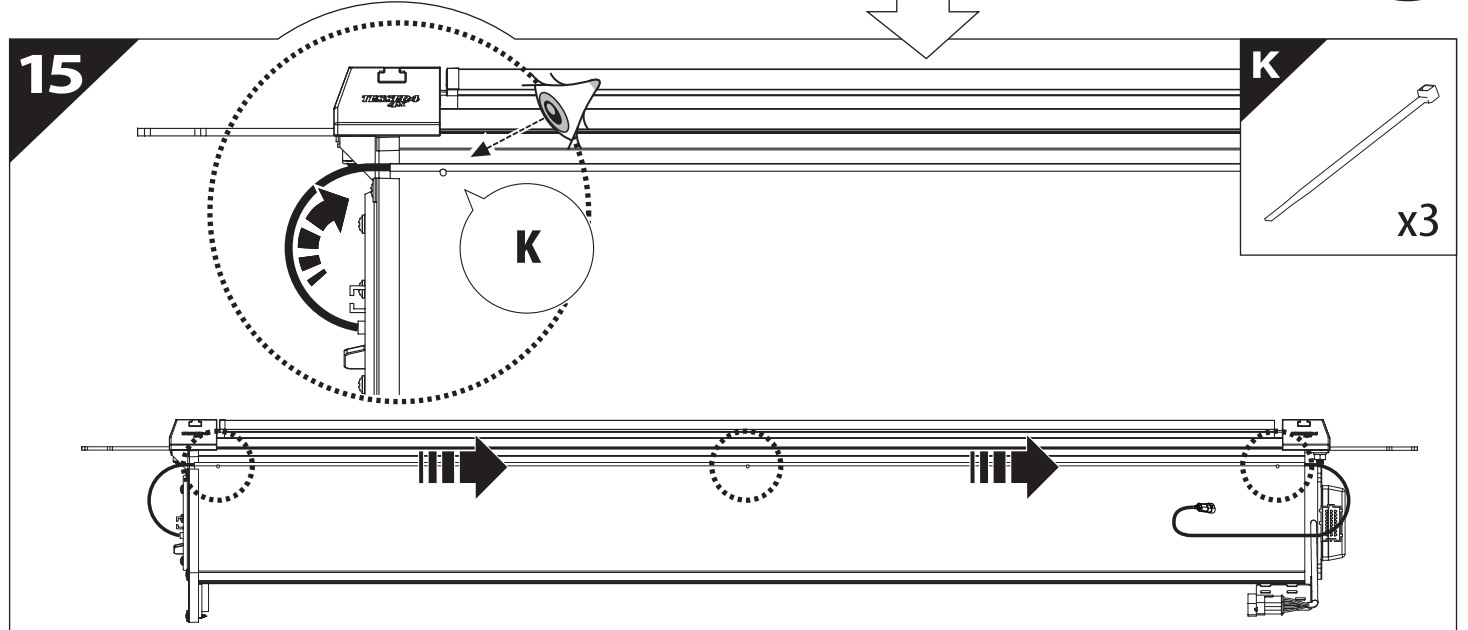
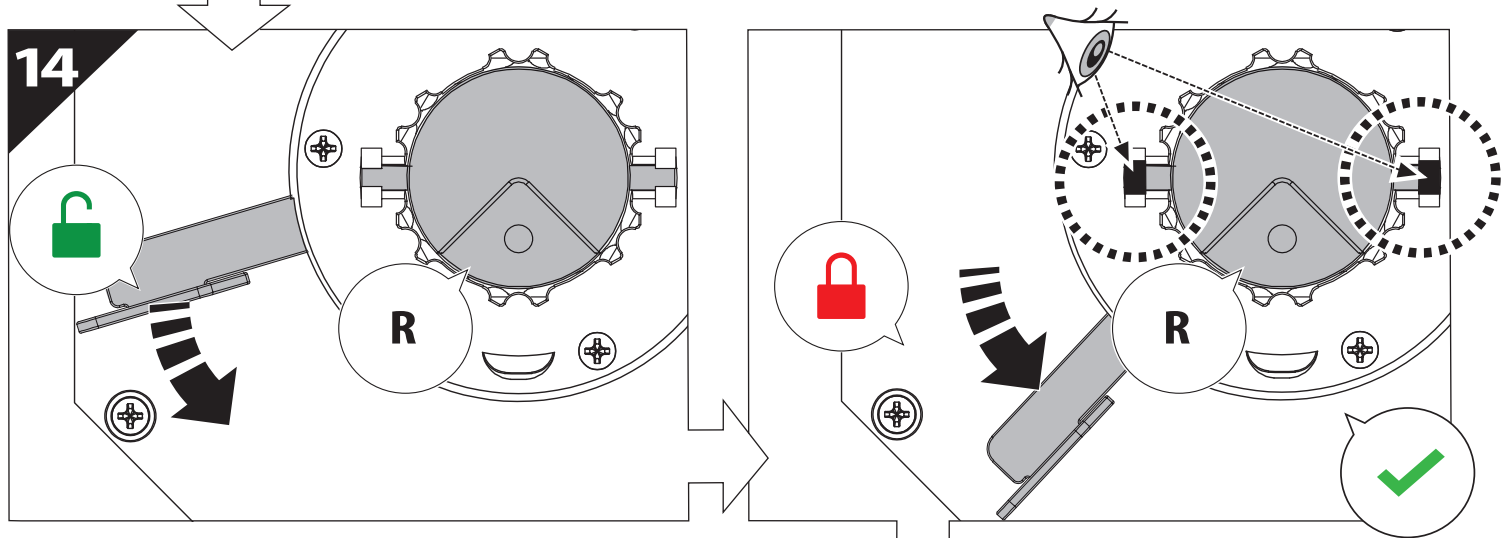
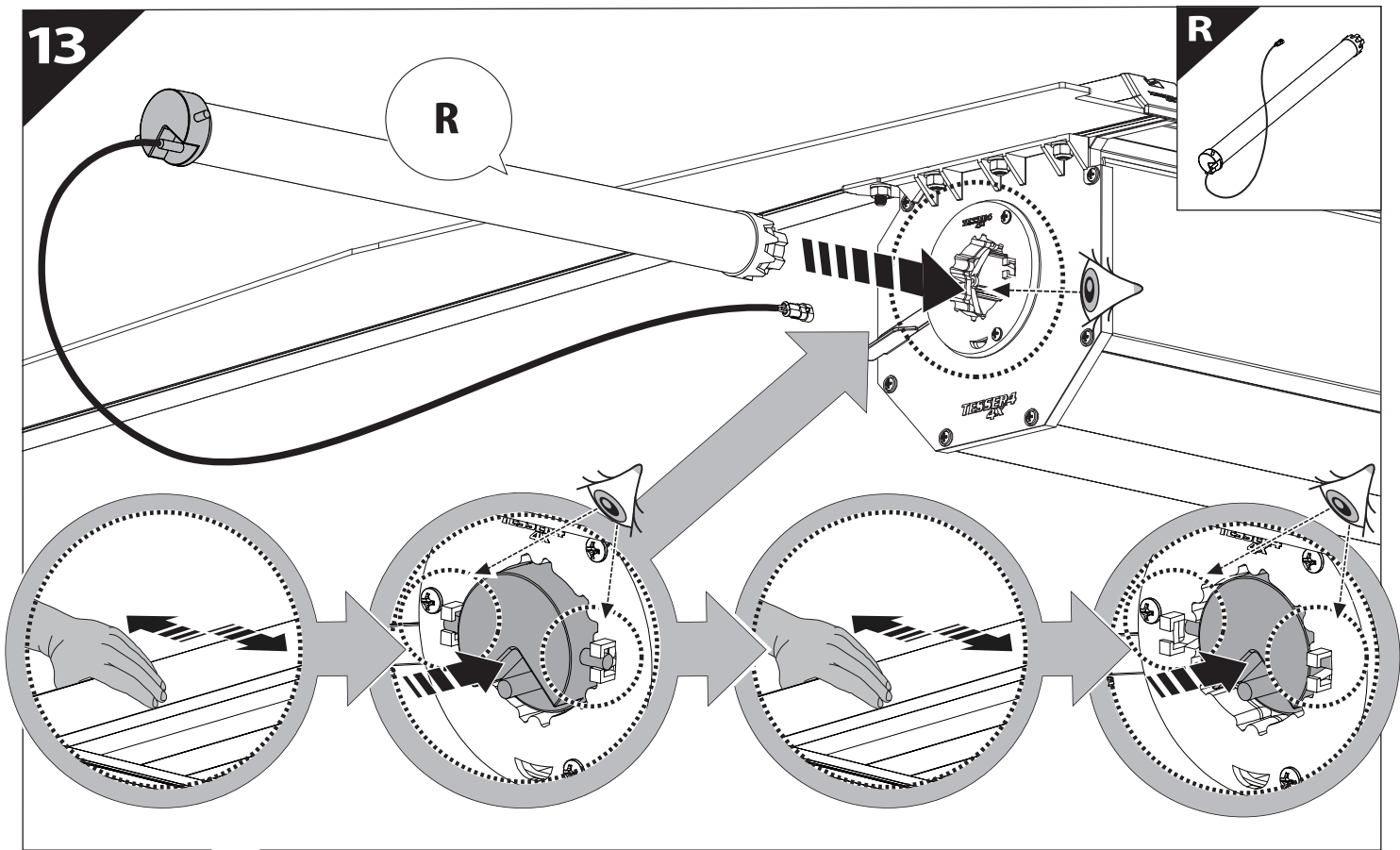
8



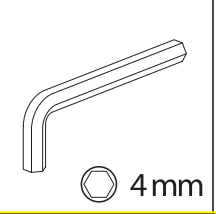
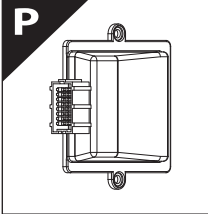
9





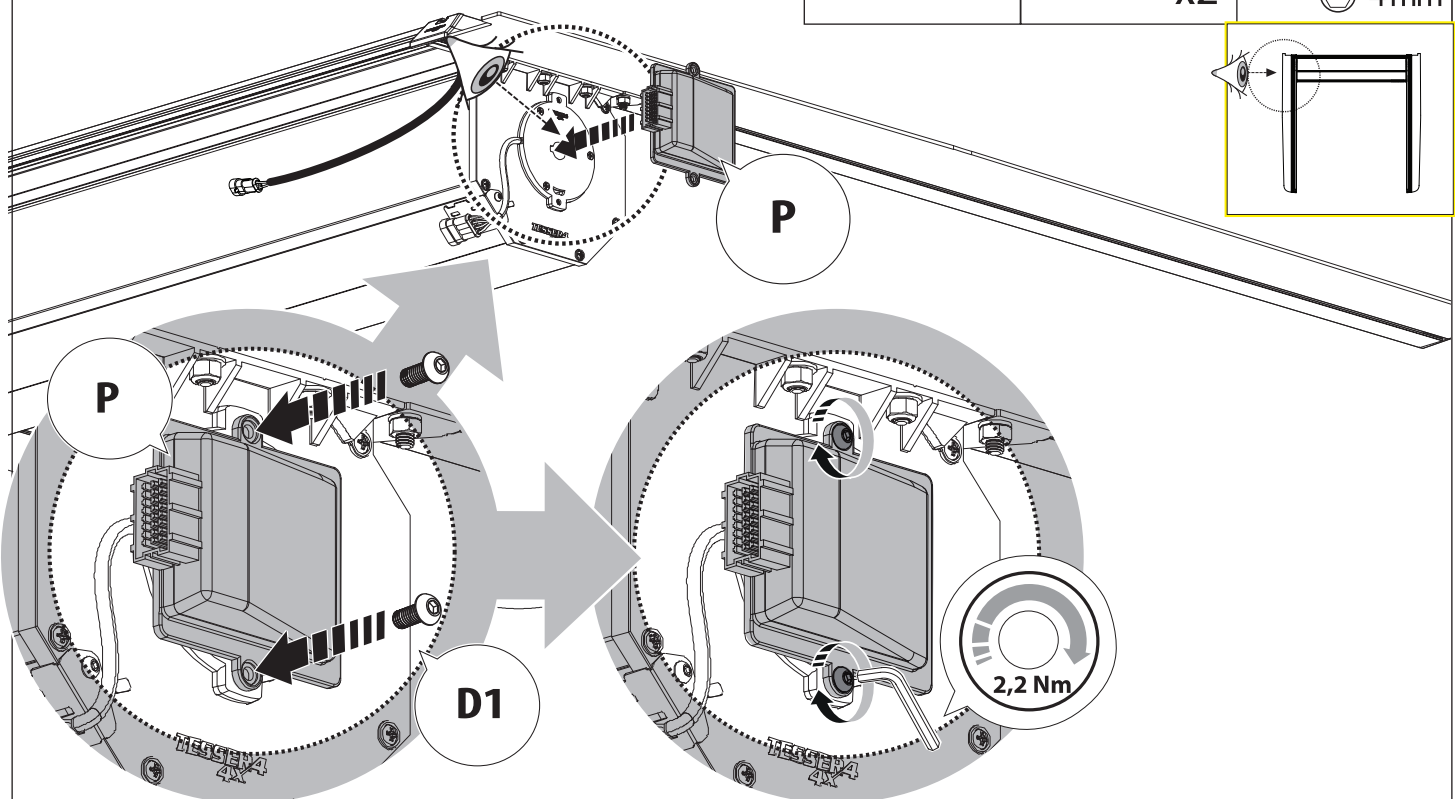
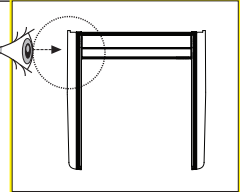


16

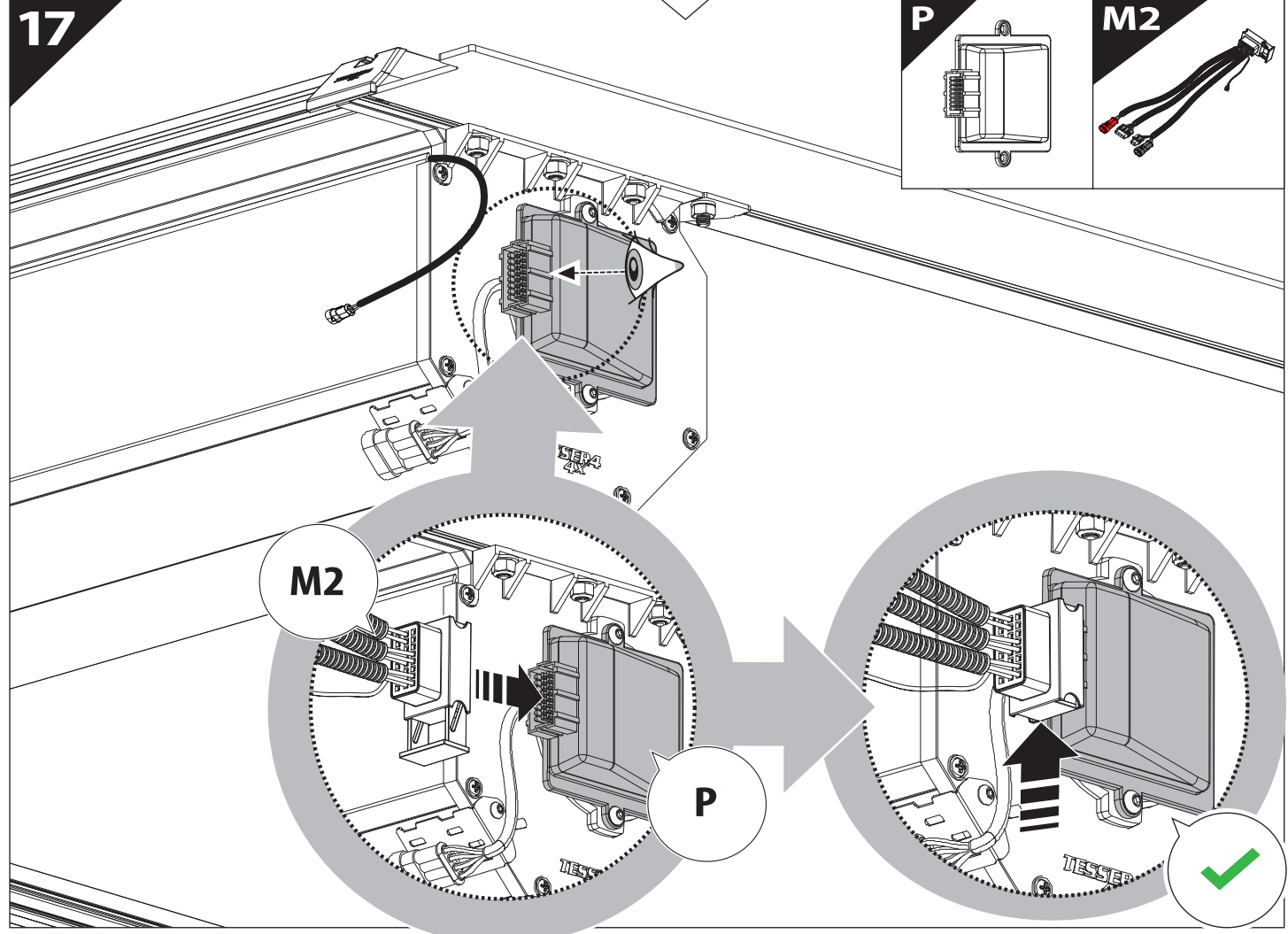
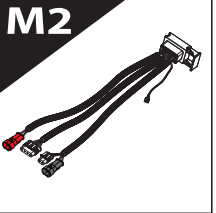
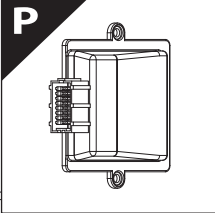


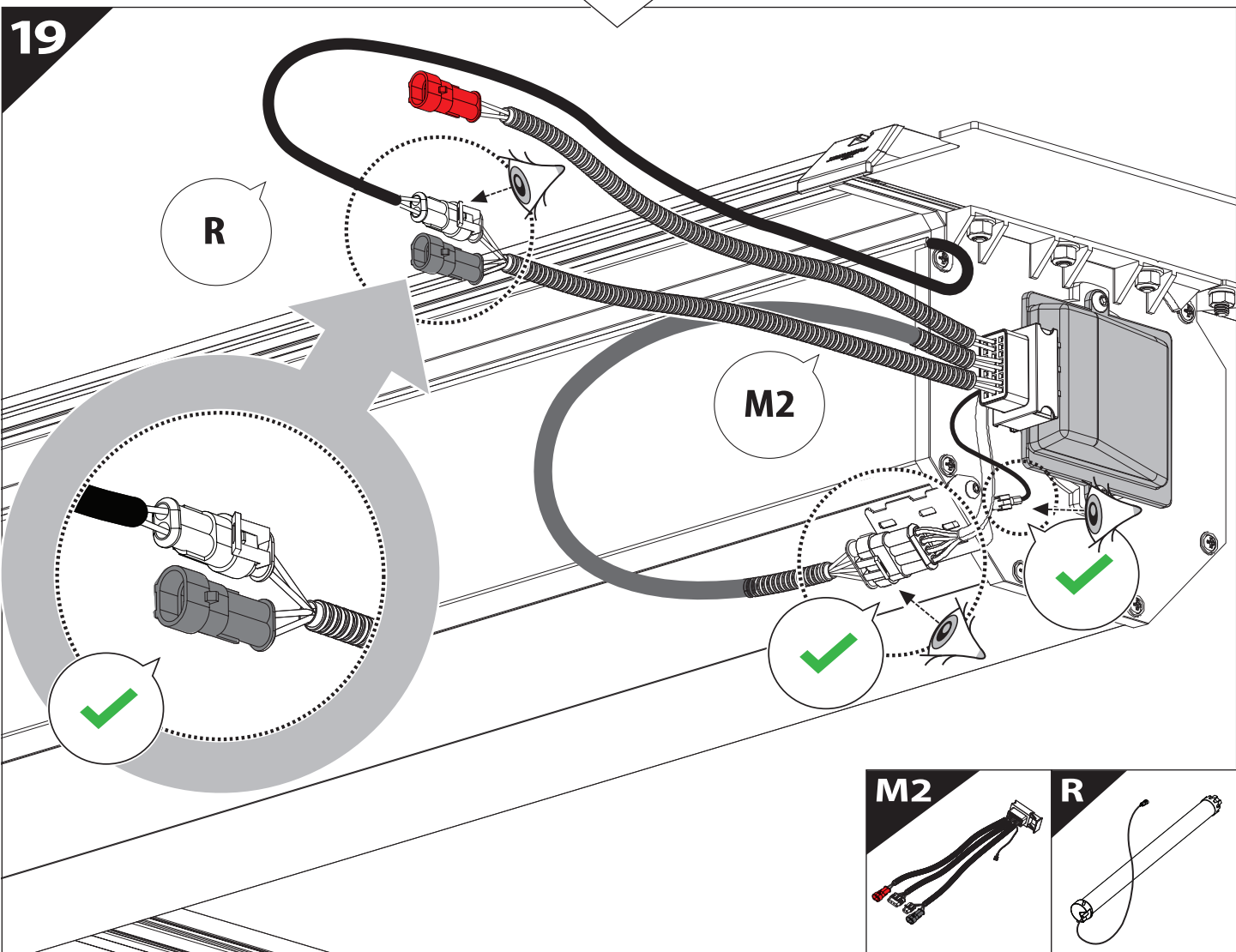
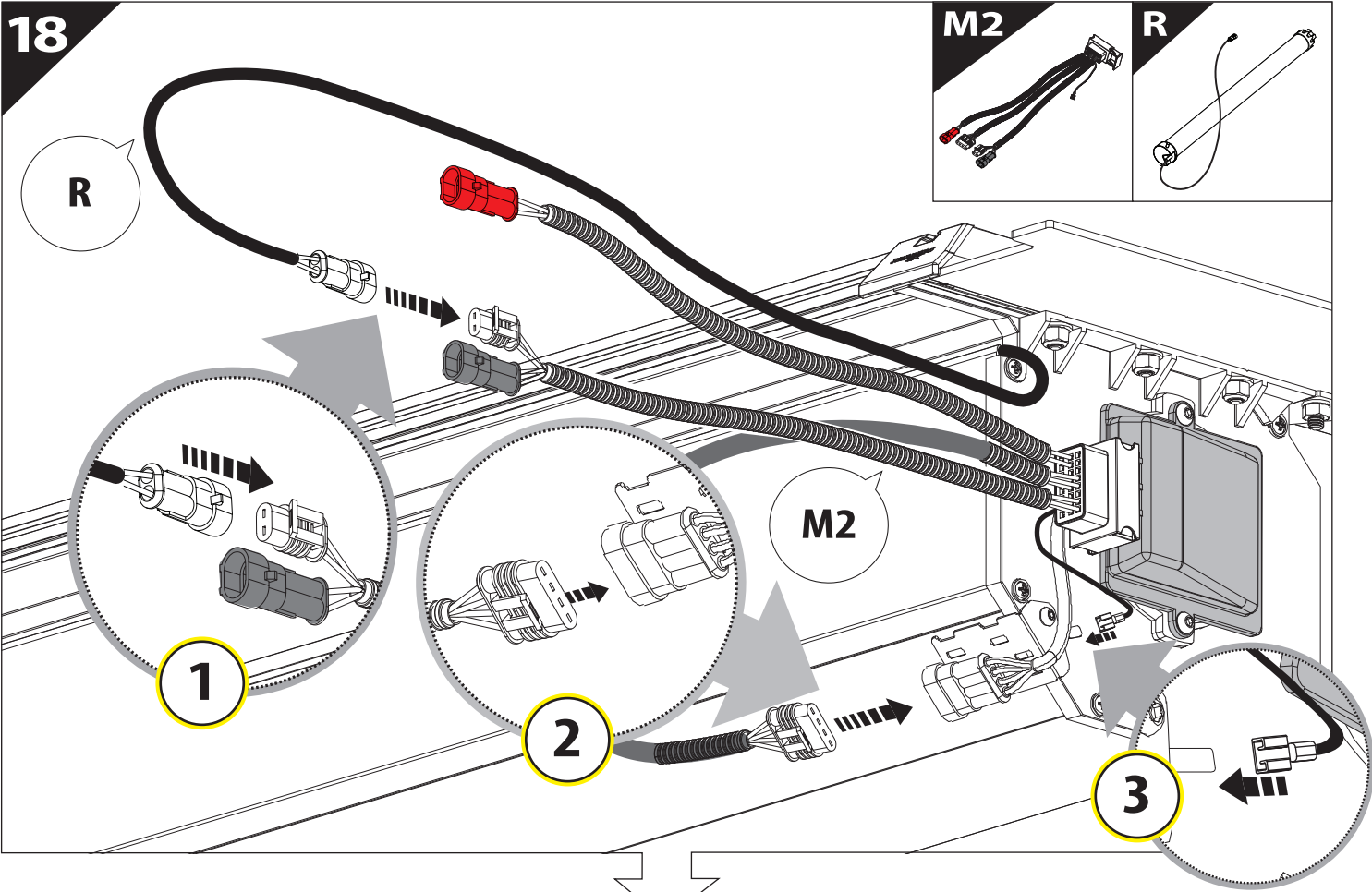
x2

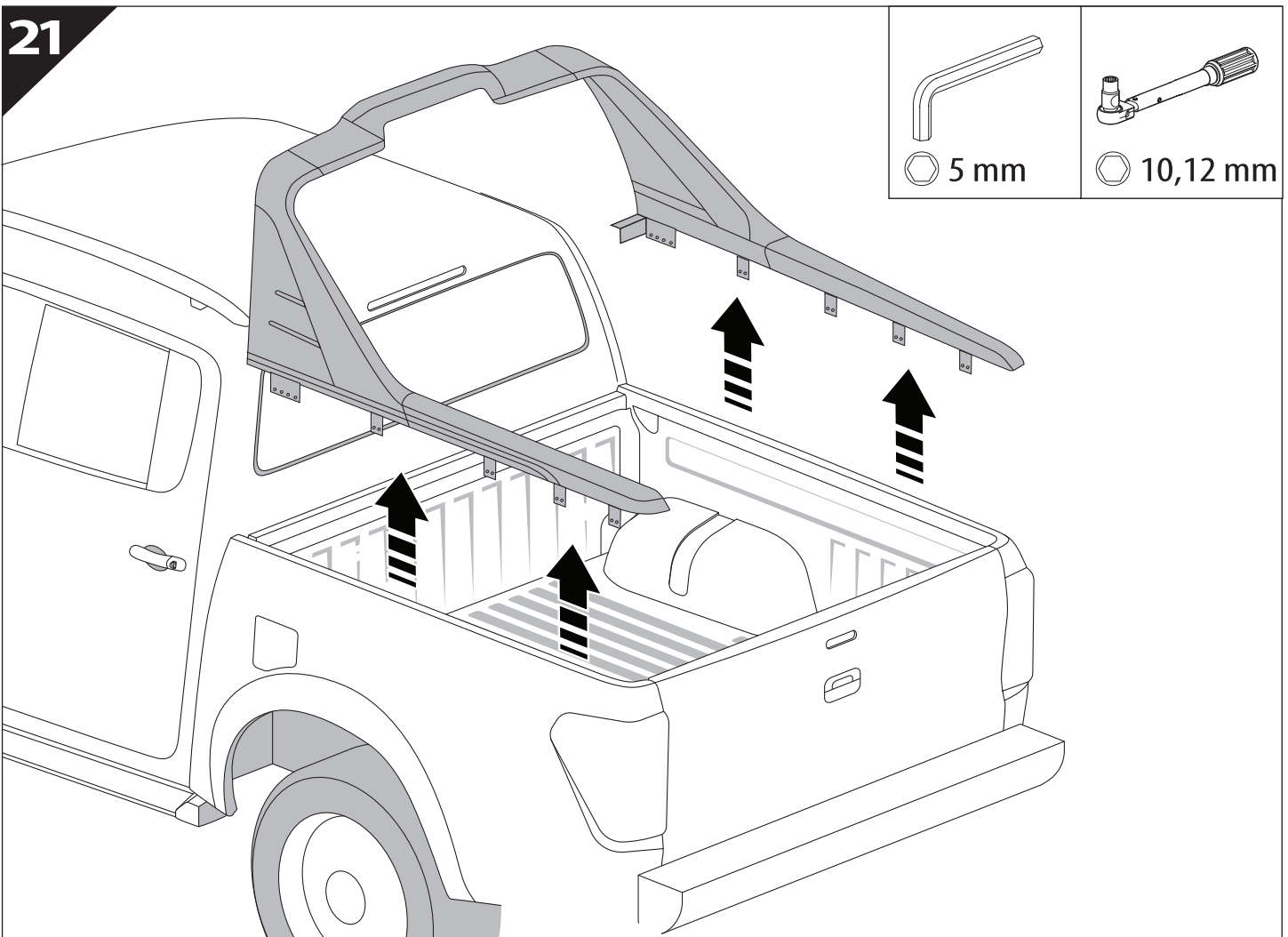
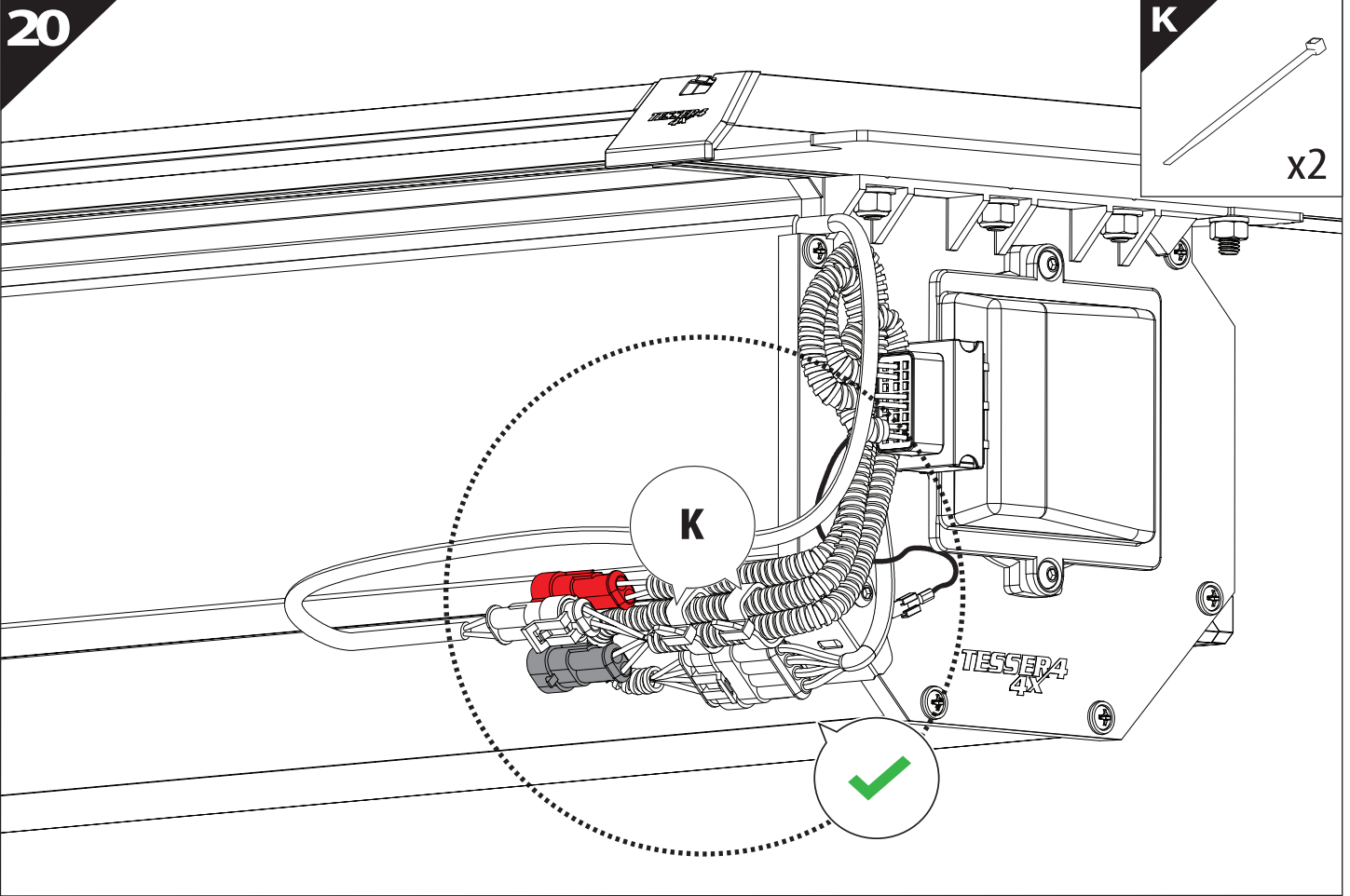
4mm



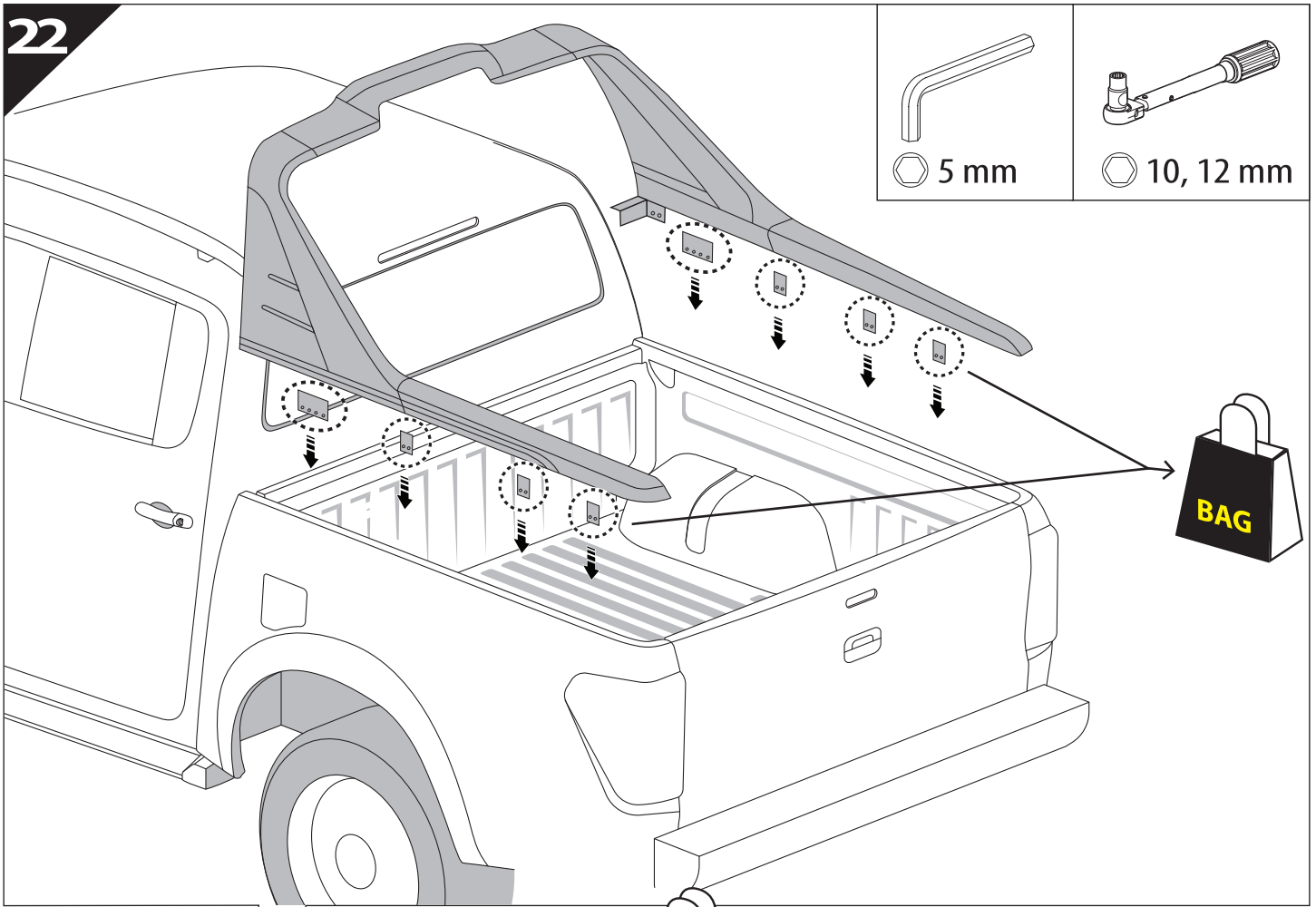
17



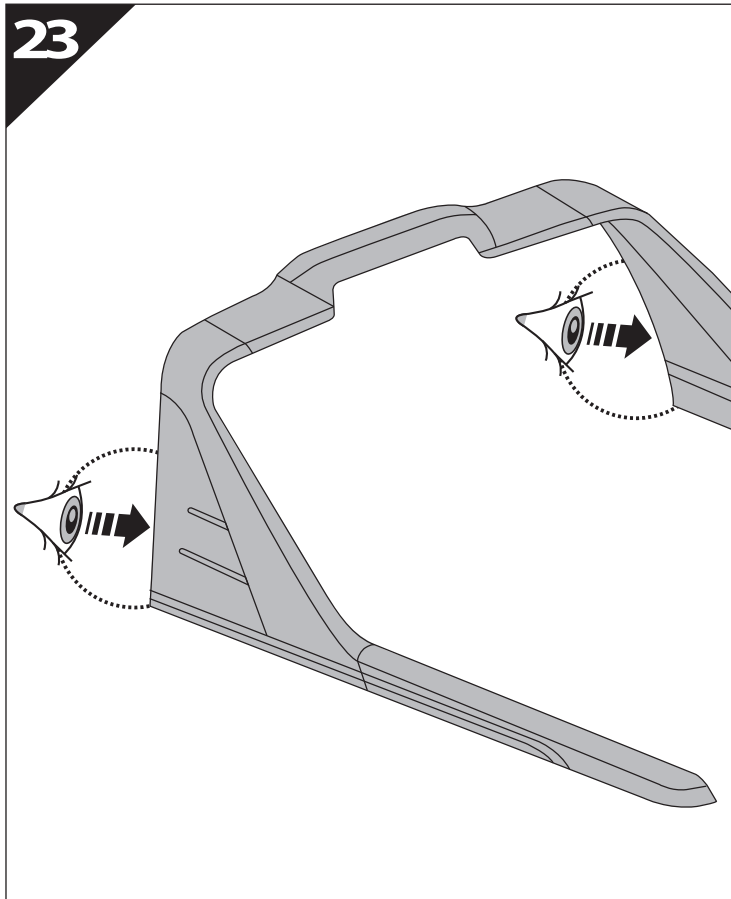




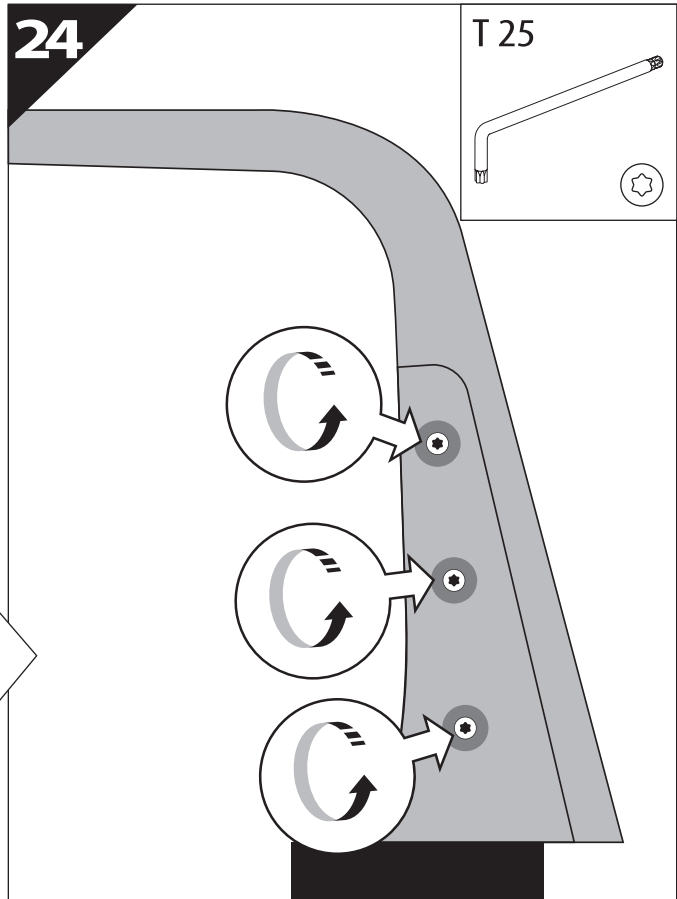
22

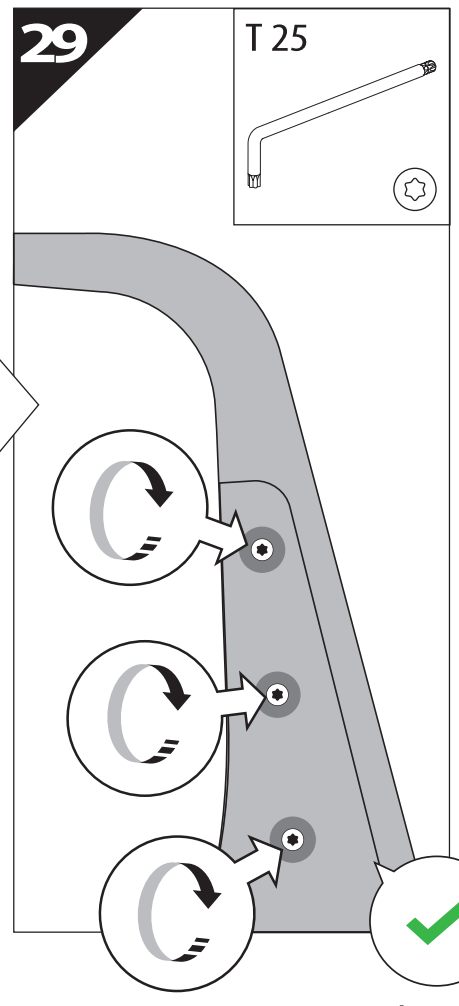
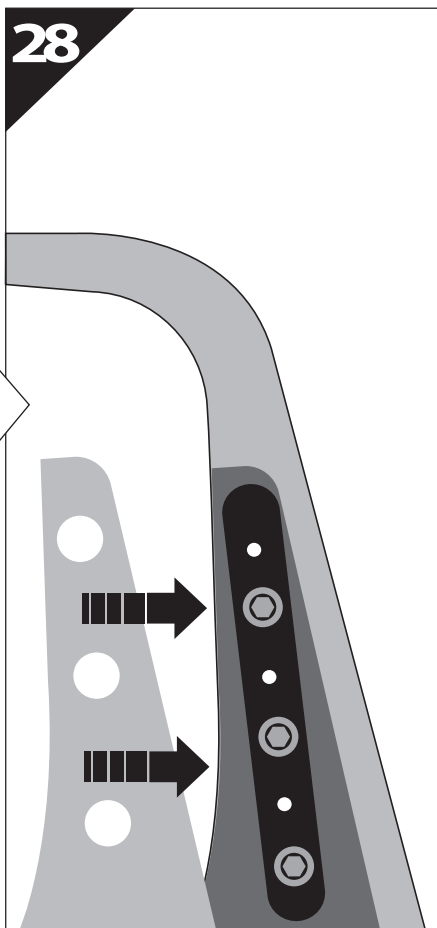
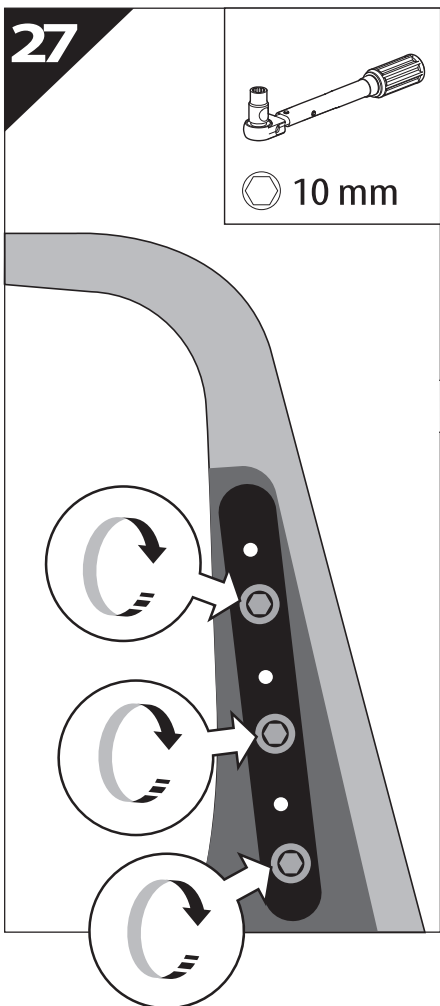
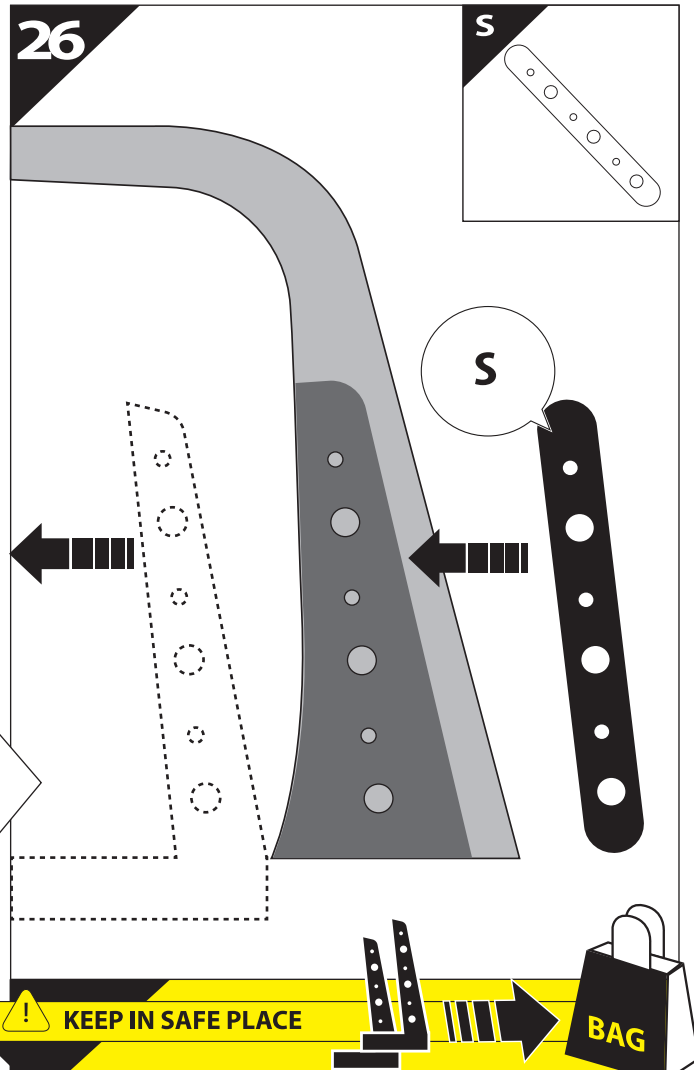
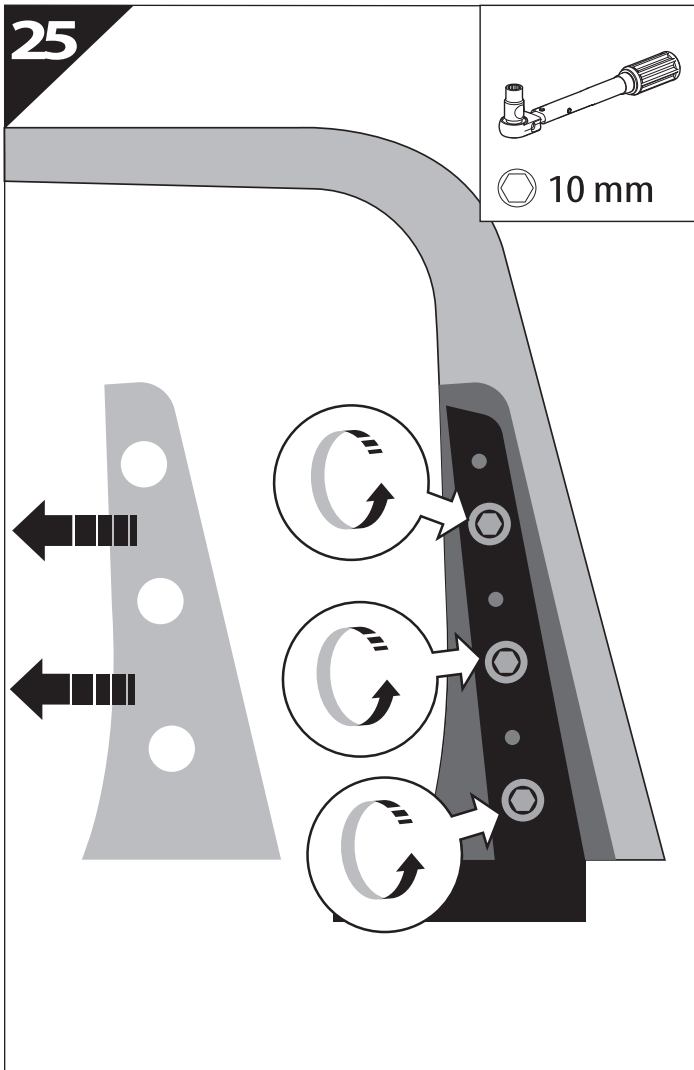


23



24

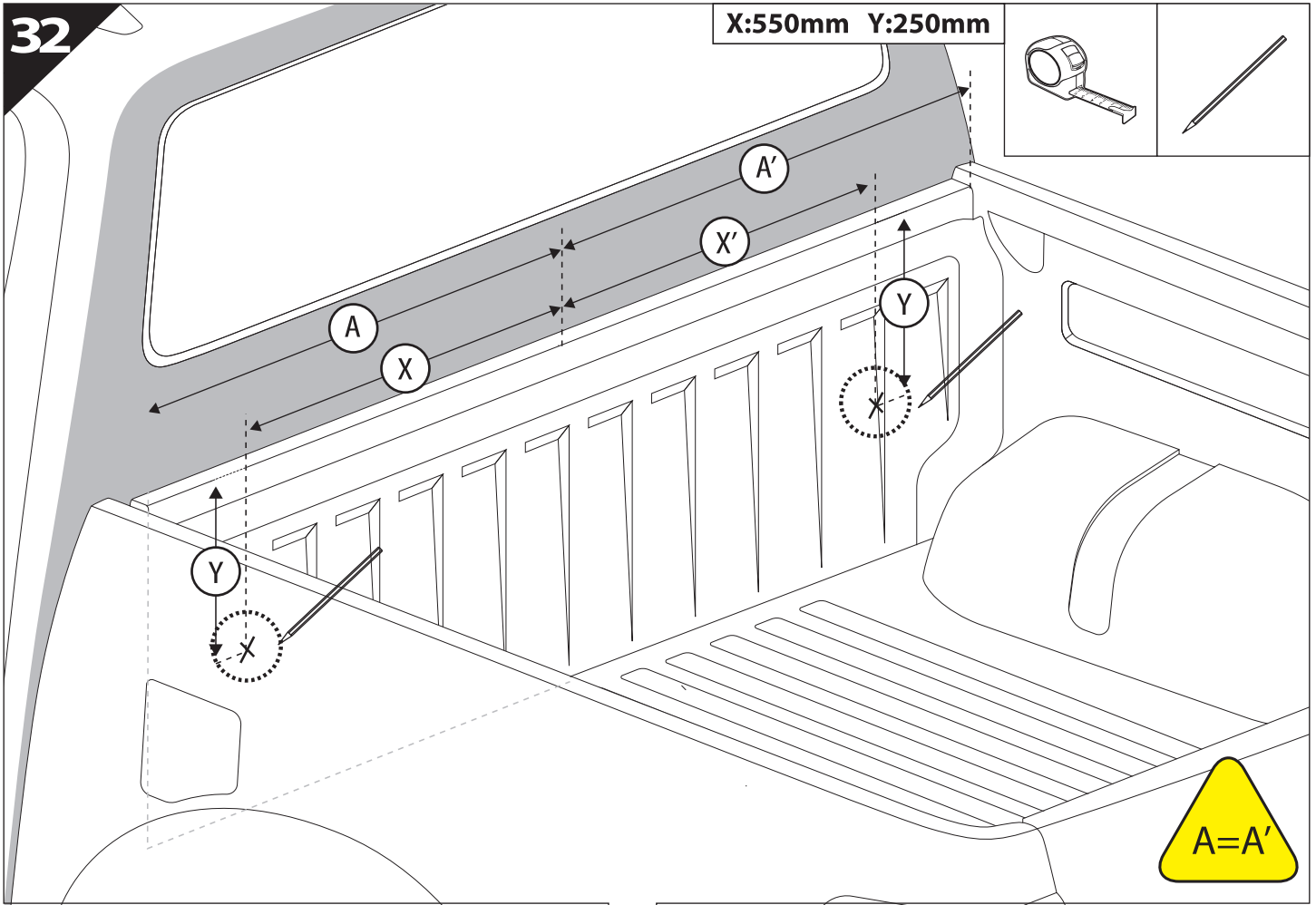
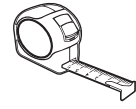




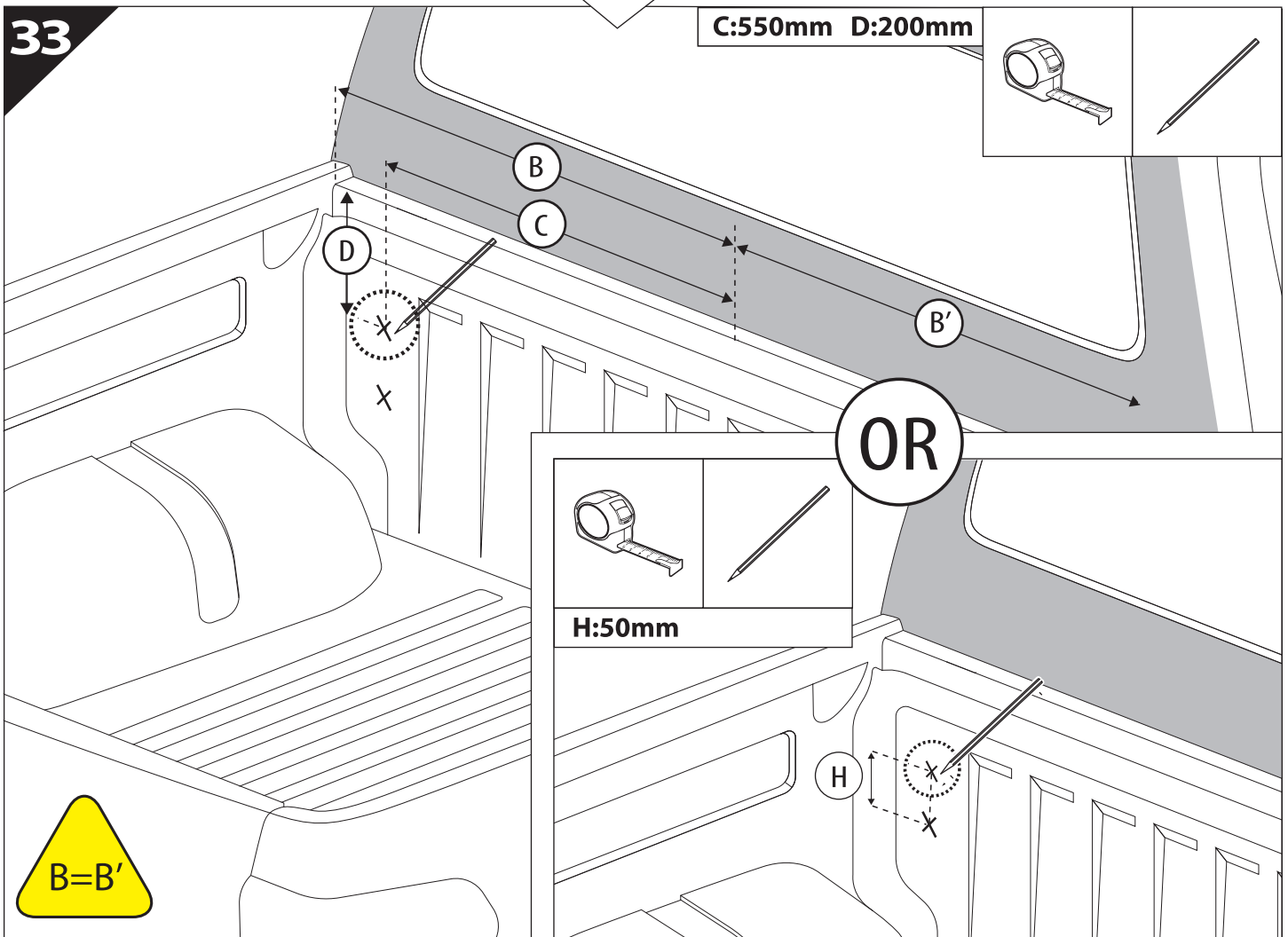
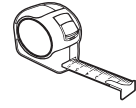


32

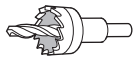
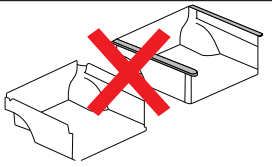
X:550mm Y:250mm



C:550mm D:200mm



34

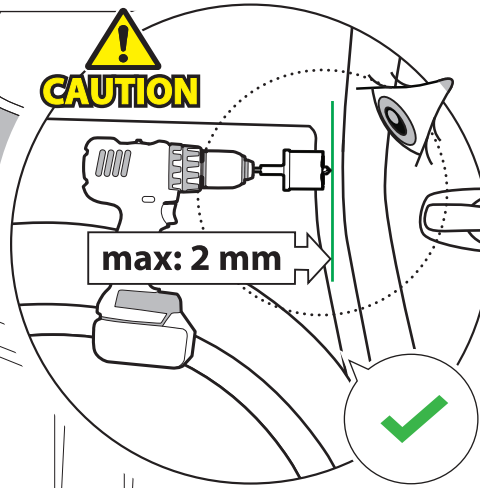


Ø 25 mm

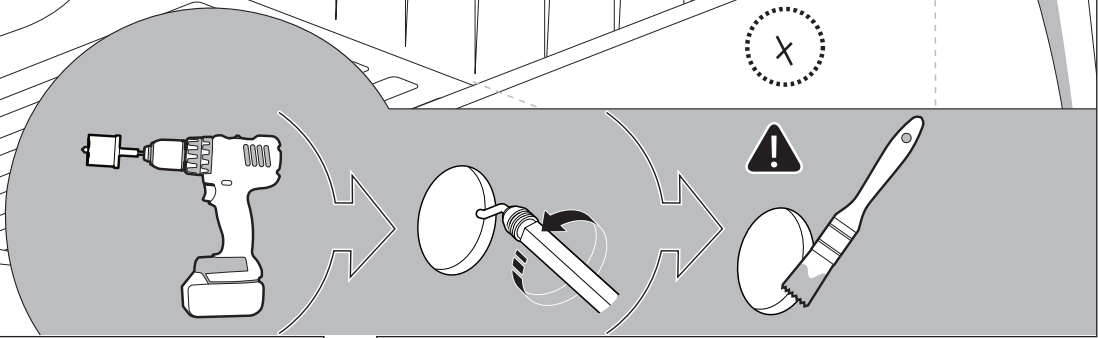
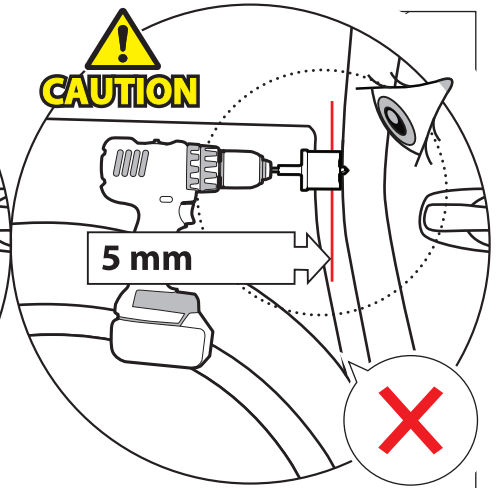


Rust Protection

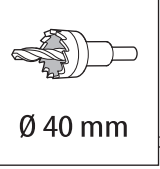
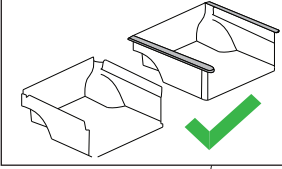
**CAUTION**



**CAUTION**

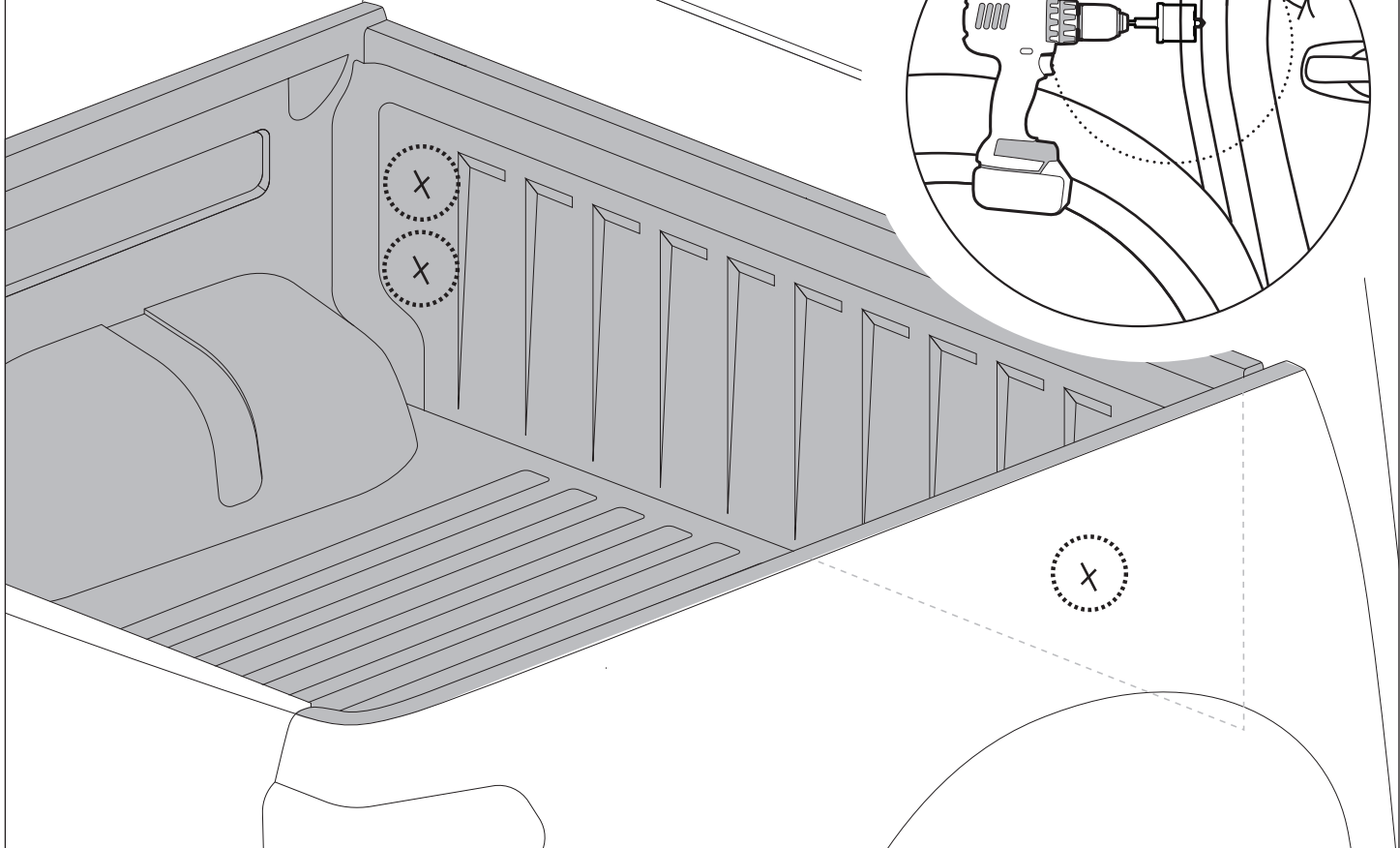
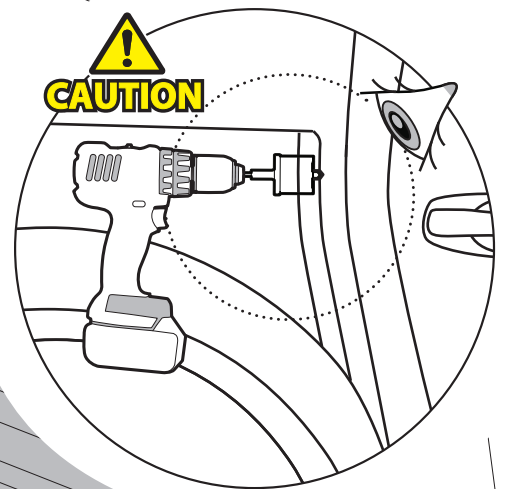


34.1

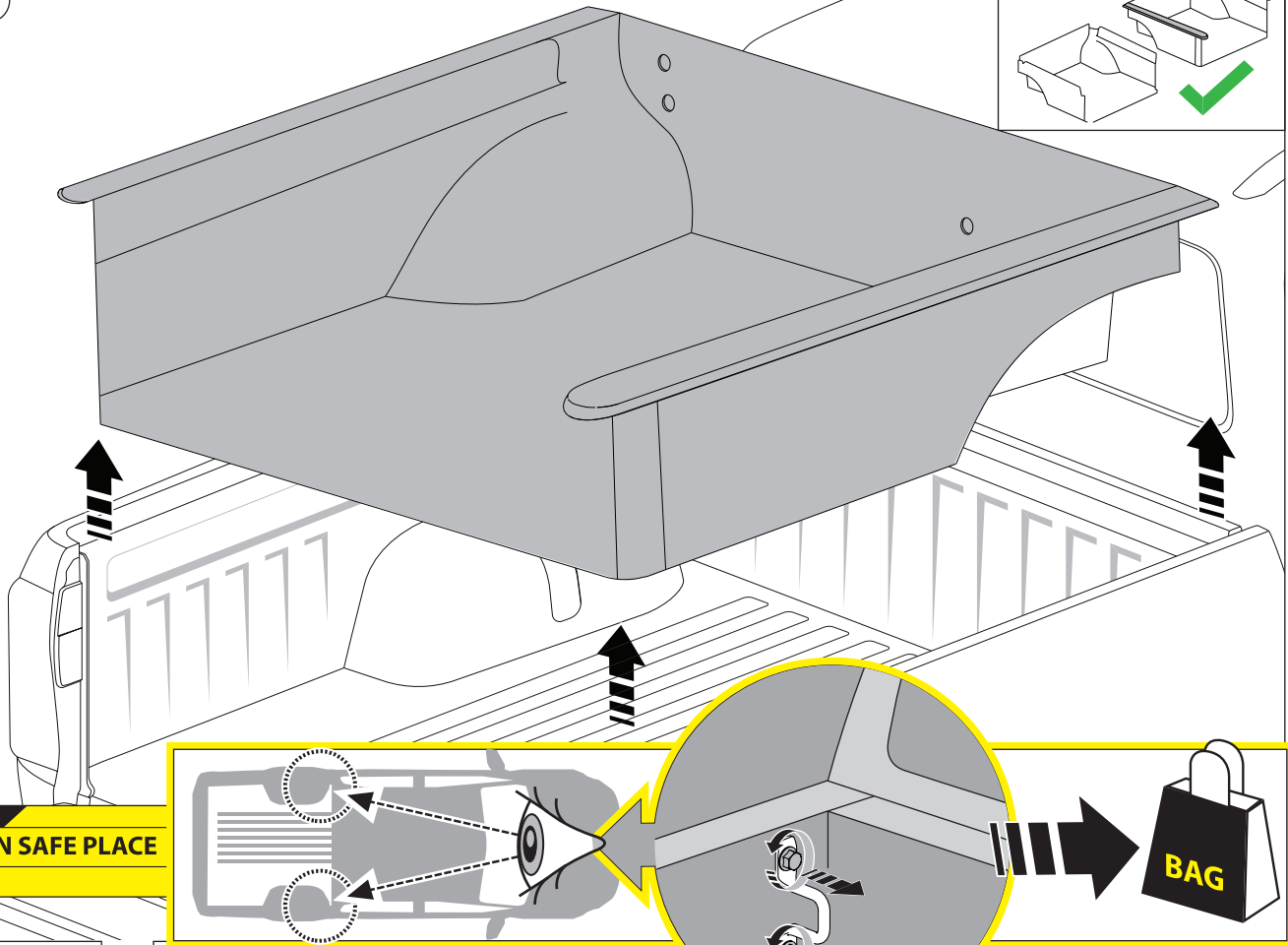
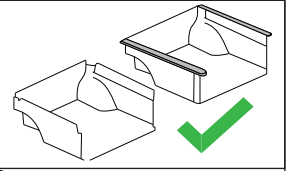


Ø 40 mm

**CAUTION**

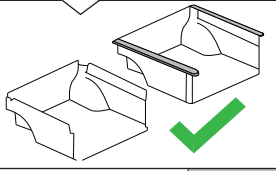


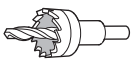
# 34.2



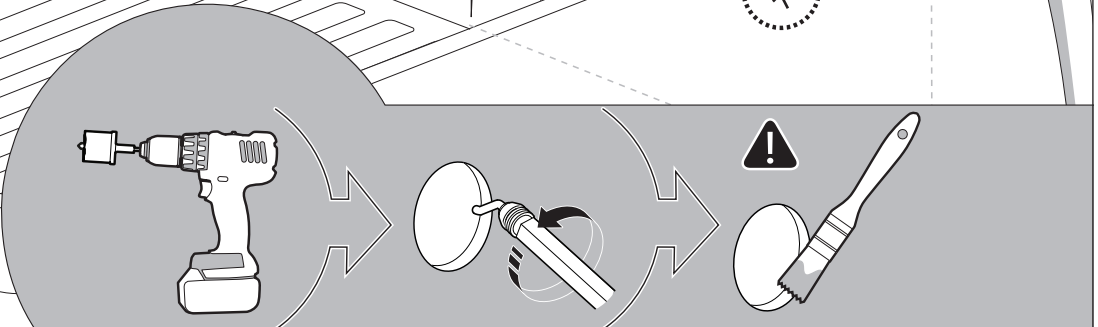
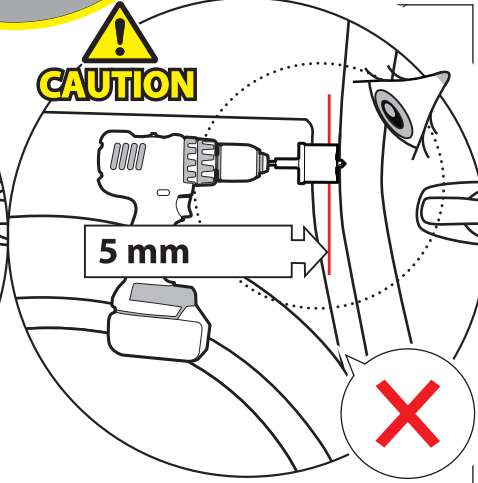
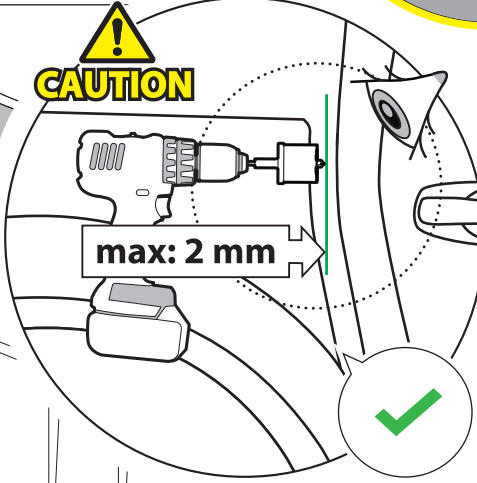
**! KEEP IN SAFE PLACE**

# 34.3

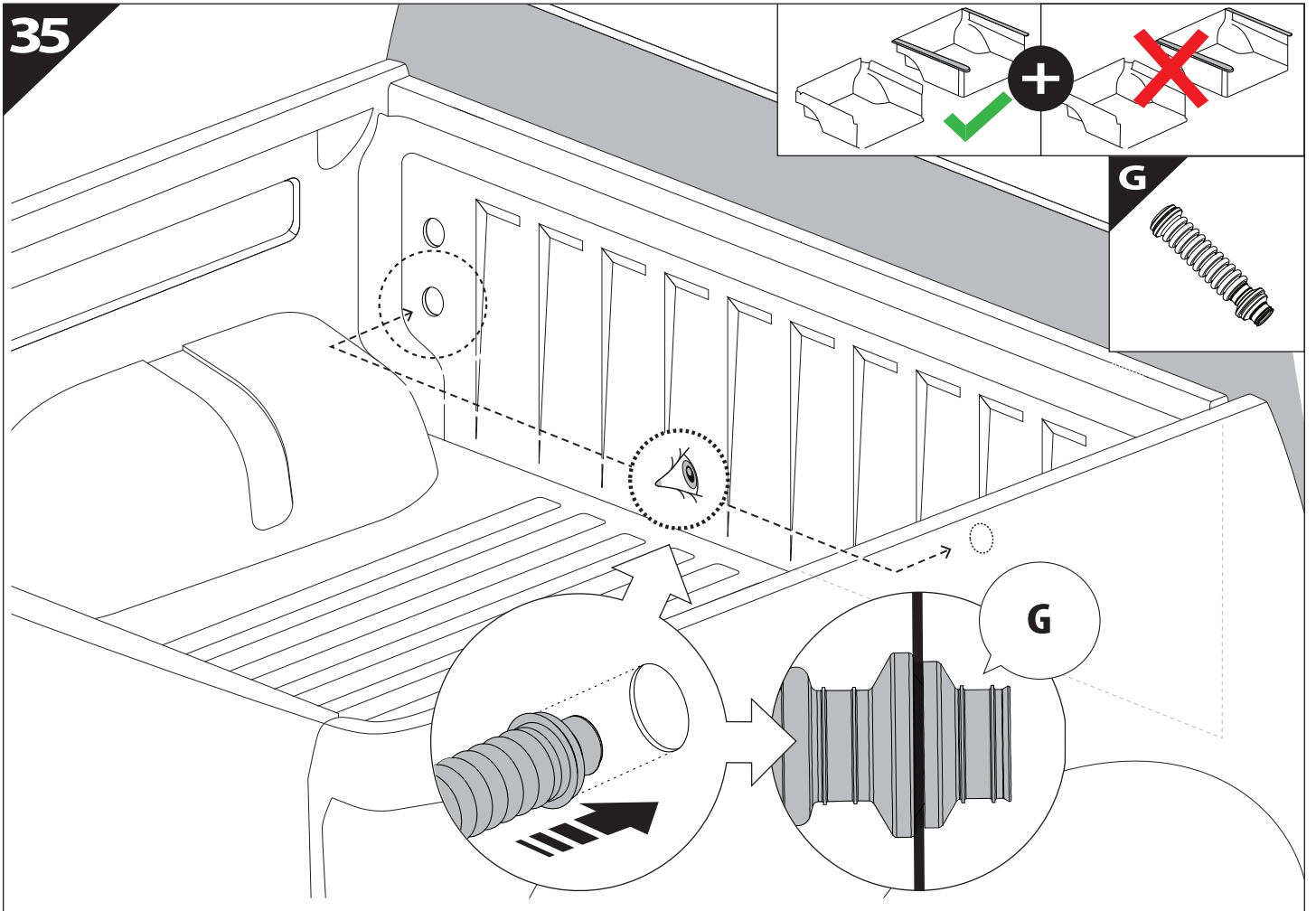


  
Ø 25 mm

**! Rust Protection**

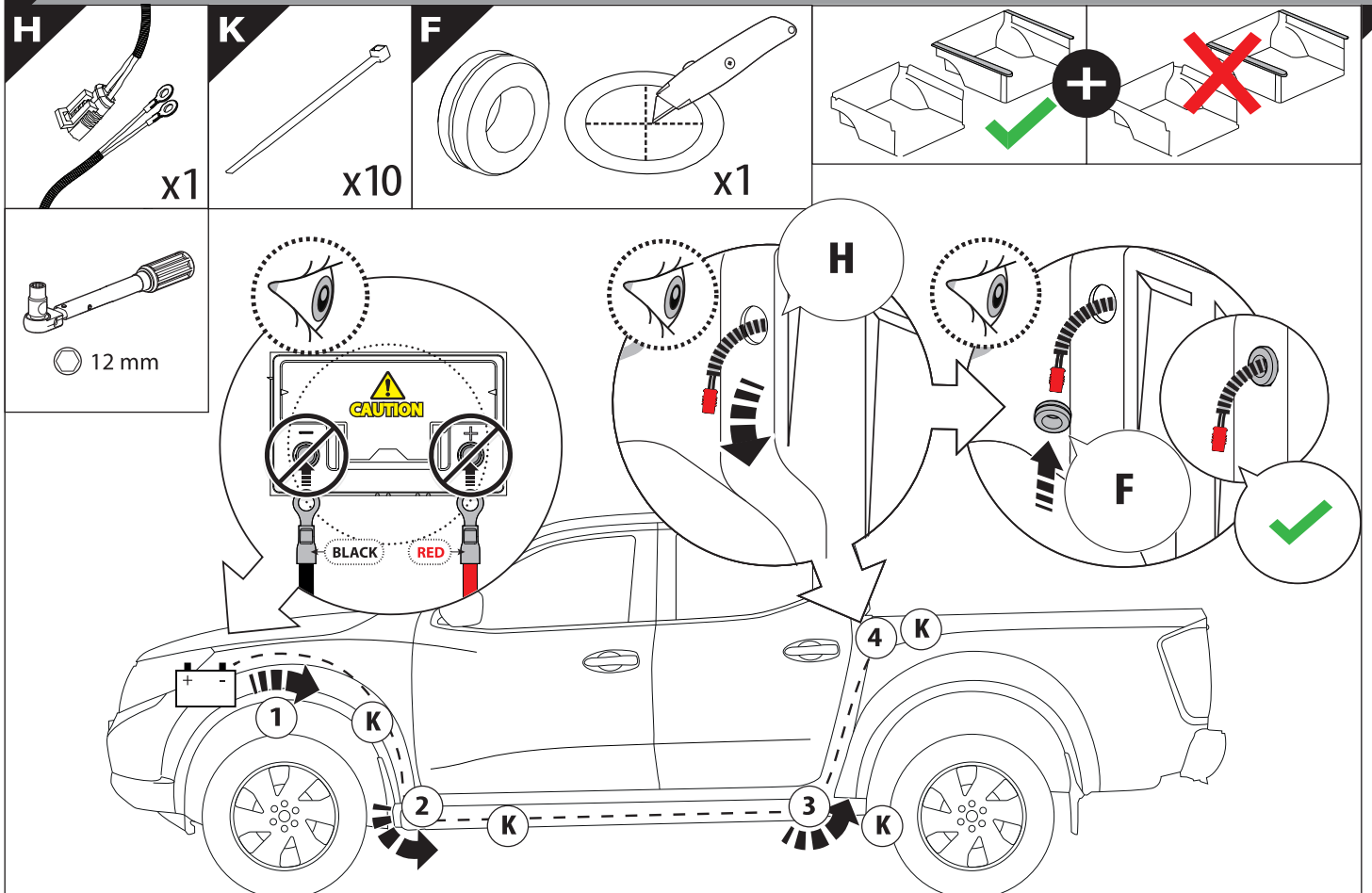


35

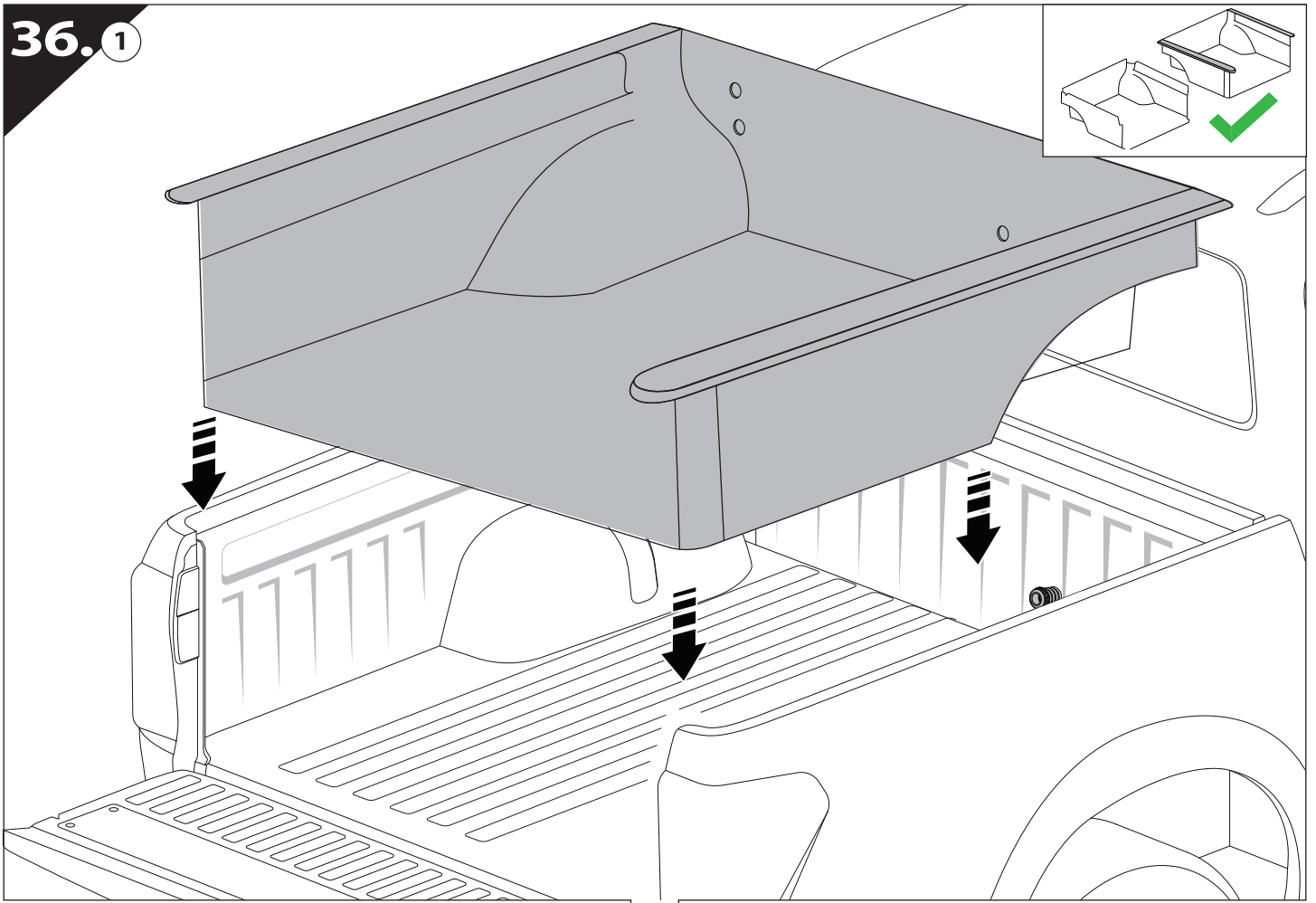


36

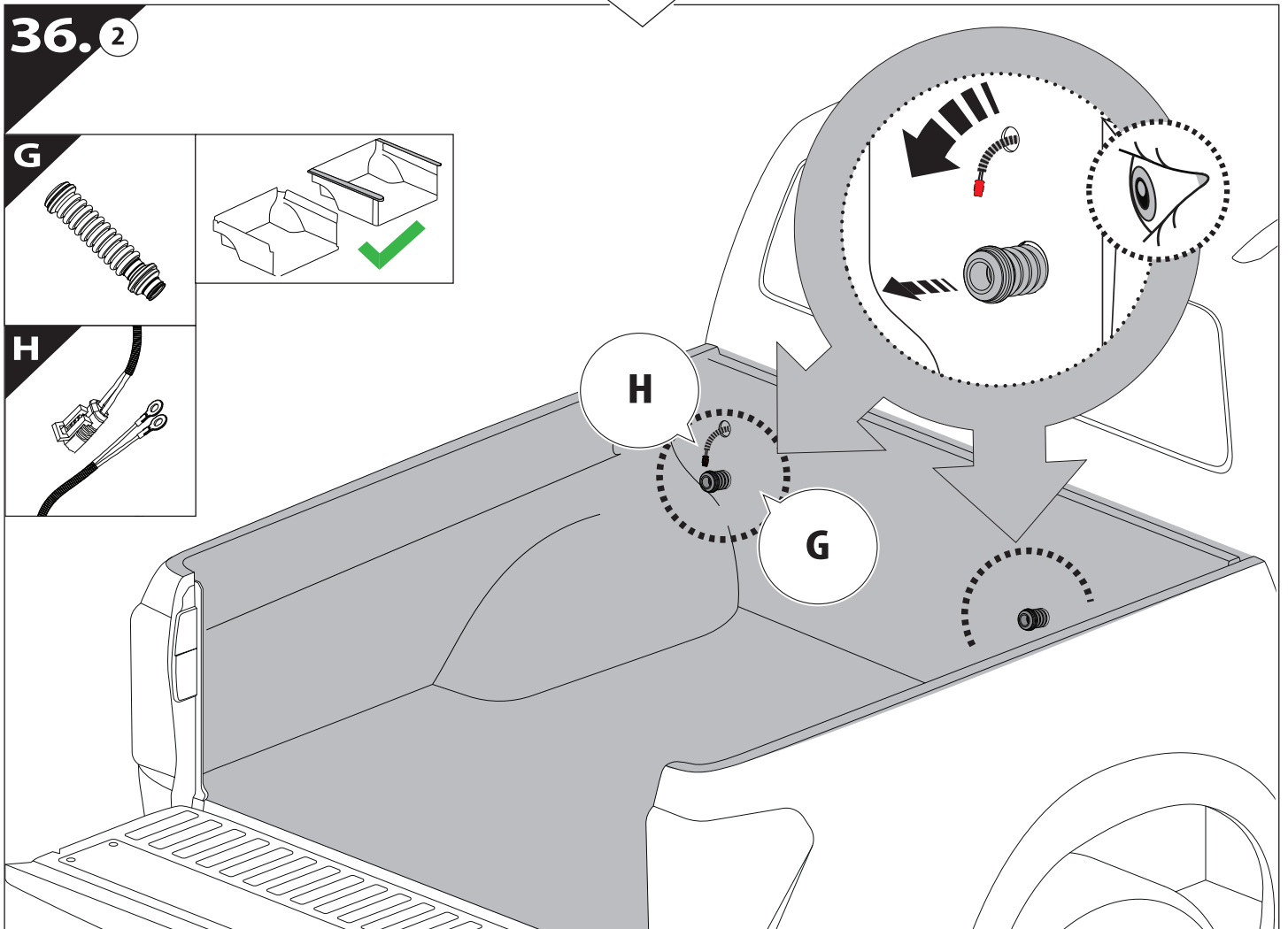
Only to be installed by authorized personnel



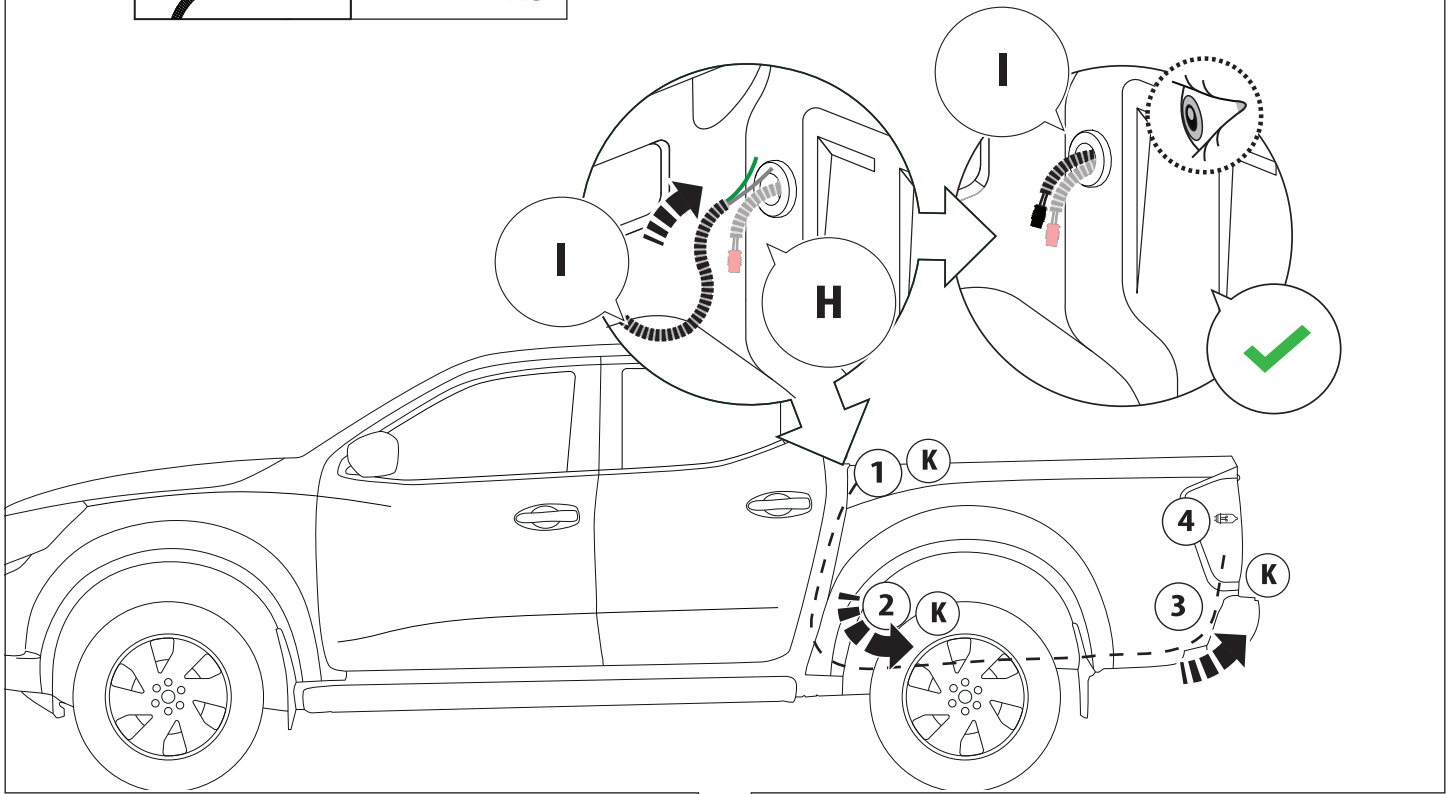
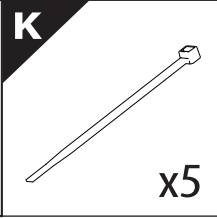
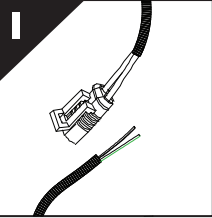
36.1



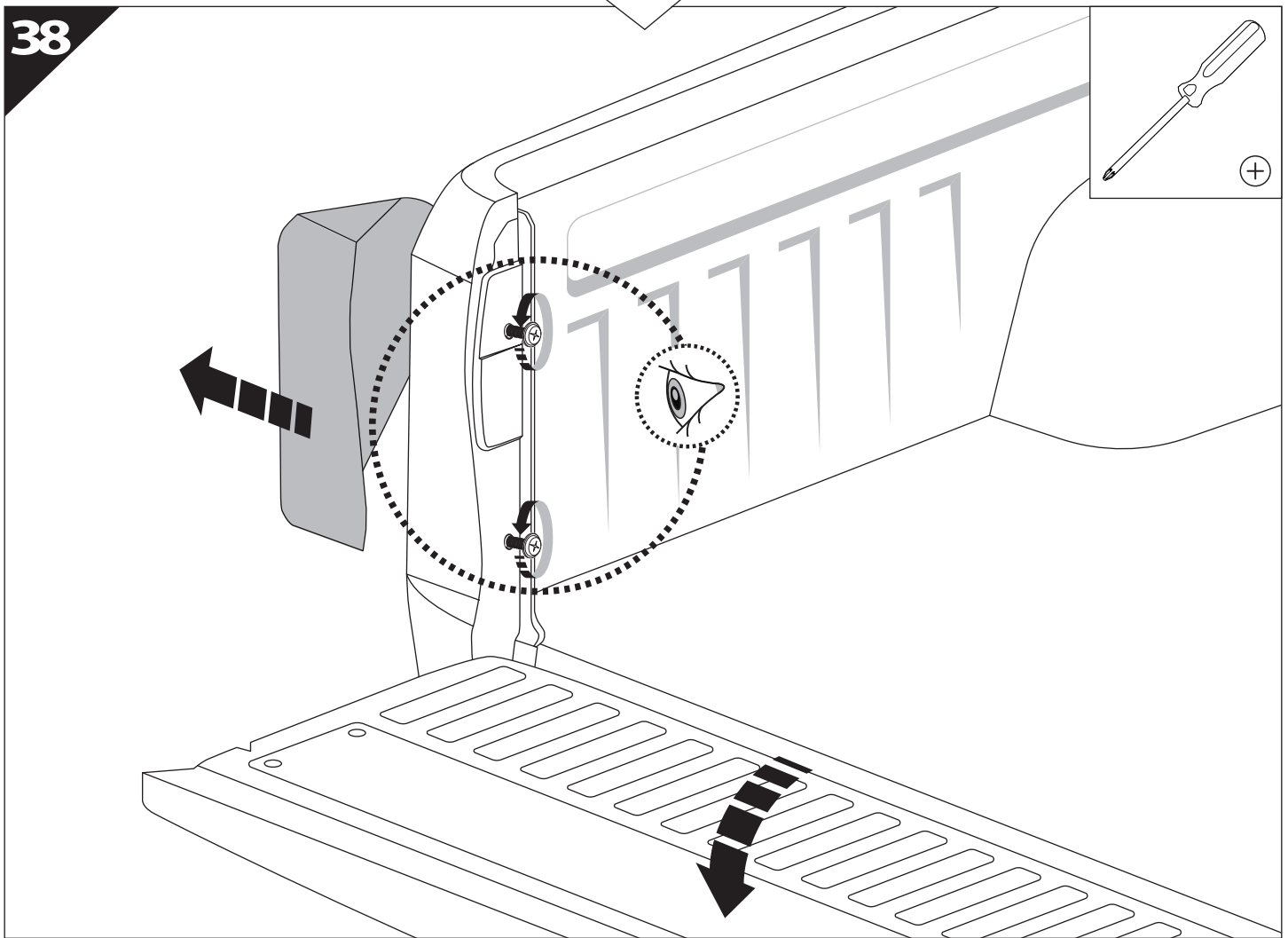
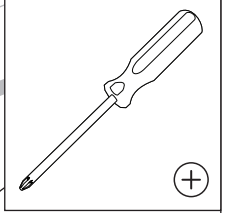
36.2



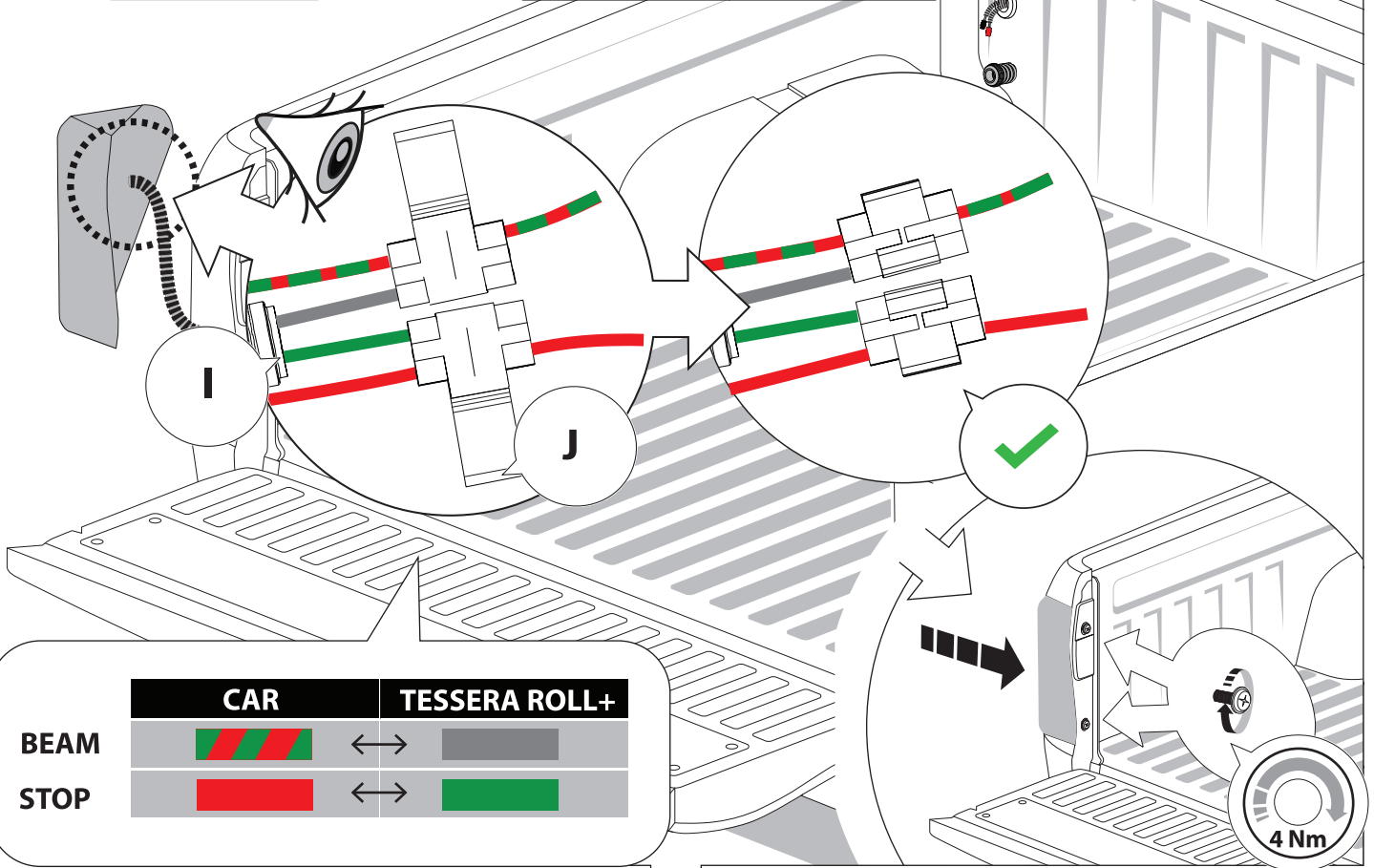
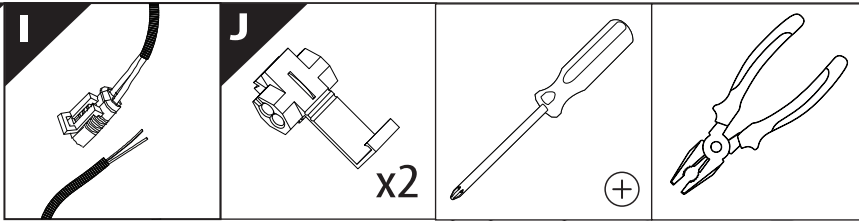
37



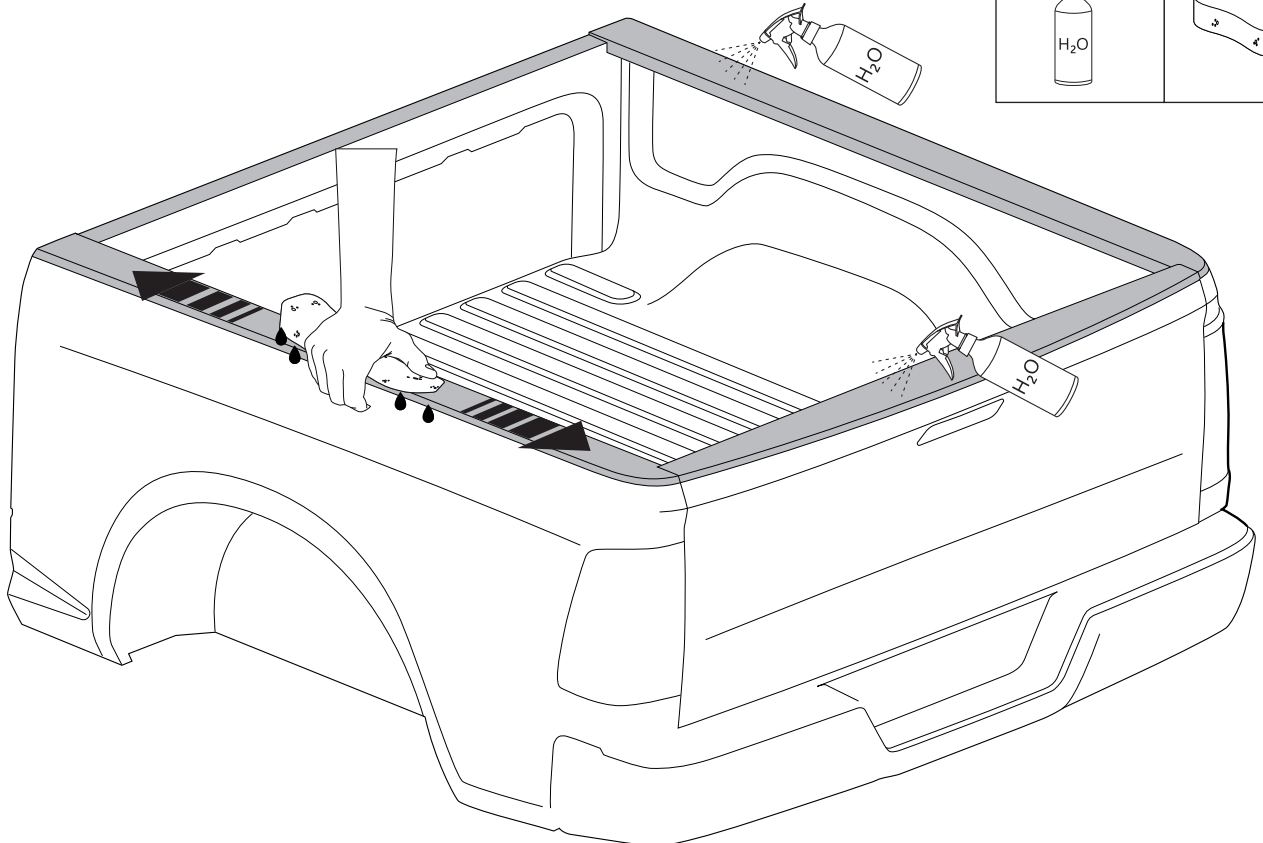
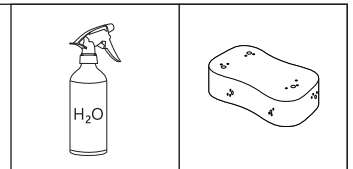
38

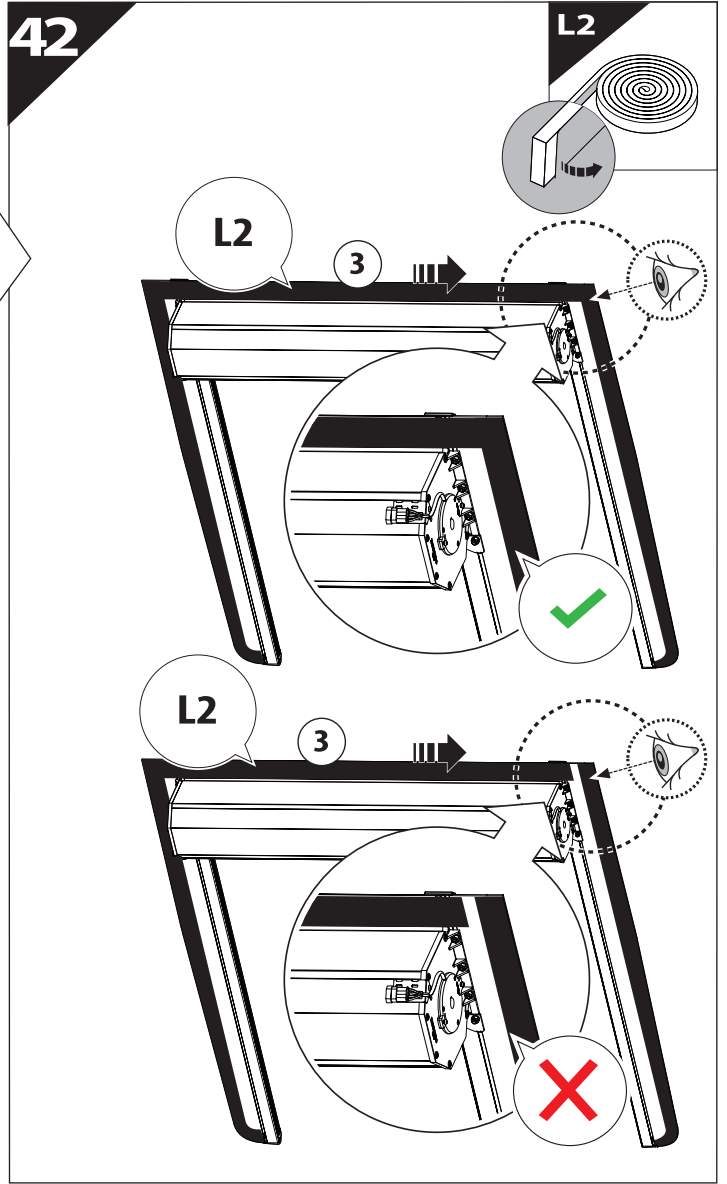
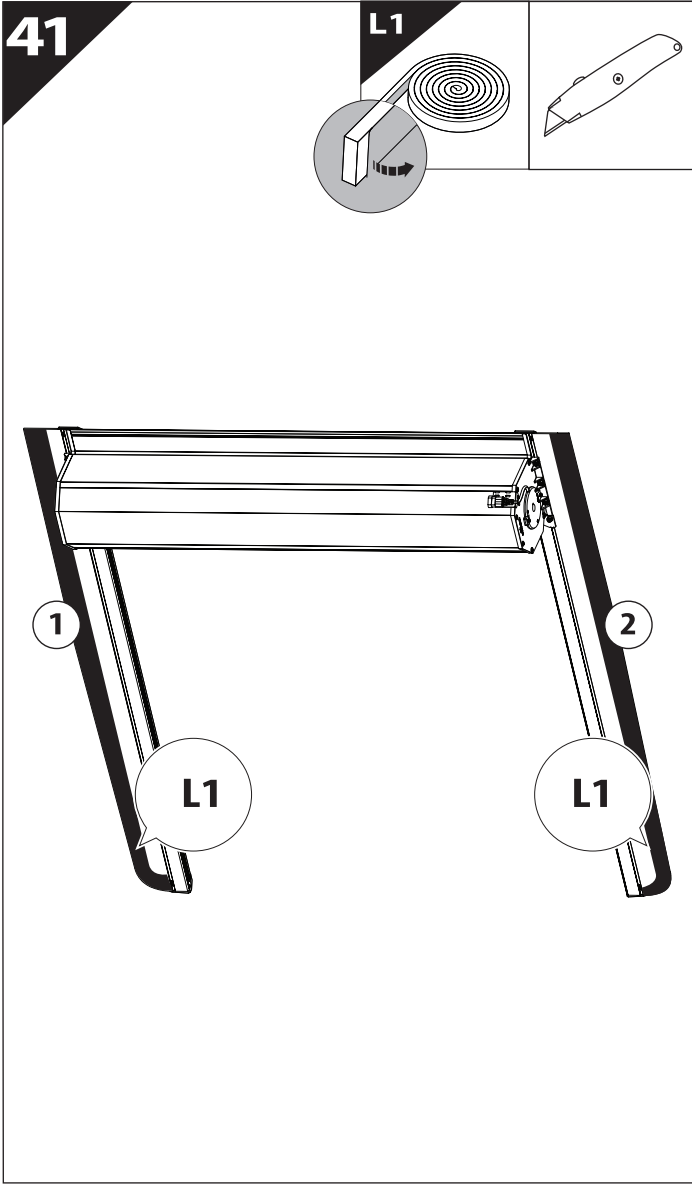


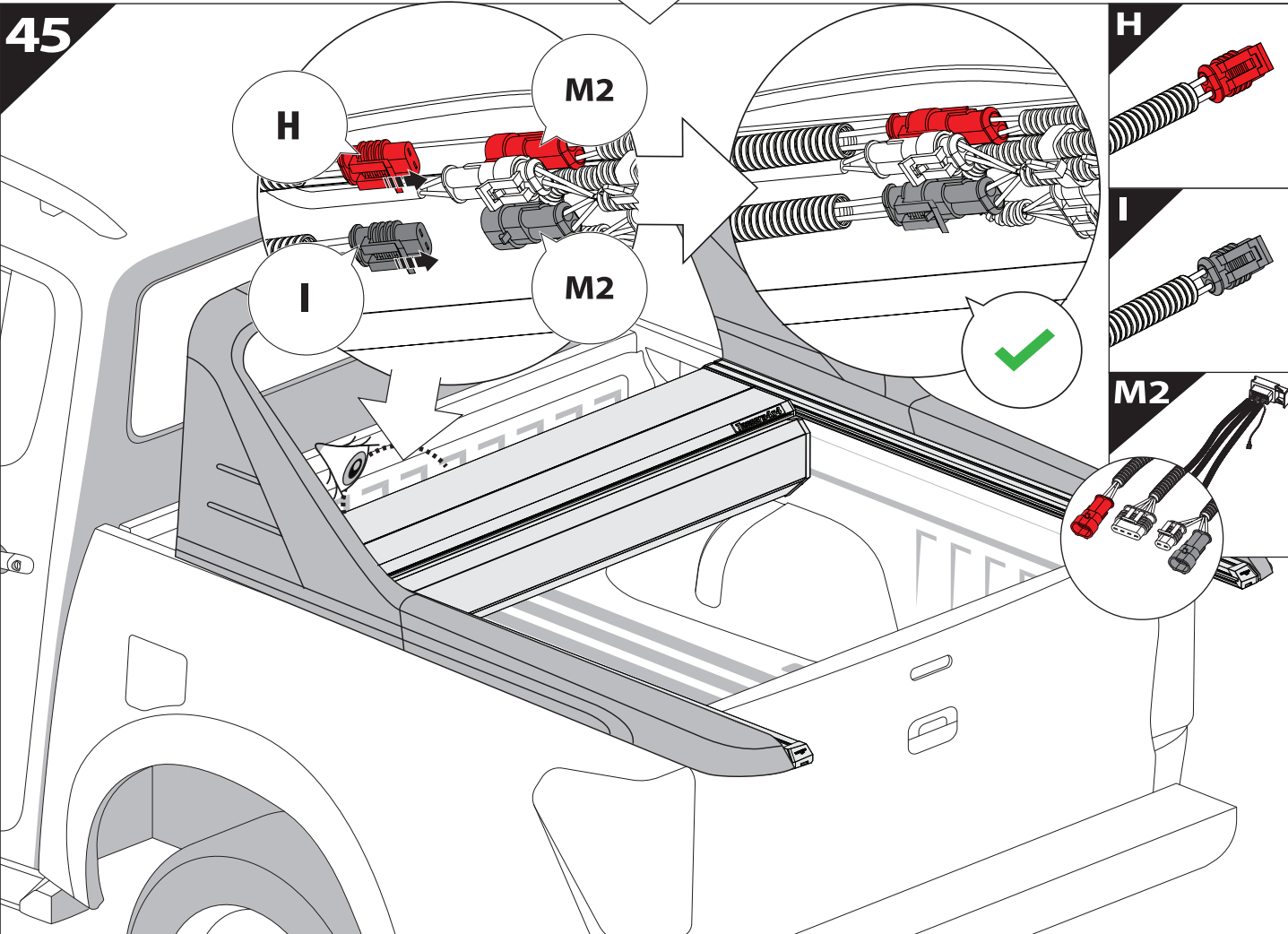
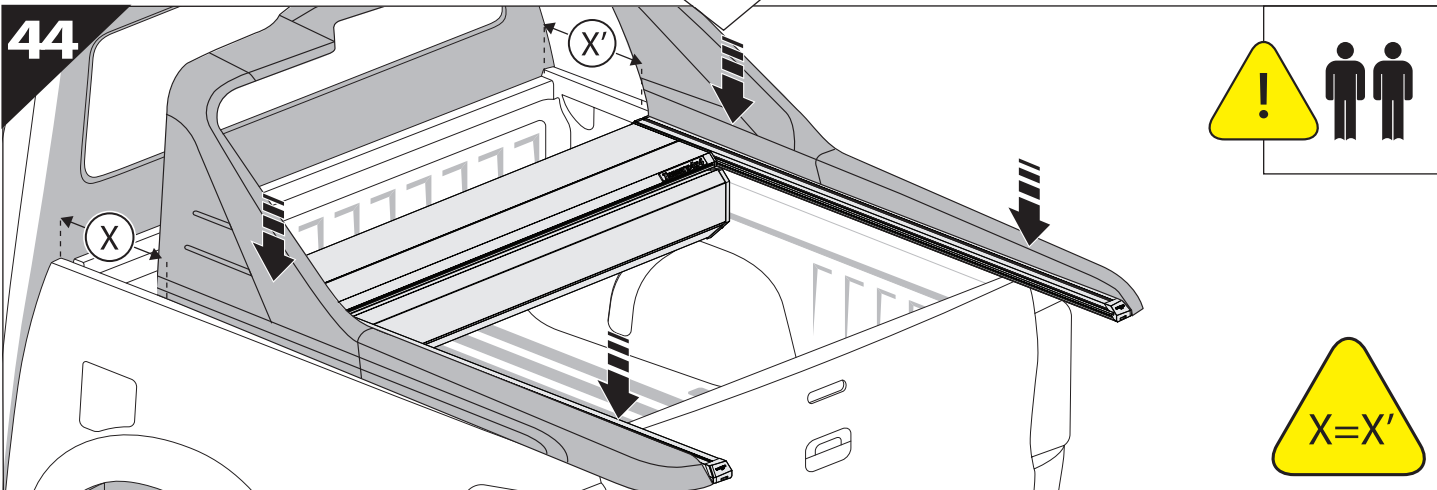
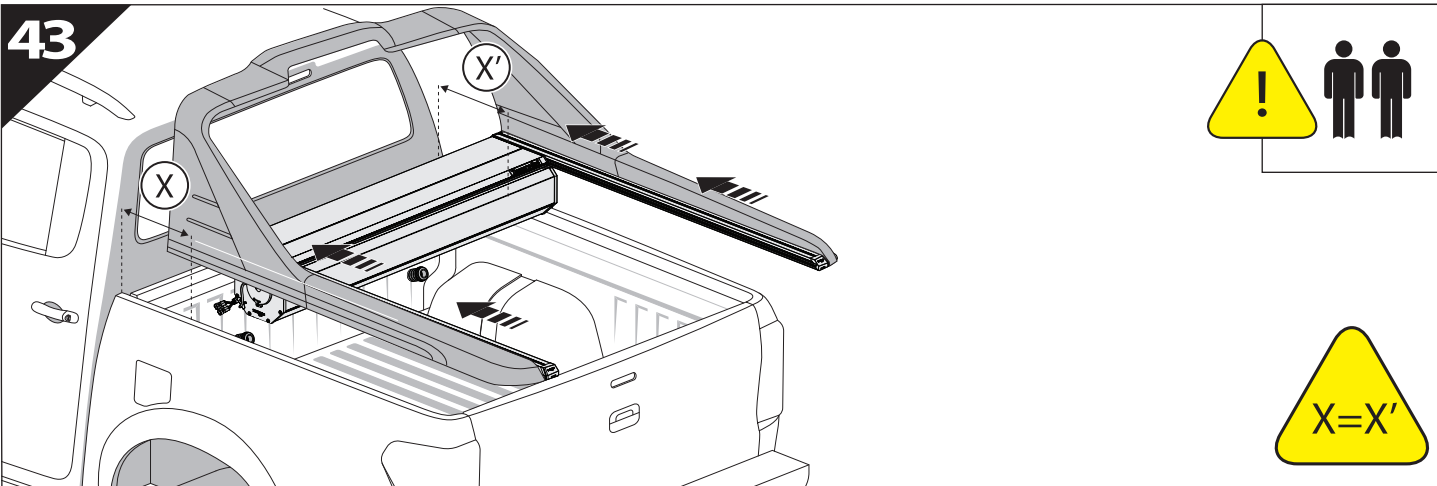
39



40

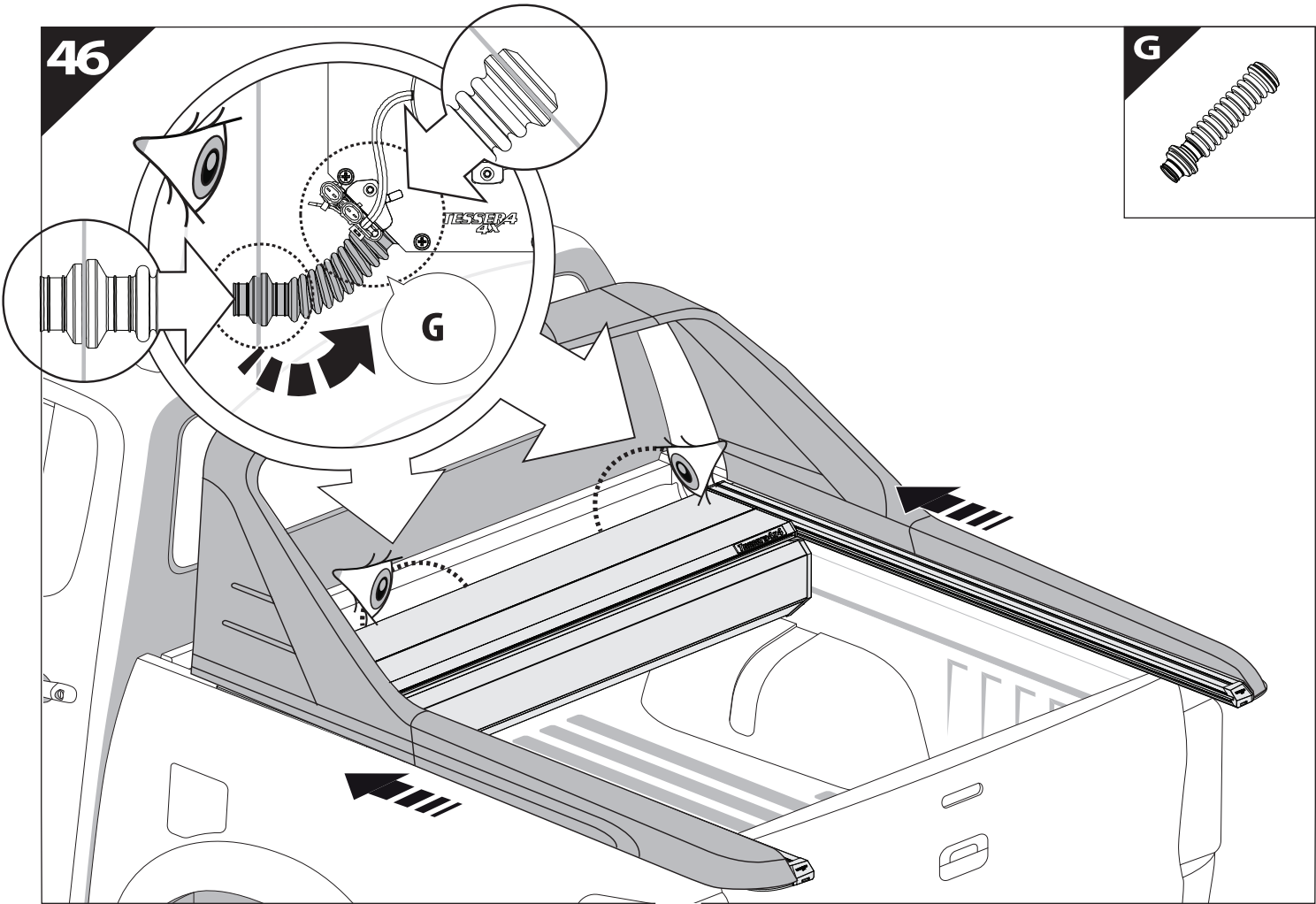




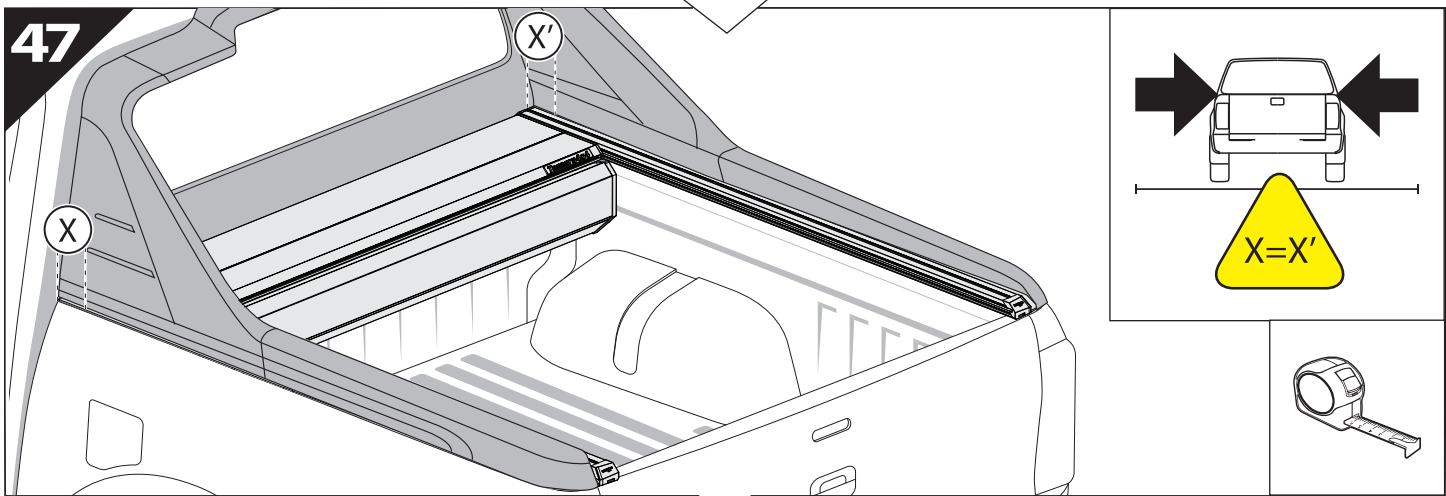


46

G

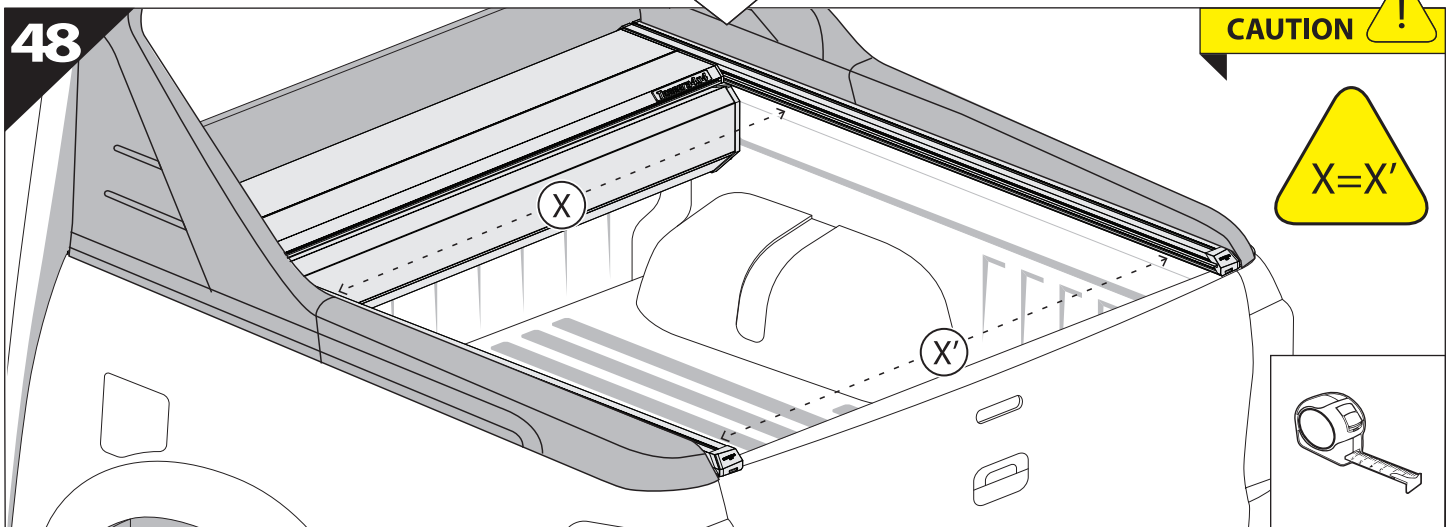


47

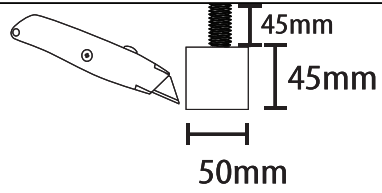
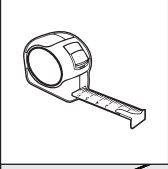
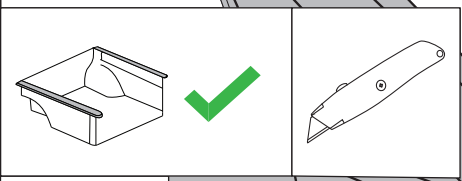


48

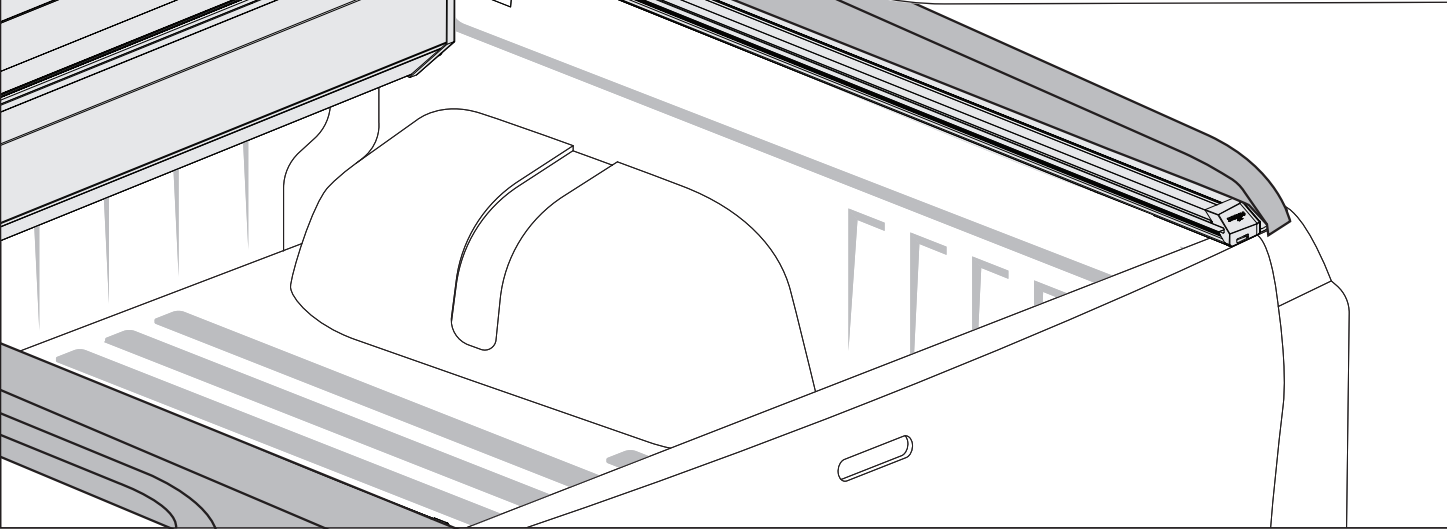
CAUTION !

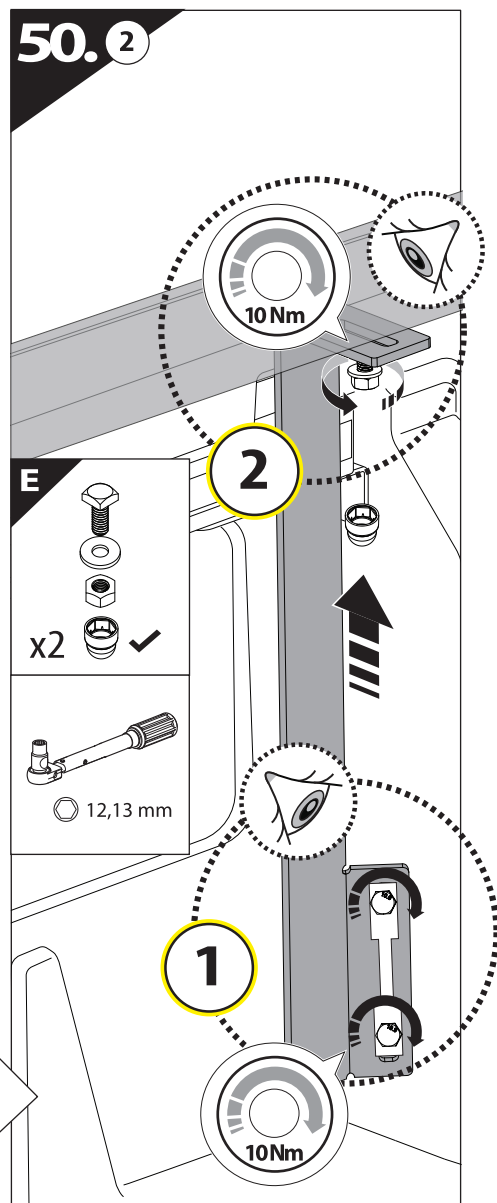
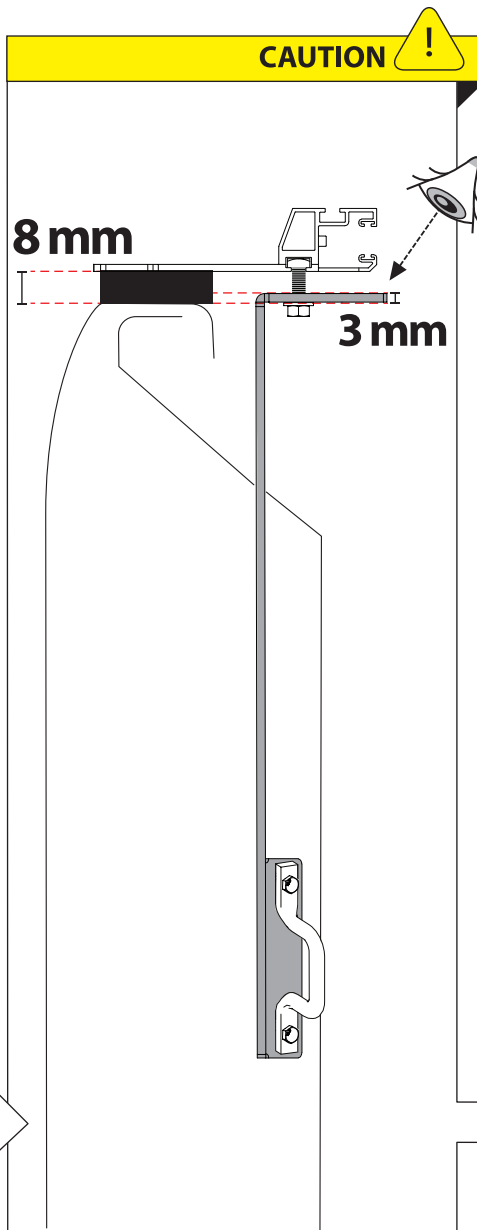
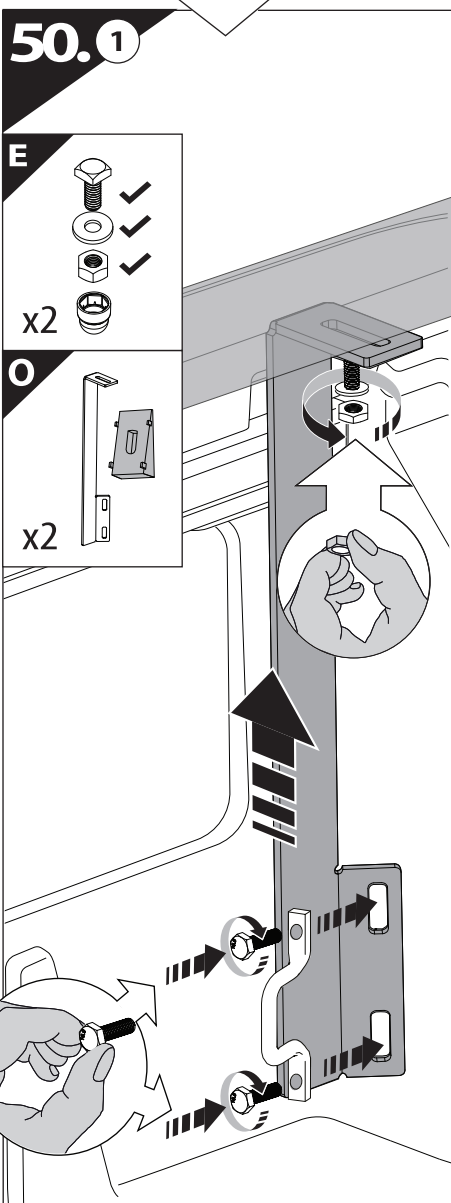
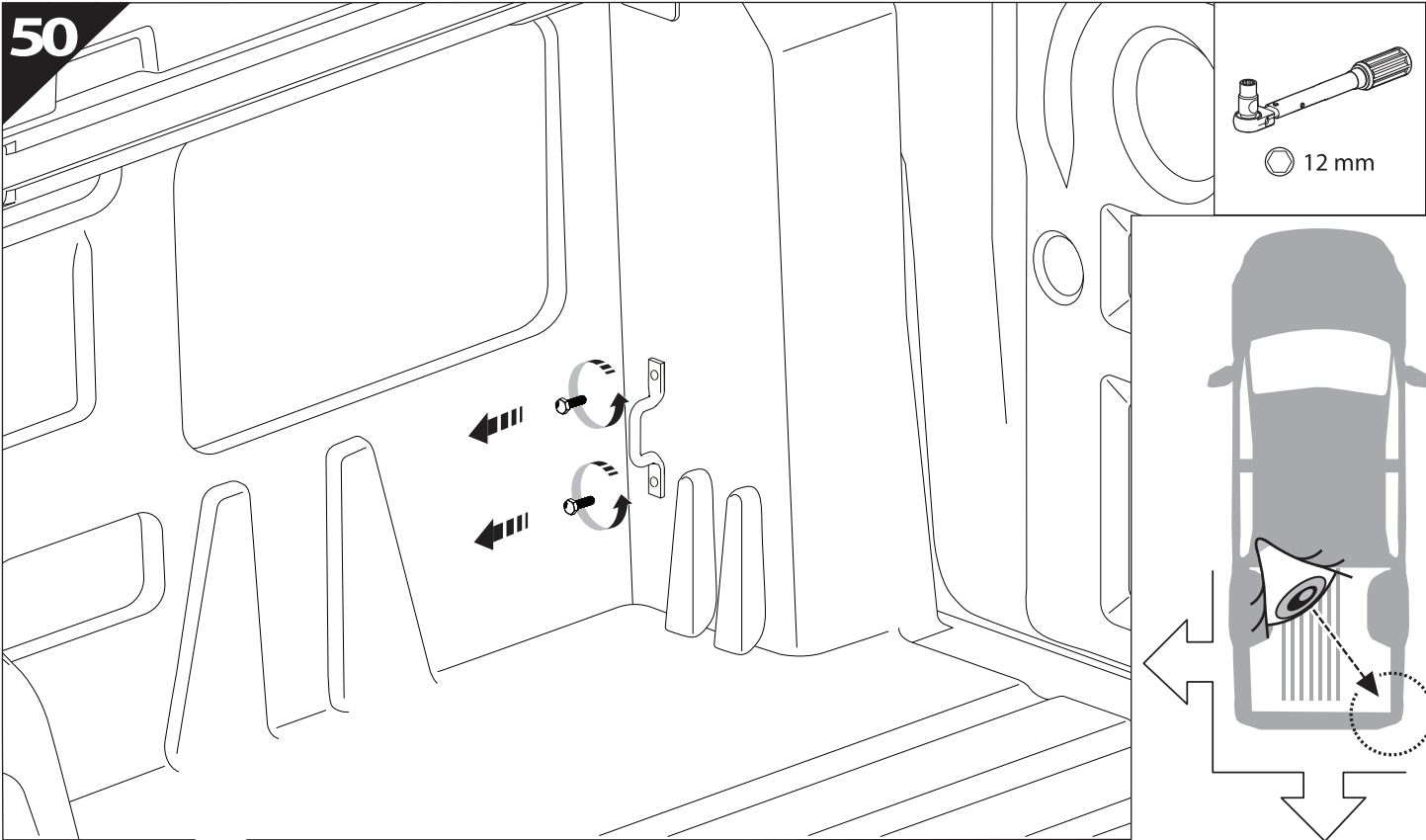


49

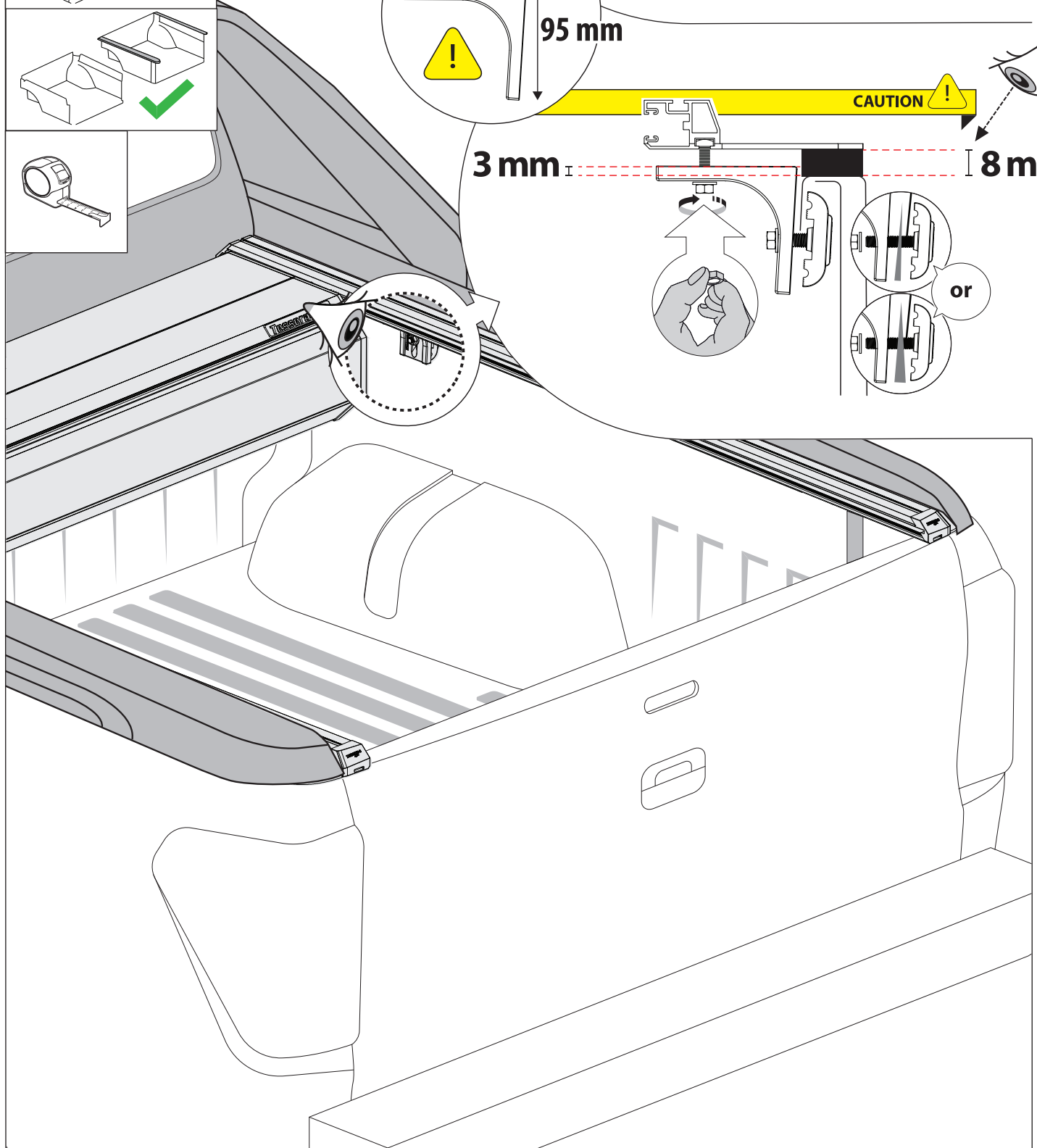
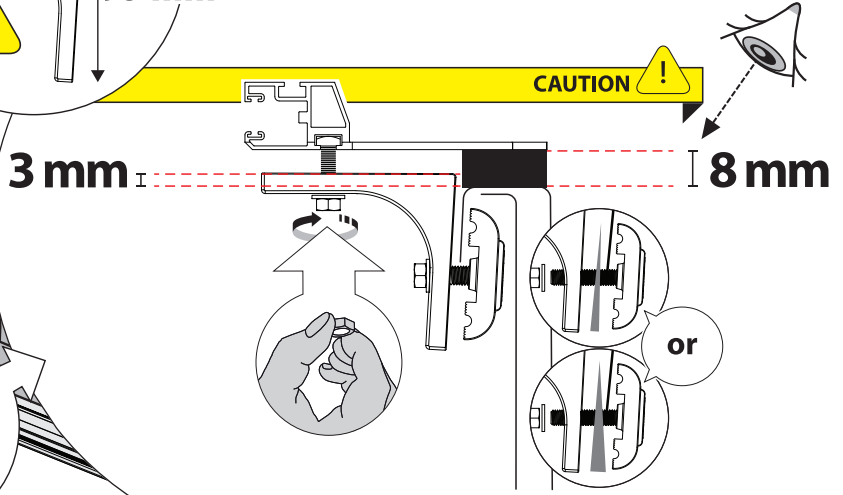
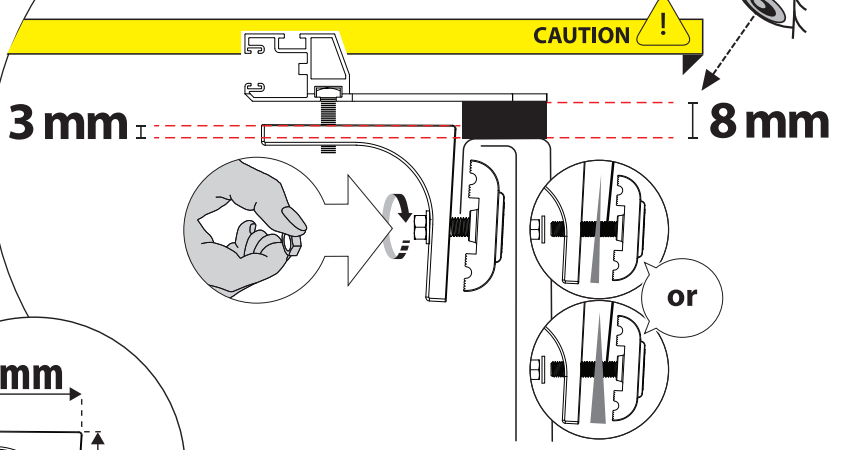
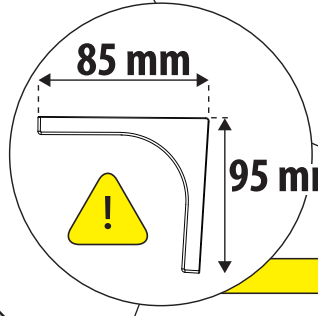
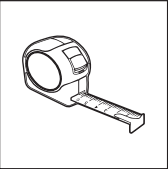
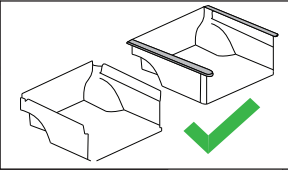
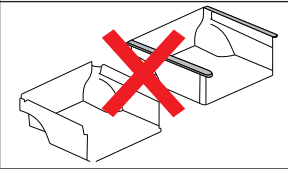
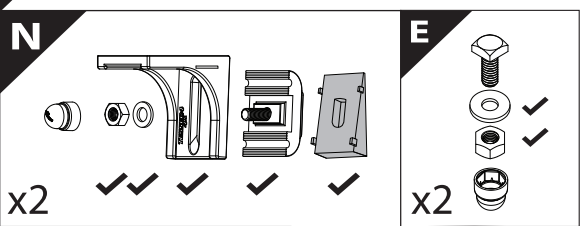


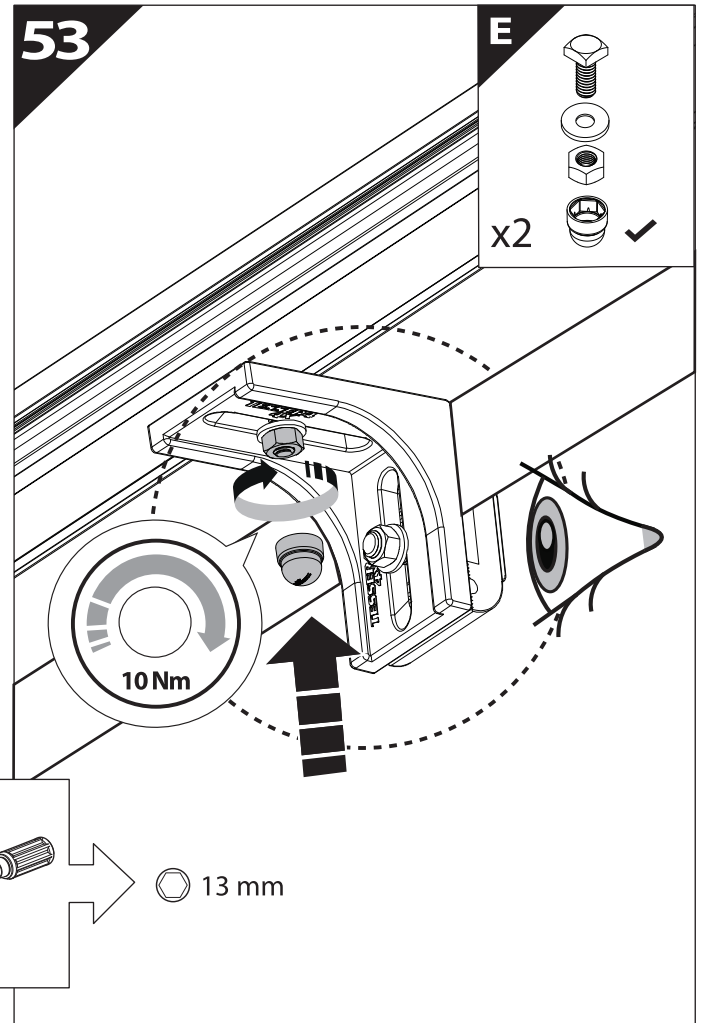
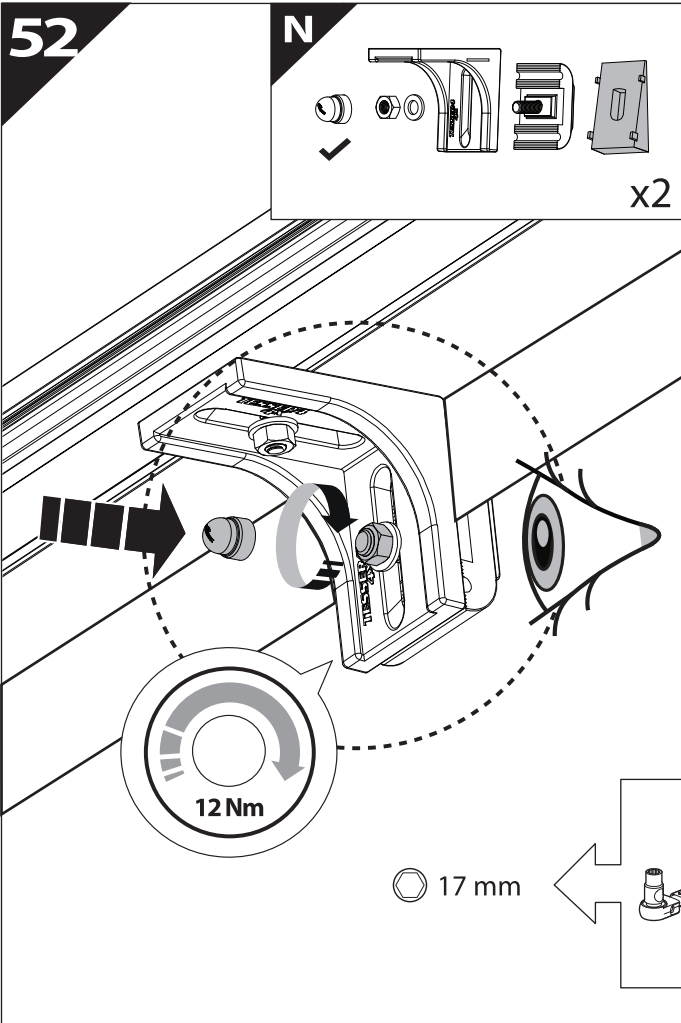
x2



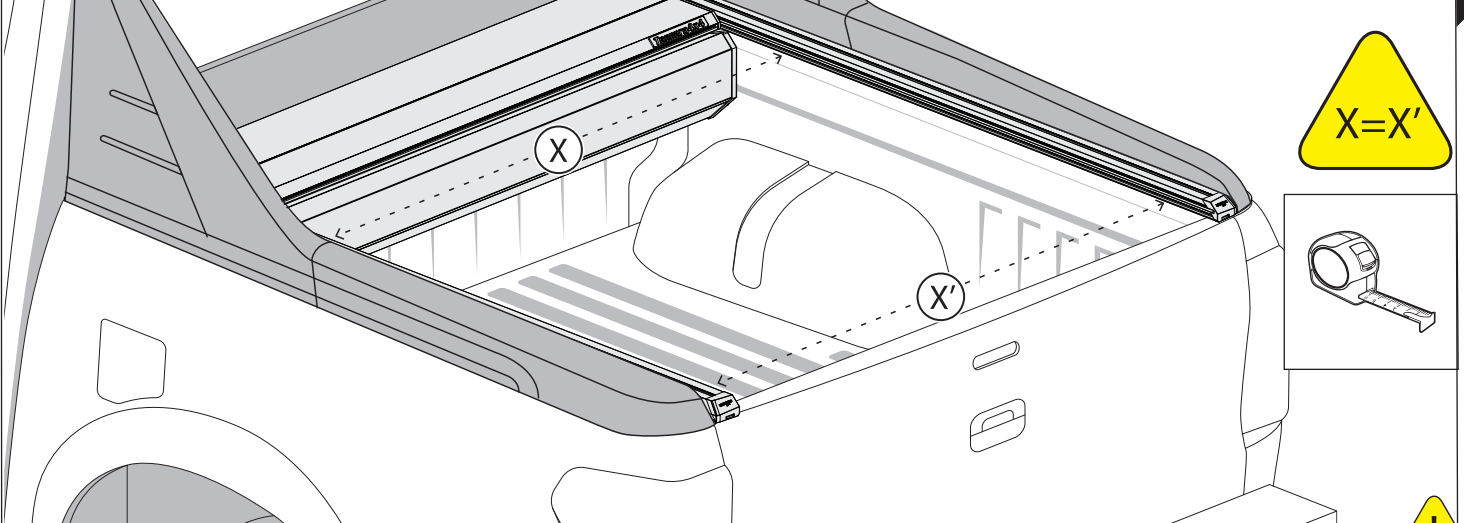


51

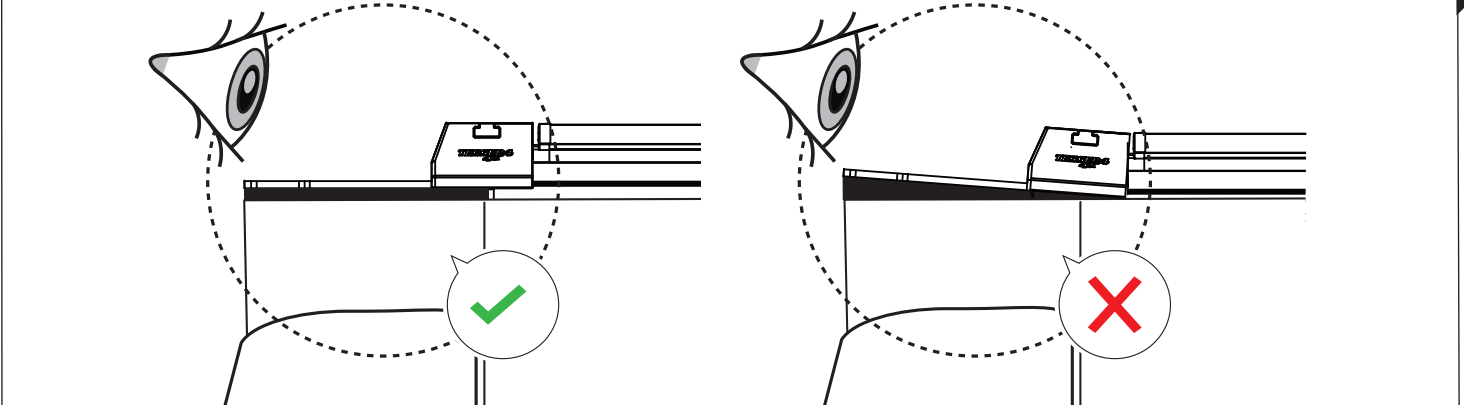




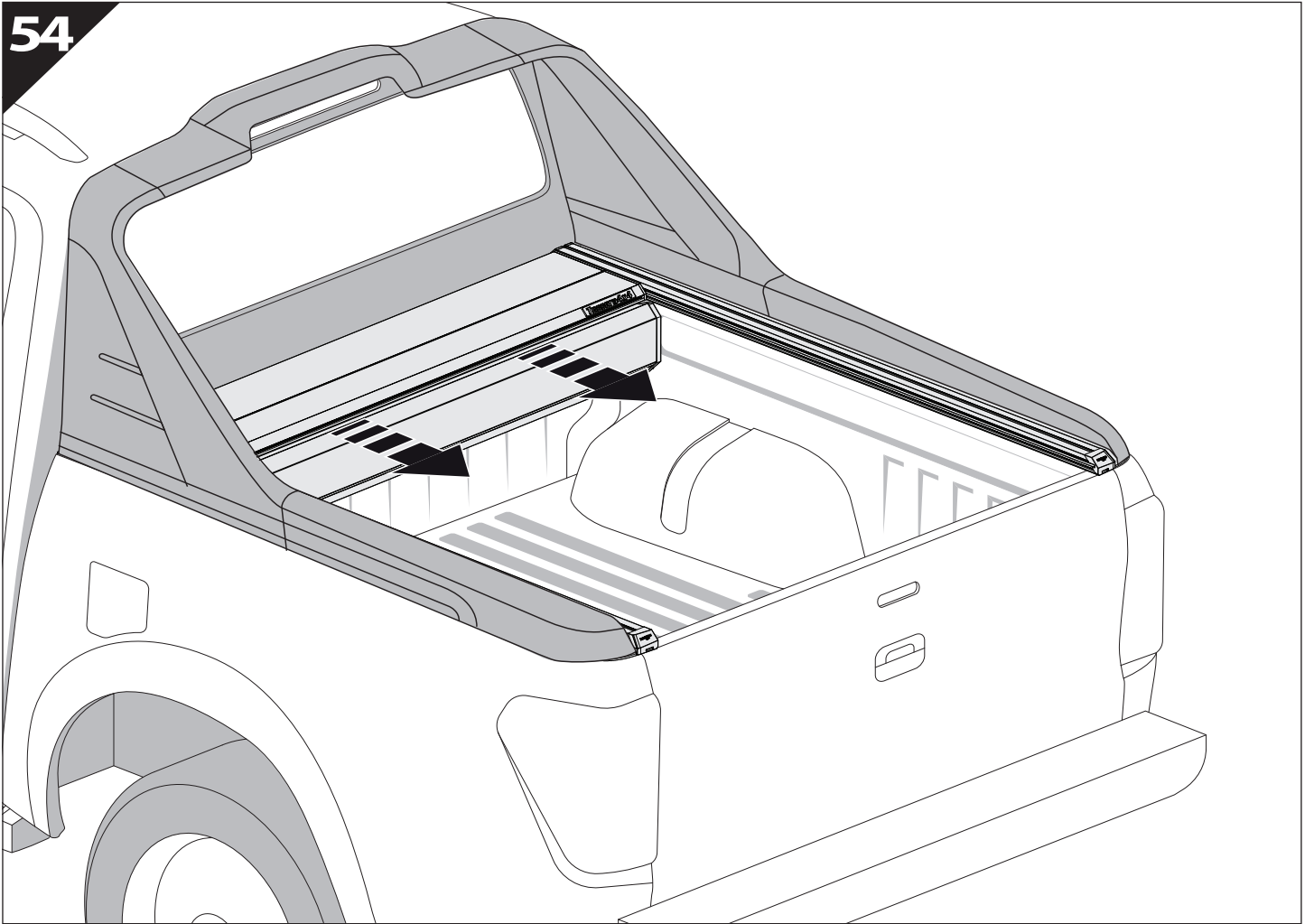
**CAUTION !**



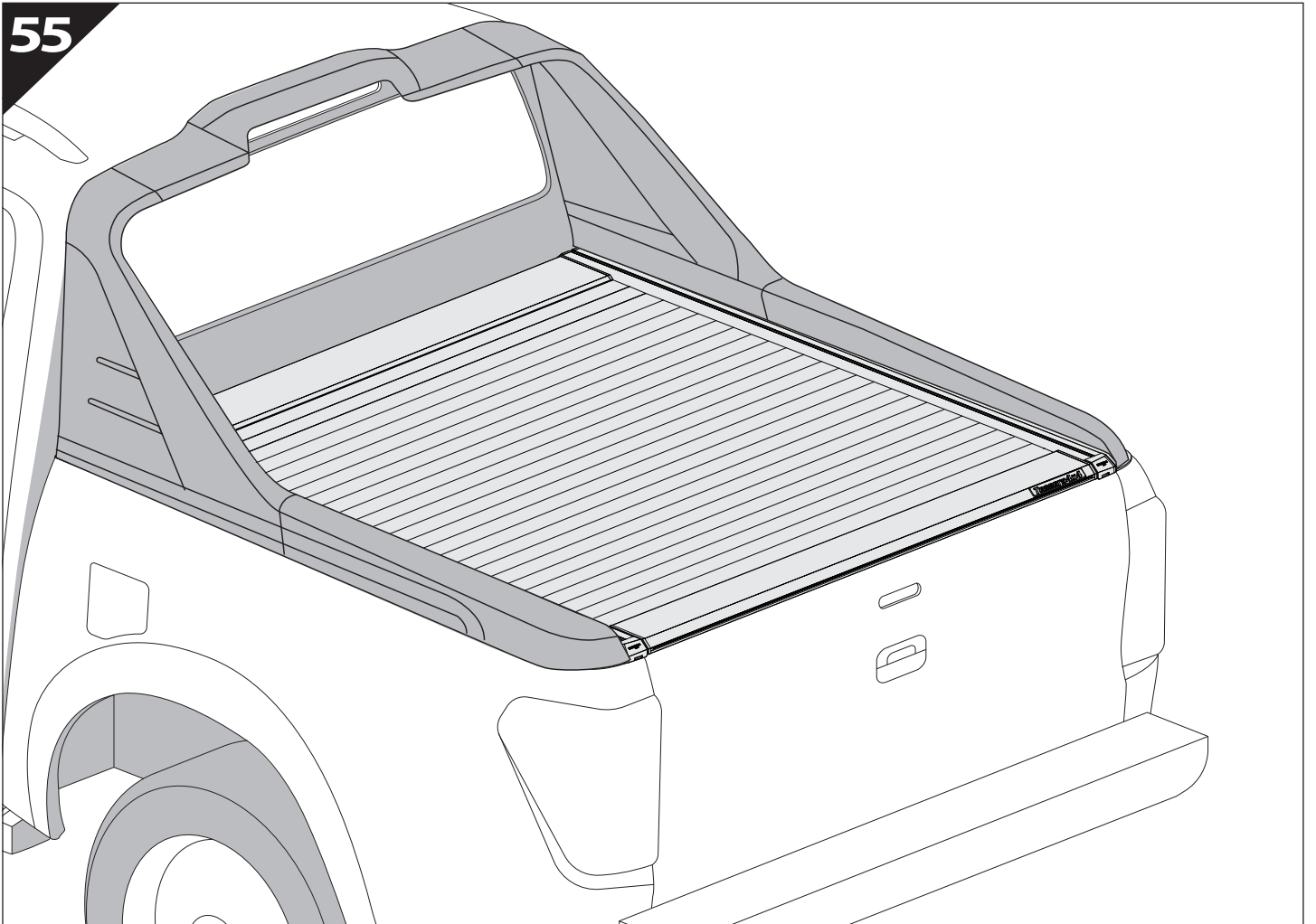
**CAUTION !**



54



55









**GR:** Οδηγίες Εγκατάστασης  
**GB:** Installation manual  
**SF:** Asennusohje  
**F:** Notice de montage  
**PL:** Instrukcja montażu  
**NL:** Installatie-instructies  
**TR:** Montaj Talimatı  
**S:** Monteringsanvisning  
**E:** Instrucciones de montaje

**H:** Szerelési utasítás  
**P:** Instruções de instalação  
**RUS:** Инструкция по установке  
**N:** Monteringsveiledning  
**D:** Einbauanleitung  
**CZ:** Návod k instalaci  
**I:** Istruzioni de montaggio  
**DK:** Monteringsvejledning  
**RO:** Instructiuni de instalare

Customer Service:

+30 (210) 5541161, +30 (210) 5541154 (08:00 - 16:00 EET)

Support department:

[info@gianso.gr](mailto:info@gianso.gr)

Website:

[www.tessera4x4.com](http://www.tessera4x4.com)

Address:

19.5 km of National road Athens-Korinthos (Elefsina) Greece, P.C: 19200