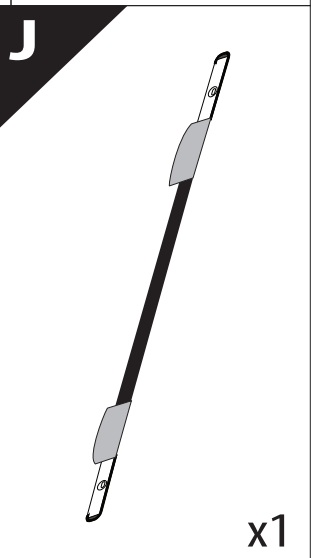
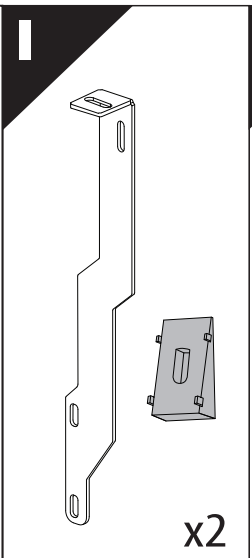
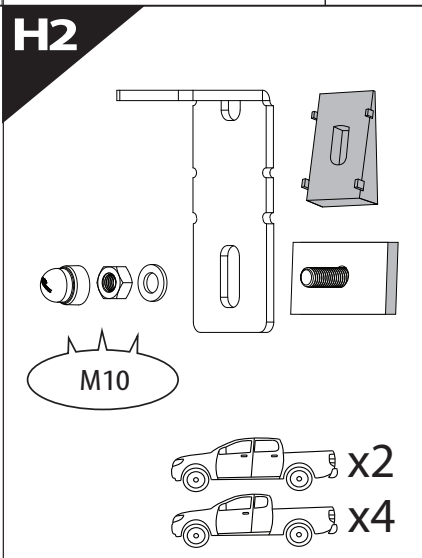
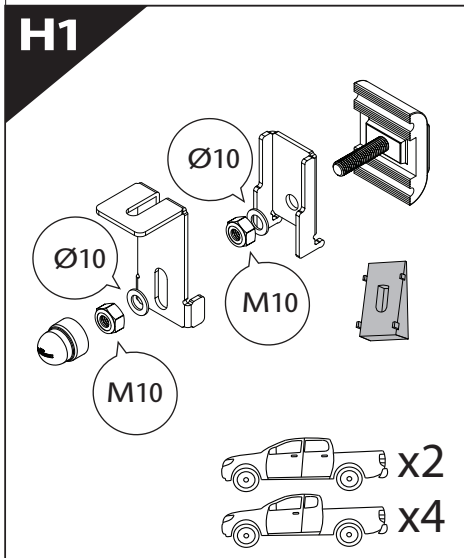
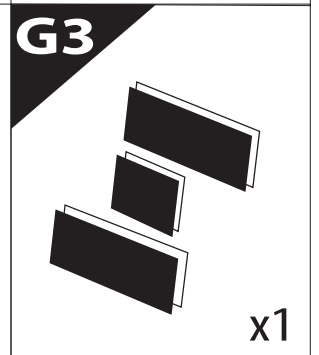
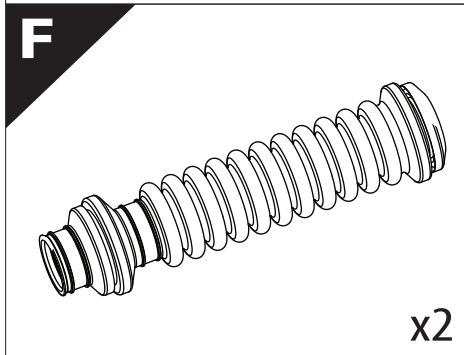
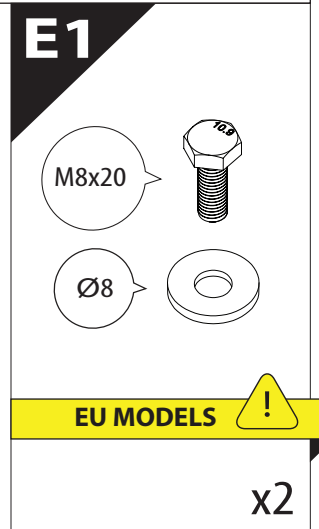
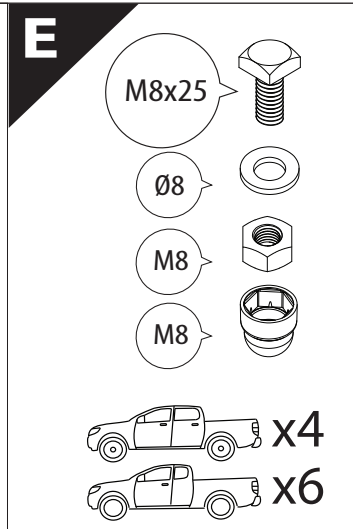
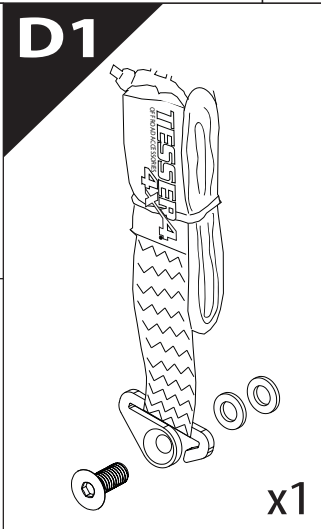
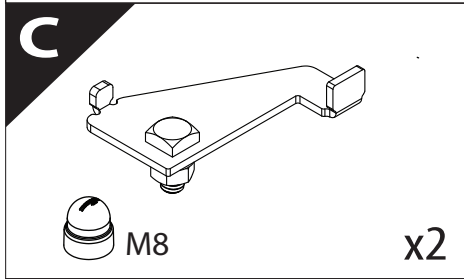
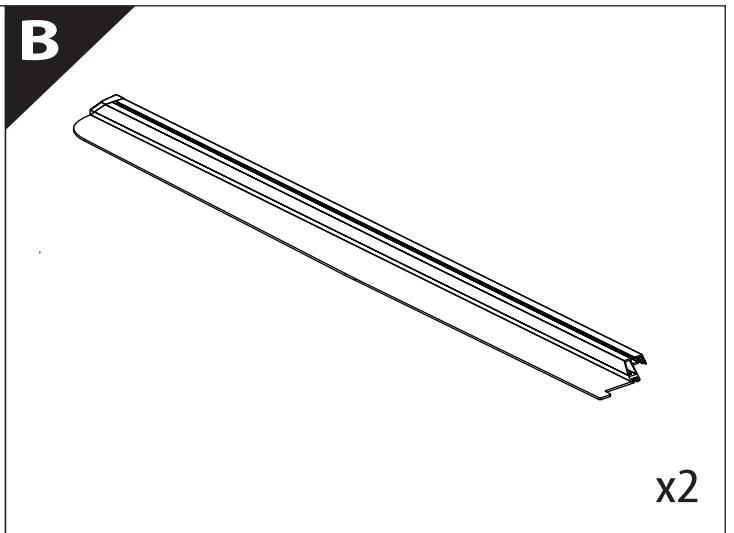
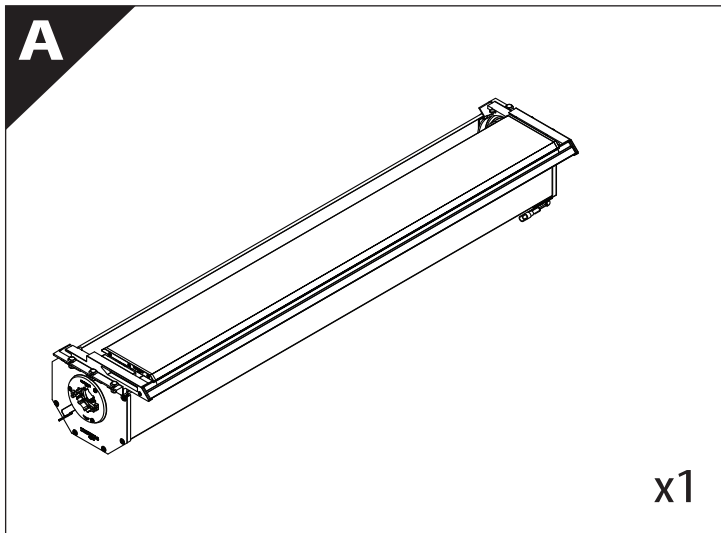


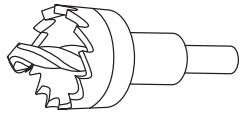
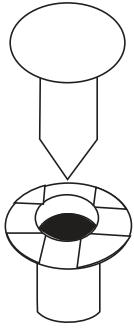
## Installation Manual

<b>PART NUMBER(S)</b>	<b>Model Year</b>
<b>TESS 15060 SE</b>	<b>FORD RANGER 2023+ (P 703) WITH OR WITHOUT C-CHANNELS</b>
<b>TESS 15070 SE</b>	
<b>Cab(s)</b>	<b>Installation Time / Weight</b>
<b>Double Cab &amp; Space cab</b>	<b>40-60 minutes / 53-57 kg</b>

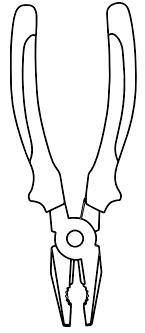
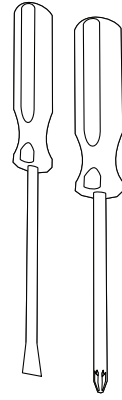
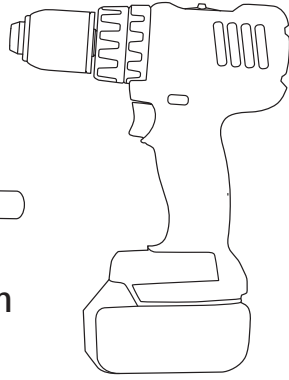


**K**

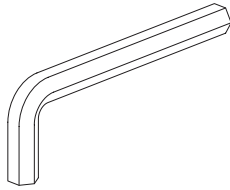
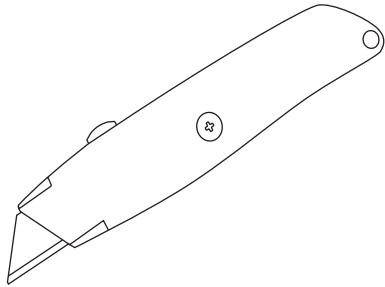
x2



Ø 25 mm

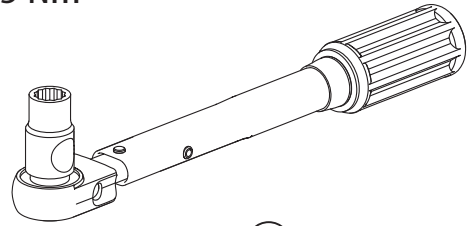


**US MODELS**

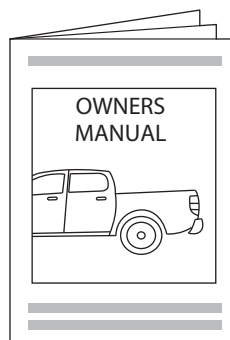
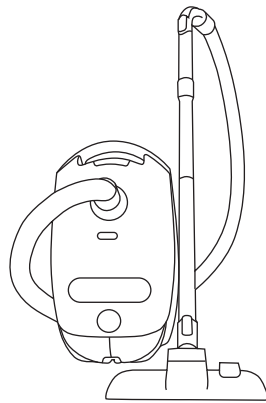
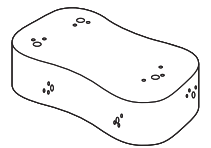
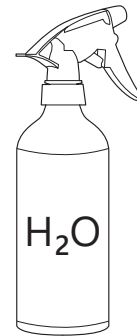
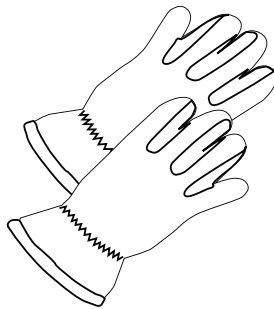
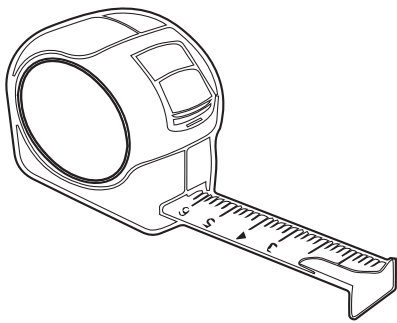


4 mm

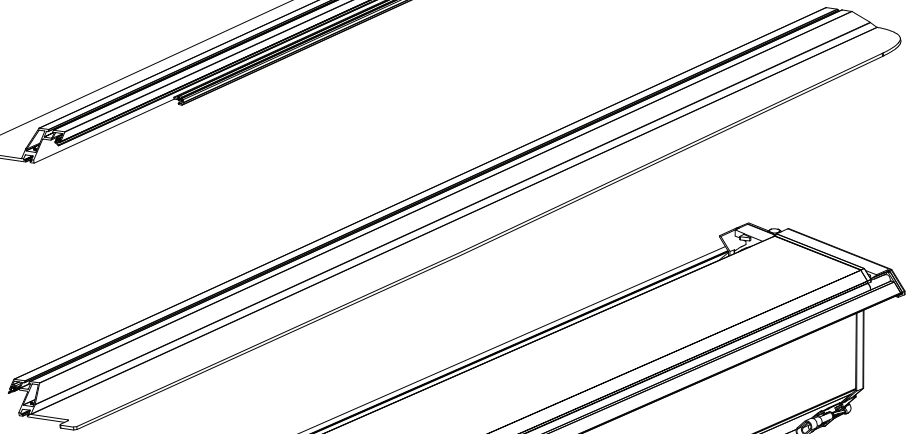
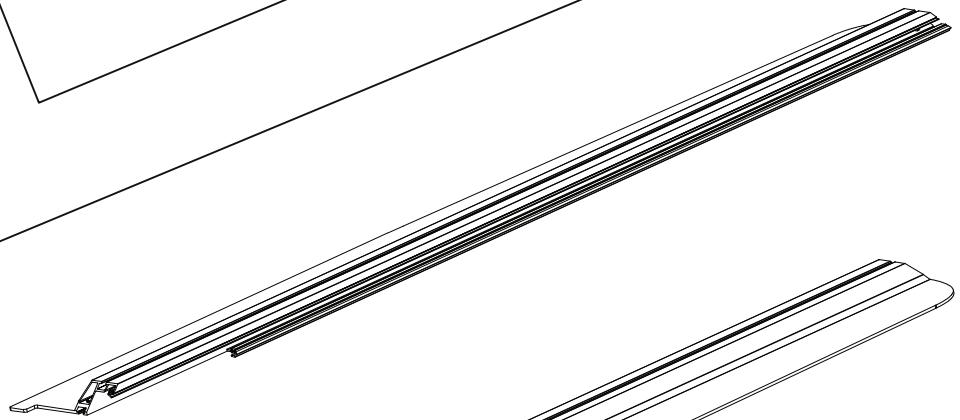
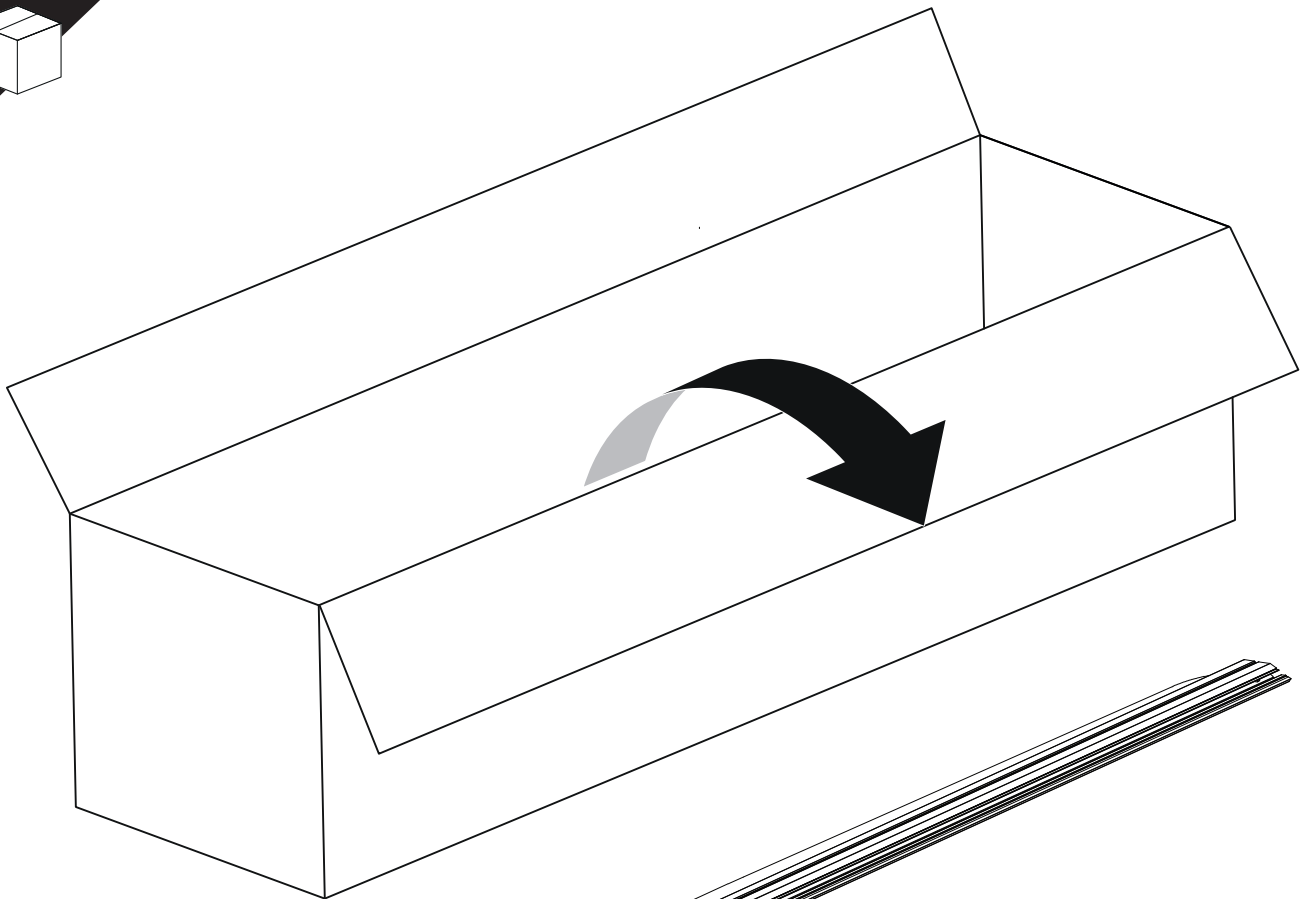
1 - 25 Nm



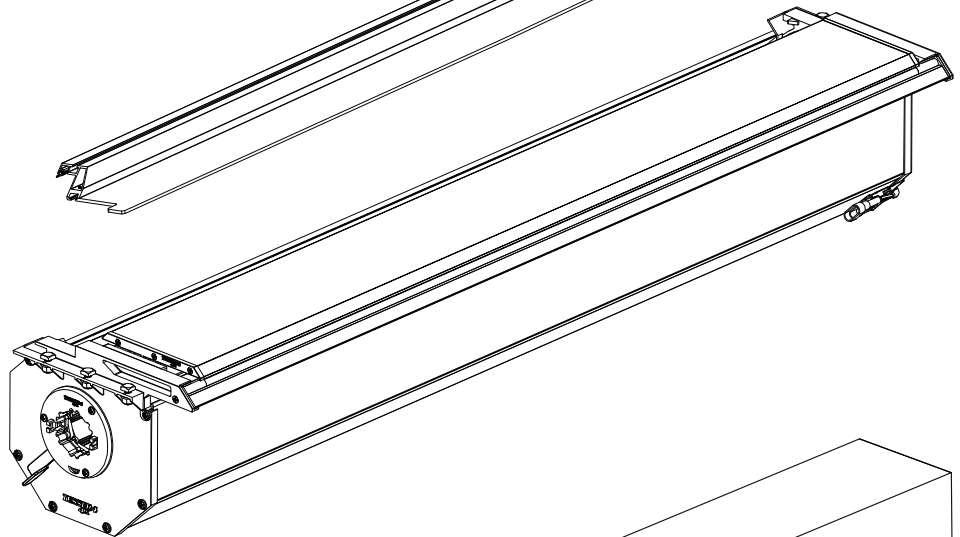
10, 12, 13, 17 mm



x1

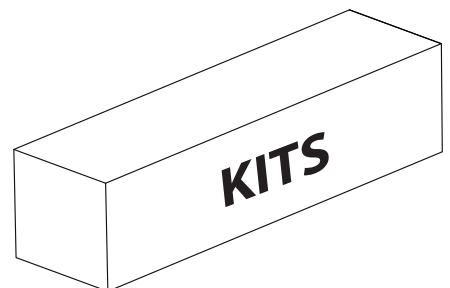


**B**

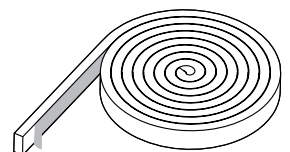


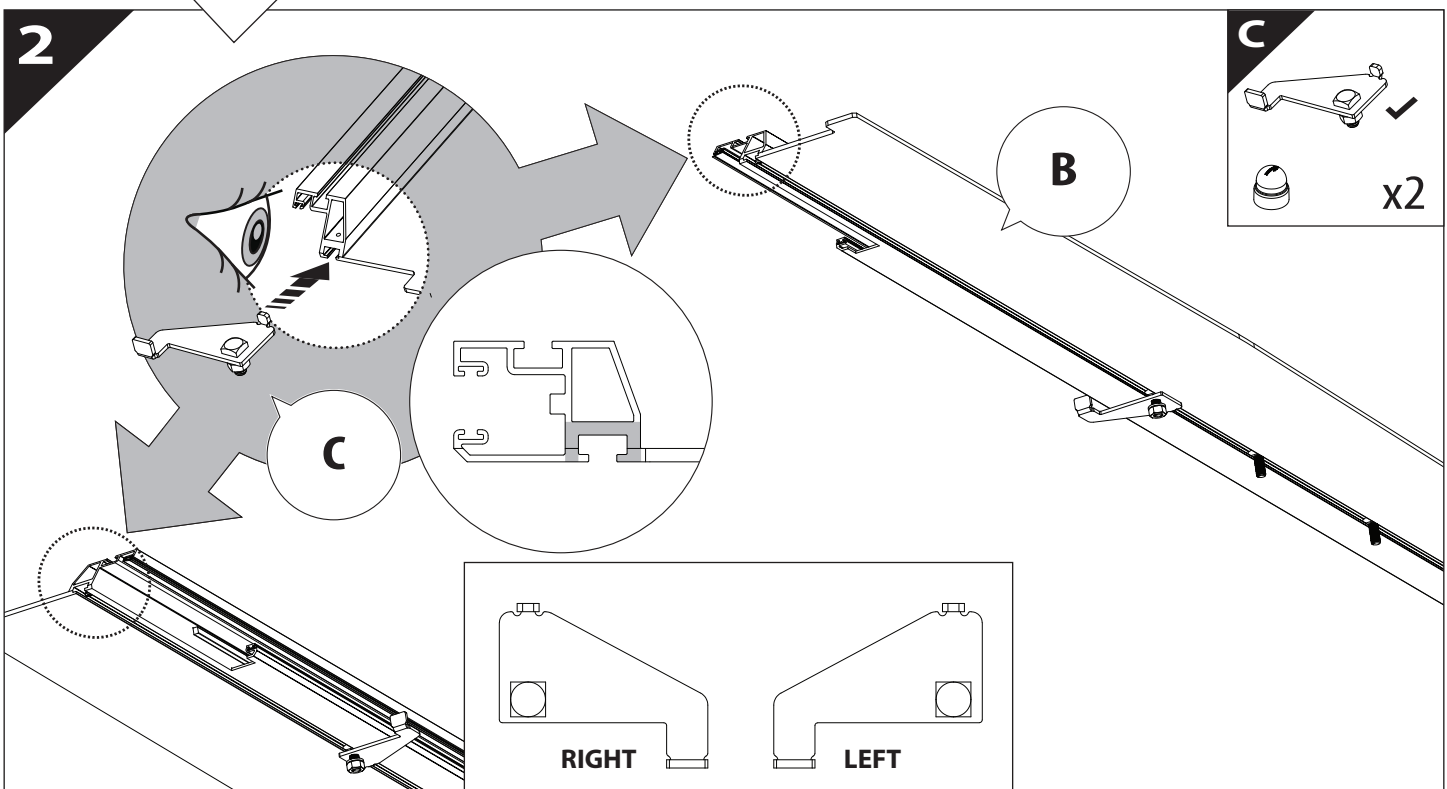
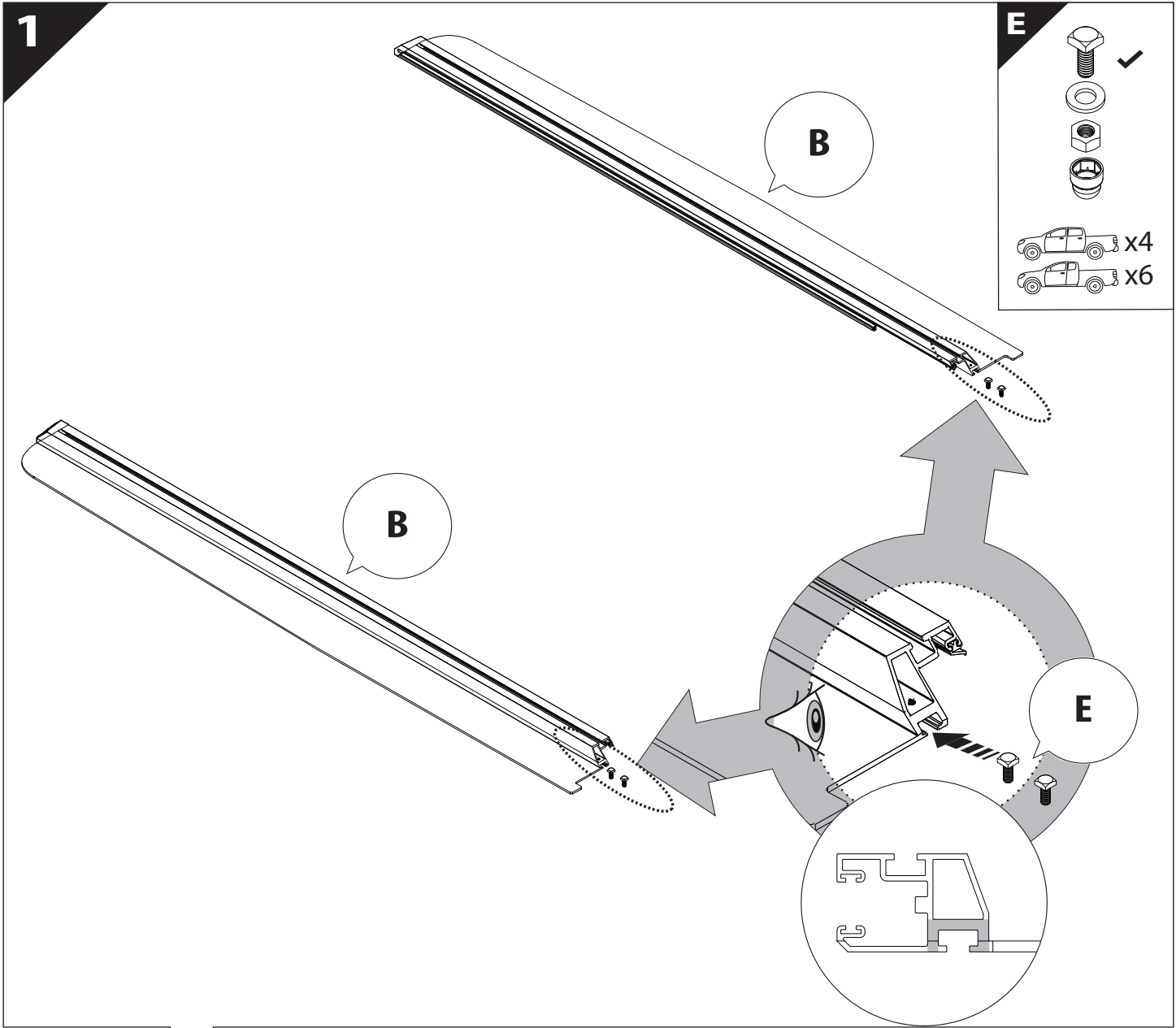
**A**

**KITS**

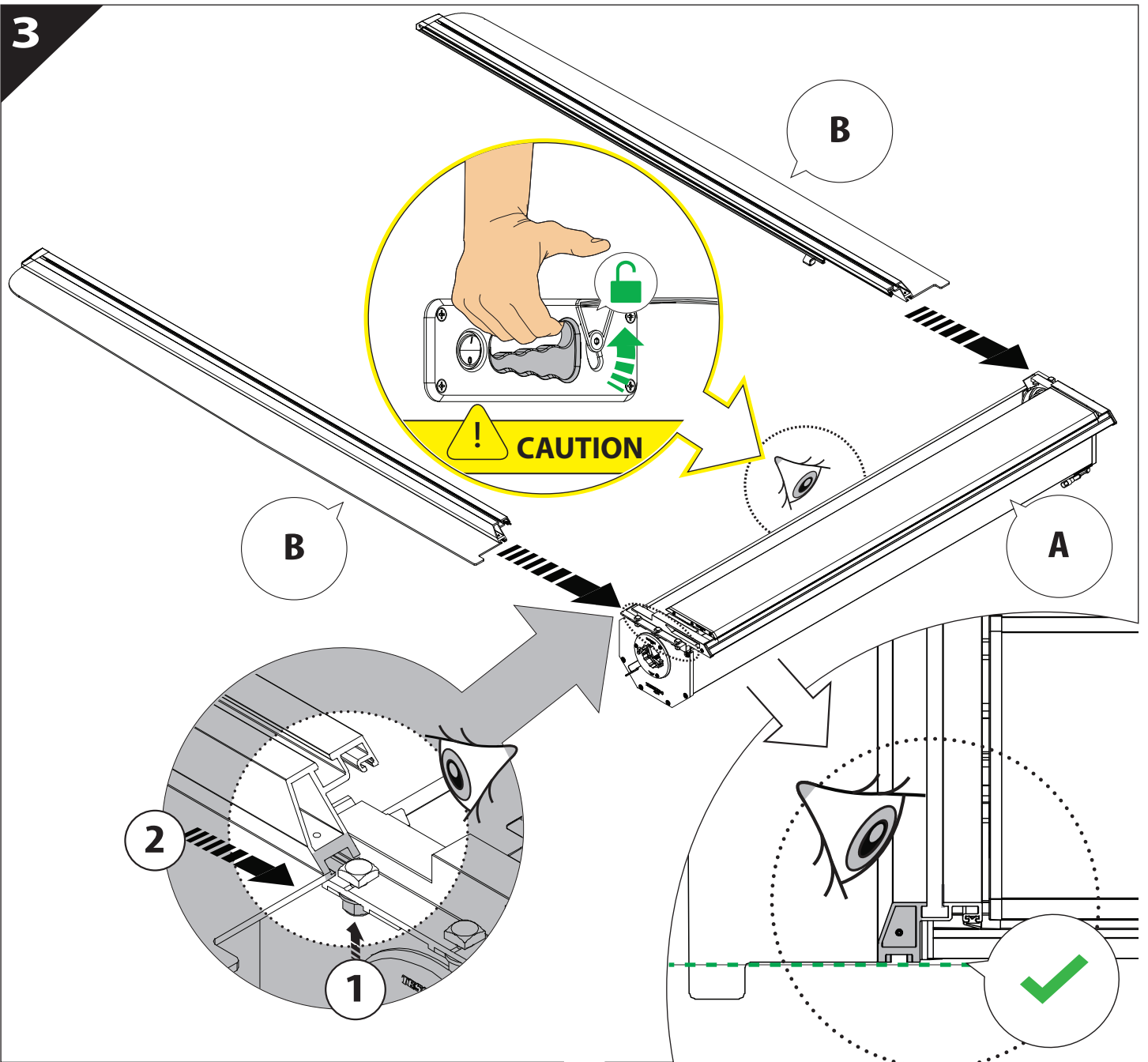


**G**

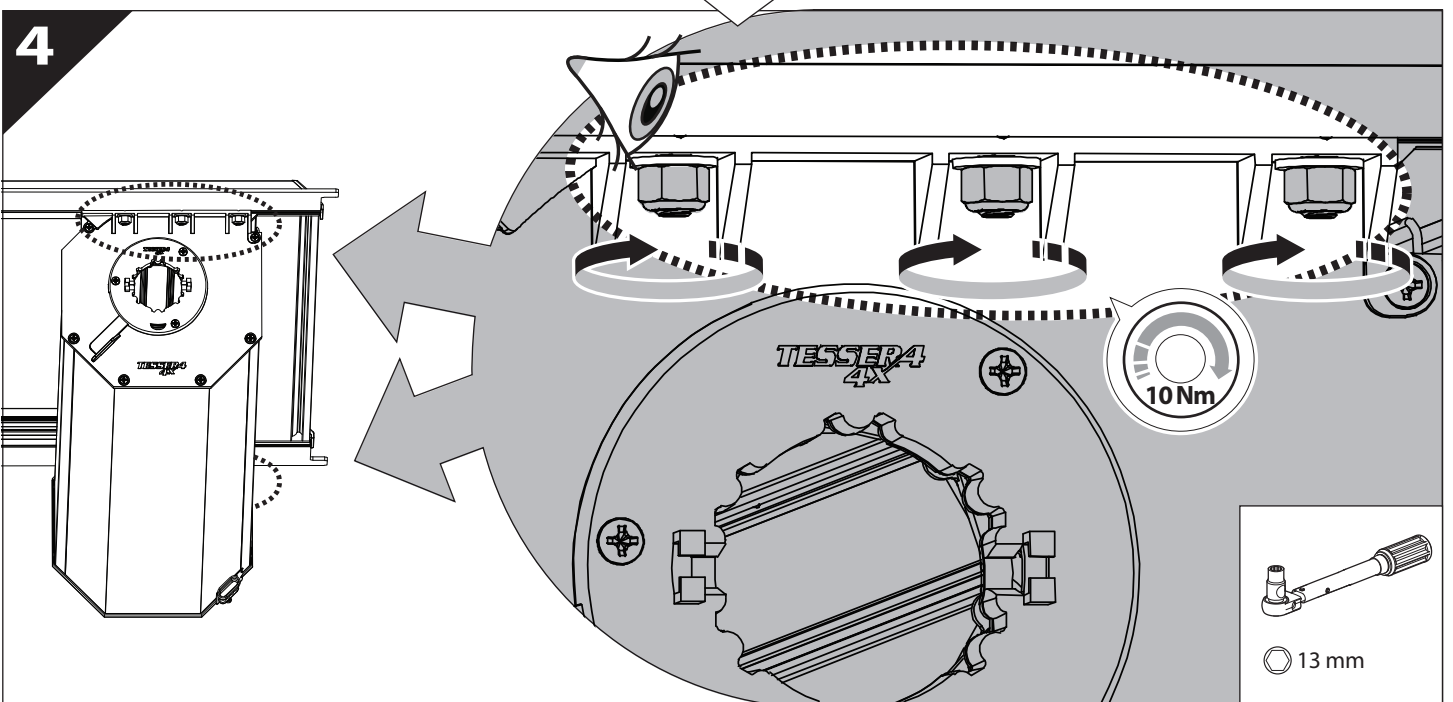


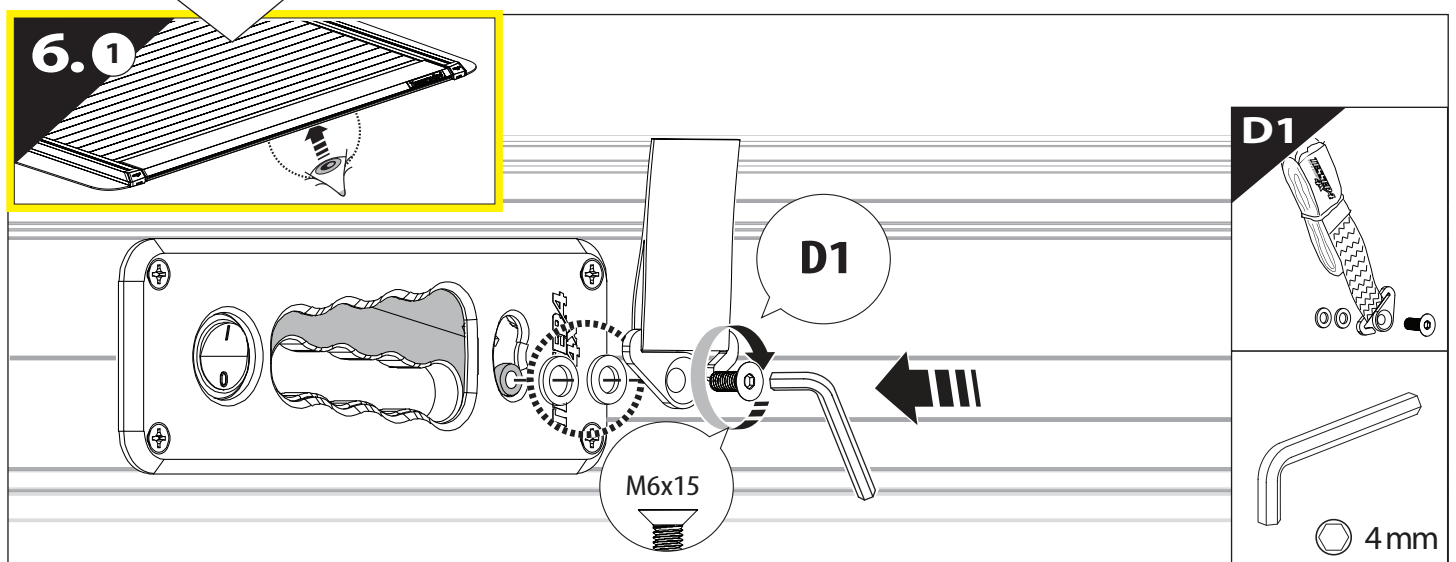
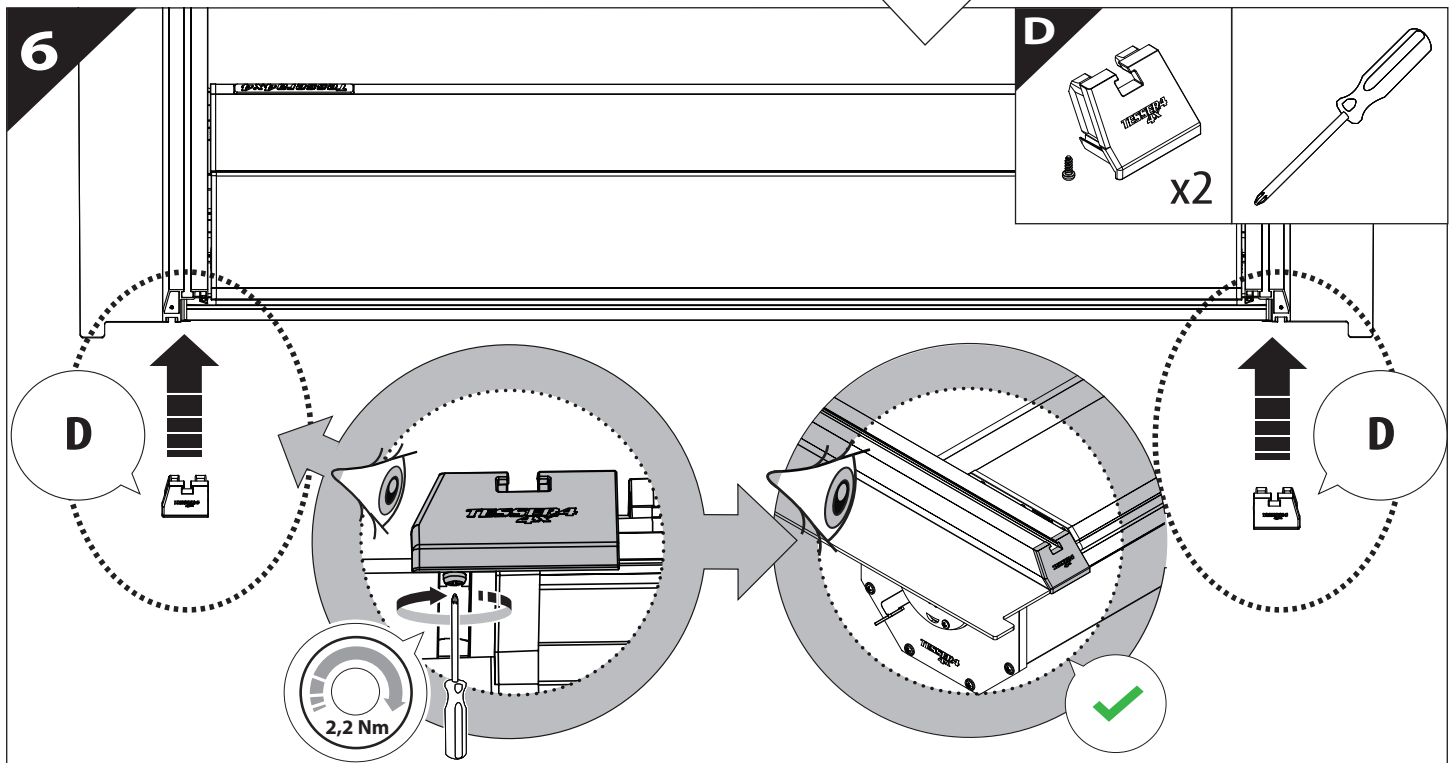
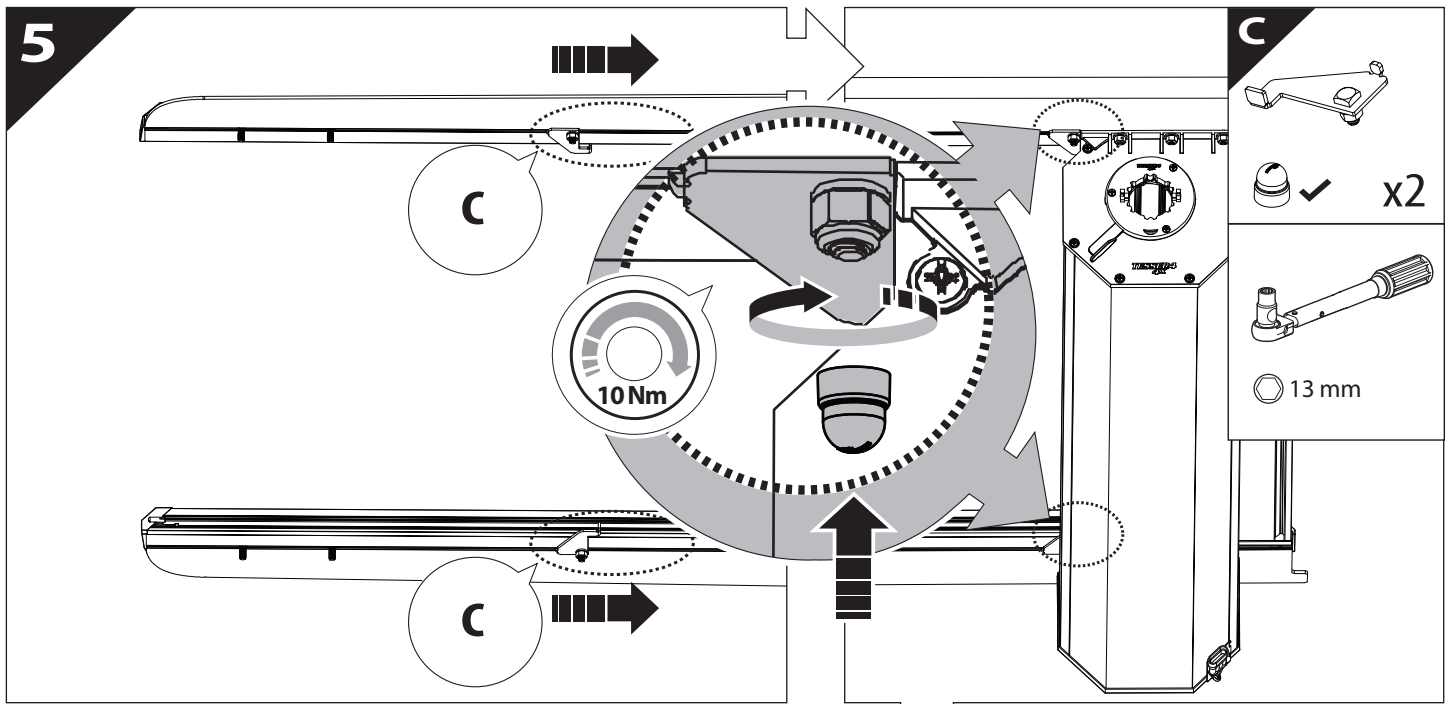


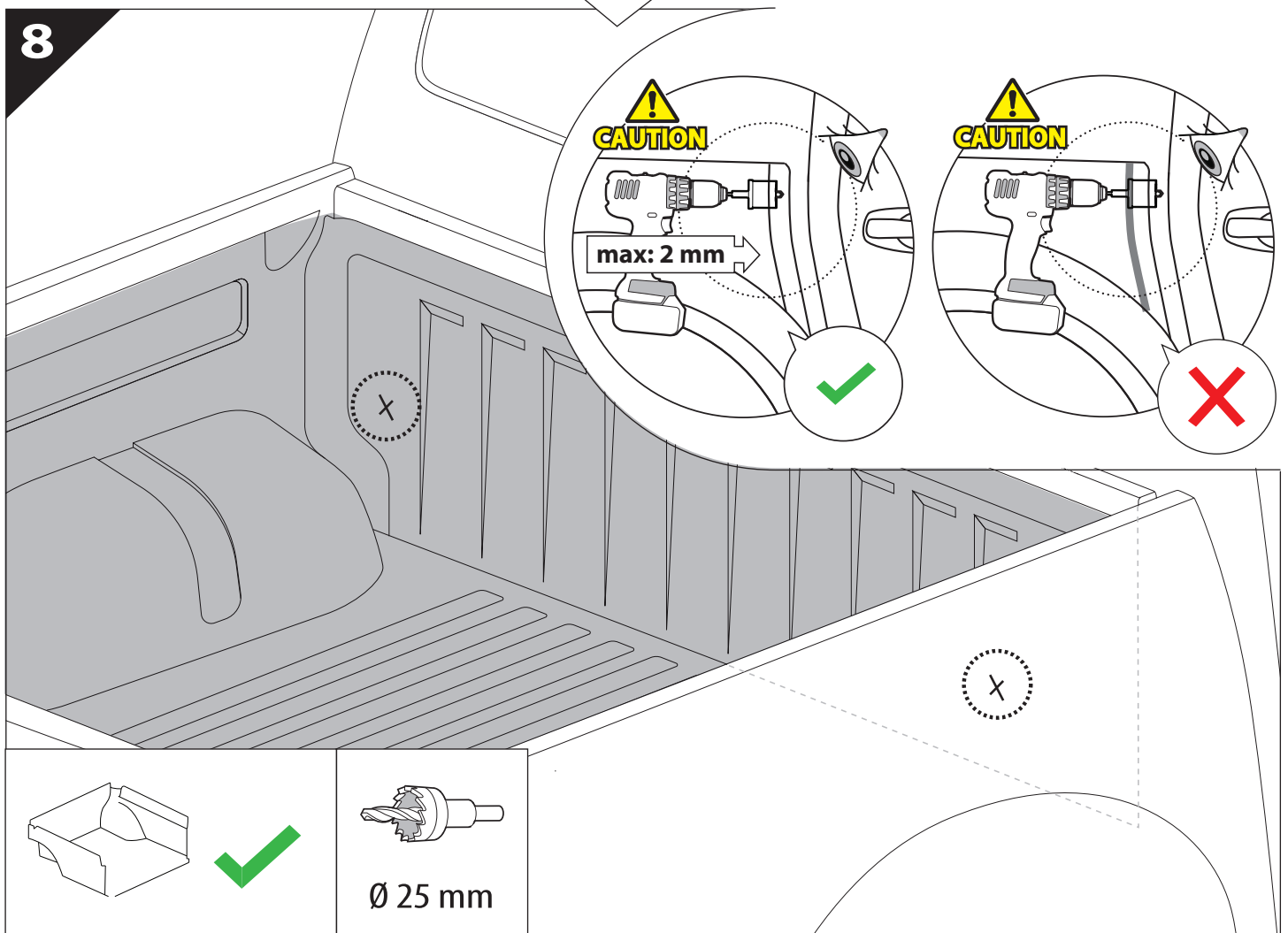
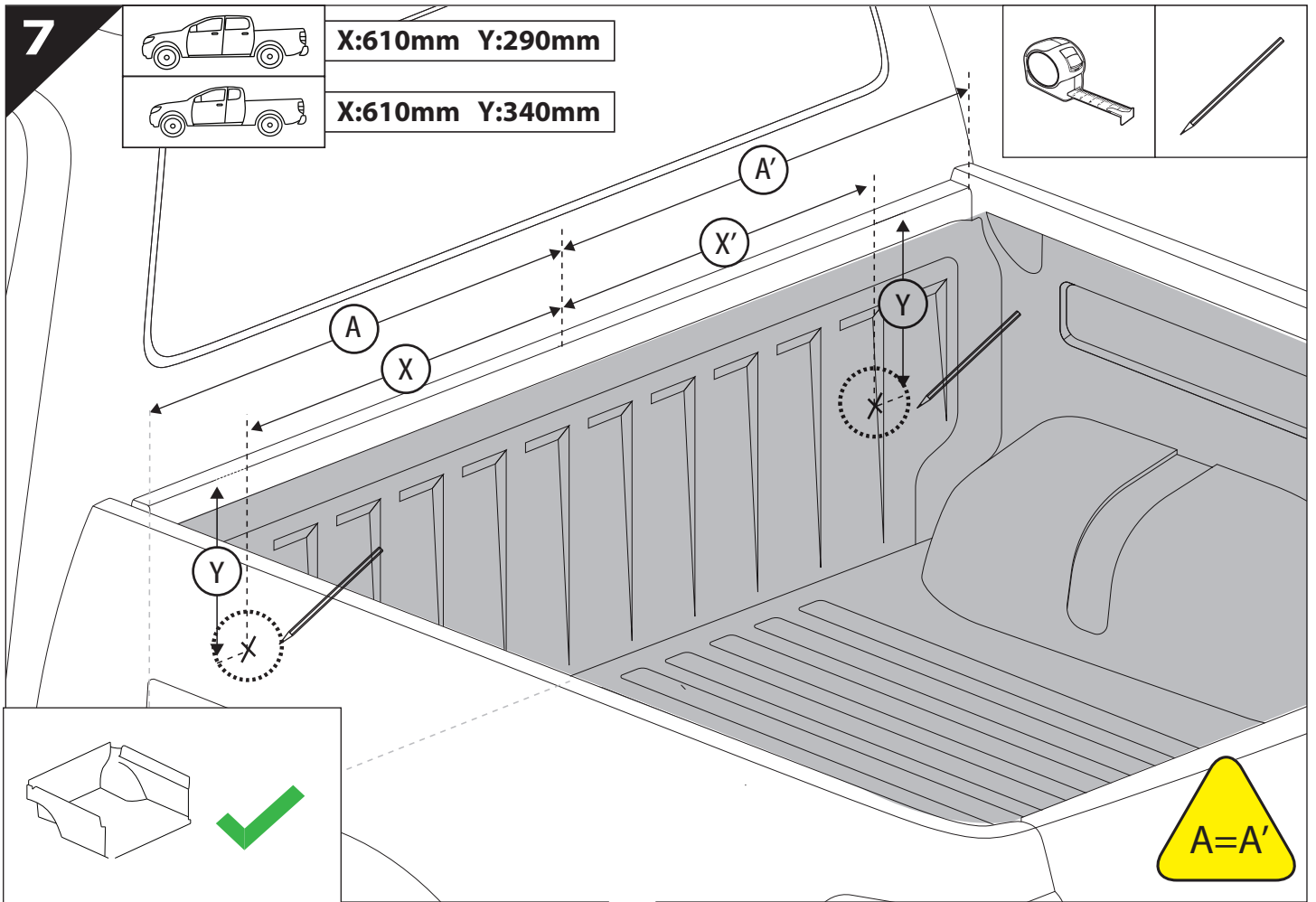
3

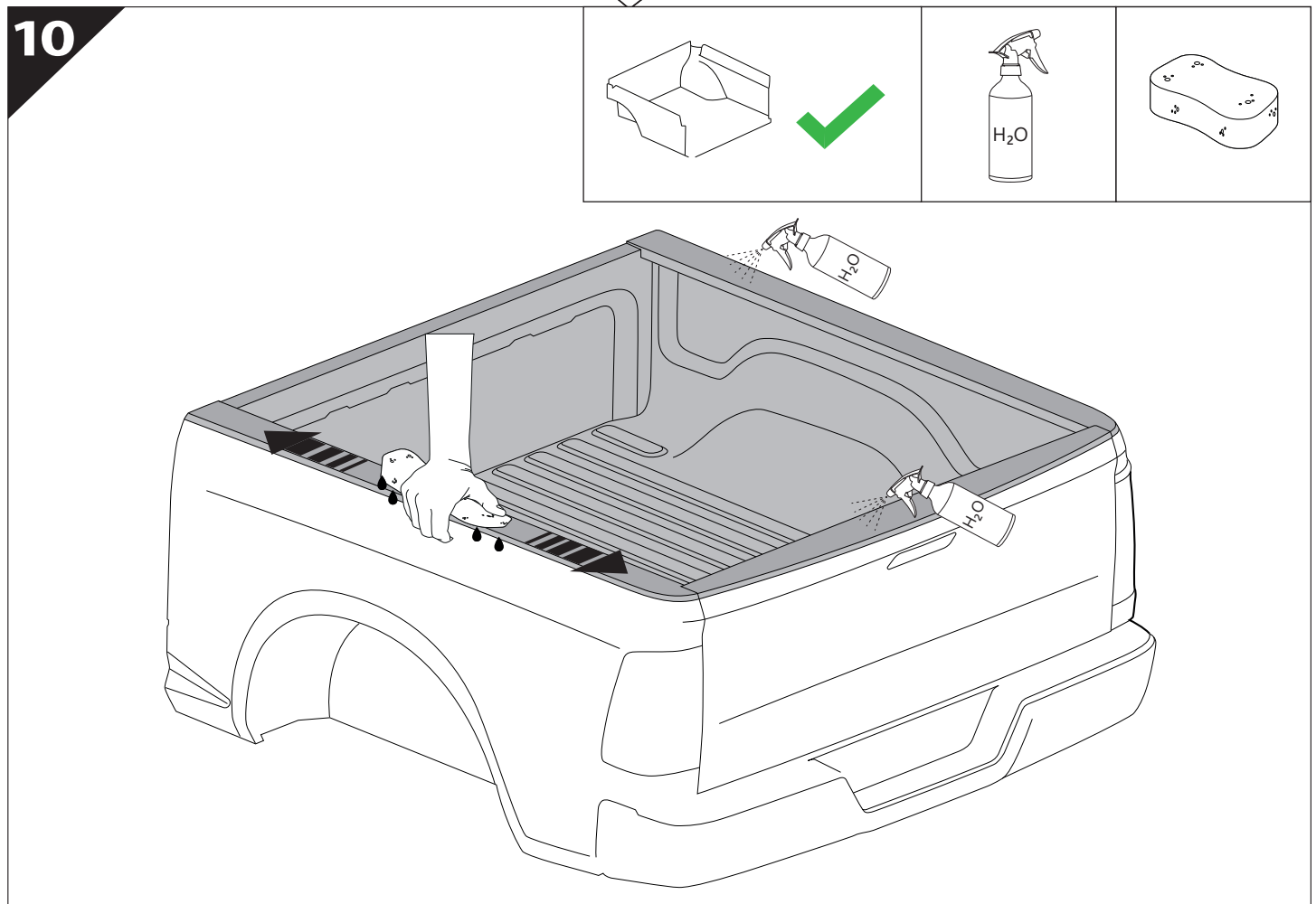
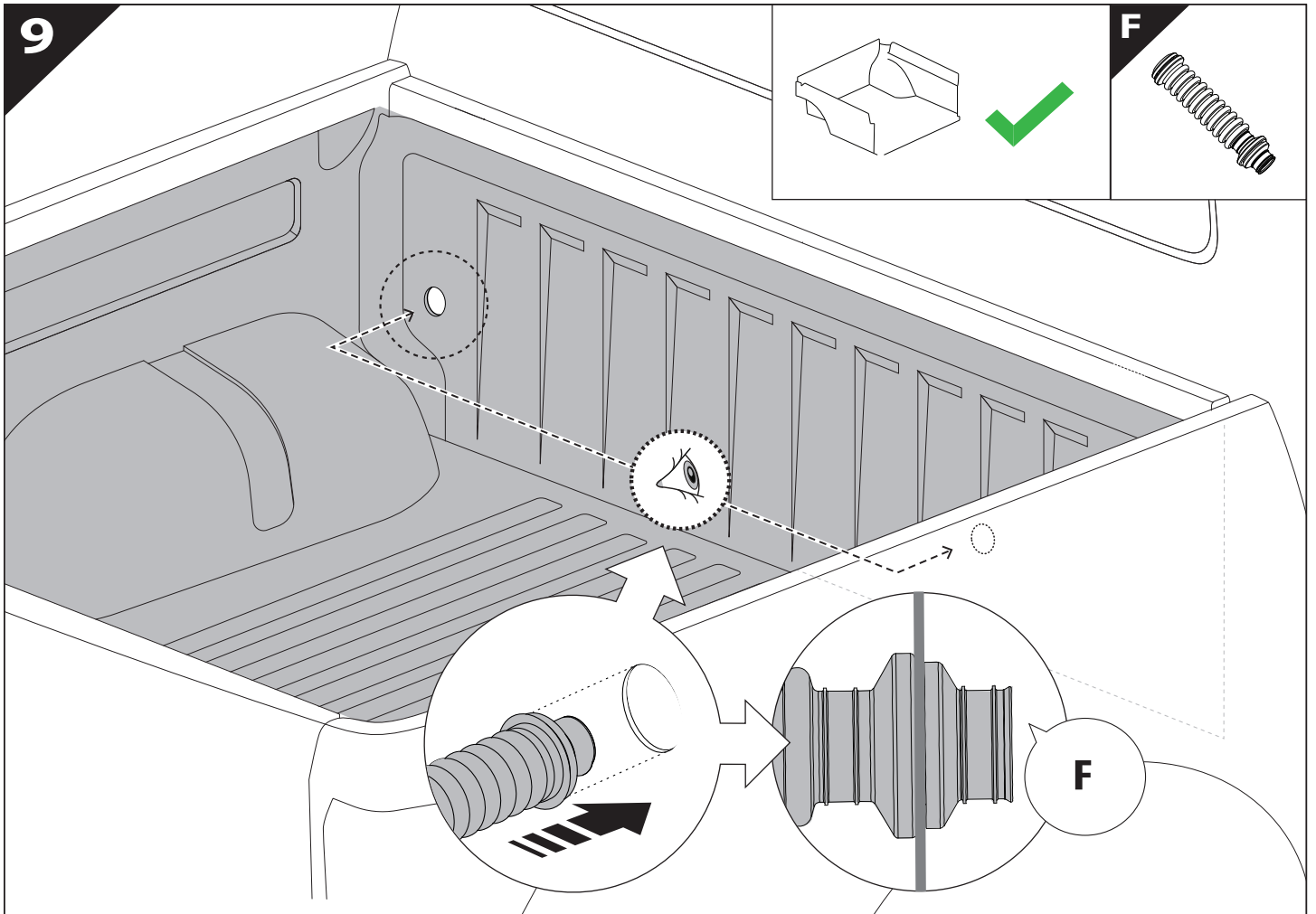


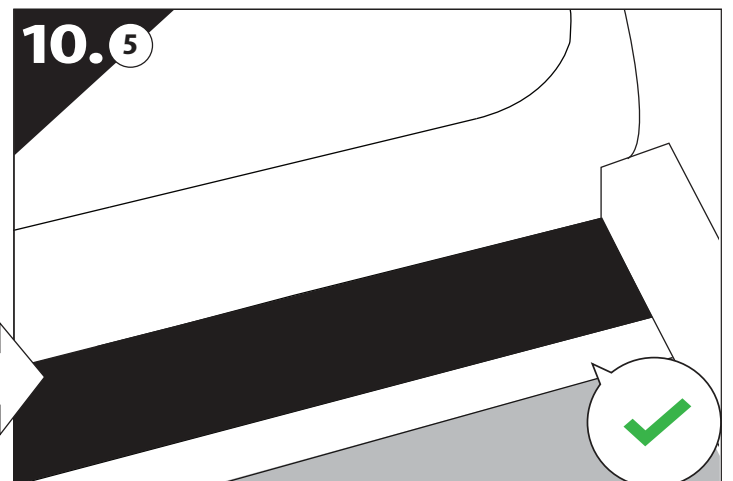
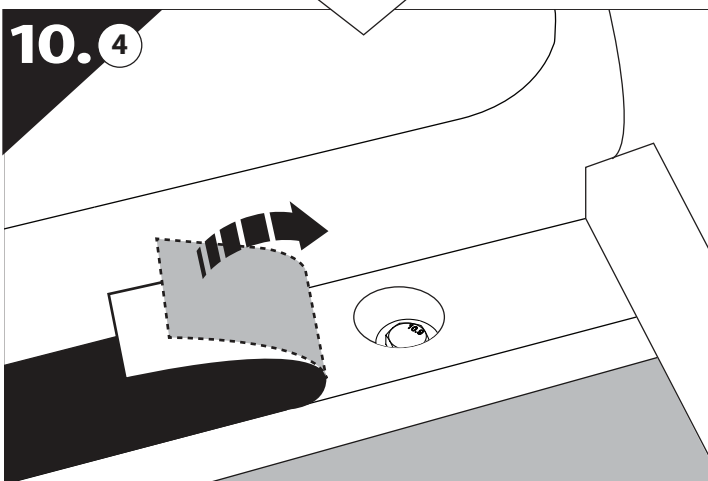
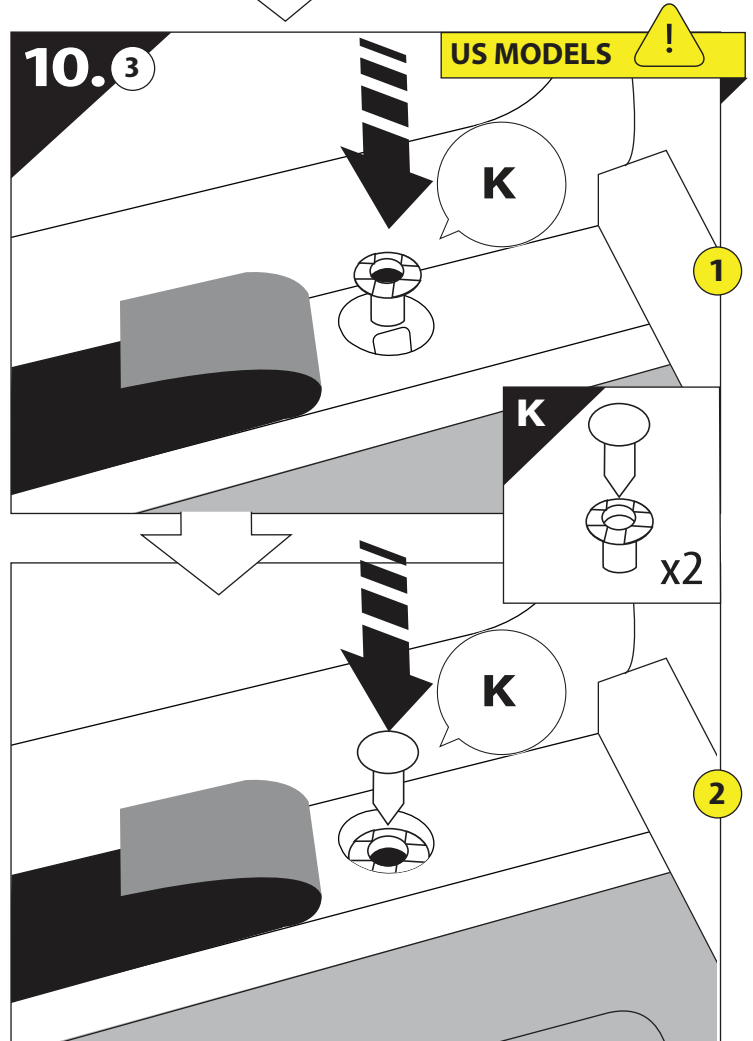
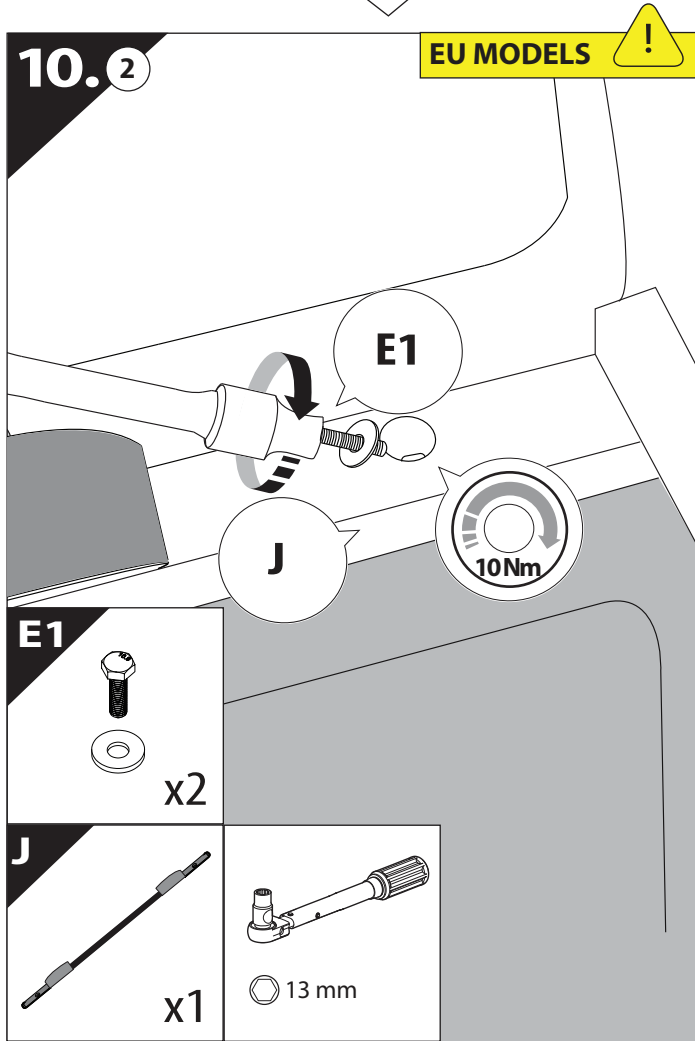
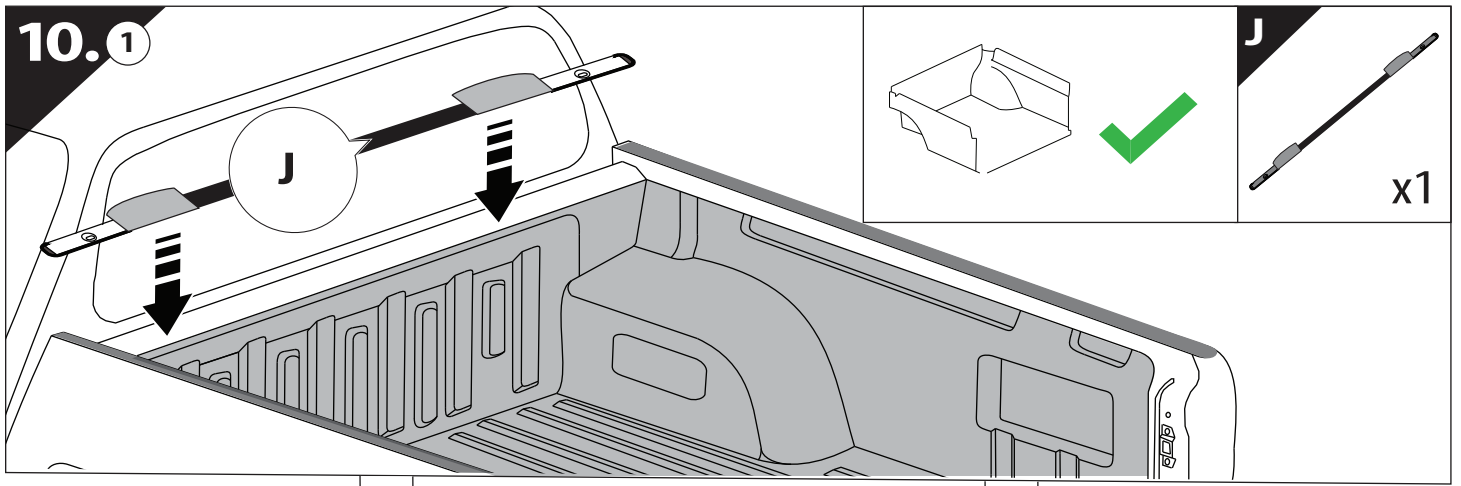
4





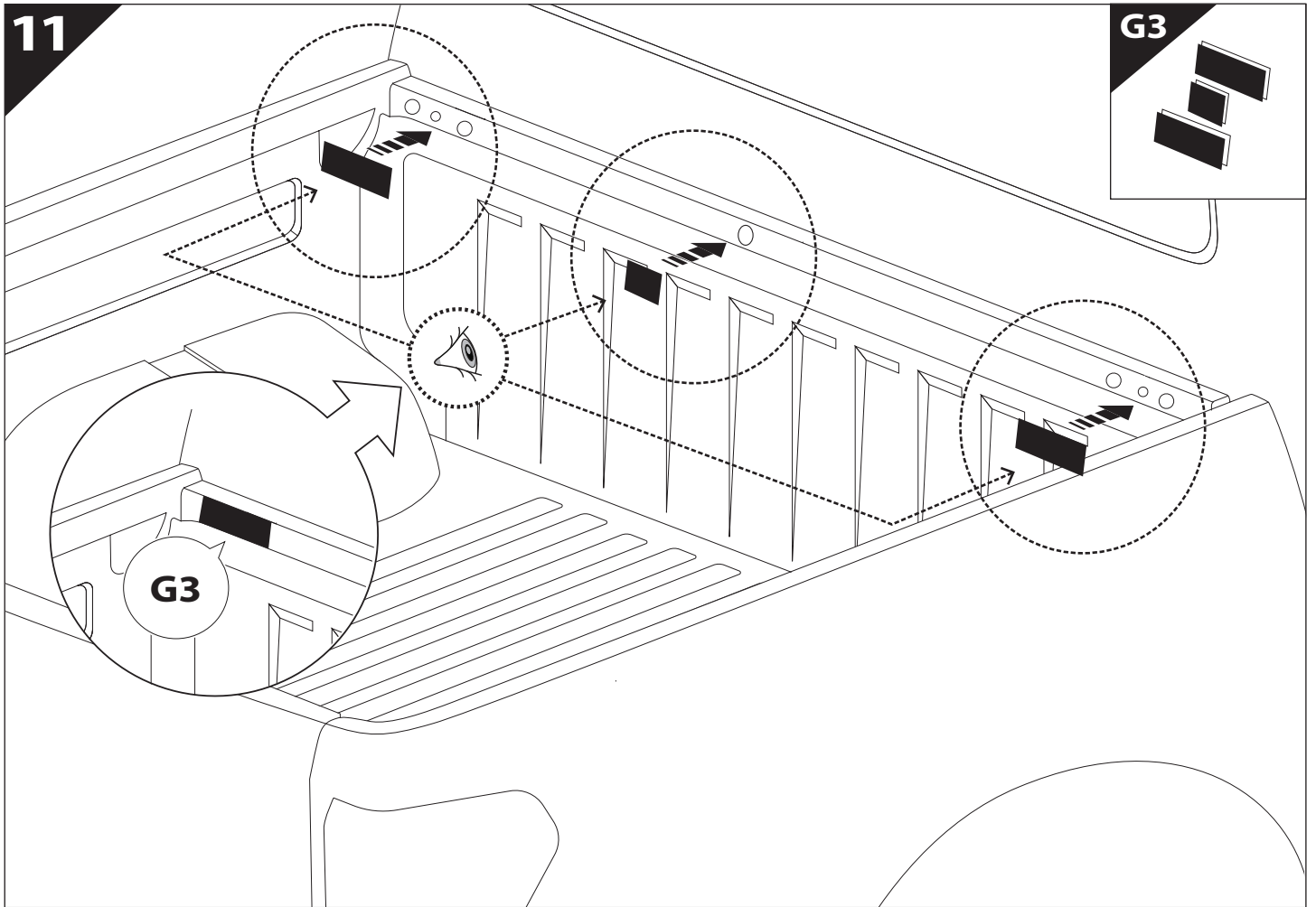


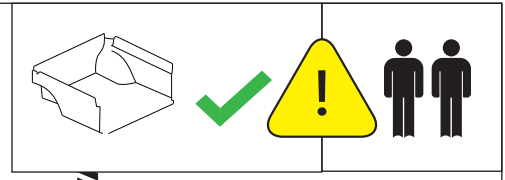
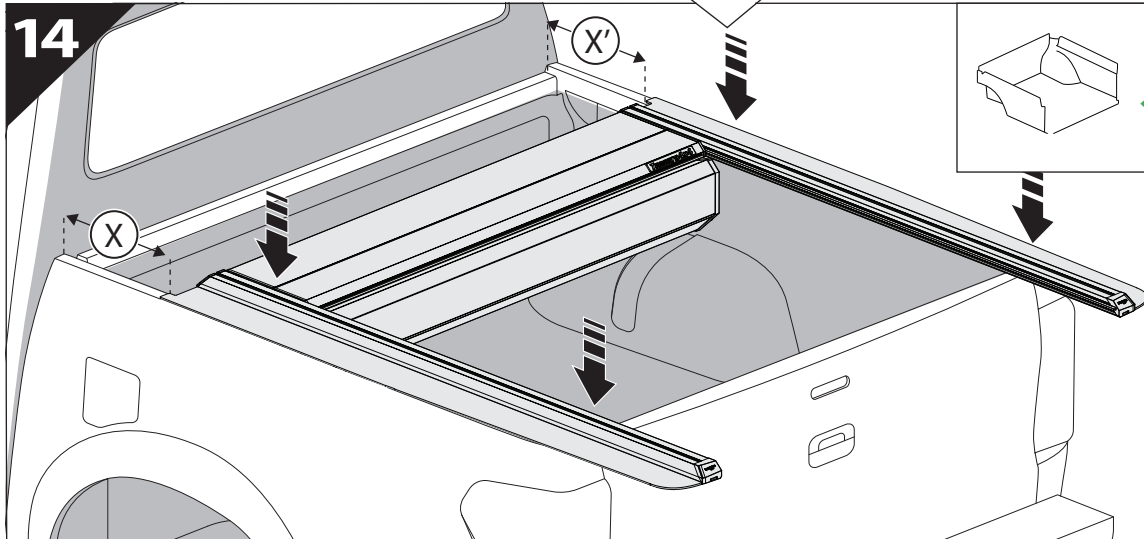
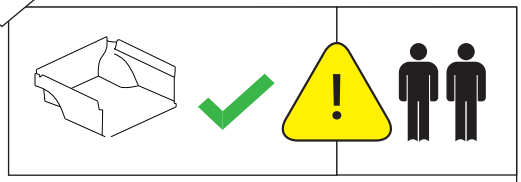
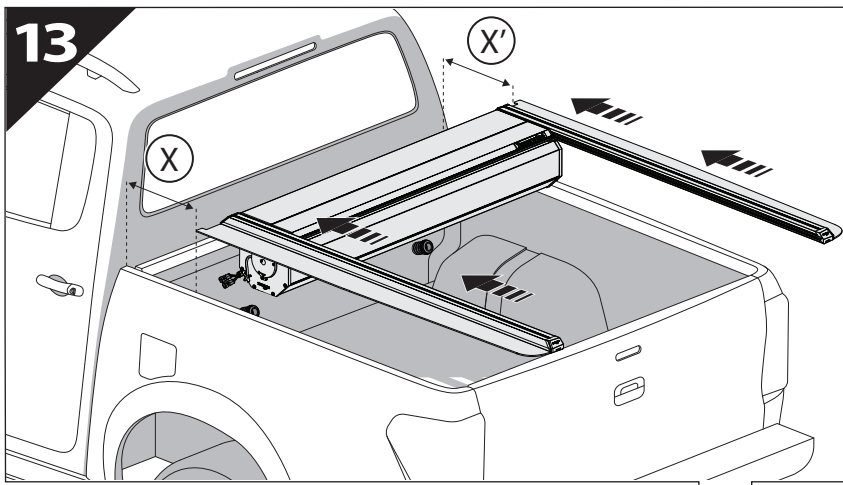
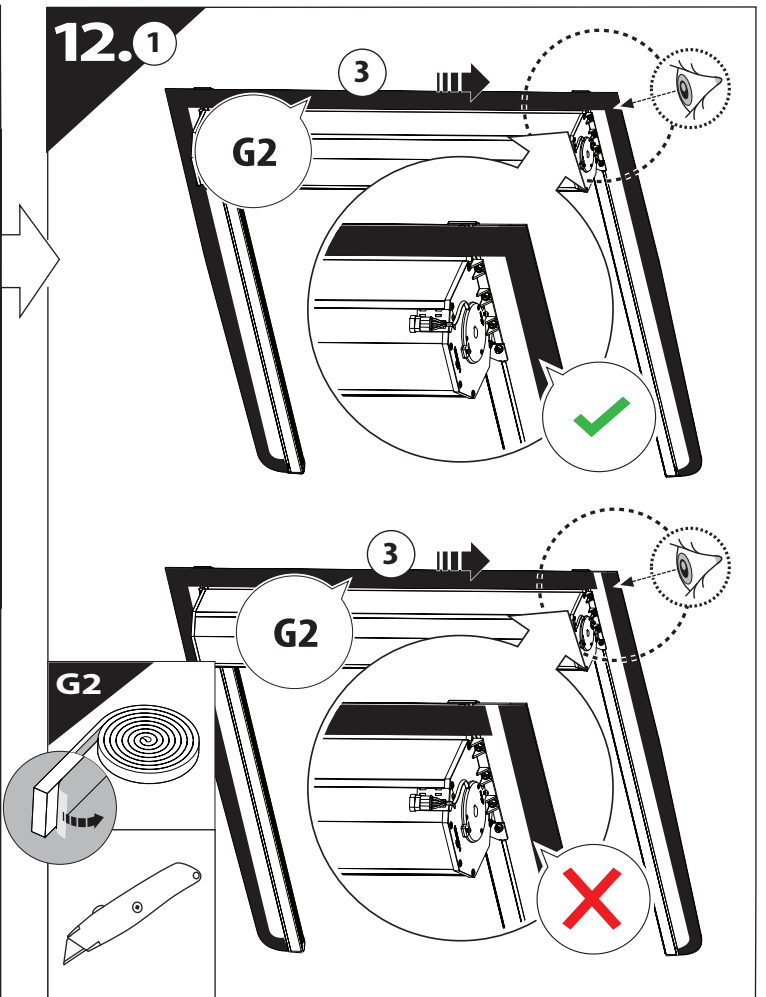
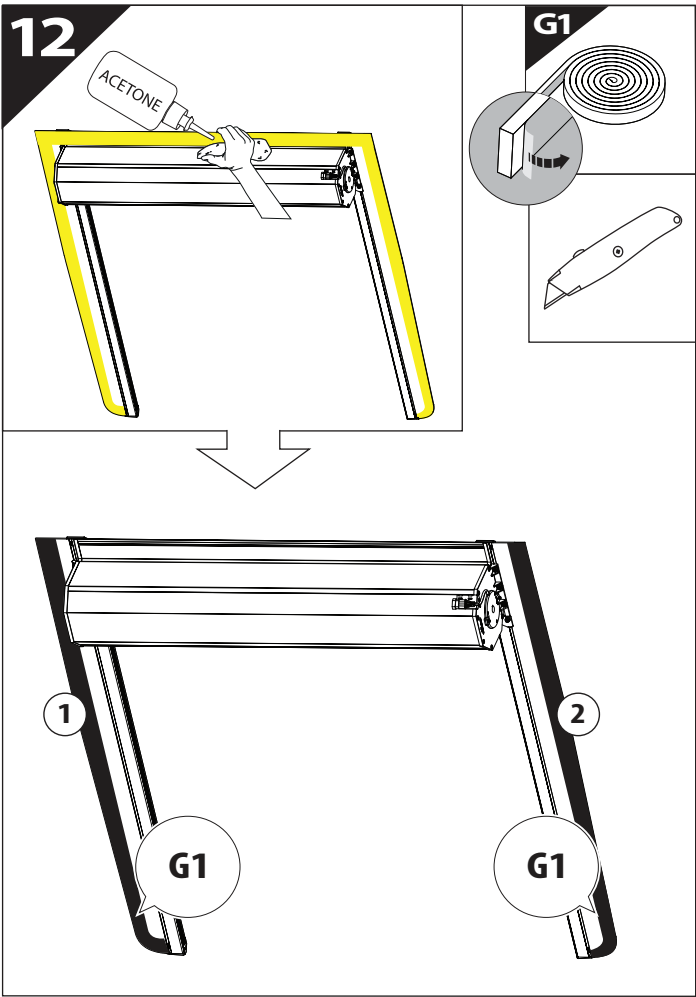


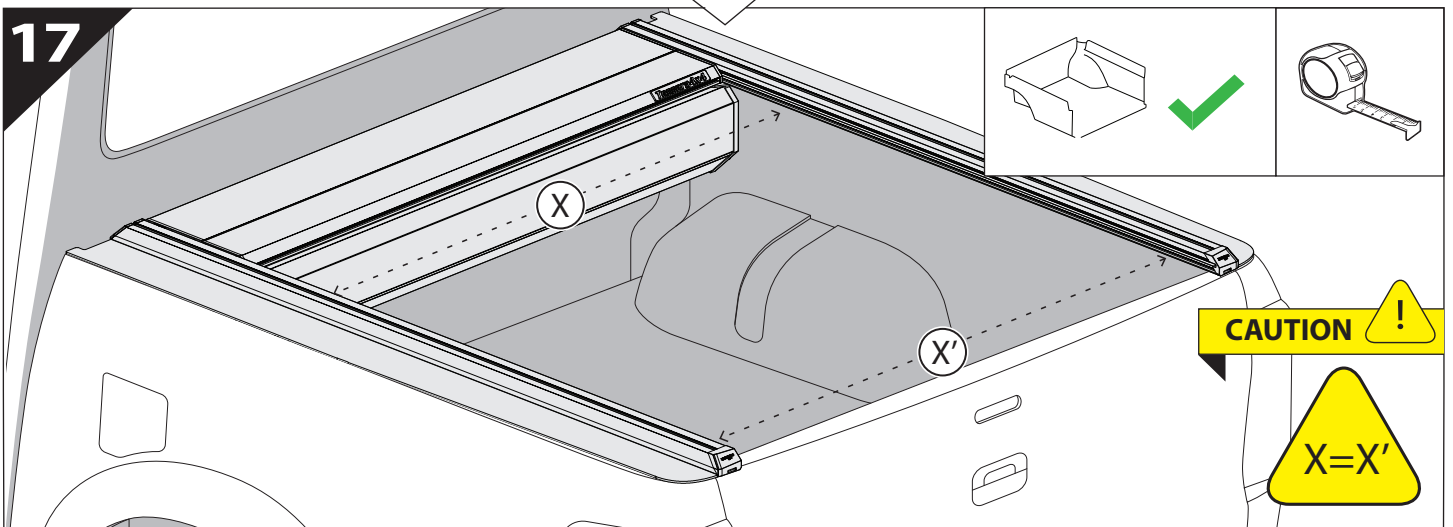
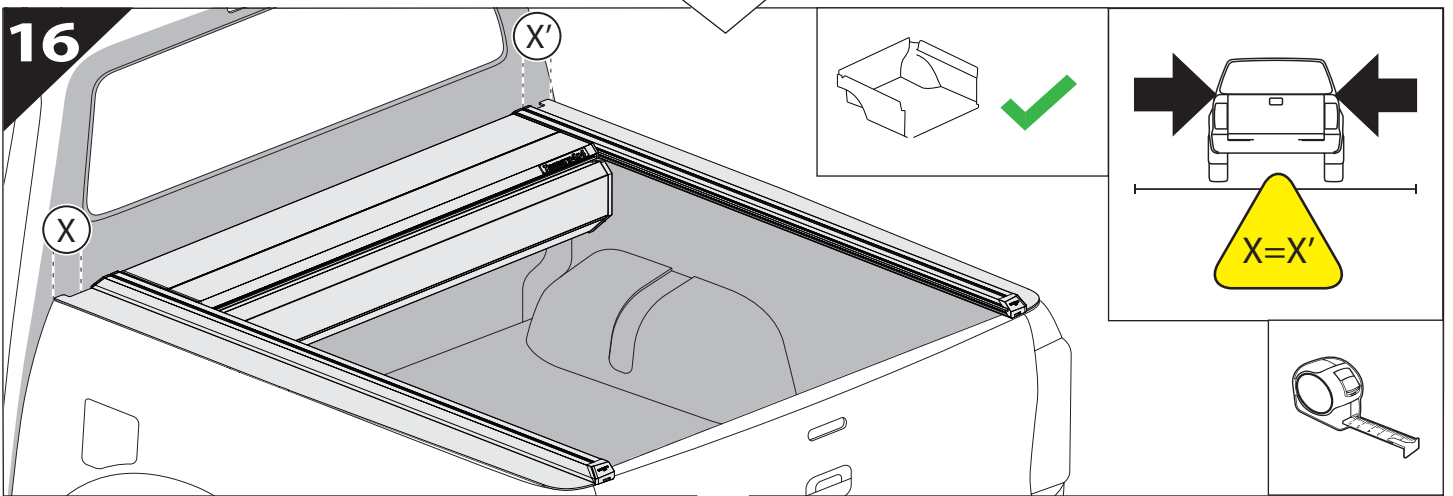
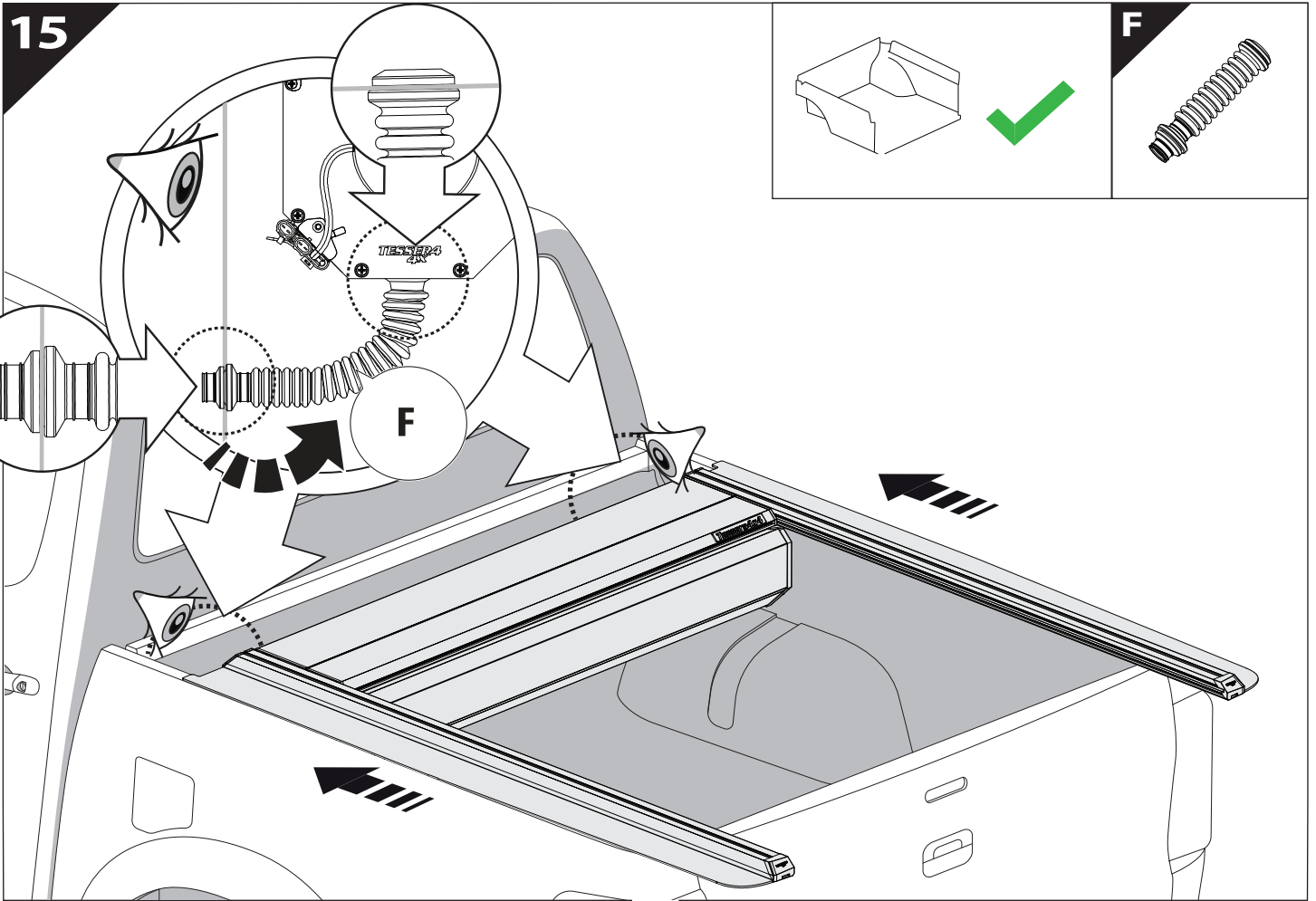


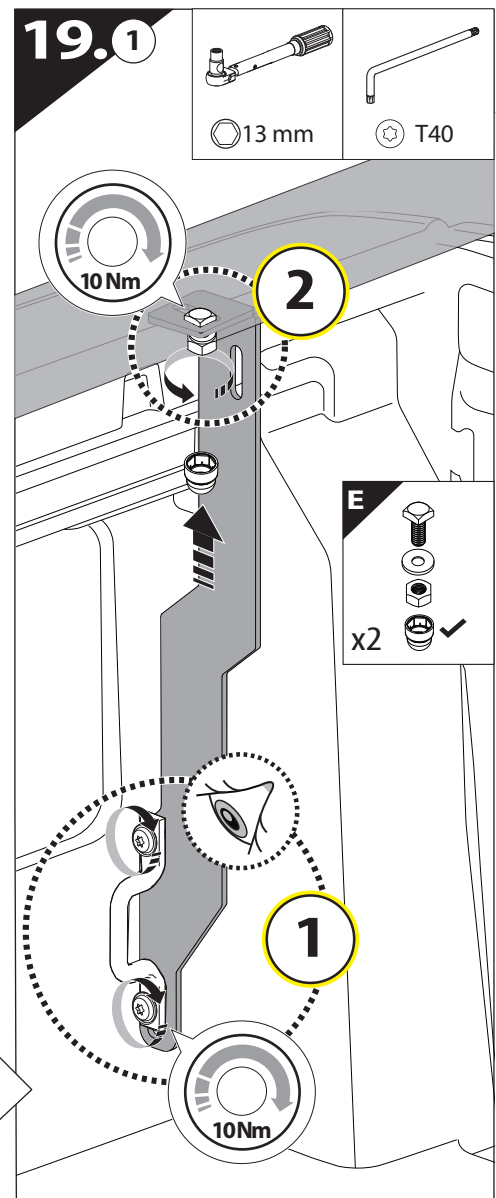
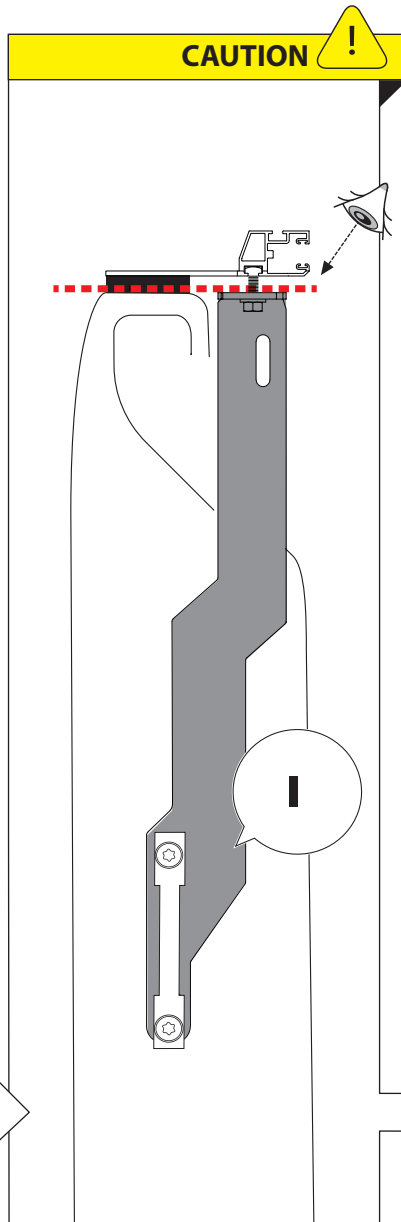
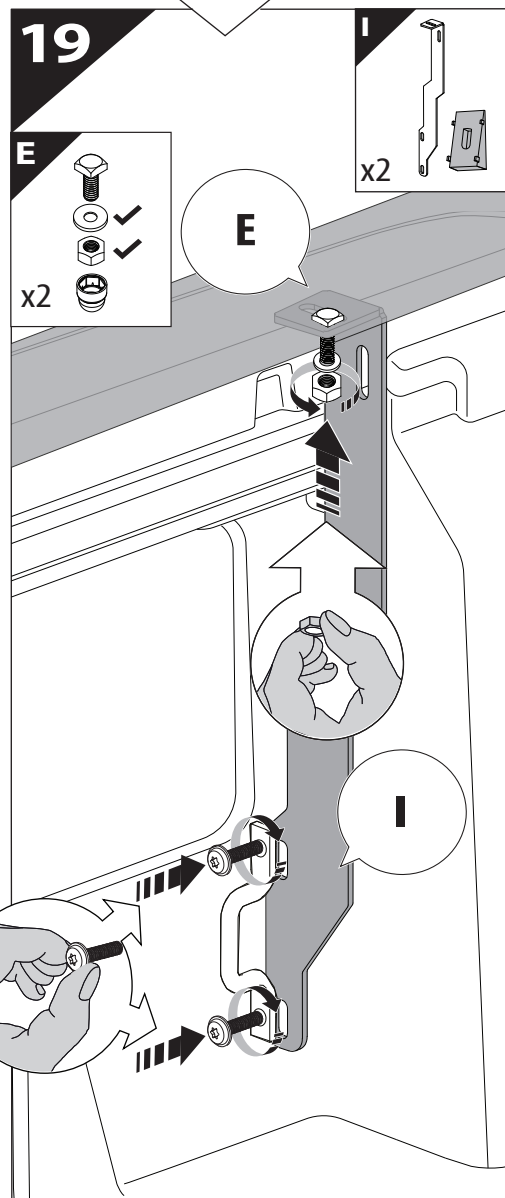
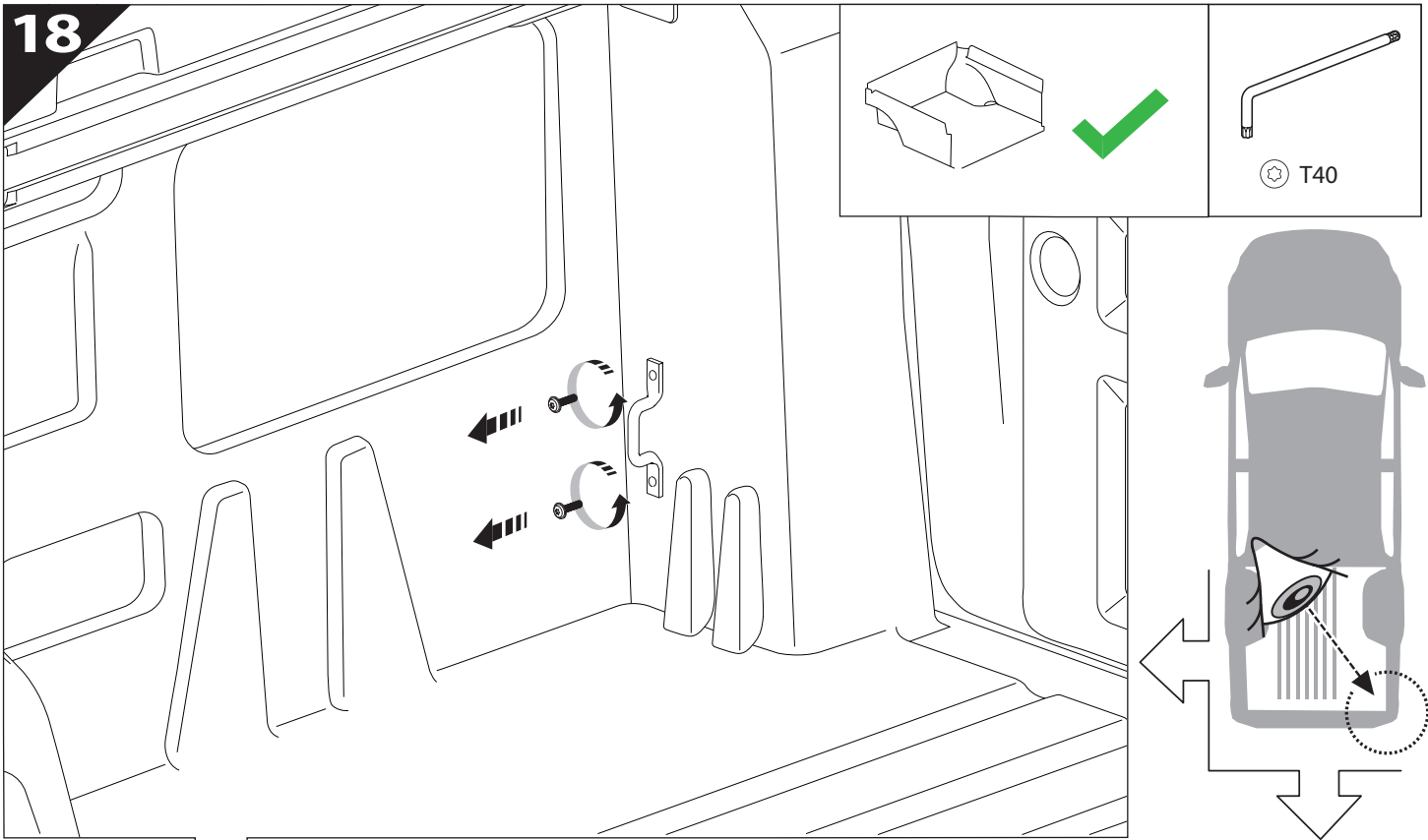
11

G3



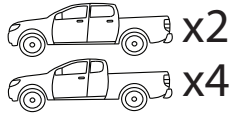
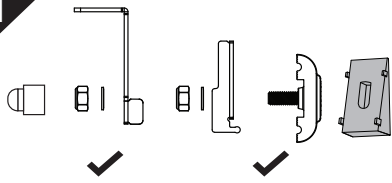




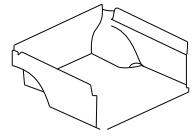
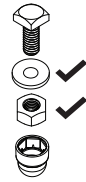




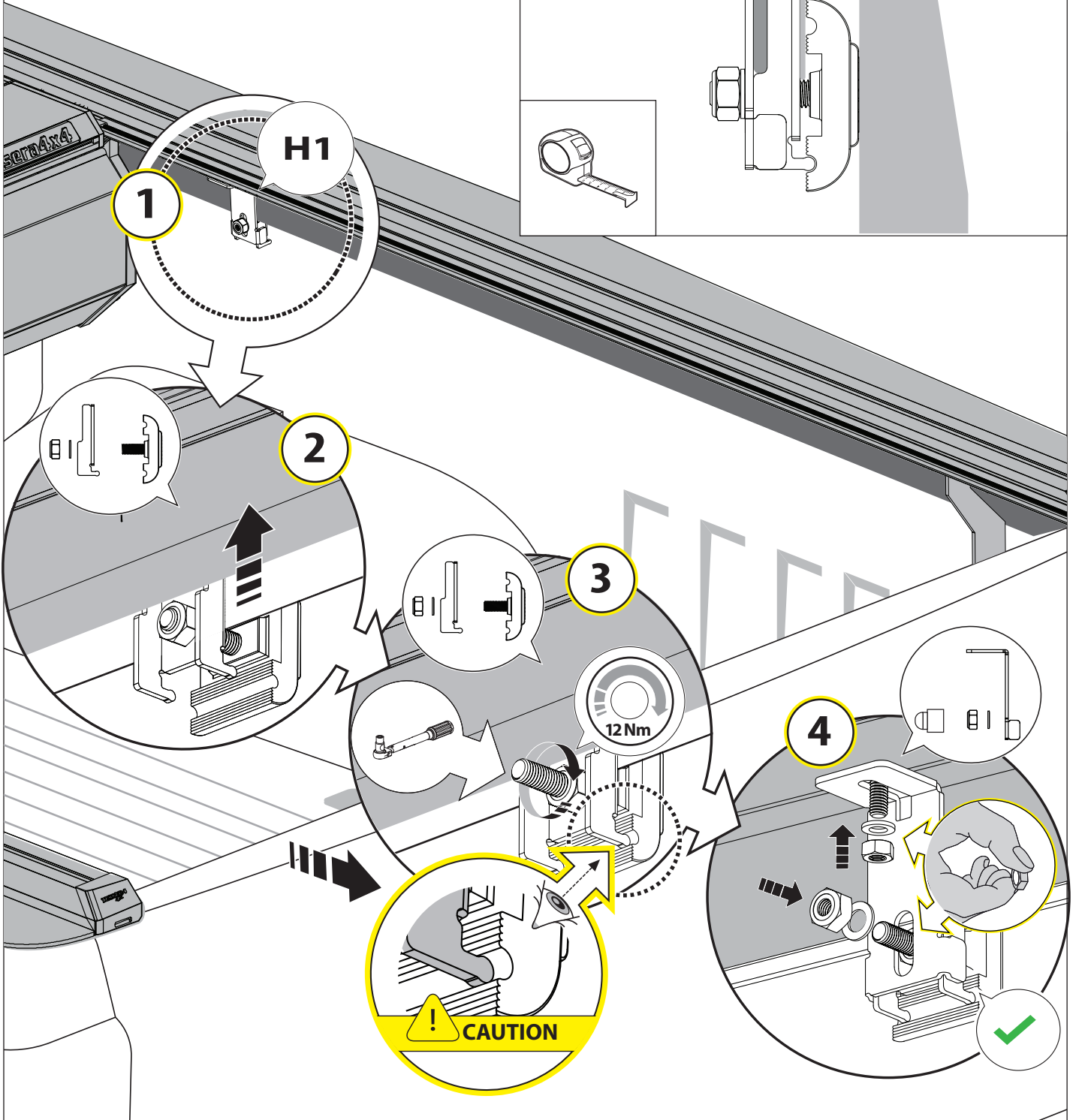
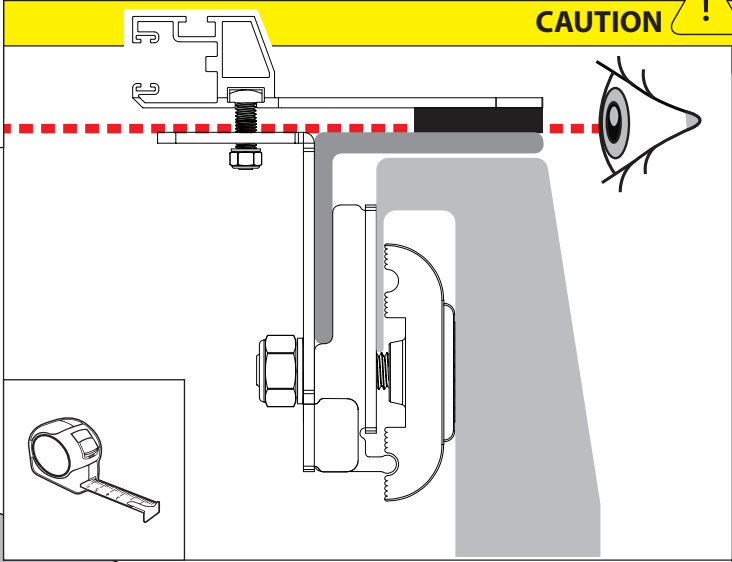
H1

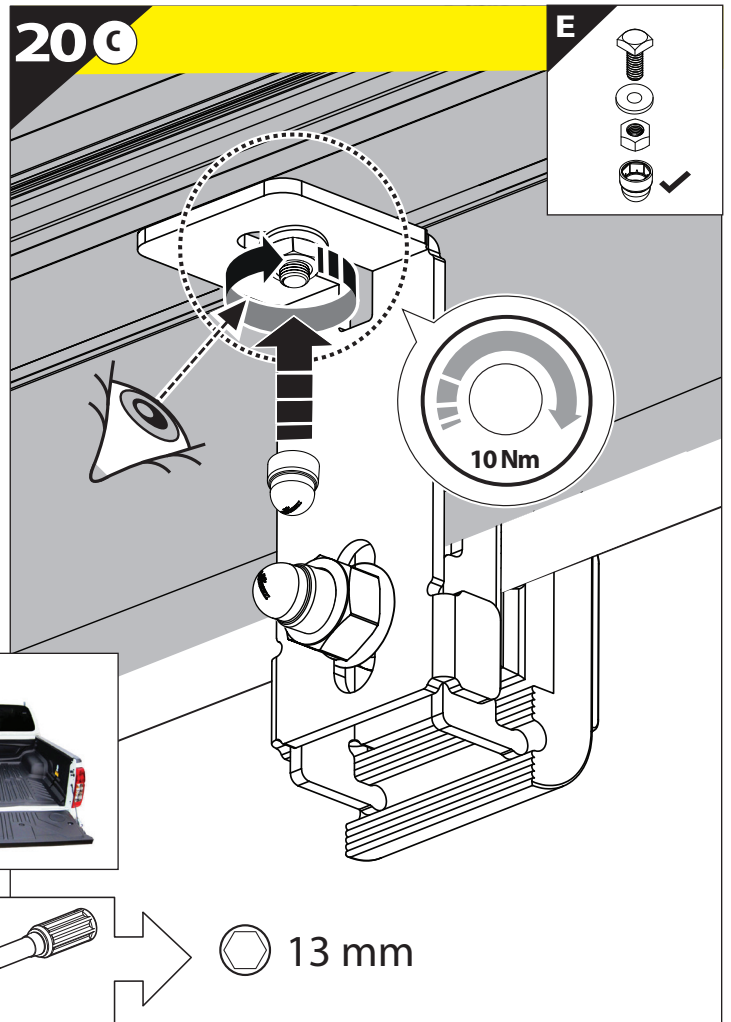
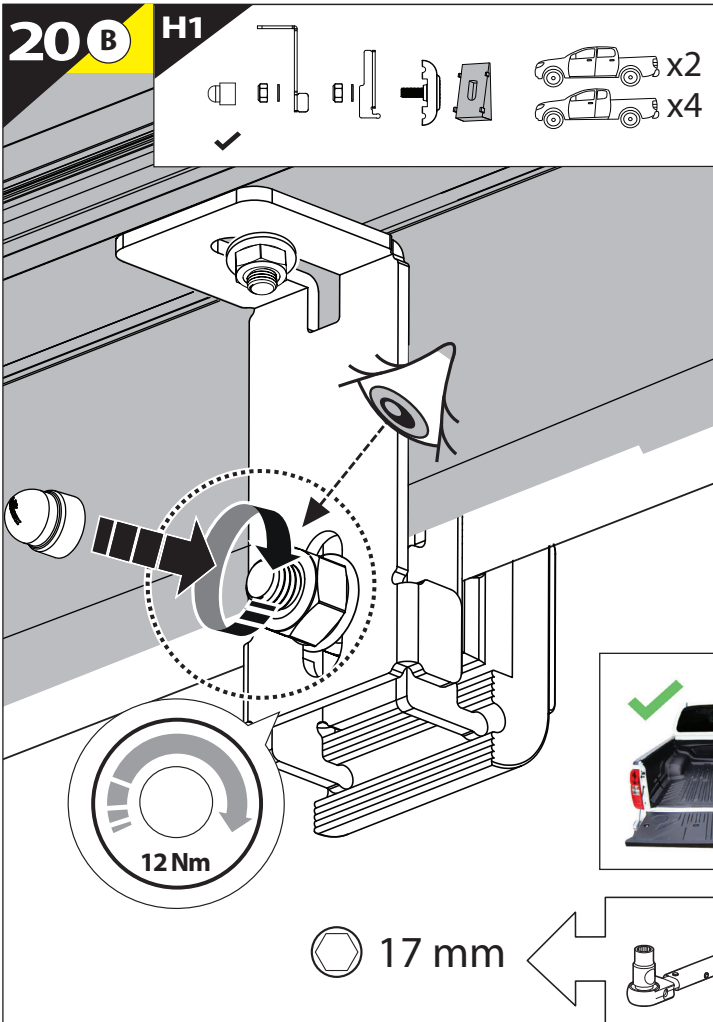


E

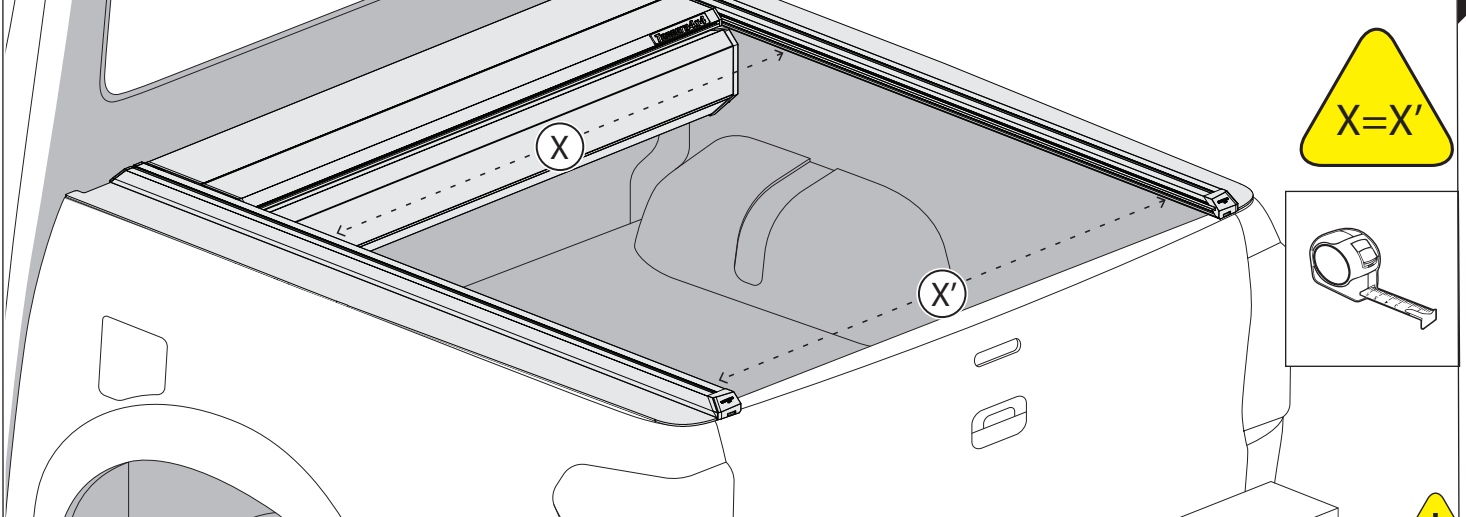


CAUTION

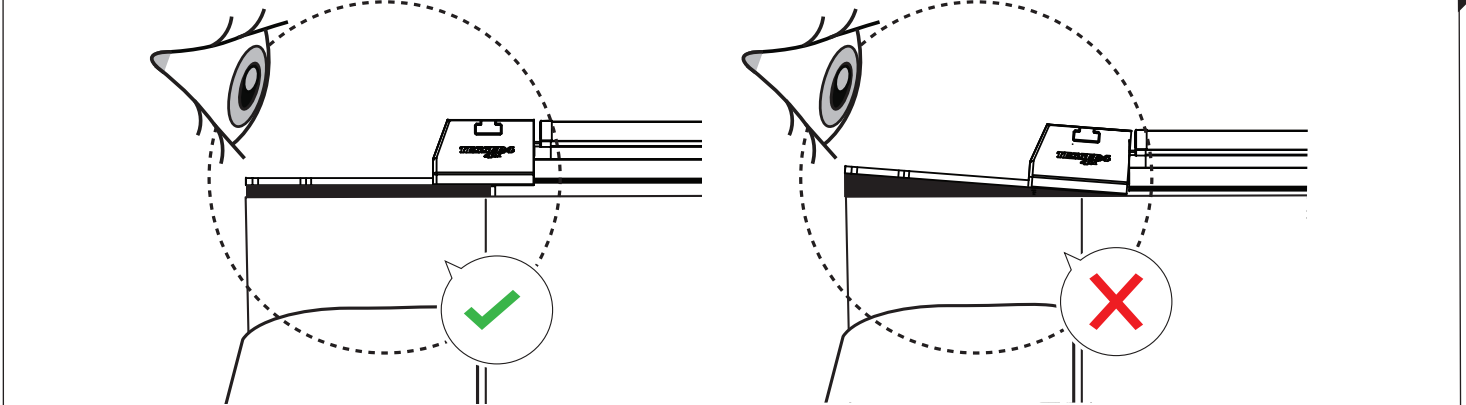




**CAUTION** !



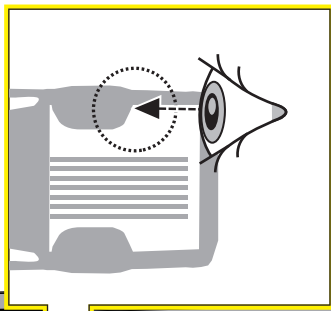
**CAUTION** !



20A

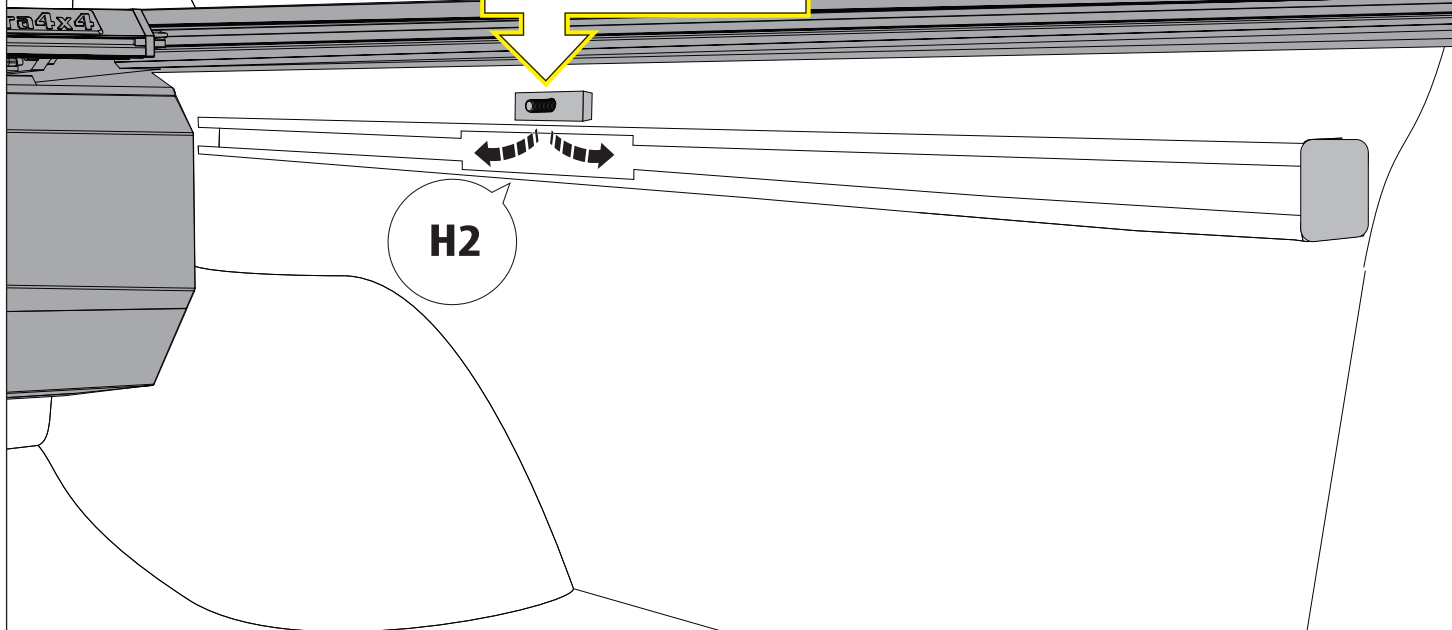


WITH C - CHANNELS

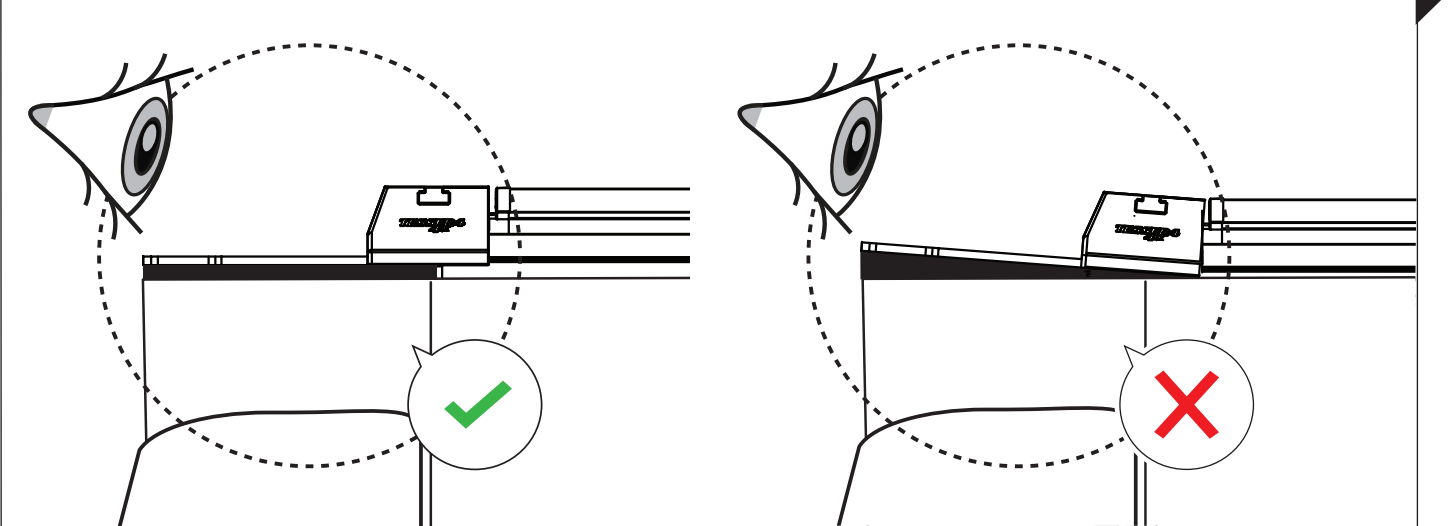
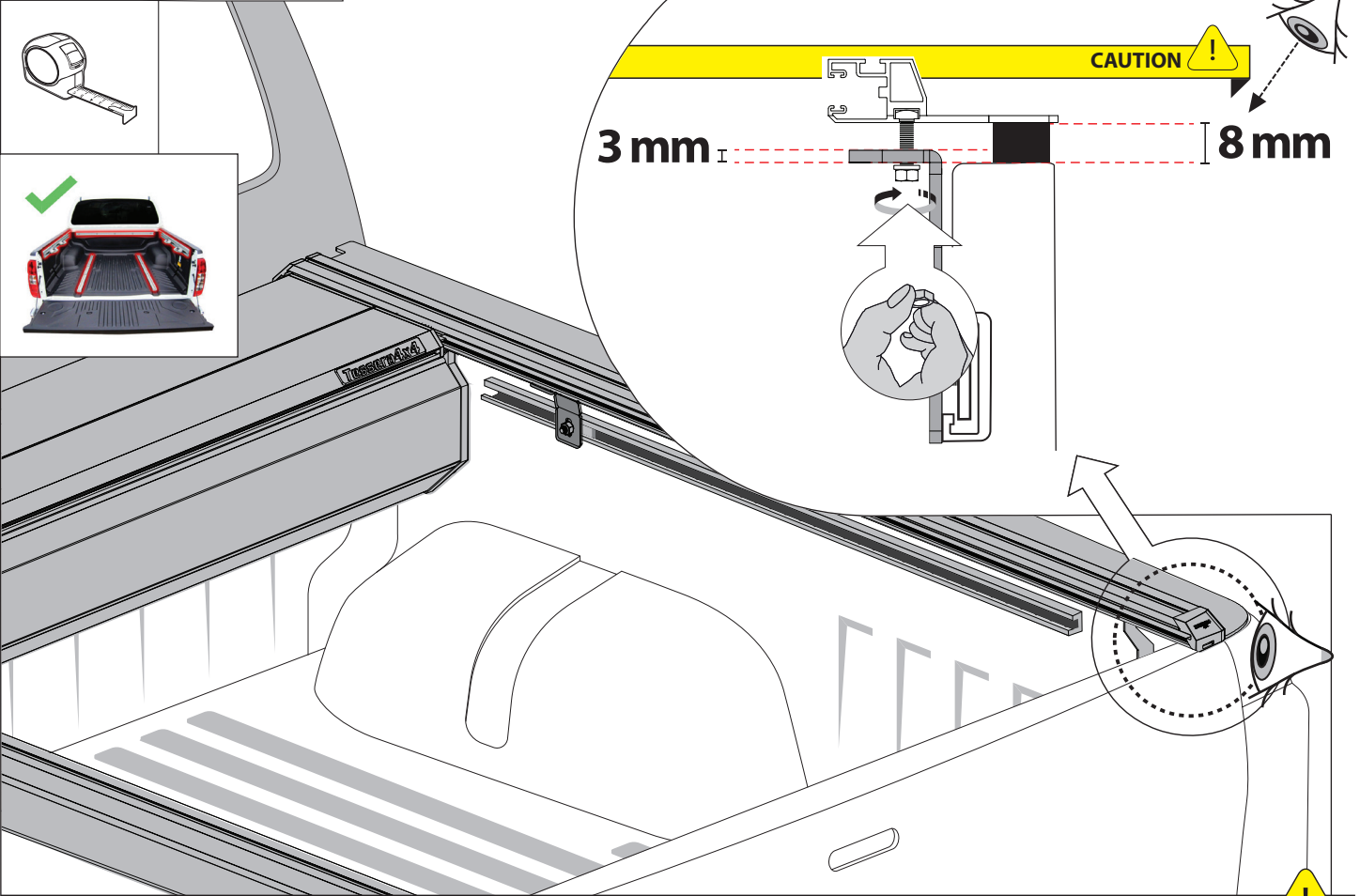
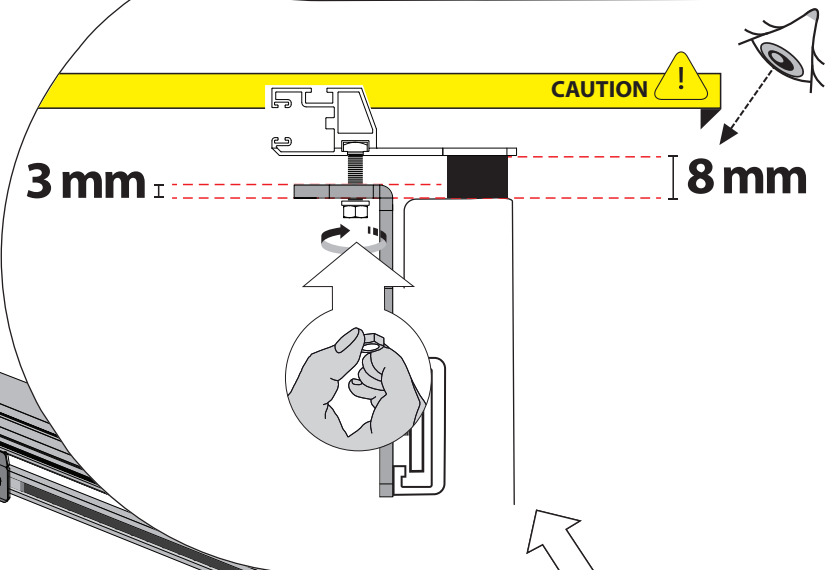
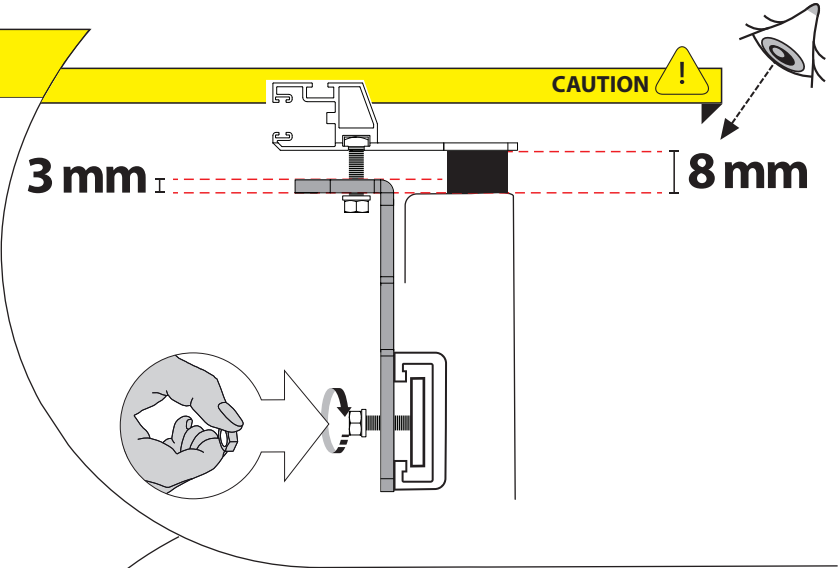
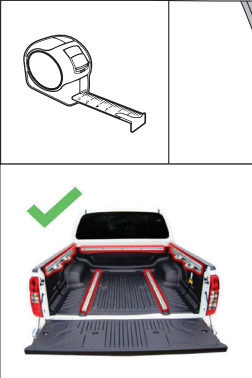
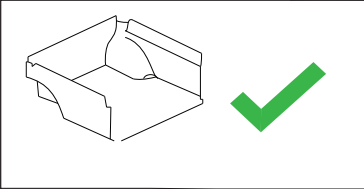
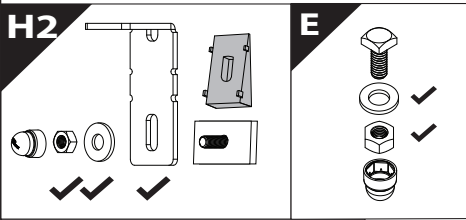


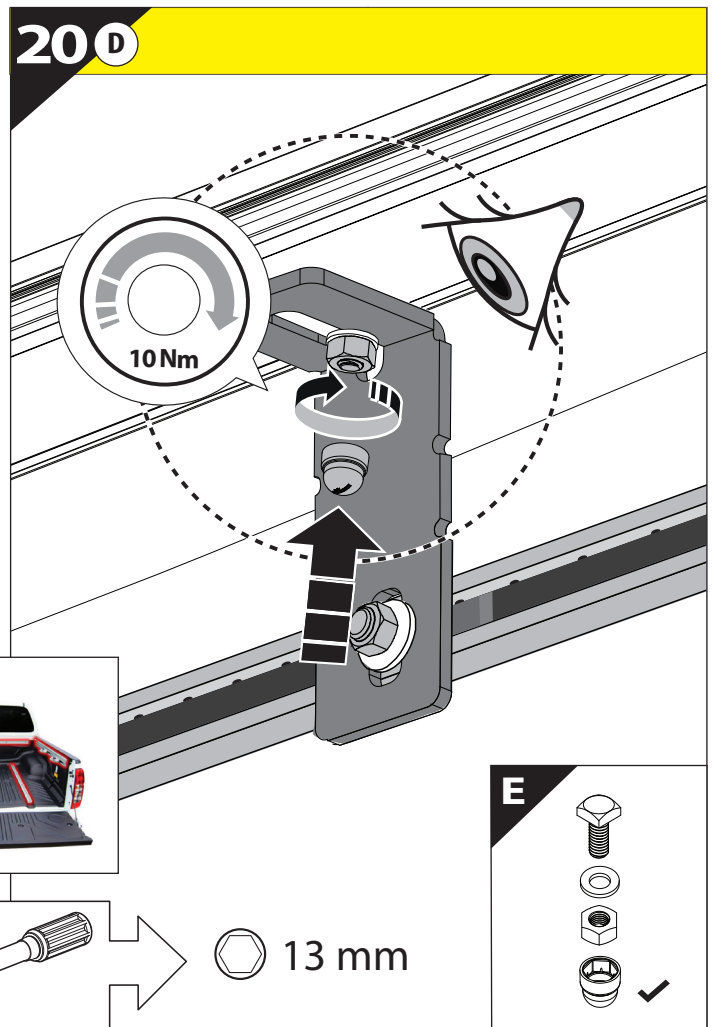
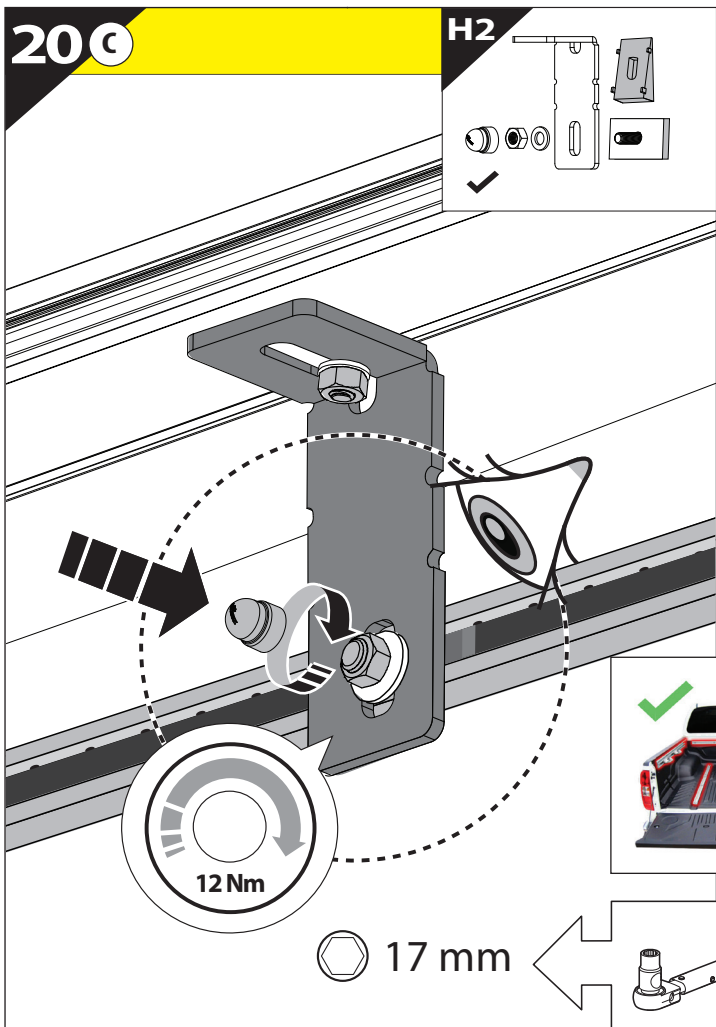
H2

x2  
 x4

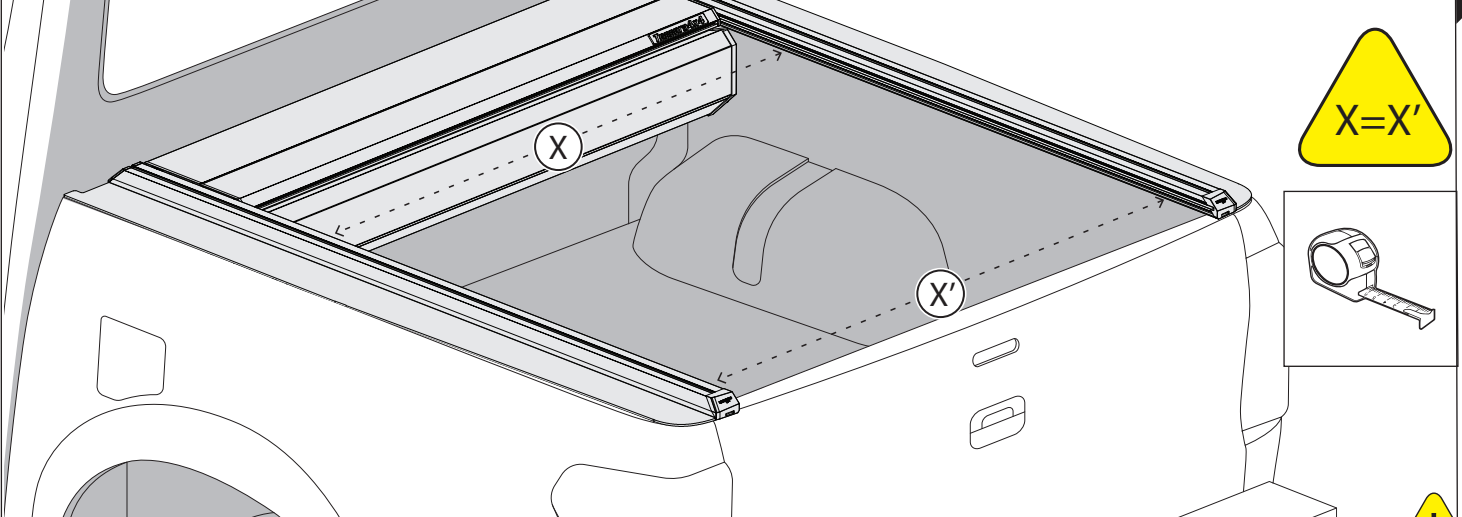


20 B

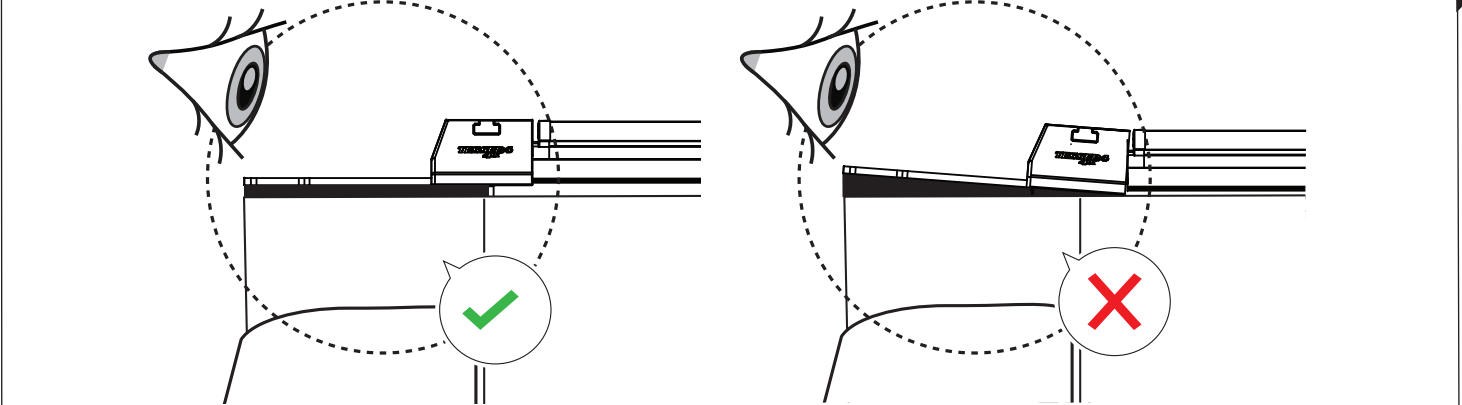


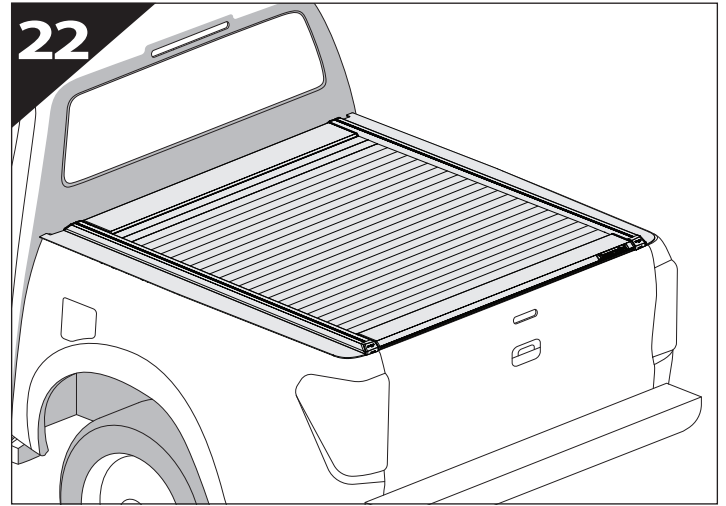
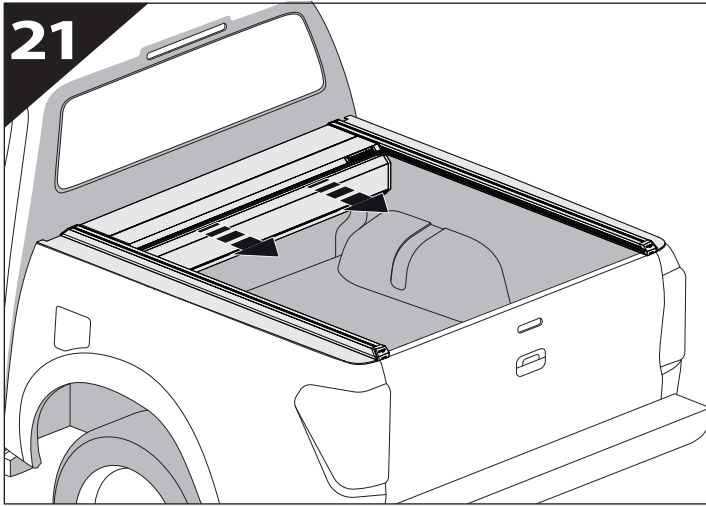


**CAUTION** !



**CAUTION** !





**GR:** Οδηγίες Εγκατάστασης  
**GB:** Installation manual  
**SF:** Asennusohje  
**F:** Notice de montage  
**PL:** Instrukcja montażu  
**NL:** Installatie-instructies  
**TR:** Montaj Talimatı  
**S:** Monteringsanvisning  
**E:** Instrucciones de montaje

**H:** Szerelési utasítás  
**P:** Instruções de instalação  
**RUS:** Инструкция по установке  
**N:** Monteringsveiledning  
**D:** Einbauanleitung  
**CZ:** Návod k instalaci  
**I:** Istruzioni de montaggio  
**DK:** Monteringsvejledning  
**RO:** Instructiuni de instalare

Customer Service:

+30 (210) 5541161, +30 (210) 5541154 (08:00 - 16:00 EET)

Support department:

info@gianso.gr

Website:

www.tessera4x4.com

Address:

19.5 km of National road Athens-Korinthos (Elefsina) Greece, P.C: 19200